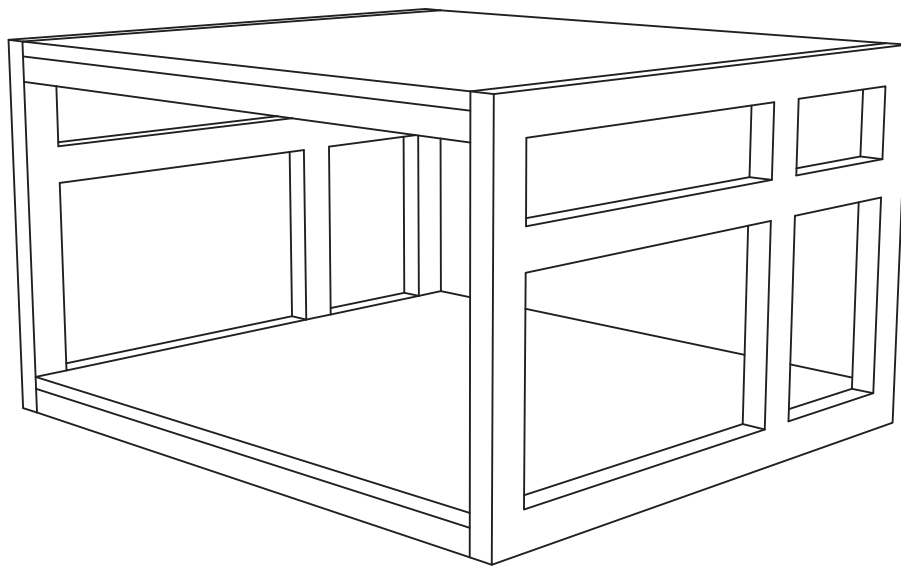


# SQUARE COFFEE TABLE



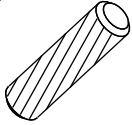




## **ASSEMBLY INSTRUCTIONS**

---

We have designed our furniture with you , the customer in mind . Our clear , easy to follow , step by step instructions will guide you through the project from start to finish .  
Feel confident that this will be a fun and rewarding project . The final product will be a quality piece of furniture that will go together smoothly and give years of enjoyment .

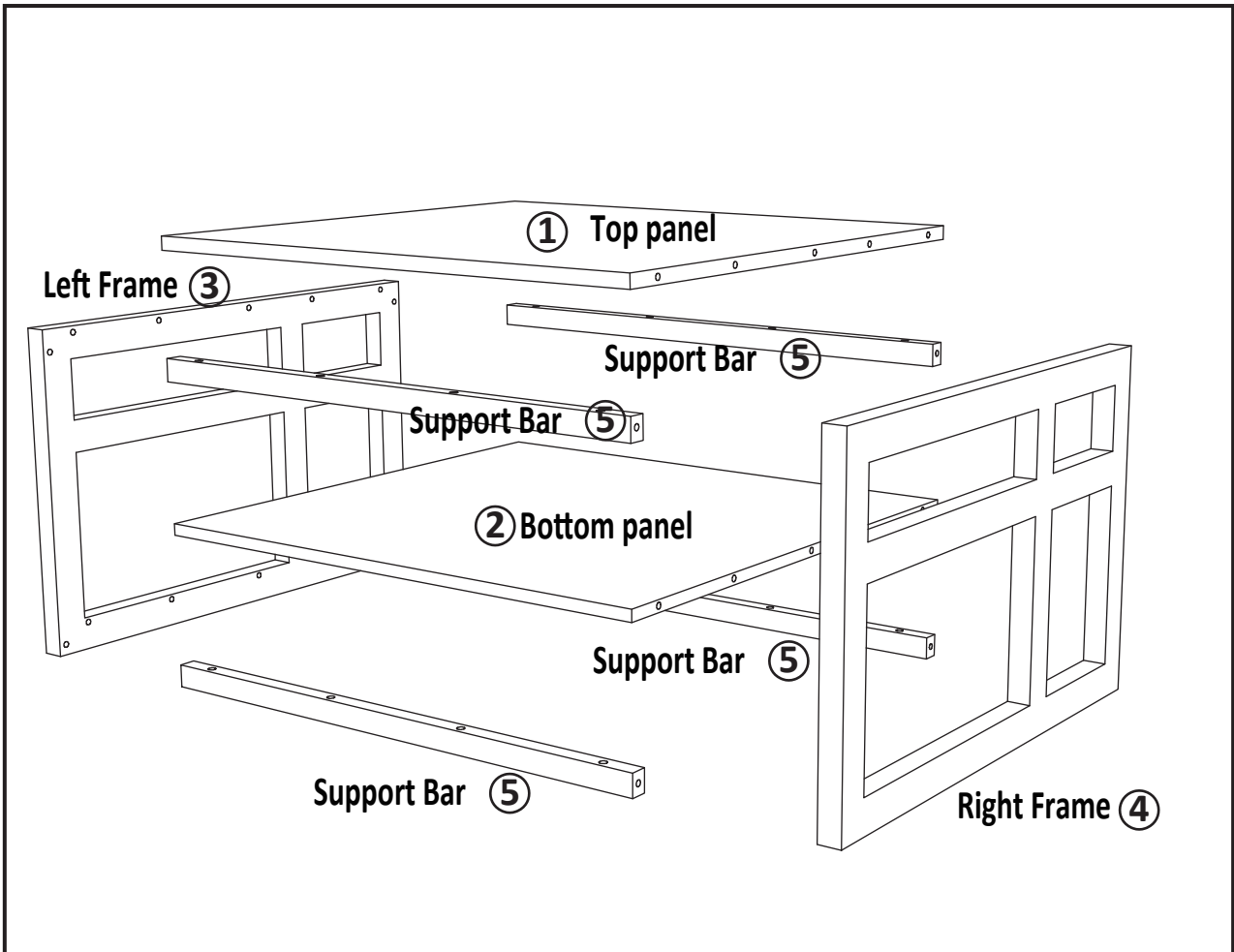
---

## Hardware List

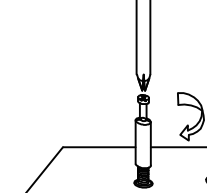
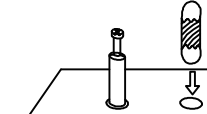
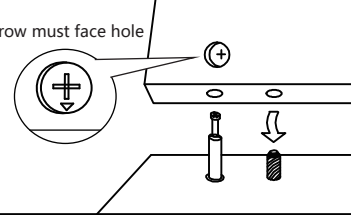
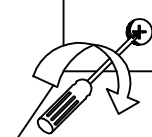
<b>A</b> 	<b>B</b> 	<b>C</b> 	<b>D</b> 	<b>E</b> 
Wood Dowel (16pcs)	Cam Bolt ( 12pcs )	Cam Lock (12pc)	Screw (16pc)	Glue (1pc)
				Glue : For securing please apply to wood dowel first before inserting into panel .

## Panel List

**\*Please count and verify all parts before assembly .\***



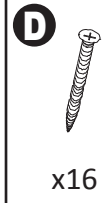
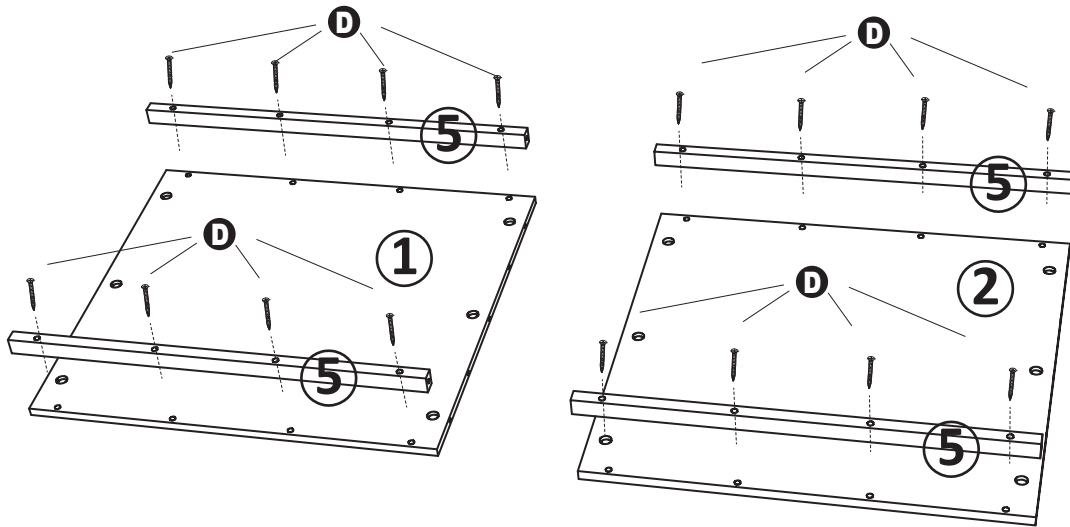
## Assembling the unit with camlocks and wood dowels.

		 <small>Arrow must face hole</small>	
Gently screw cambolt into the threaded anchor.	Lightly glue one end of the wood dowel and tap halfway into hole.	Lightly glue wood dowel and connect to second panel by inserting dowels into holes.	Screw the camlock firmly into locked position.

## Step 1

\*Assemble unit on carpet or flat surface.

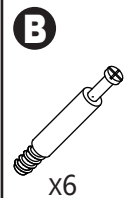
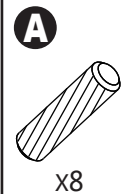
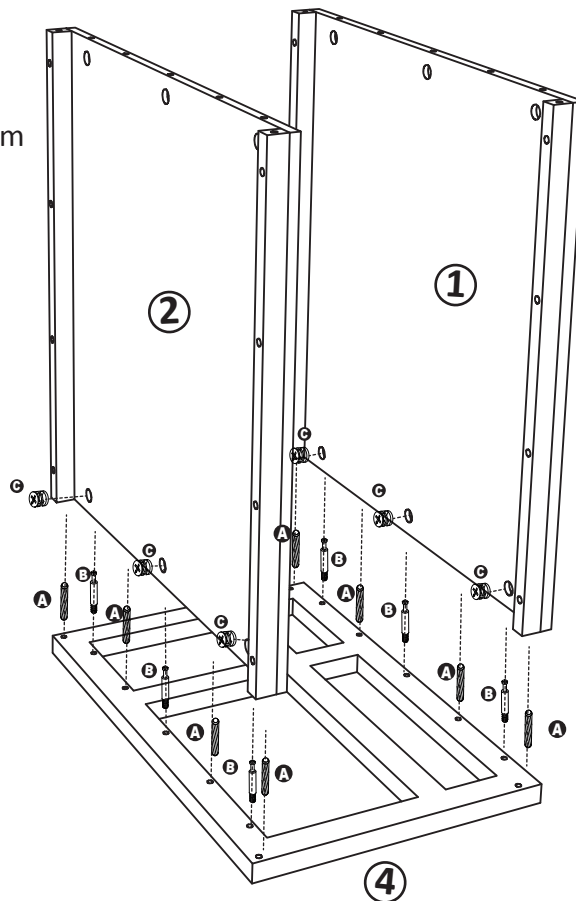
1. Connect Support Bars (5) to Top Panel (1) using Screws (D) as shown.
2. Connect Support Bars (5) to Bottom Panel (2) using Screws (D) as shown.



## Step 2

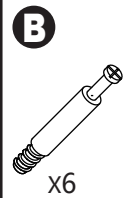
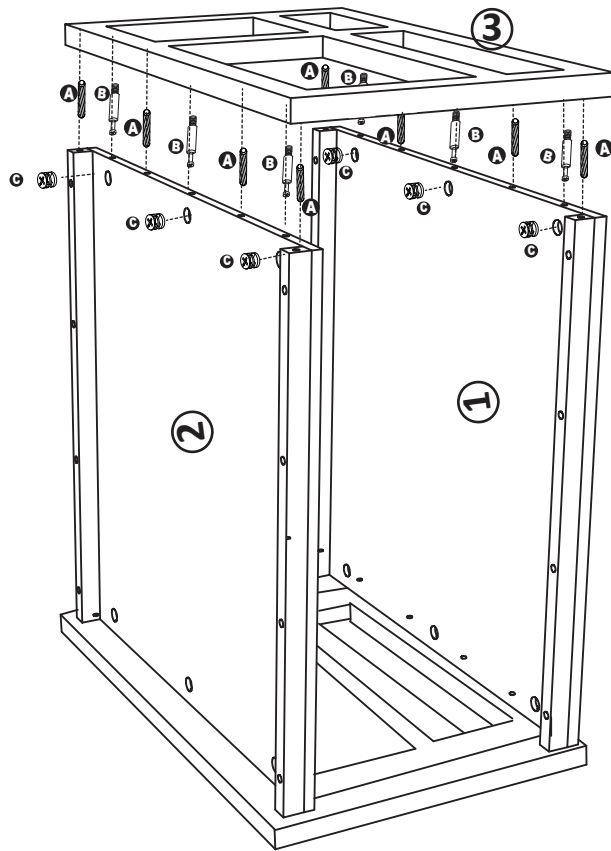
\*Assemble unit on carpet or flat surface.

1. Insert Cam Locks (C) and Wood Dowels (A) into Top Panel (1) and Bottom Panel (2).
2. Screw Cam Bolts (B) into Right Frame (4).
3. Connect Top Panel (1) and Bottom Panel (2) to Right Frame (4) by gently tightening Cam Locks (C).



## Step 3

1. Insert Cam Locks (C) and Wood Dowels (A) into Top Panel ① and Bottom Panel ②.
2. Screw Cam Bolts (B) into Left Frame ③.
3. Connect Left Frame ③ to unit by gently tightening Cam Locks (C).



## Step 4

1. Enjoy.

