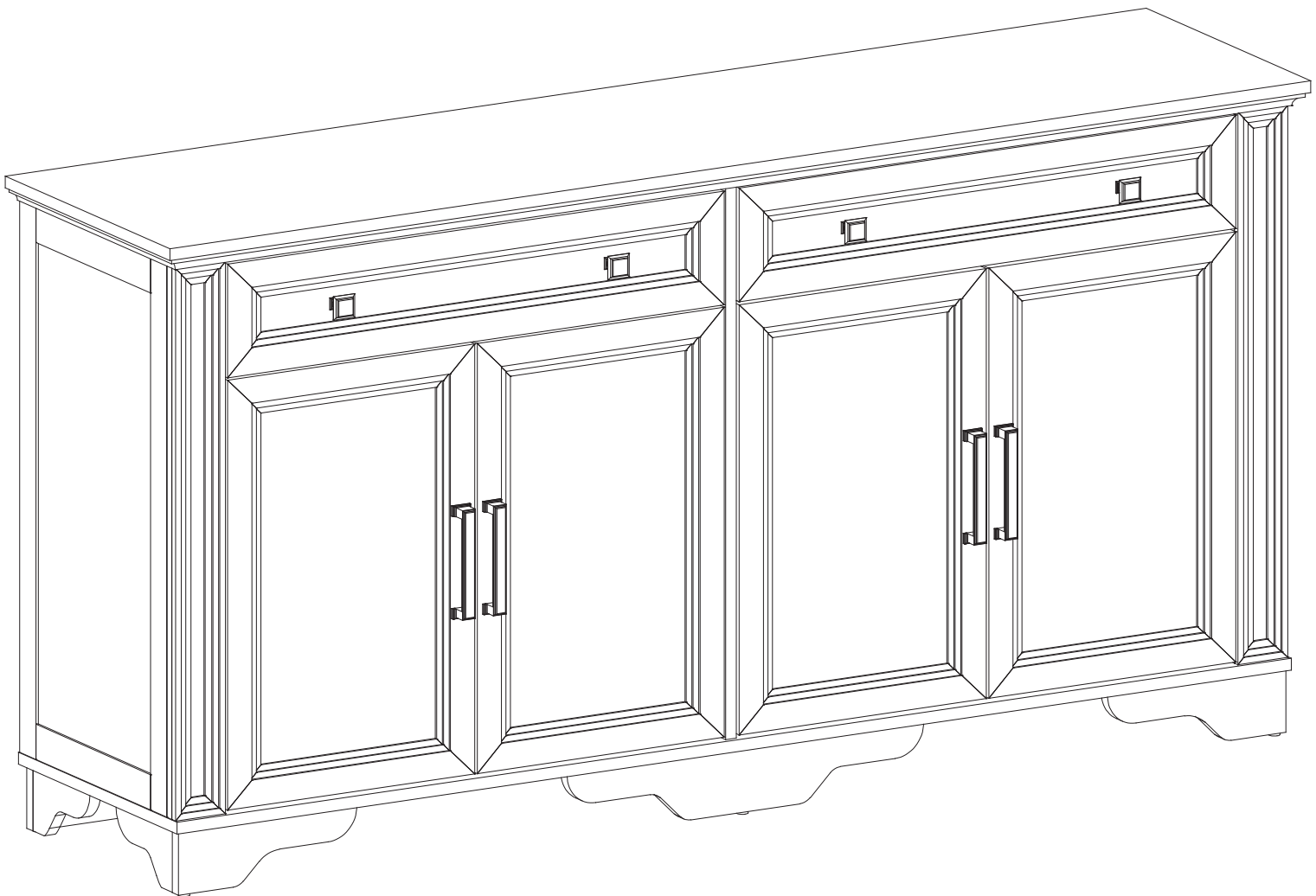


Sideboard Cabinet

Assembly Instruction



INTRODUCTION

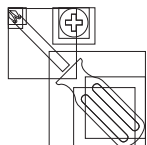
Thank you for purchasing our products. Please read the instructions carefully before installation and keep it in a safe place for future reference. If you need any assistance or support, please feel free to contact our customer support team.

PRECAUTIONS

1. There are many components and accessories in the package. Each component and accessory is labeled with a letter or a number, check carefully before using any of them. Keep them away from children to prevent accidents.
2. Please install the product on a clean and soft underlay (such as carpet or cardboard) to avoid scratching or damaging the surface of the product.
3. The main components of the product is relatively heavy. Please pay attention to safety during installation.
4. The product is not stable during installation. Please do not move it randomly before it is completely installed.
5. If you have any questions during installation, please contact the customer service in time.

* PLEASE BE SURE TO FOLLOW THE INSTALLATION STEPS IN THE MANUAL TO AVOID UNNECESSARY LOSSES CAUSED BY IMPROPER INSTALLATION.

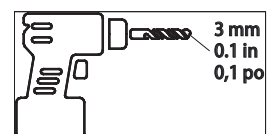
* IF YOU NEED FURTHER ASSISTANCE, PLEASE CONTACT THE CUSTOMER SERVICE ONLINE.



Phillip Screwdriver



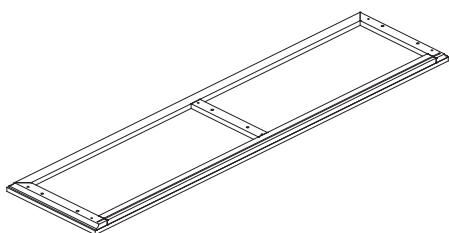
Stud Finder



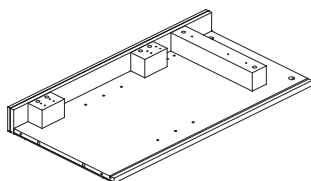
Power Drill

Additional Tools Required (not included) / Outils additionnels requis (non inclus) / Herramientas adicionales requeridas (no incluidas)

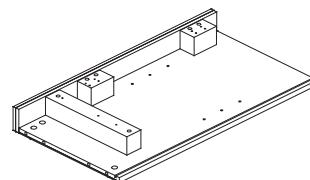
Parts List



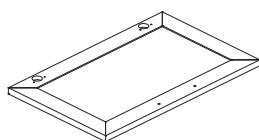
① 1pc



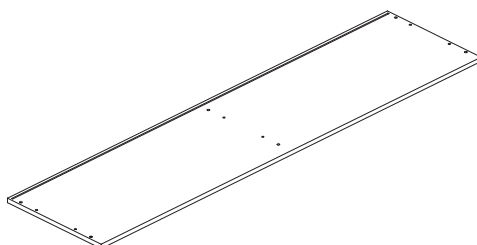
② 1pc



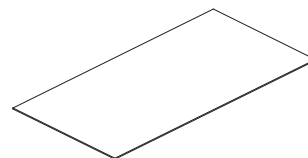
③ 1pc



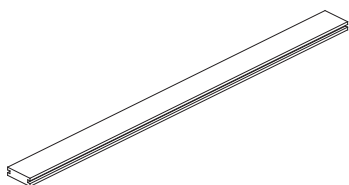
④ 4pcs



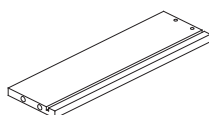
⑤ 1pc



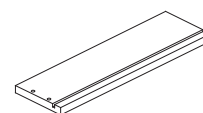
⑥ 4pcs



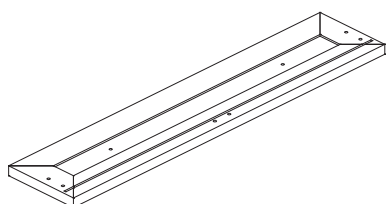
⑦ 2pcs



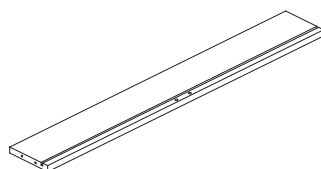
⑧ 2pcs



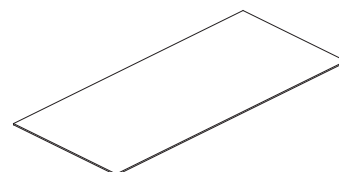
⑨ 2pcs



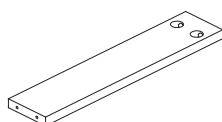
⑩ 2pcs



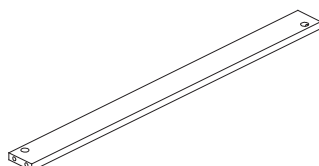
⑪ 2pcs



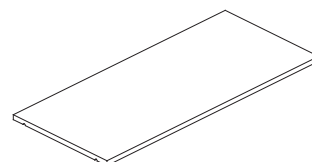
⑫ 2pcs



⑬ 2pcs

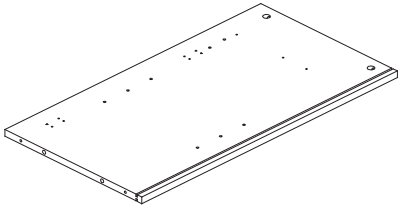


⑭ 2pcs

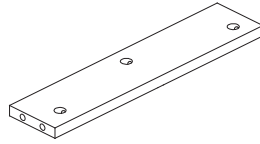


⑮ 2pcs

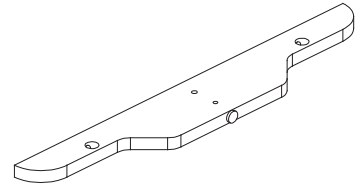
Parts List



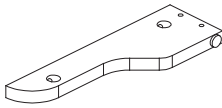
⑩ 1pc



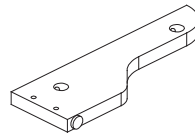
⑪ 1pc



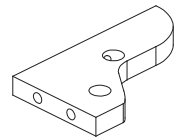
⑫ 1pc



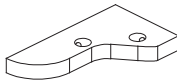
⑬ 1pc



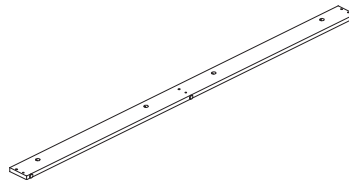
⑭ 1pc



⑮ 2pcs

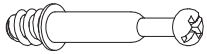

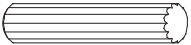



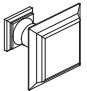
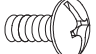



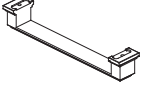
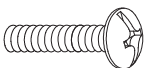

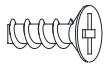
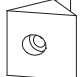




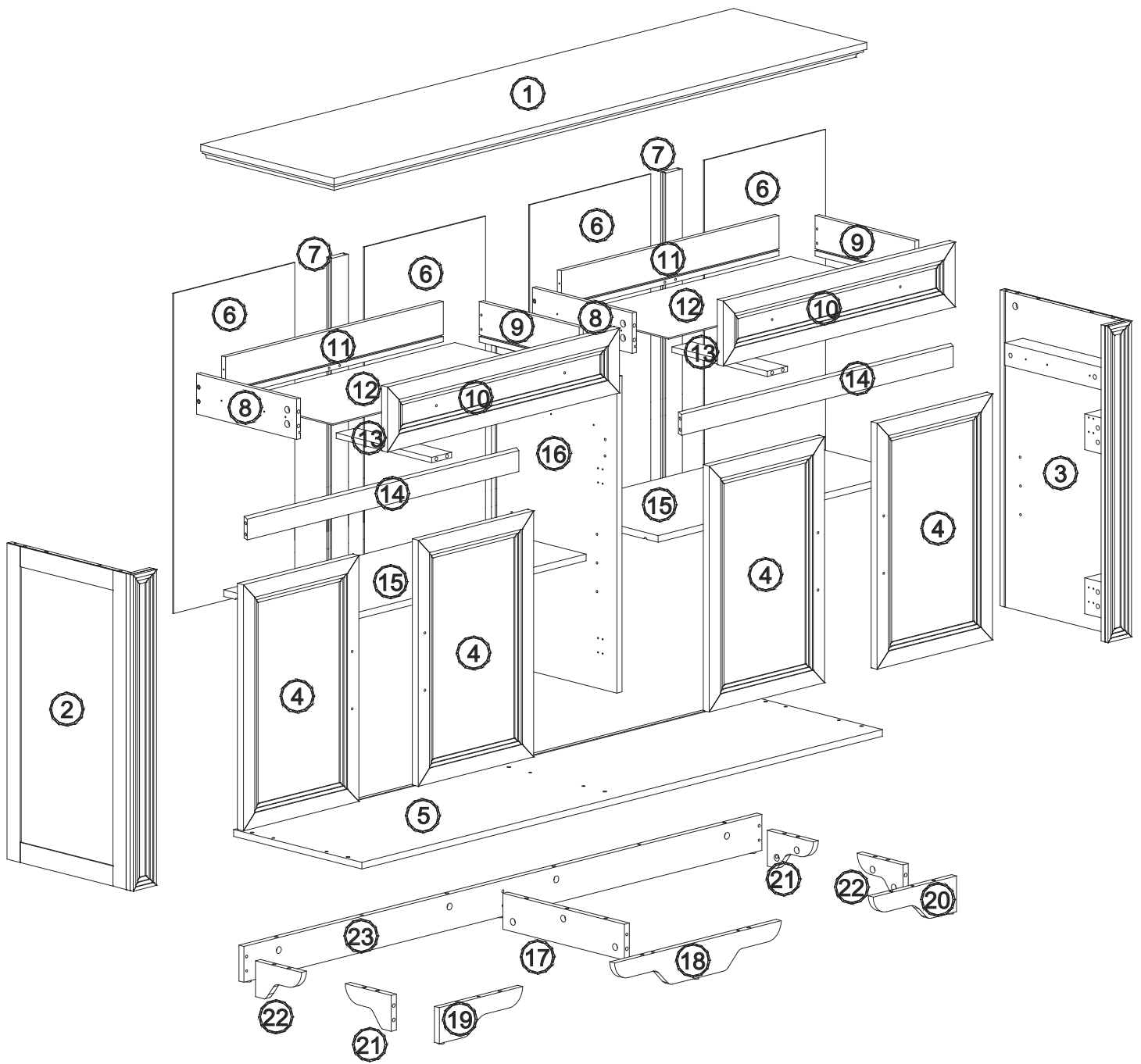
⑯ 2pcs



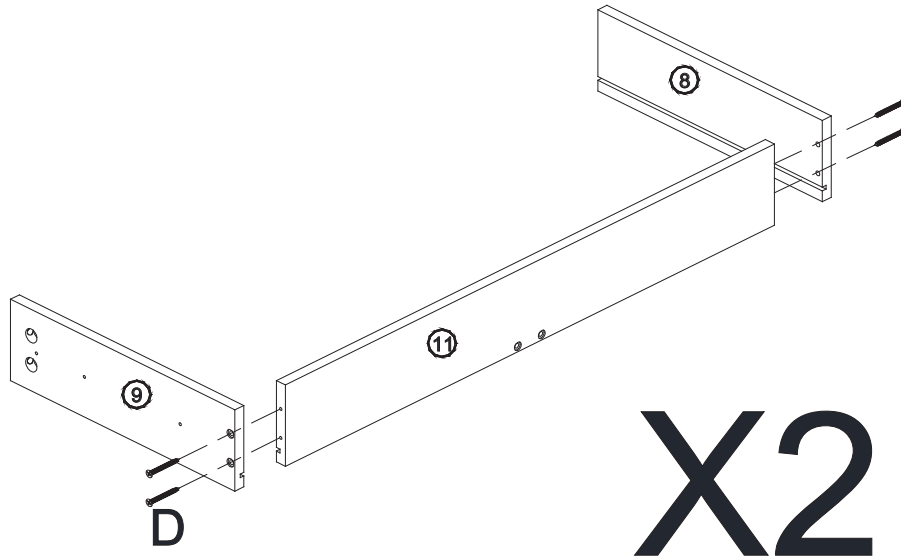
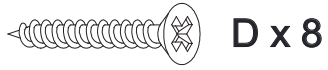
⑰ 1pc

Hardware List

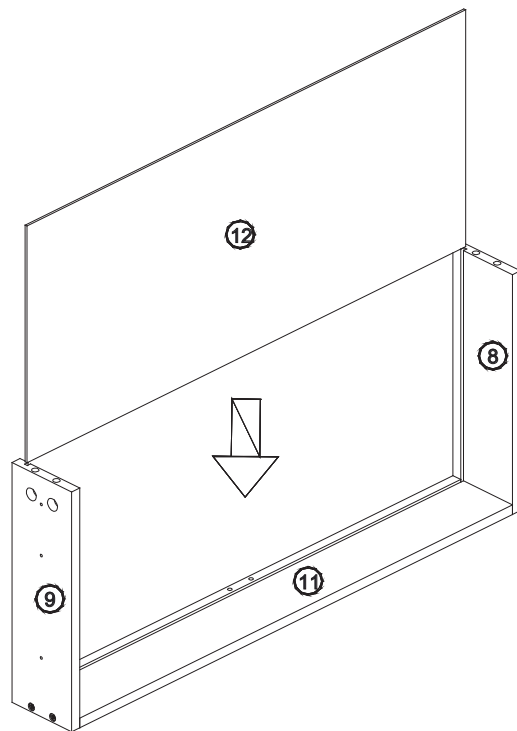
A	x47	B	x47	C	x30	D	x12	E	x4
									
Ø6*36mm		Ø15*9.5mm		Ø8*30mm		Ø4*38mm			
F	x24	G	x4	H	x4	I	x6	J	x1
									
Ø3*12mm				ØM4*8mm		6*40mm		Ø4*106mm	
K	x2	L	x4	M	x8	N	x8	O	x48
									
				M4*20mm				3.5*15mm	
P	x16	Q	x16	R	x8				
									
		Ø2.5*16mm							



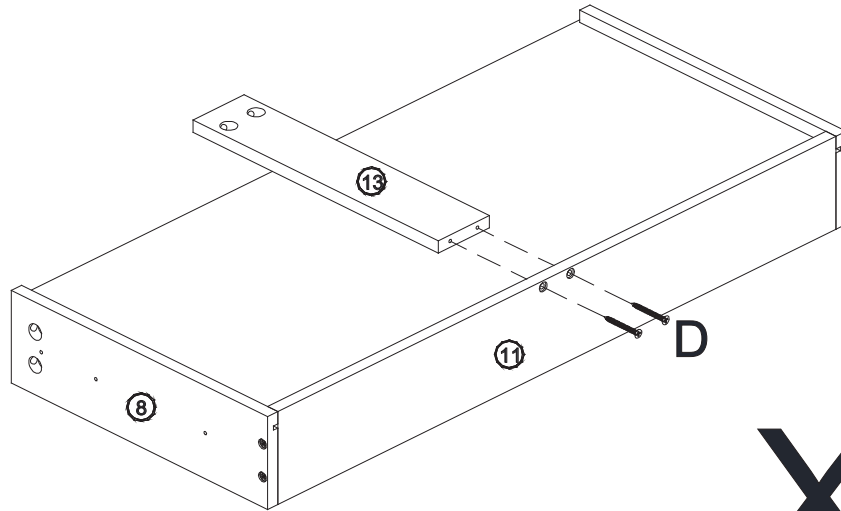
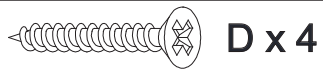
STEP 1



STEP 2

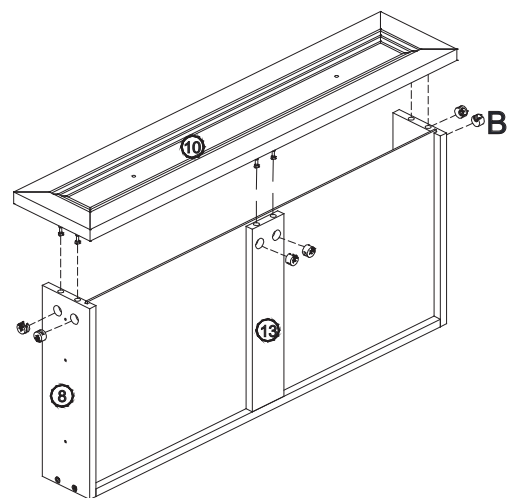
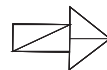
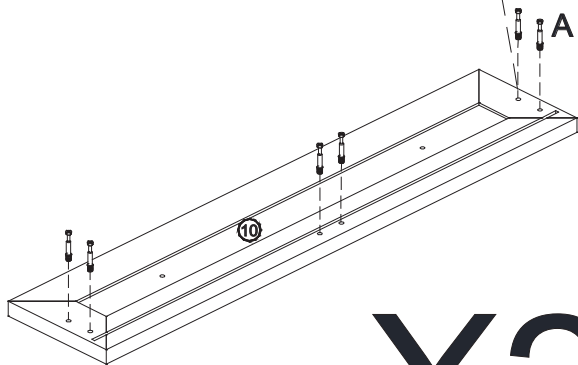
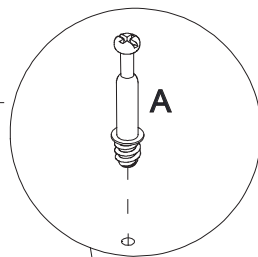
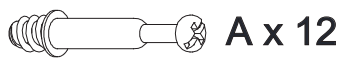


STEP 3

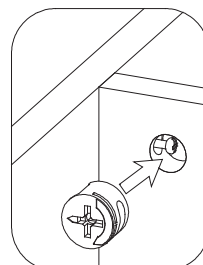


X2

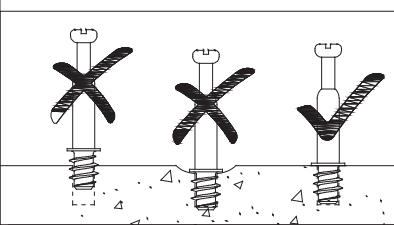
STEP 4



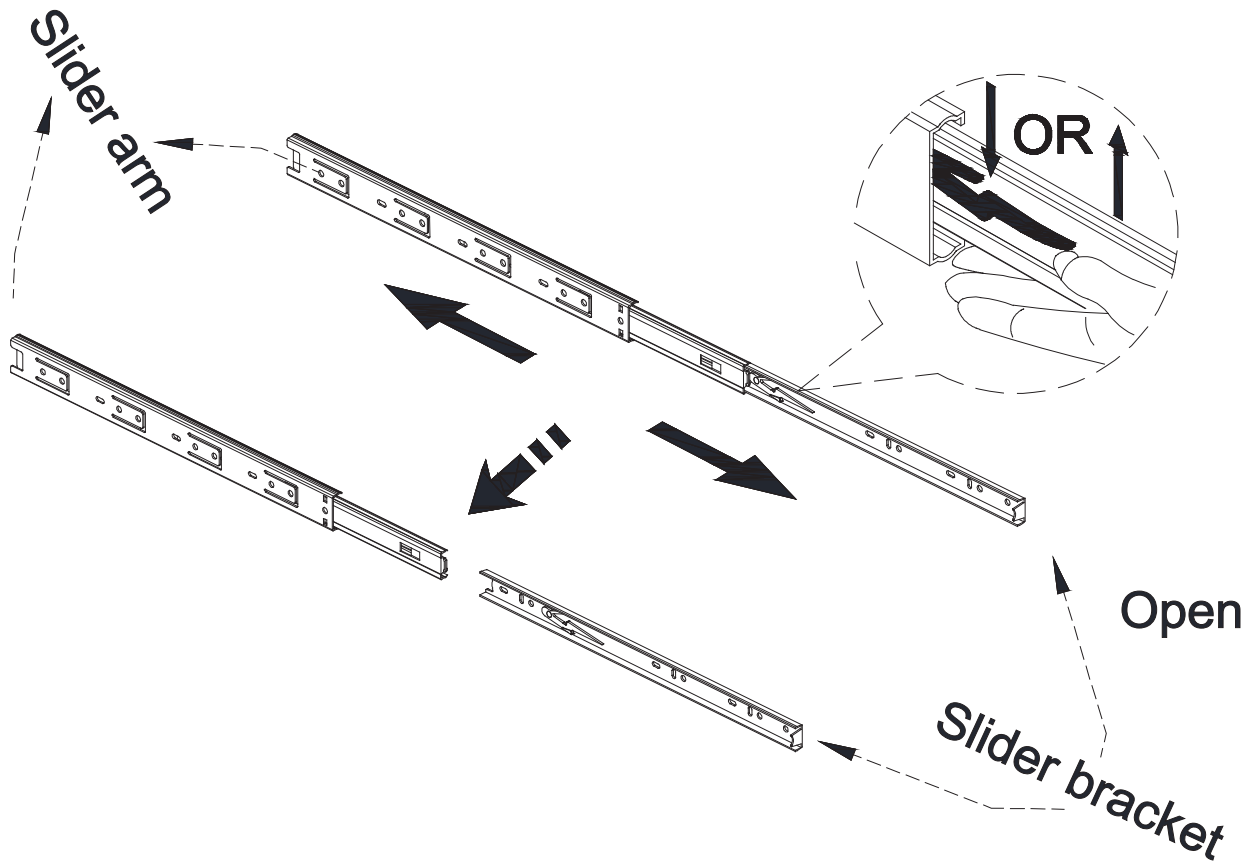
X2





X2



STEP 5

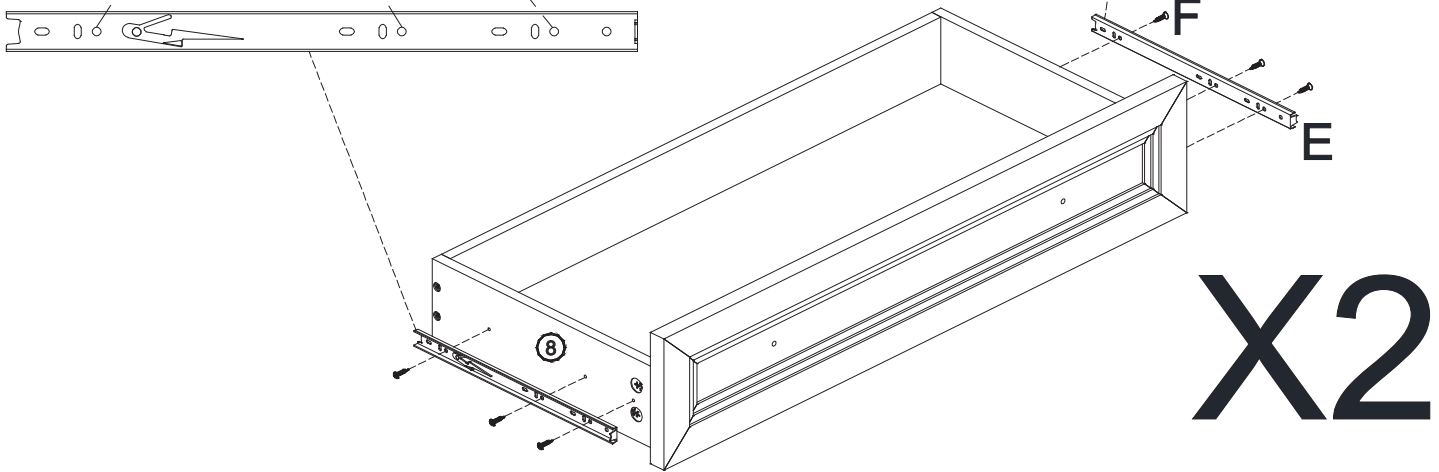


STEP 6

	E x 4
	F x 12

Mounting Hole

Mounting Hole



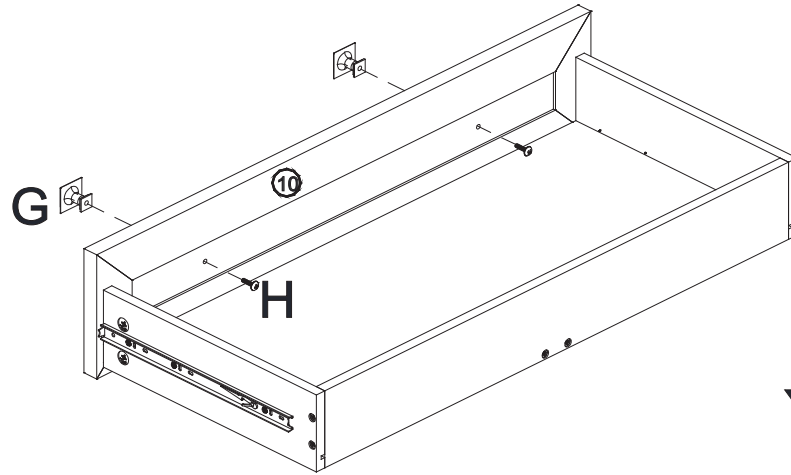
STEP 7



G x 2



H x 4



X2

STEP 8



E x 2

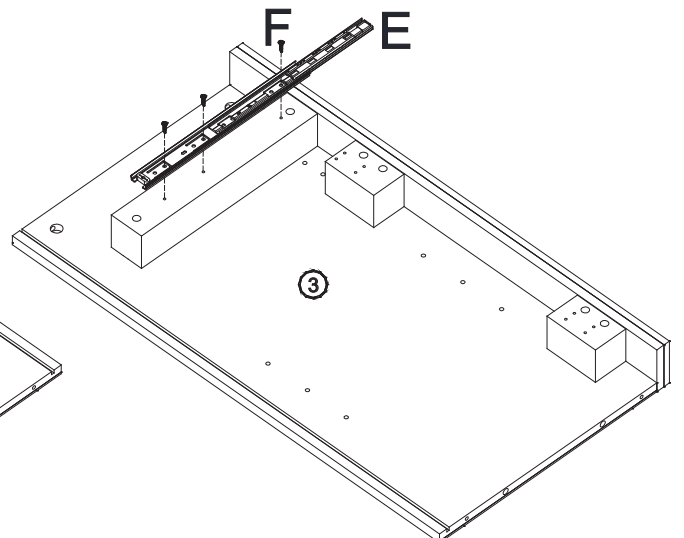
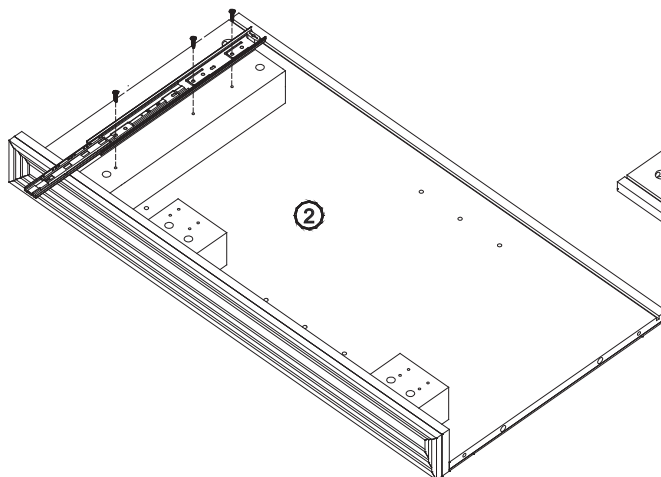
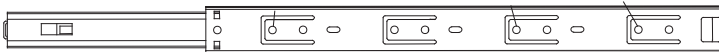


F x 6

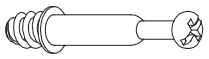
Mounting Hole



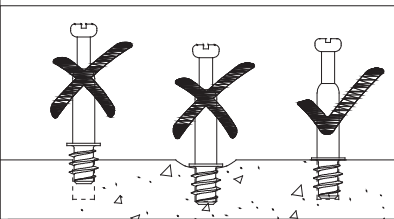
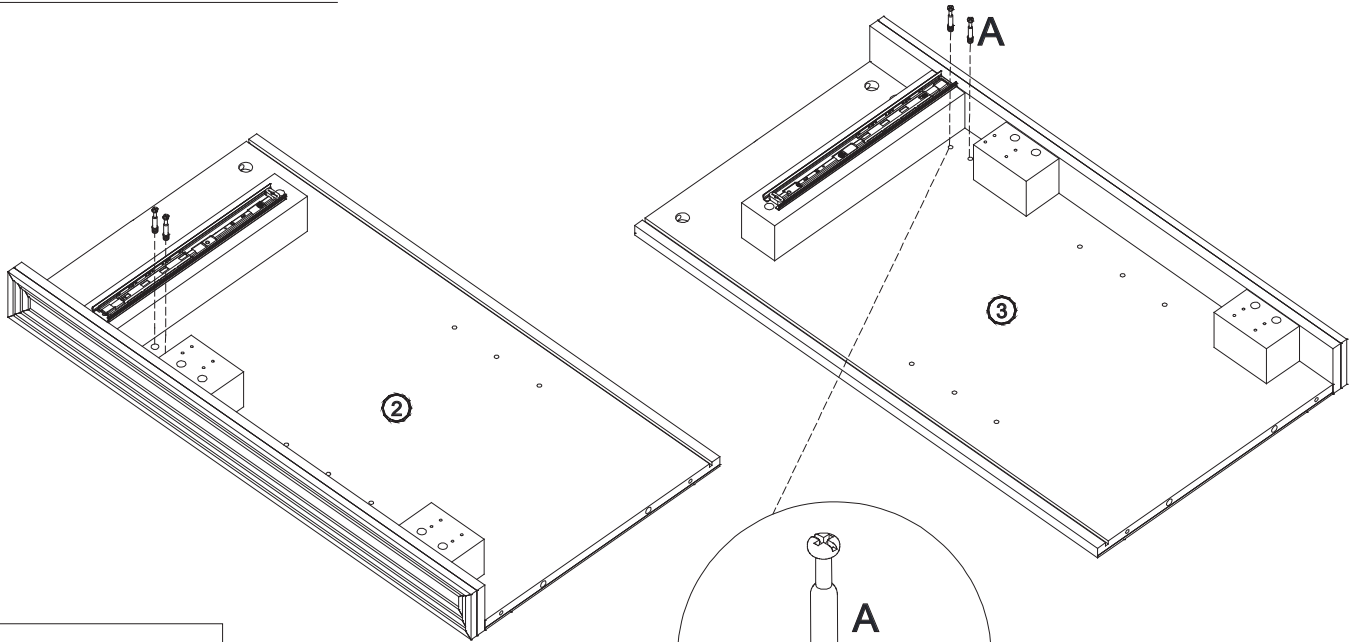
Mounting Hole




STEP 9



A x 4

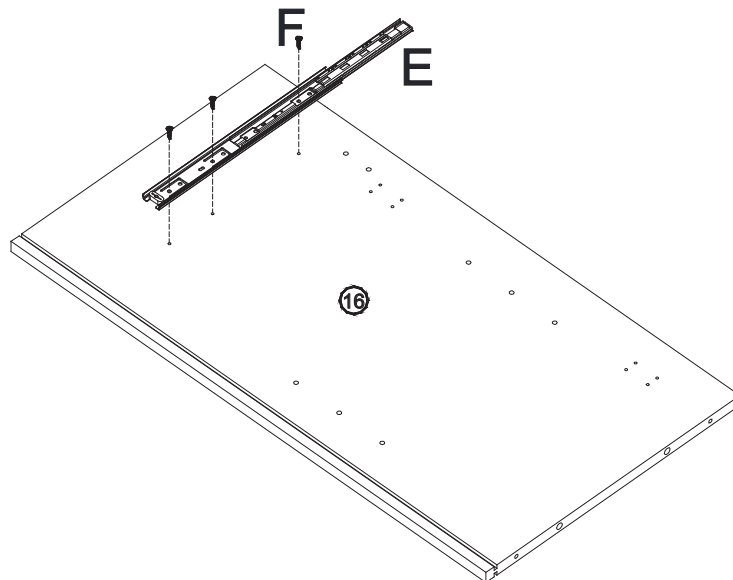


STEP 10

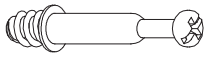
 E x 1

 F x 3

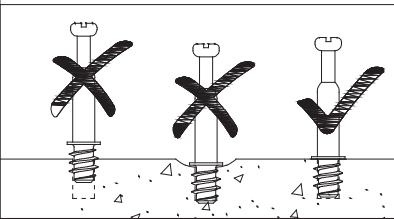
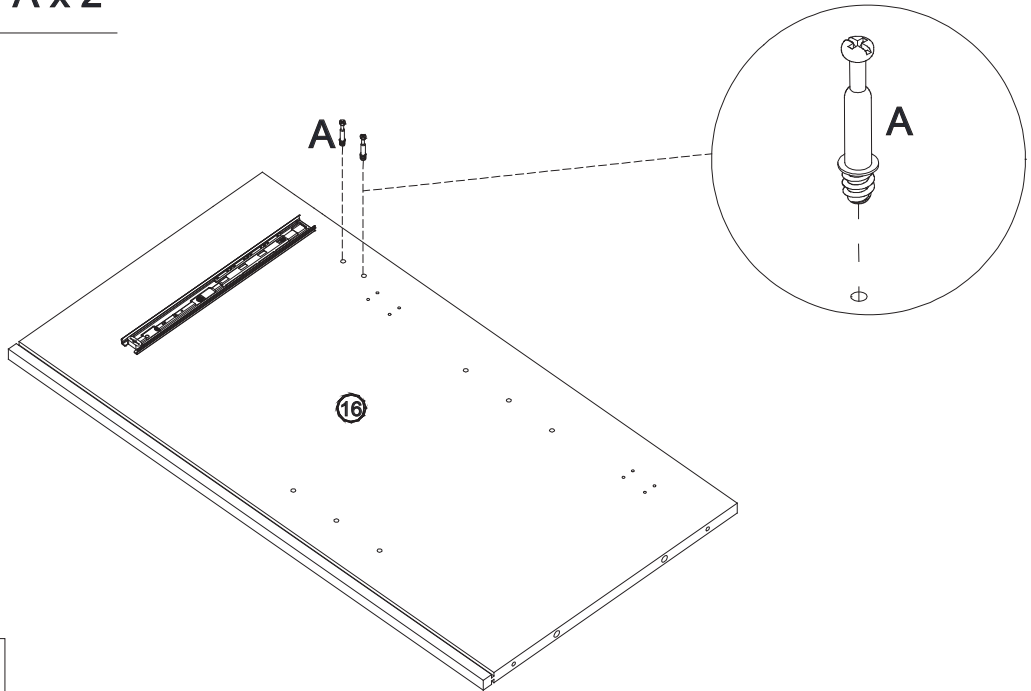
Mounting Hole



STEP 11



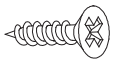
A x 2



STEP 12

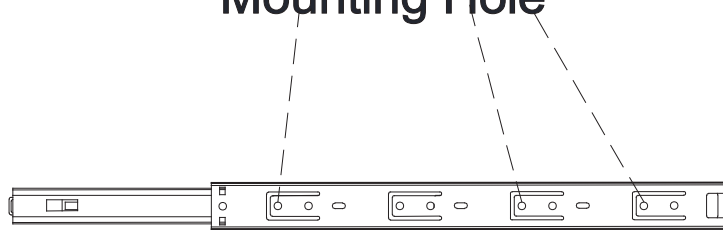


E x 1

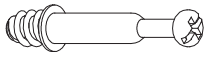


F x 3

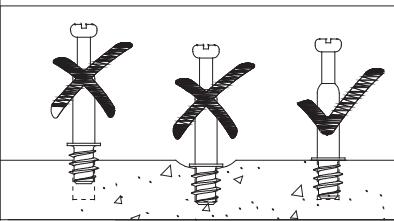
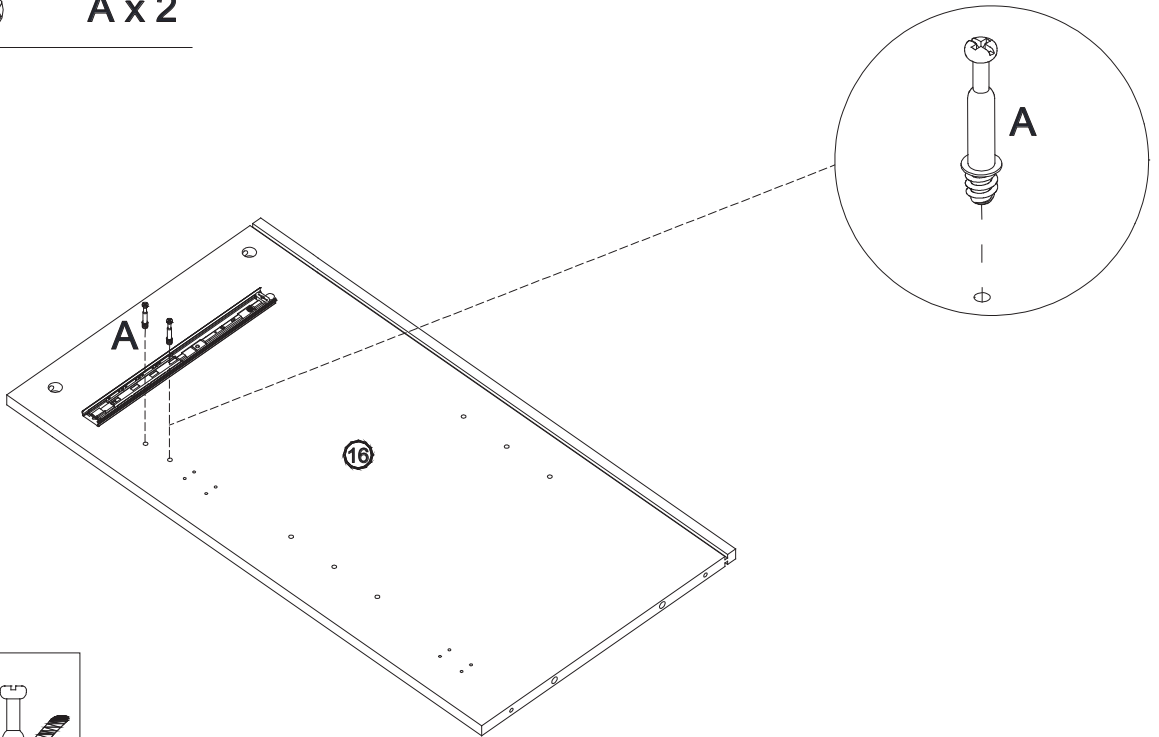
Mounting Hole



STEP 13



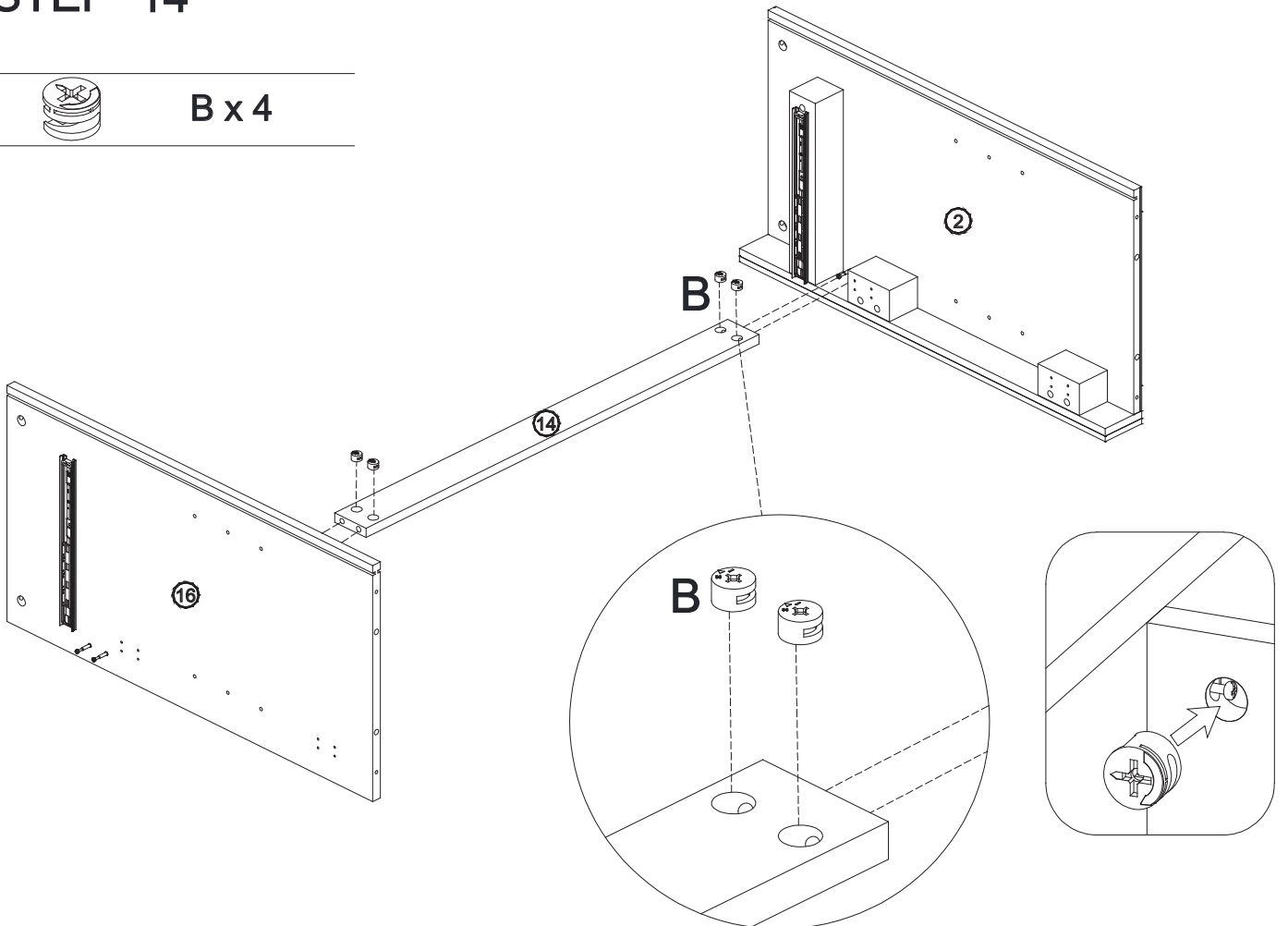
A x 2



STEP 14



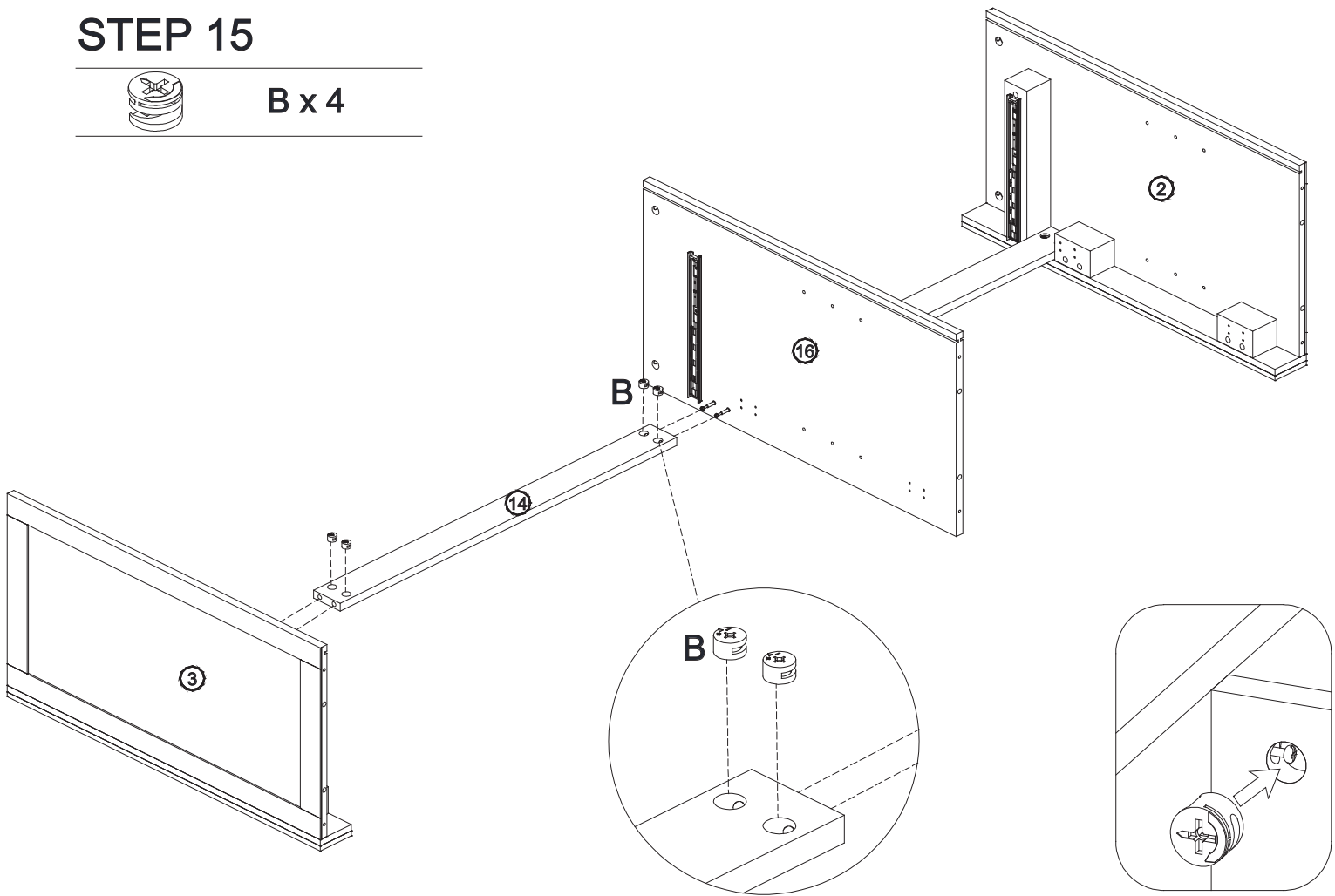
B x 4



STEP 15



B x 4

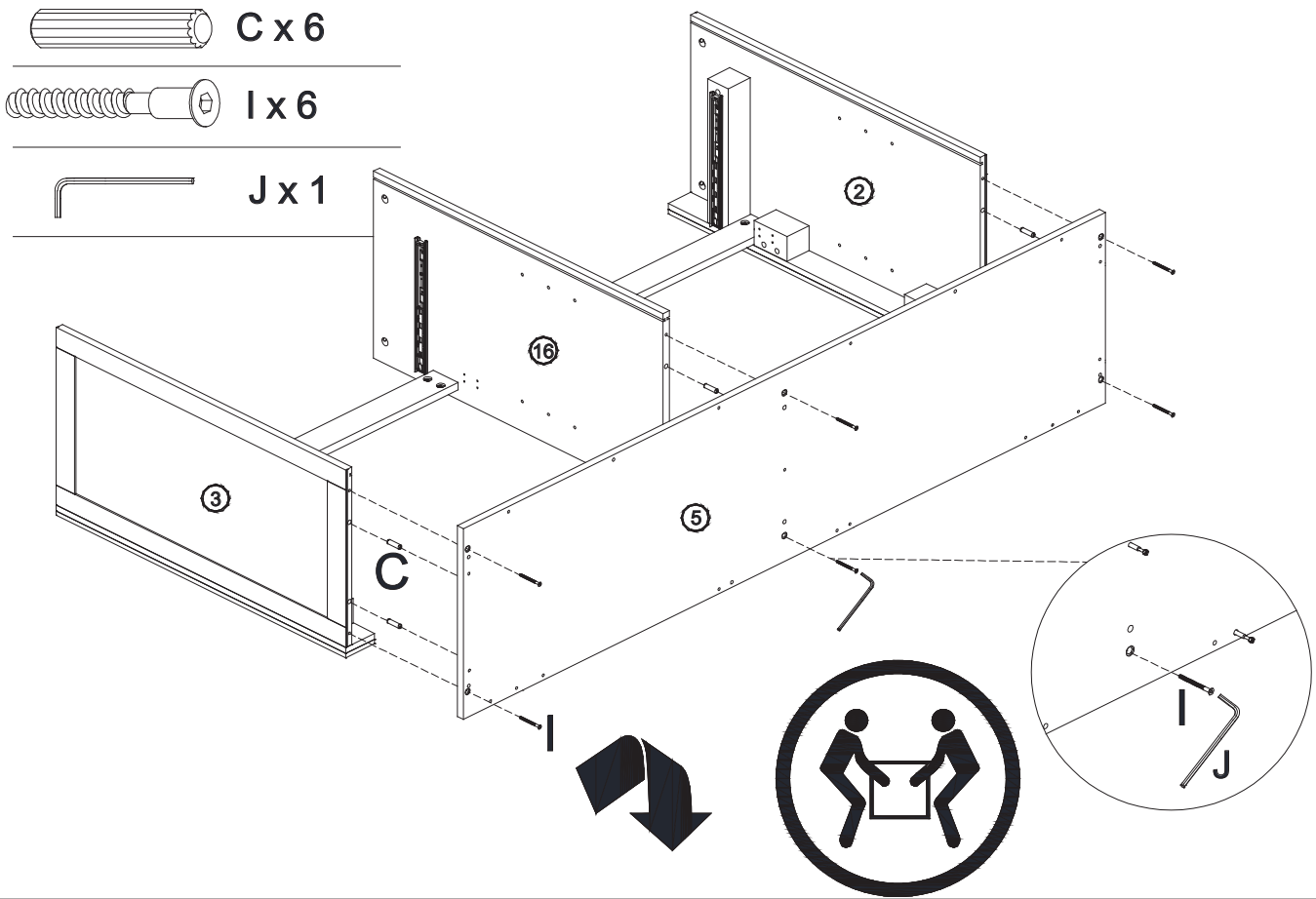


STEP 16

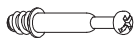
C x 6

I x 6

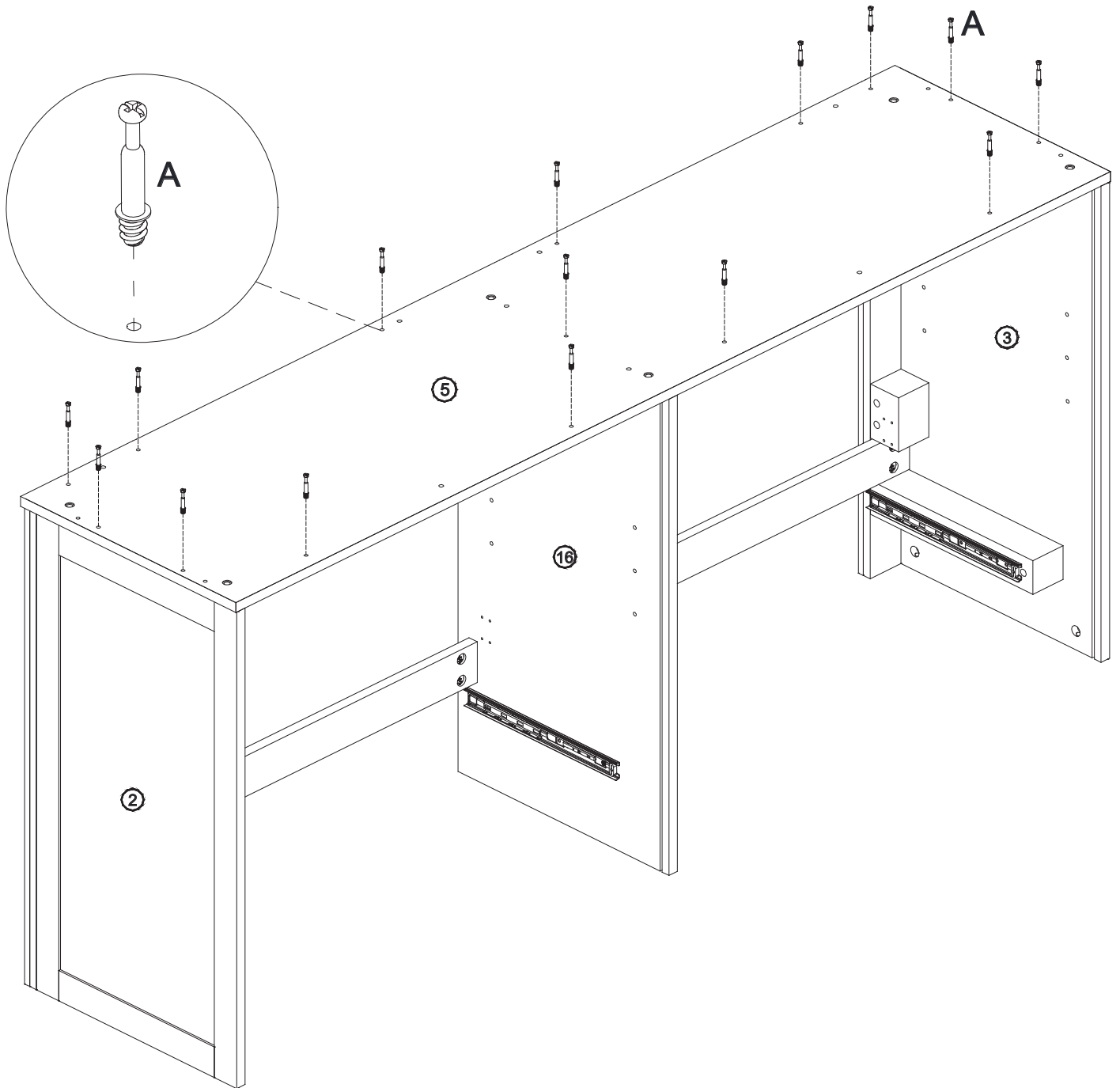
J x 1



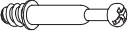

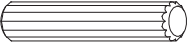
STEP 17

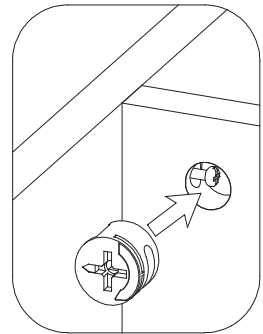
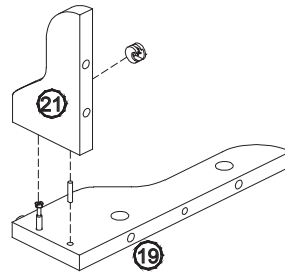
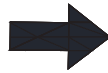
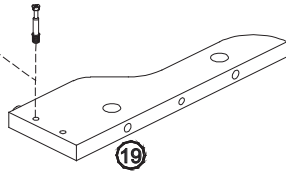
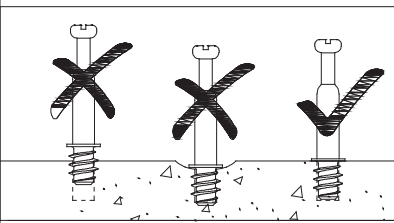
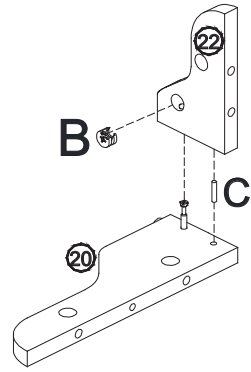
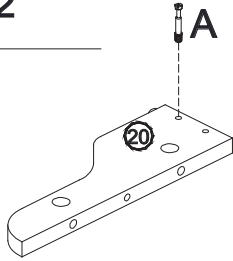
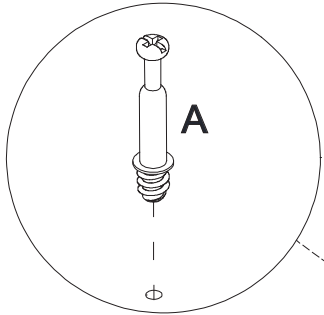


A x 15

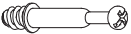

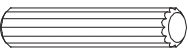


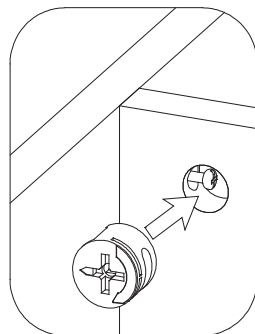
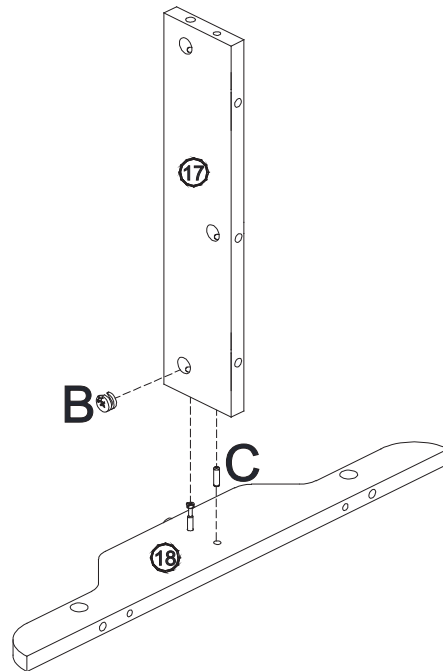
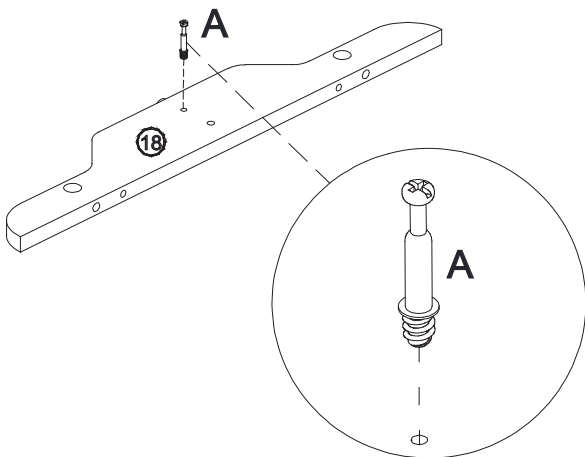
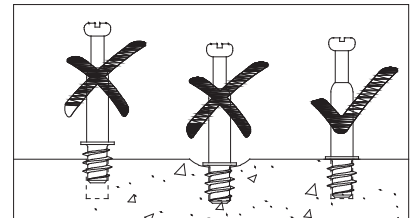
STEP 18

-  **A x 2**
-  **B x 2**
-  **C x 2**



STEP 19

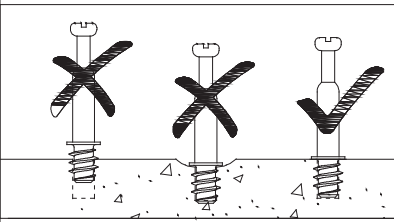
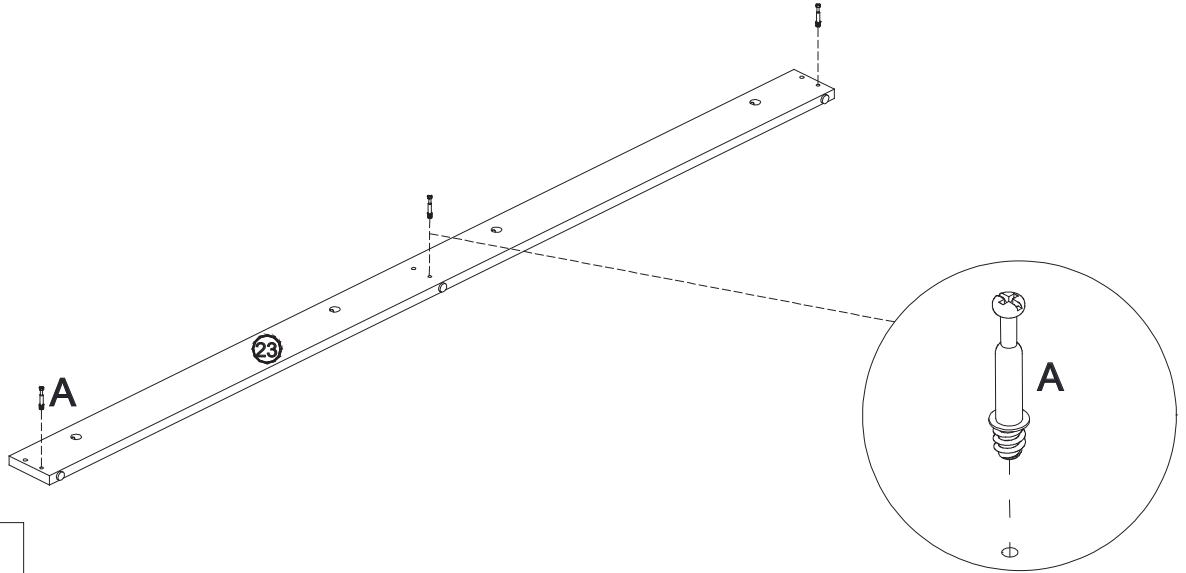
-  **A x 1**
-  **B x 1**
-  **C x 1**



STEP 20



A x 3



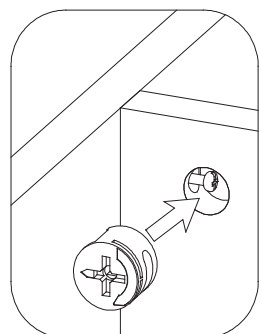
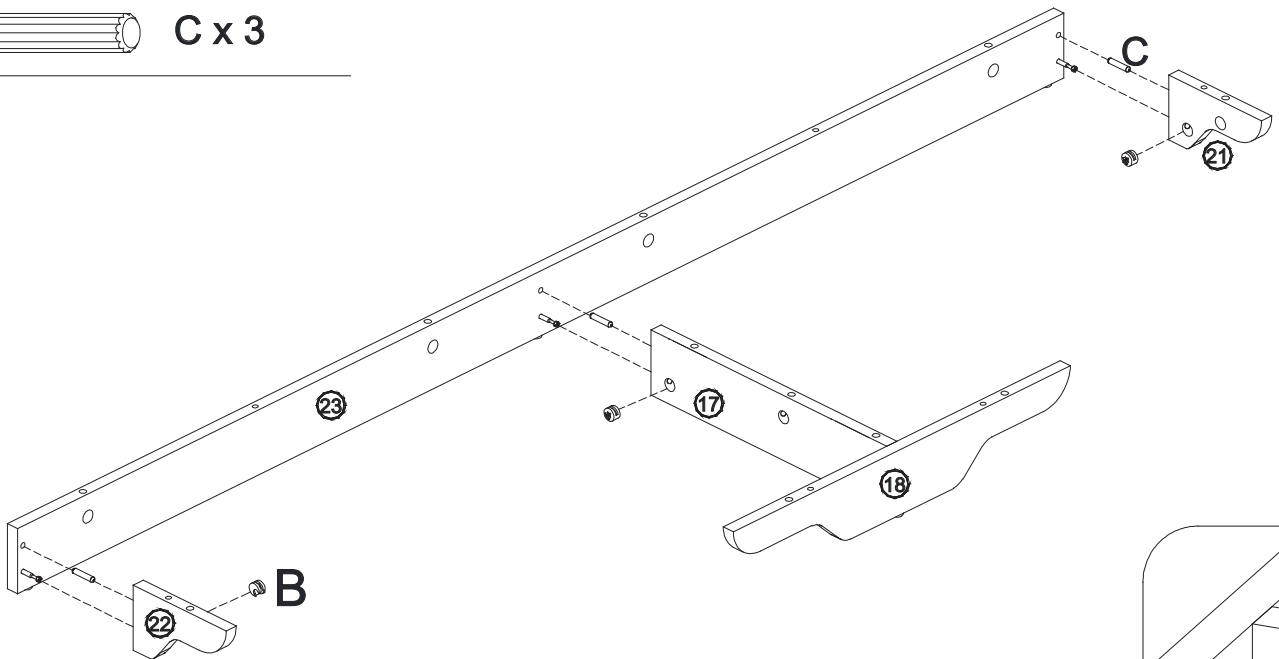
STEP 21



B x 3



C x 3



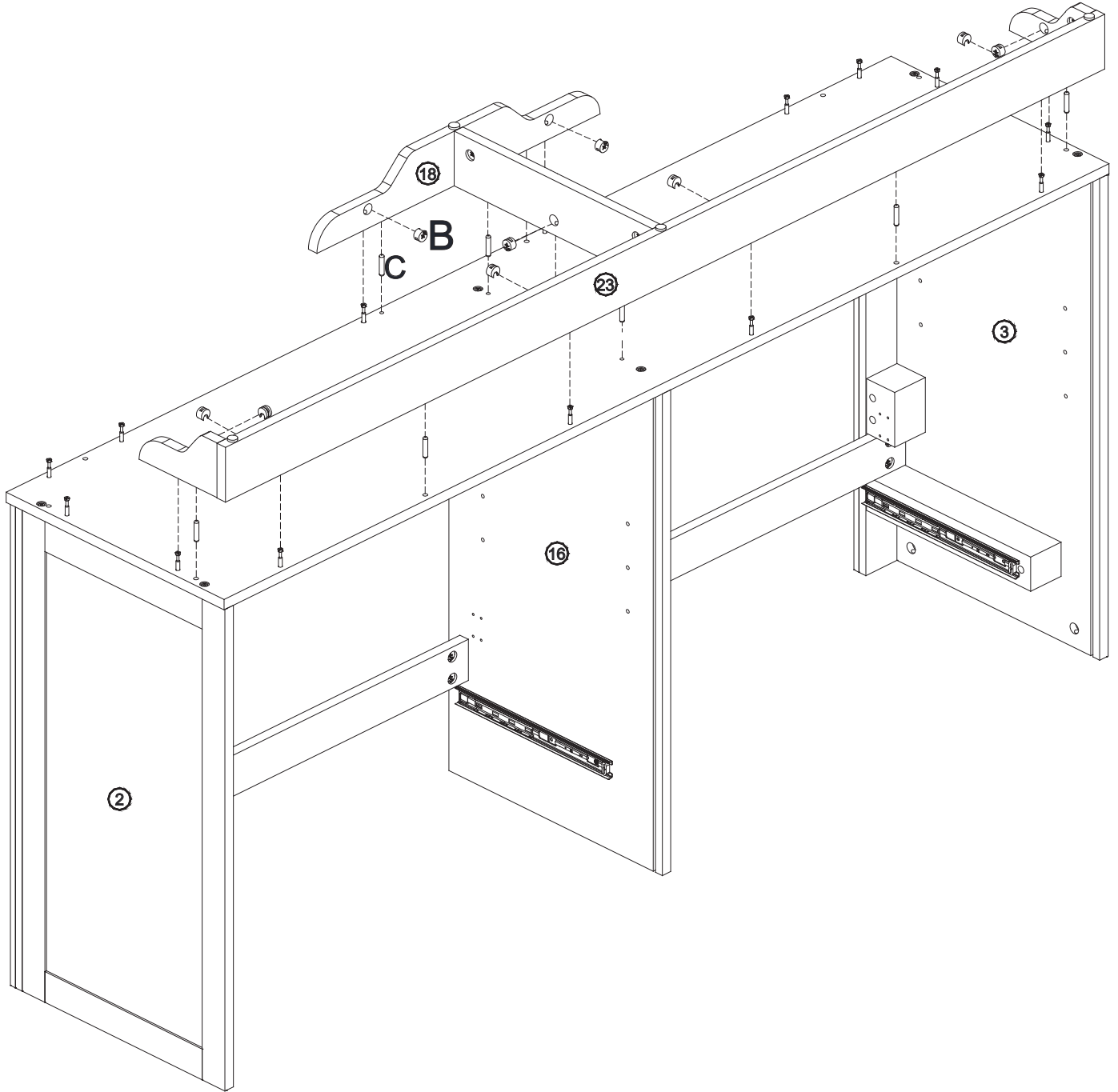
STEP 22



B x 9



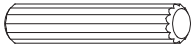
C x 8



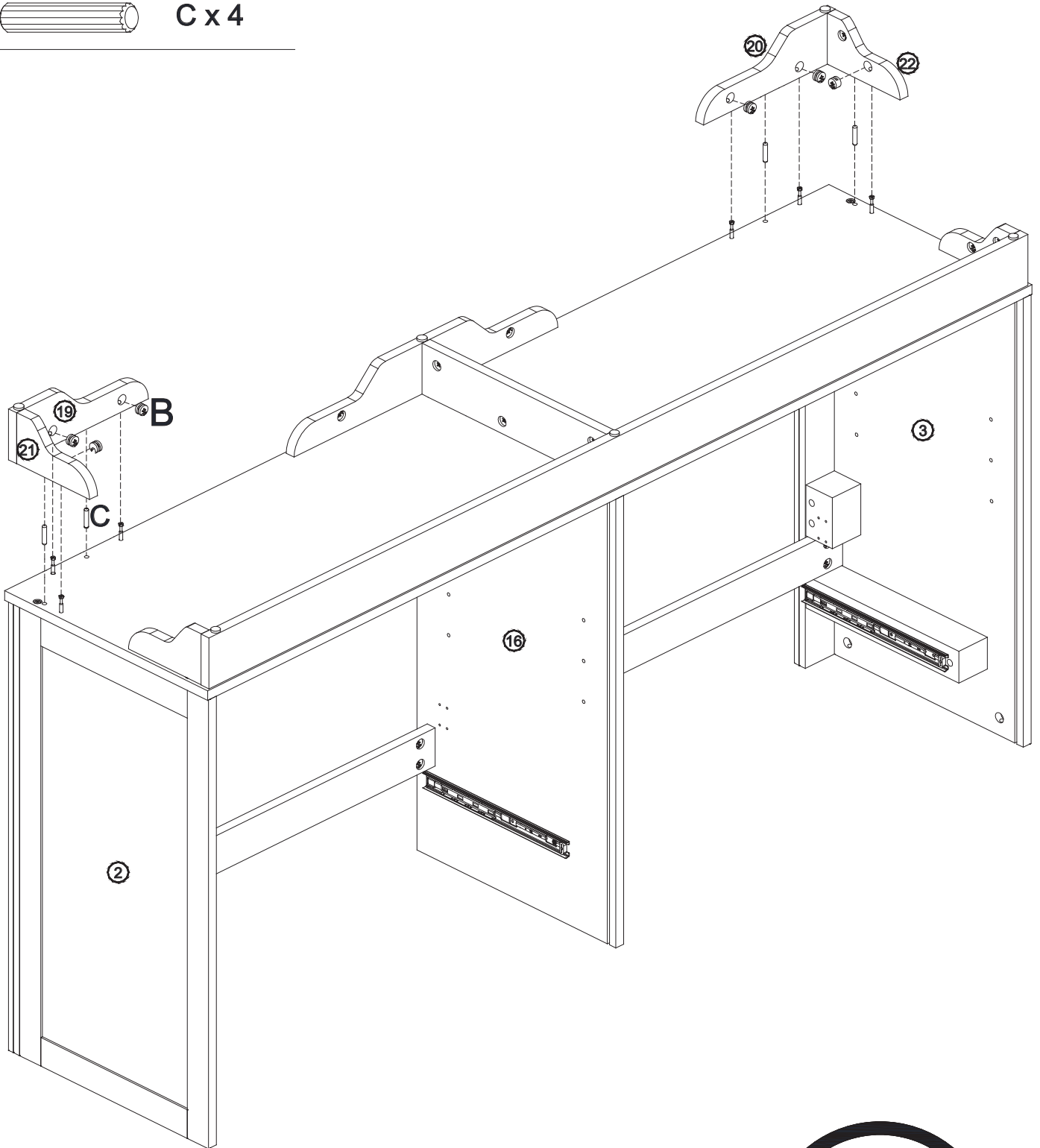
STEP 23



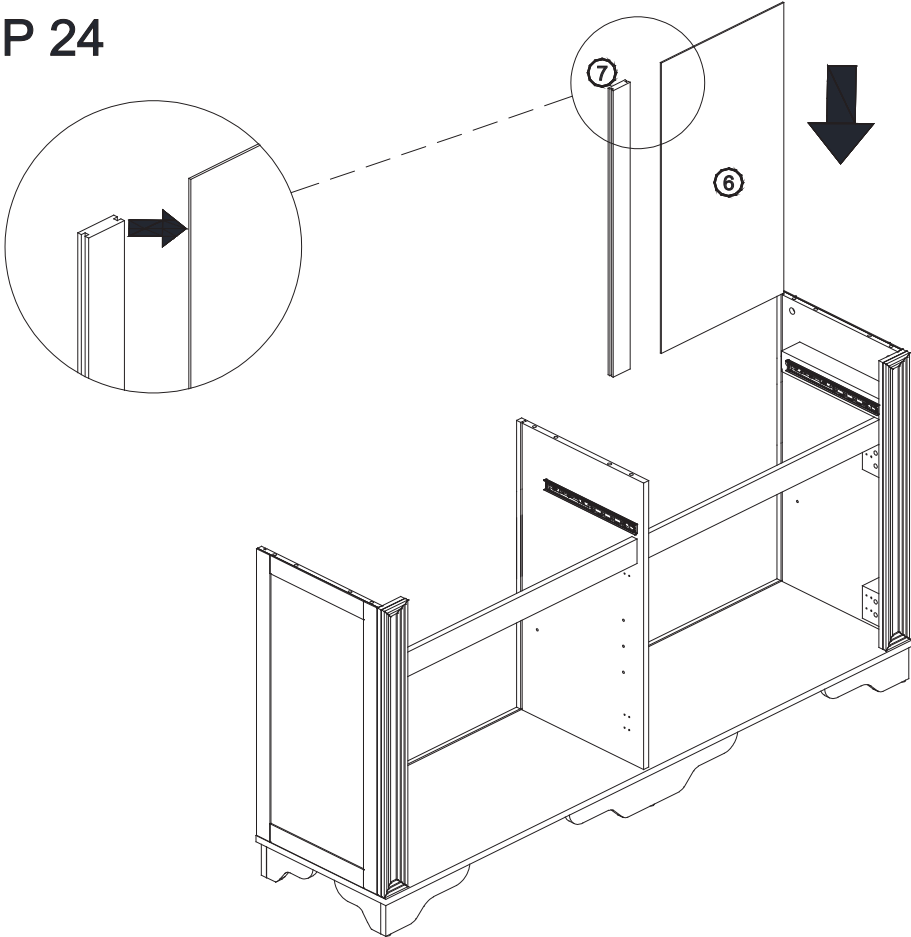
B x 6



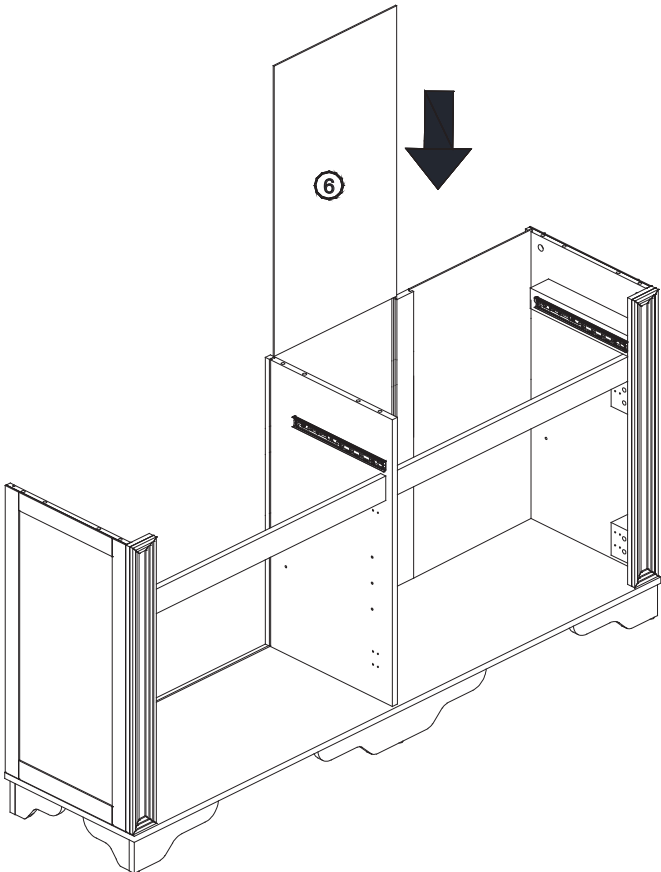
C x 4

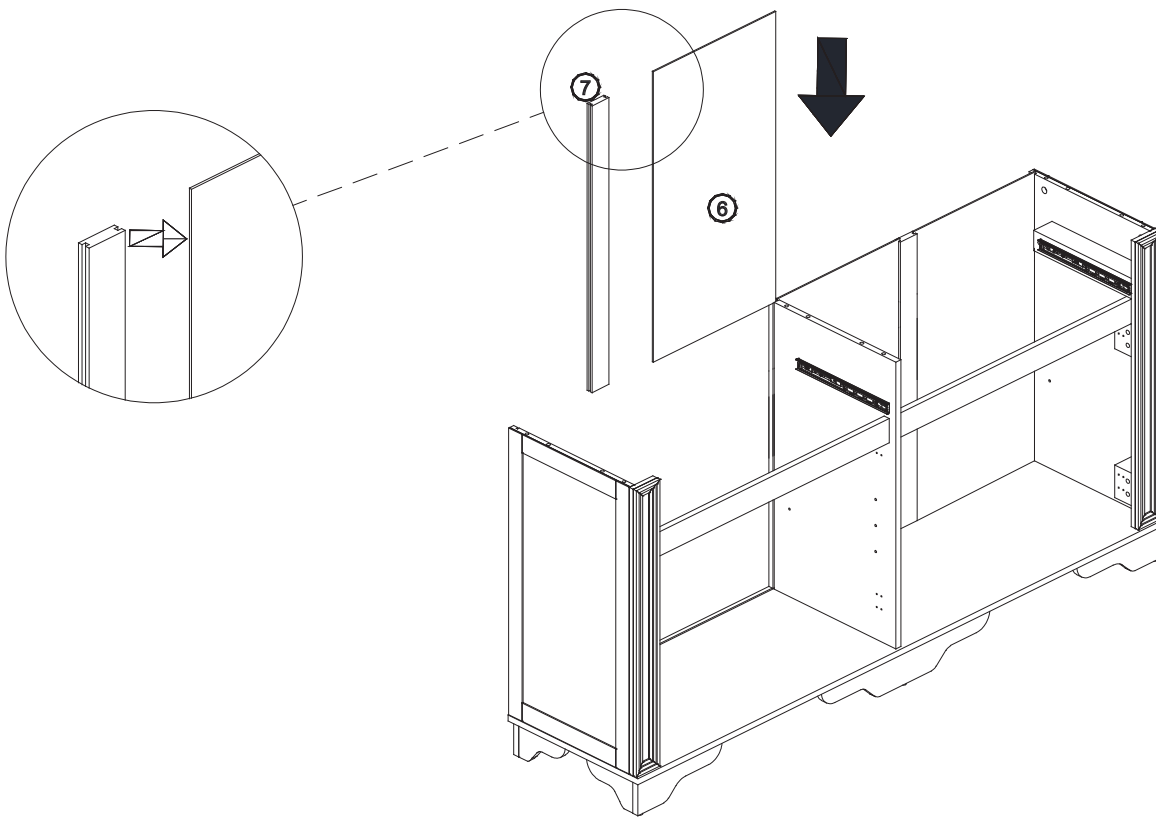


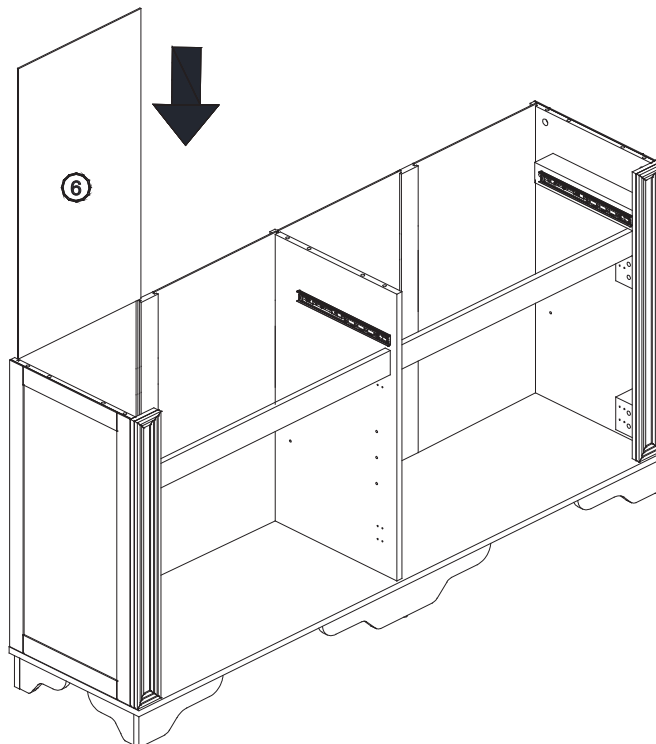
STEP 24



STEP 25



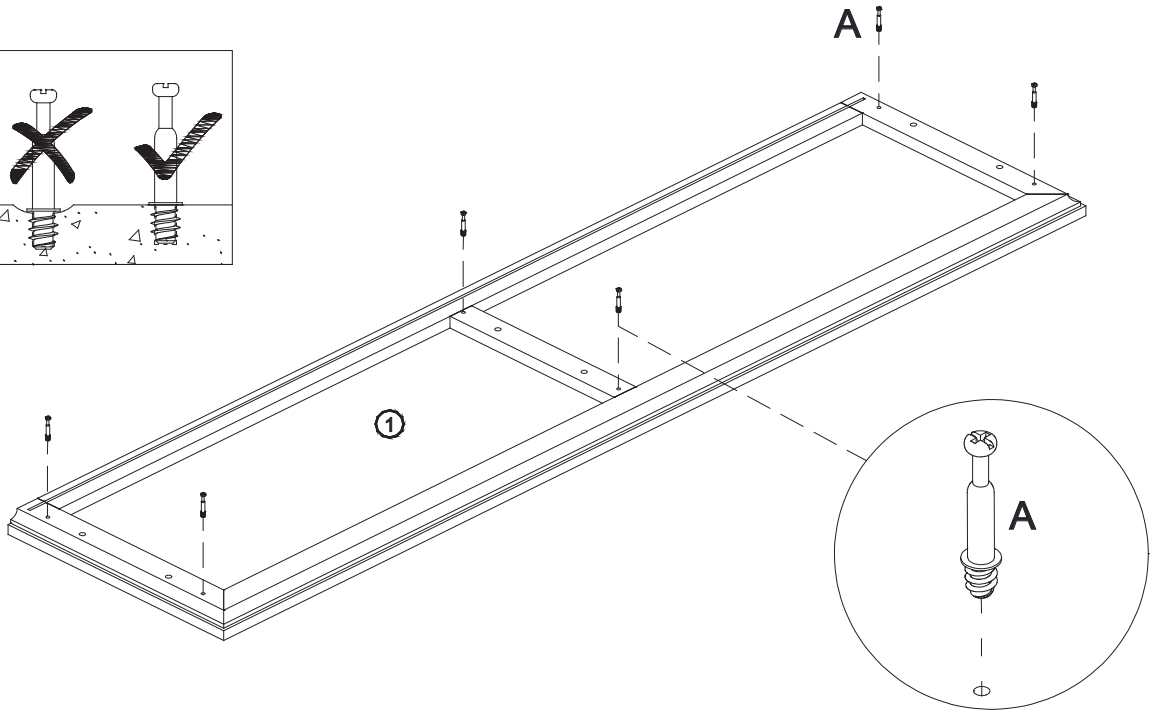
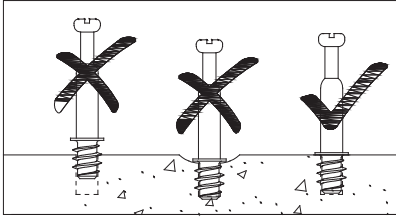
STEP 26

STEP 27

STEP 28



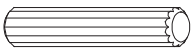
A x 6



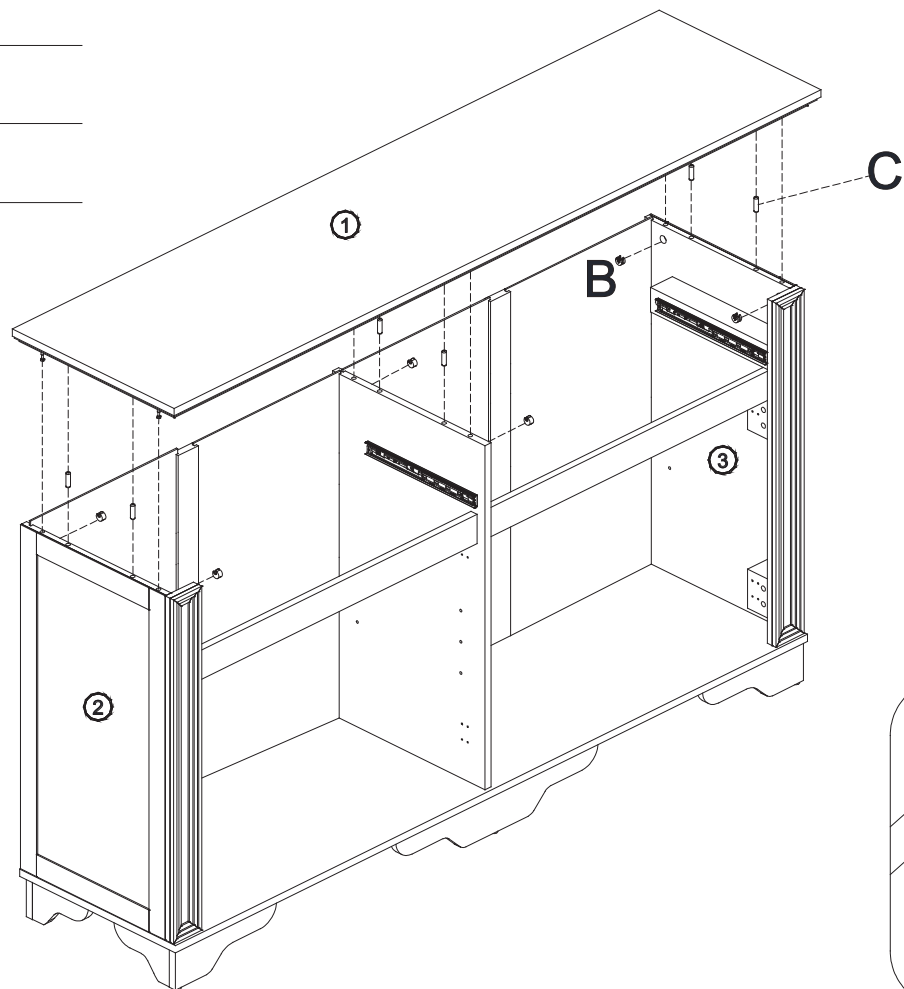
STEP 29



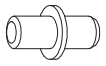
B x 6



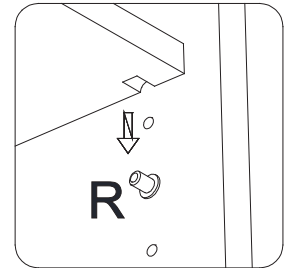
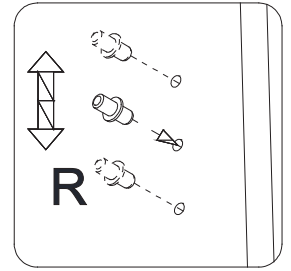
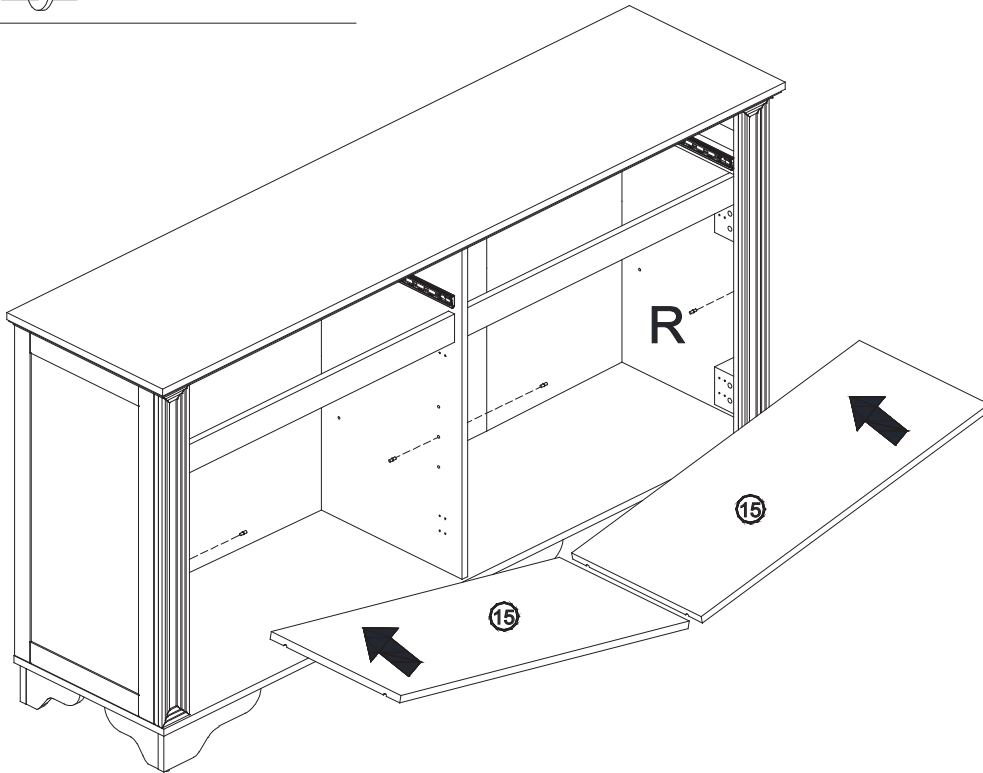
C x 6



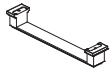
STEP 30



R x 8



STEP 31



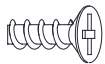
L x 4



M x 8

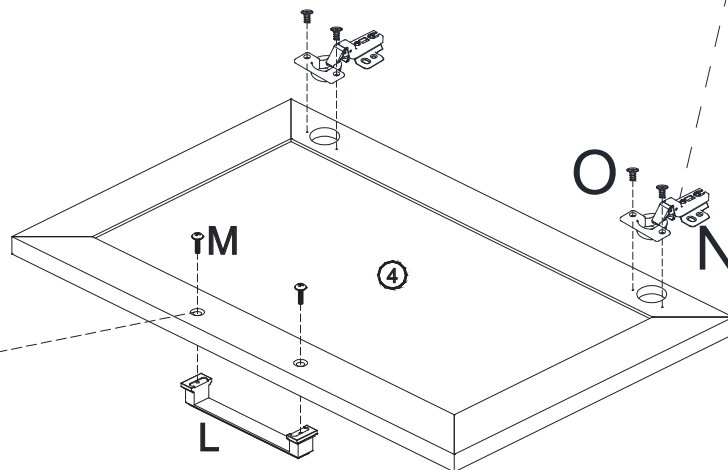
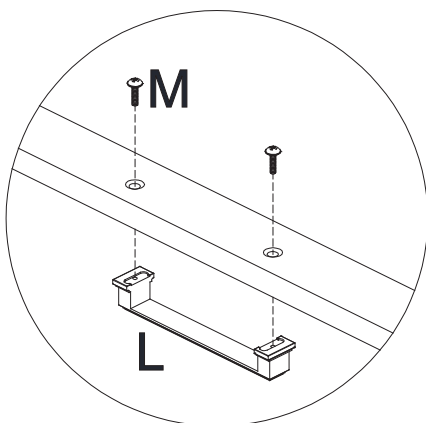
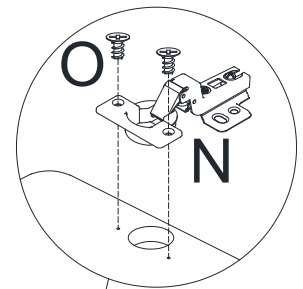


N x 8

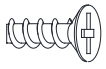


O x 16

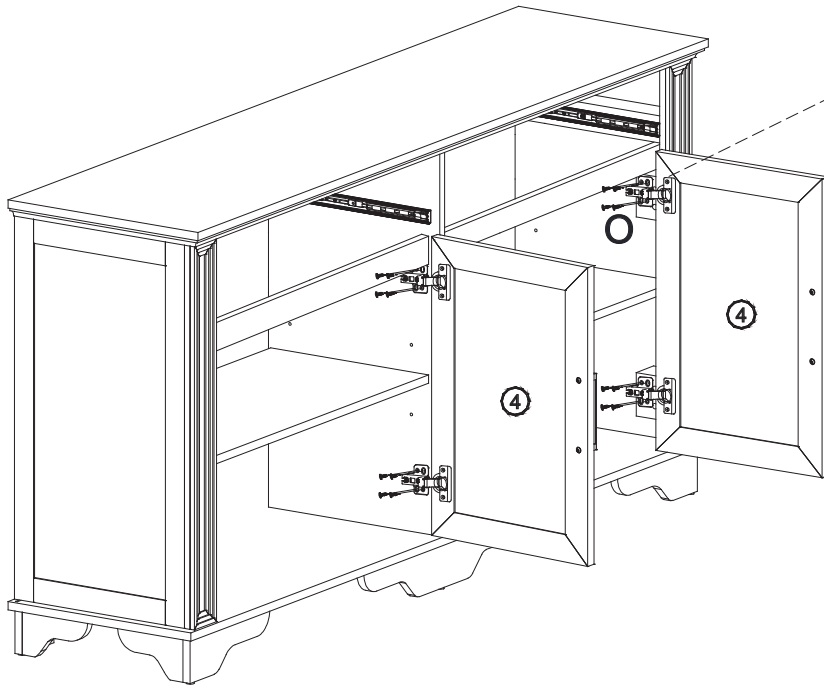
X4



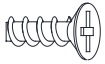
STEP 32



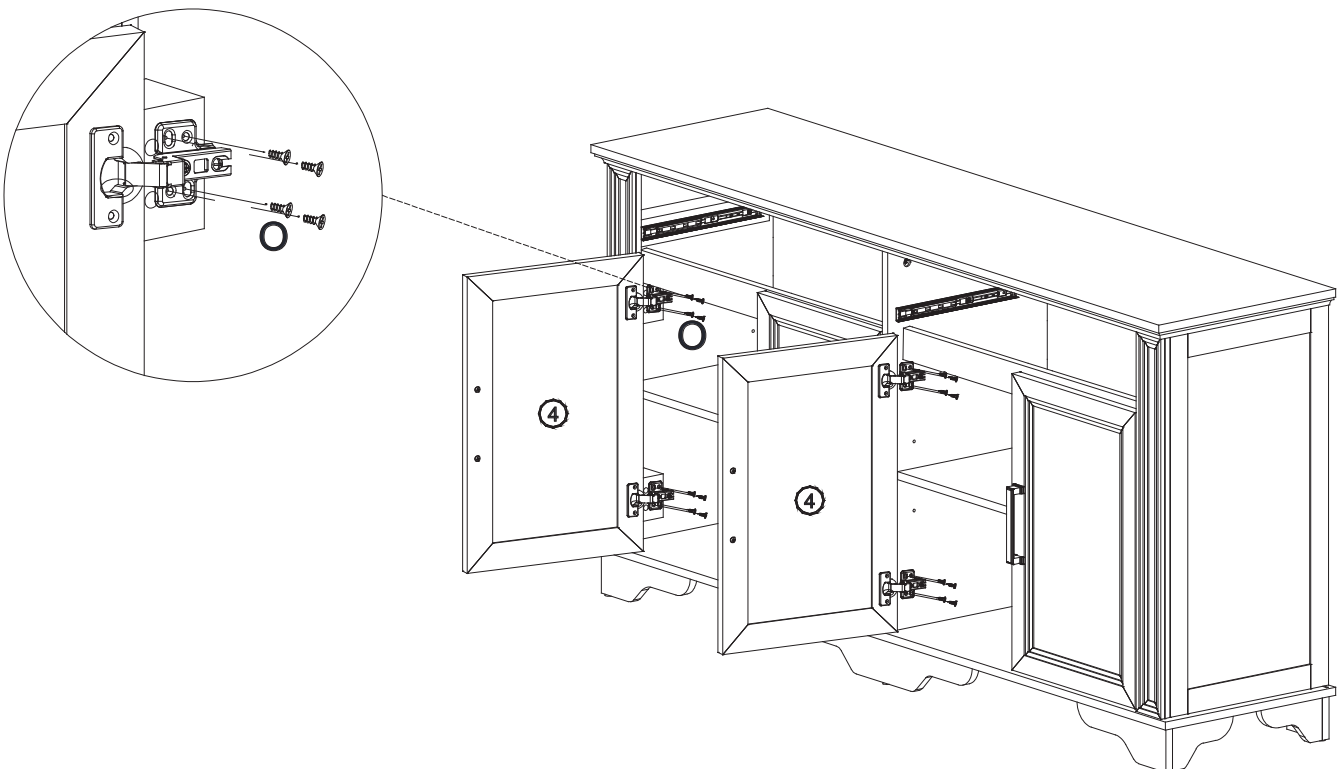
O x 16



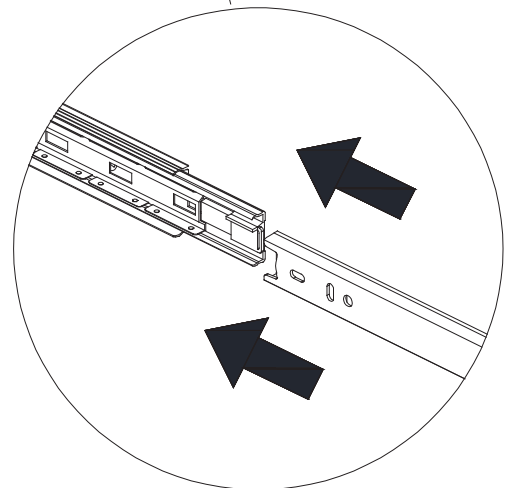
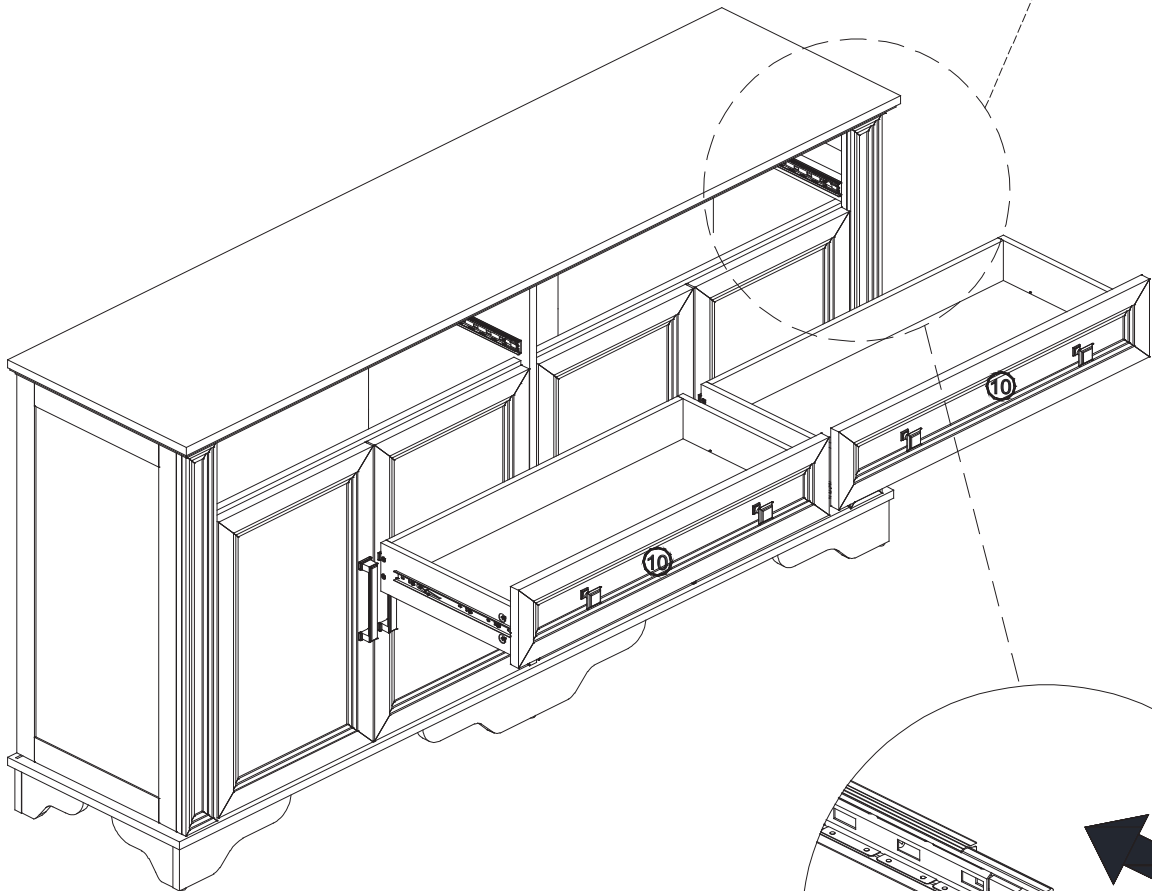
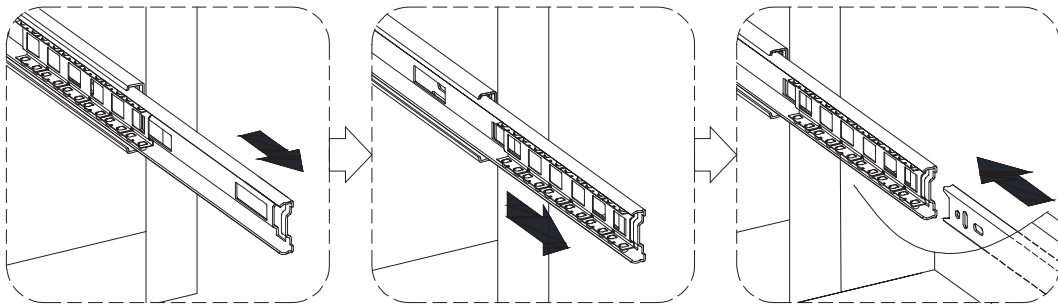
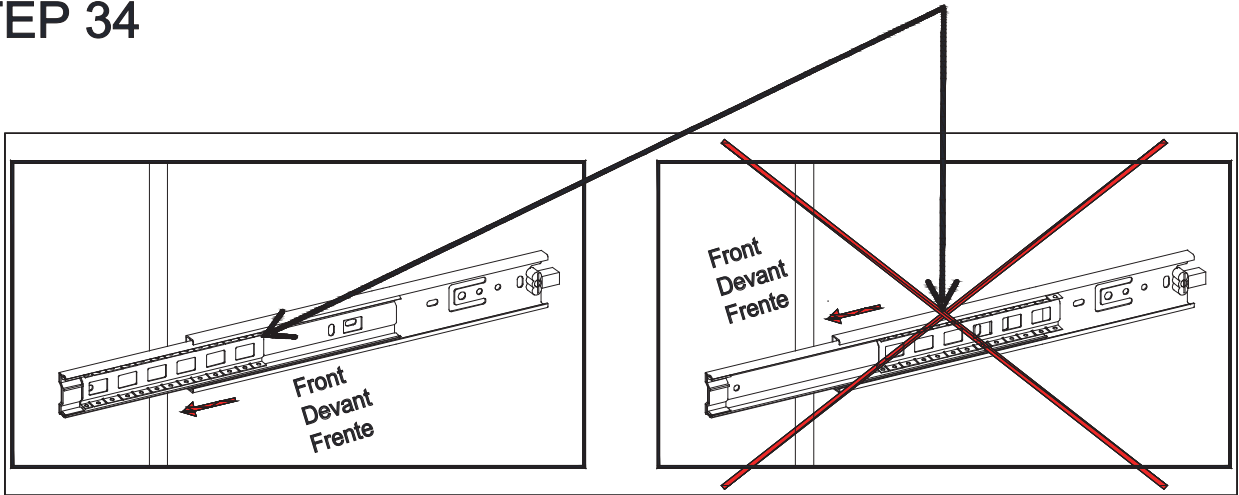
STEP 33



O x 16



STEP 34



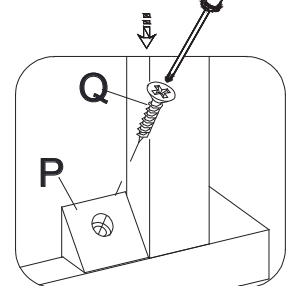
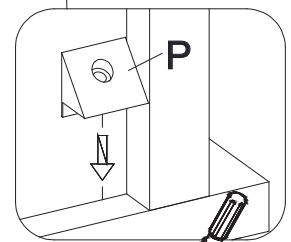
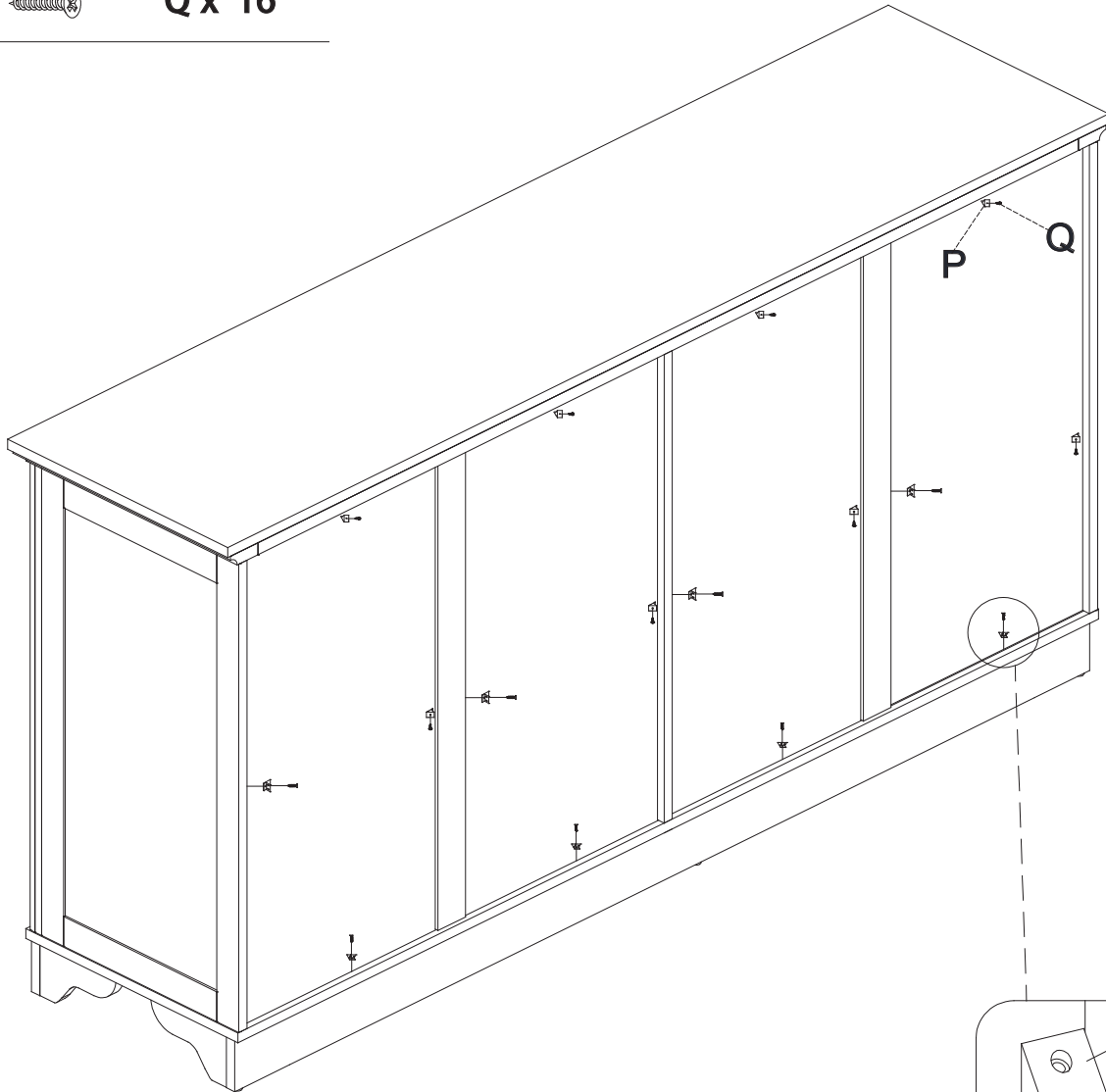
STEP 35



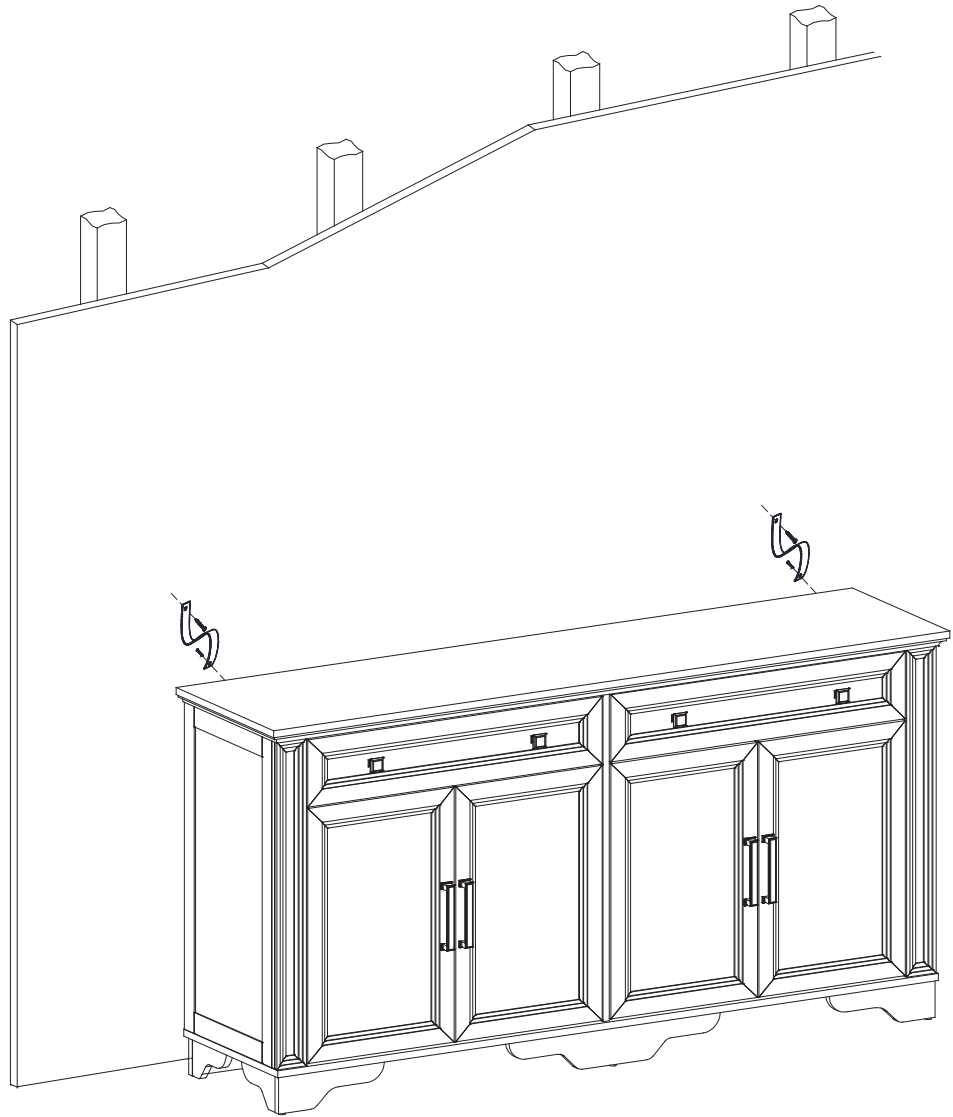
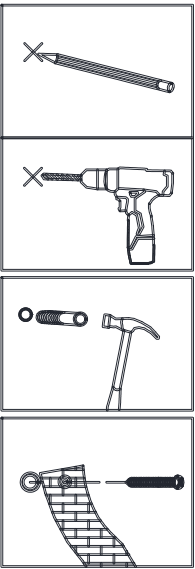
P x 16



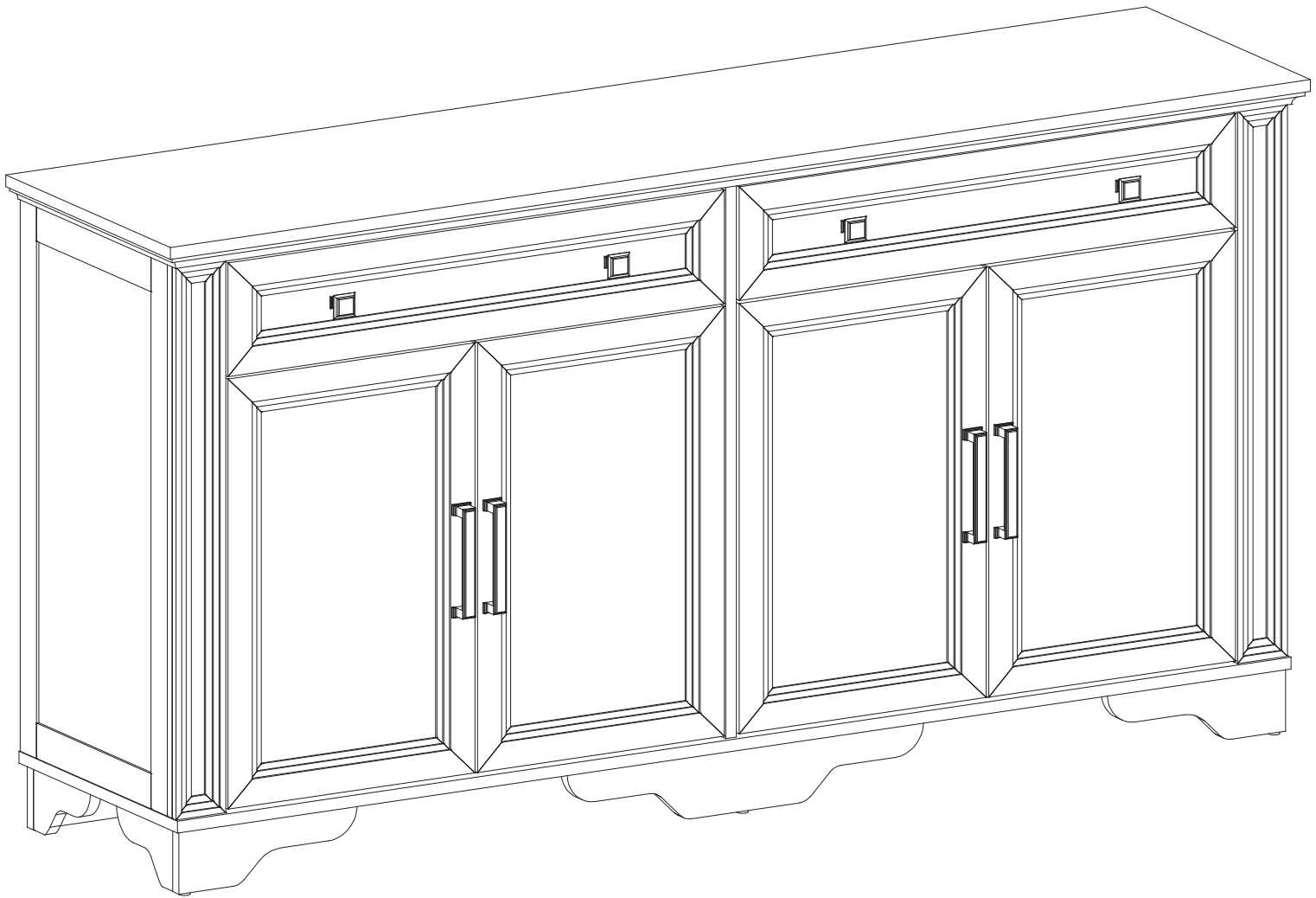
Q x 16



STEP 36



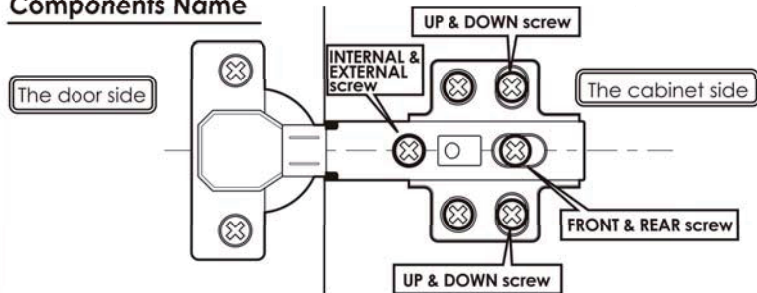
STEP 37



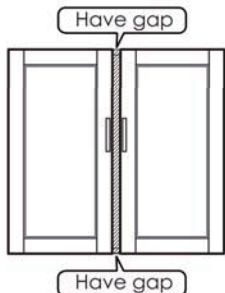
The ways to adjust the door

- Before adjusting the hinge, please check whether the cabinet is skewed.
- If the skew can not be repaired, please remove the anti-tipping device first, then adjust the cabinet to vertical position.
- Please adjust the hinge with the door open.
- Please operate it with more than 2 people, one person holds the door and the other one adjusts the screw.

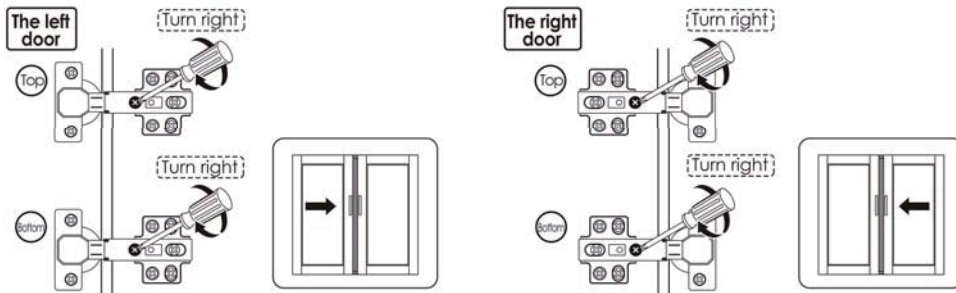
Components Name



Obvious gaps between doors or Doors don't look closed



- 1 Turn "internal & external screw" to the right can make the door approach inside. Please adjust the doors little by little.



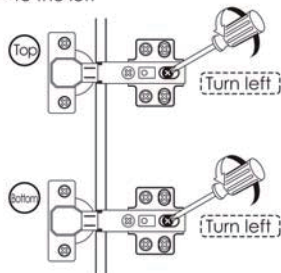
※ If the 2 doors are overlap, please turn the "internal & external screw" to the left.

When door is crooked

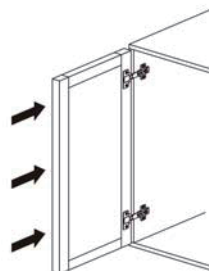


Please take the following steps to adjust first.

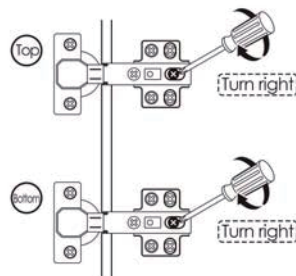
- 1 Rotate the "front and rear screws" to the left



- 2 Push the door to the cabinet

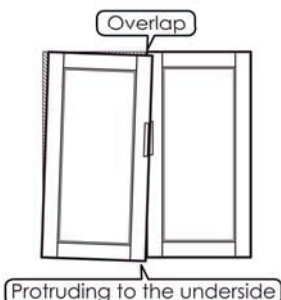


- 3 Rotate the "front and rear screws" to the right

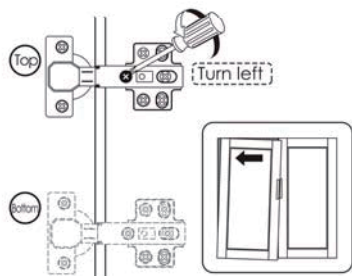


※ After adjusting the "front and rear screw", the door still does not change, please turn the "internal & external screw" to the right slightly.

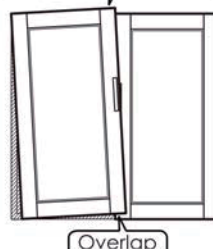
When door is leaning



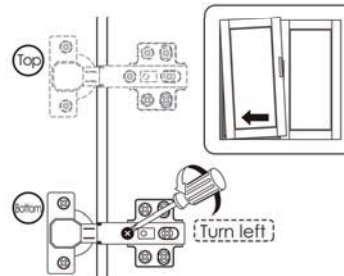
- 1 Turn "internal & external screw" to the left can make the top of the door tilted outward.



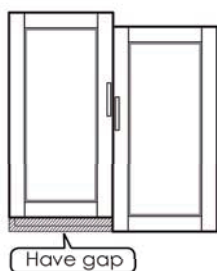
Protruding to the upside



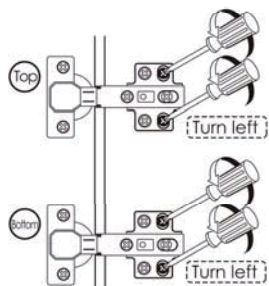
- 1 Turn "internal & external screw" to the left can make the bottom of the door tilted outward.



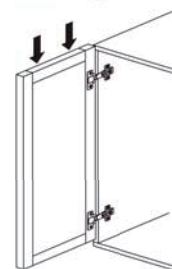
When the door is higher on top



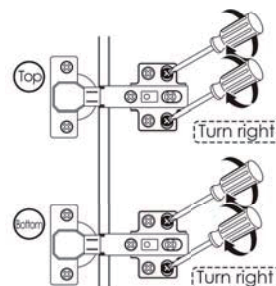
- 1 Turn "up & down screw" to the left



- 2 Lower the door's height so that 2 doors are of the same height.



- 3 Turn "up & down screw" to the right



※ If the door is lower on bottom, please lift up the left door slightly on step 2