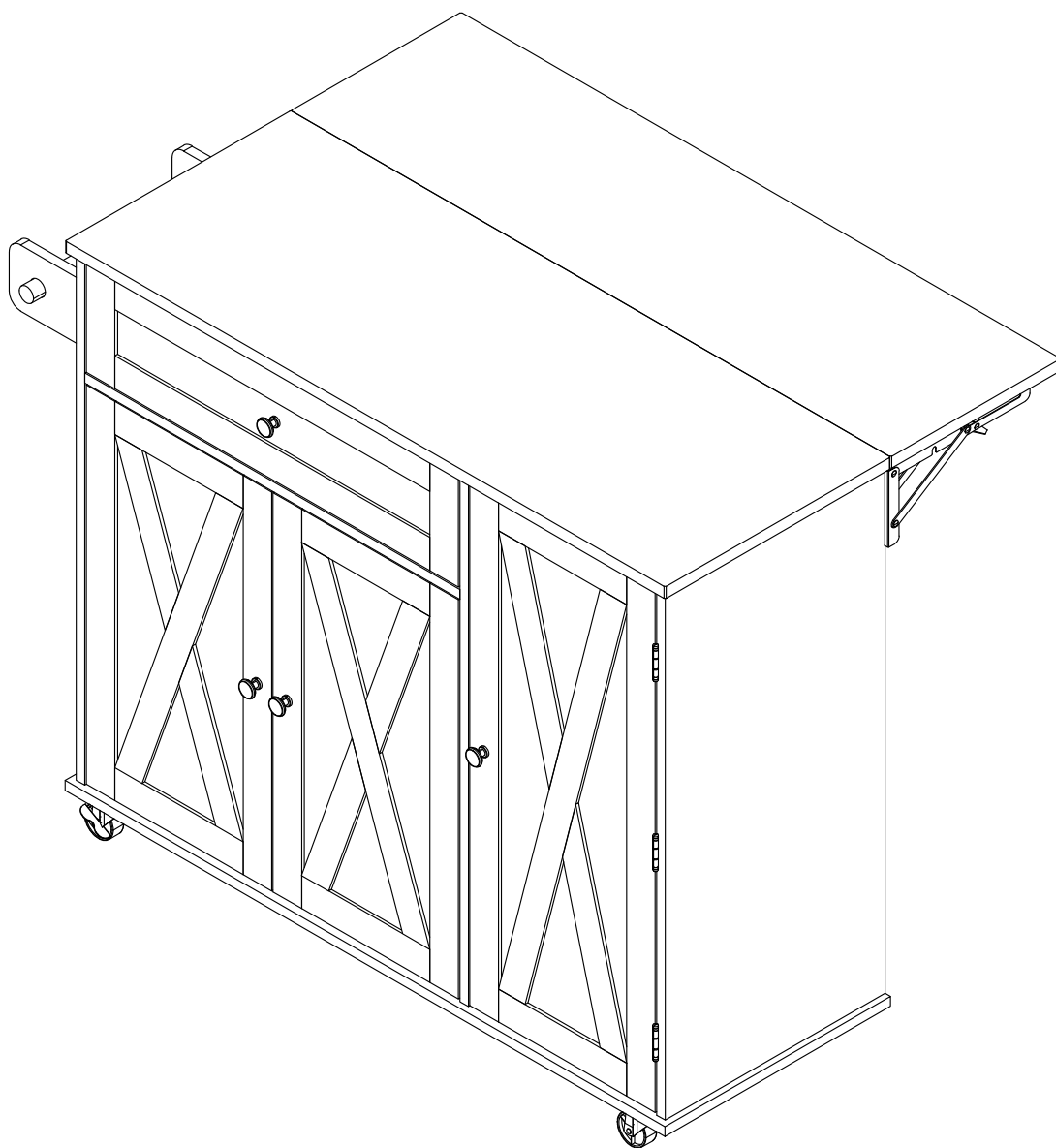


Instruction Manual



Kitchen island

EN

Thank you for purchase on our products. Please contact us if you have difficulty with assembly or need replacement parts. Our customer service is here to assist you. Please attach your User Name or Order ID so that we can assist you better.

WARNING

Serious or fatal injury may occur from unexpected assembly or use.

1. During the assembly process, keep all parts away from babies or children.
2. Always securely fix this product to the wall. Make sure the wall area to be drilled is free from hidden electrical wires, water and gas pipes.
3. Use of tip-over restraints may only reduce, but not eliminate the risk of tip-over.
4. Unless specially designed to accommodate, do not set heavy objects on top of this product.
5. Place the heaviest items on the lowest shelf.
6. Never allow children to climb or bang on drawers, doors or shelves.

DE

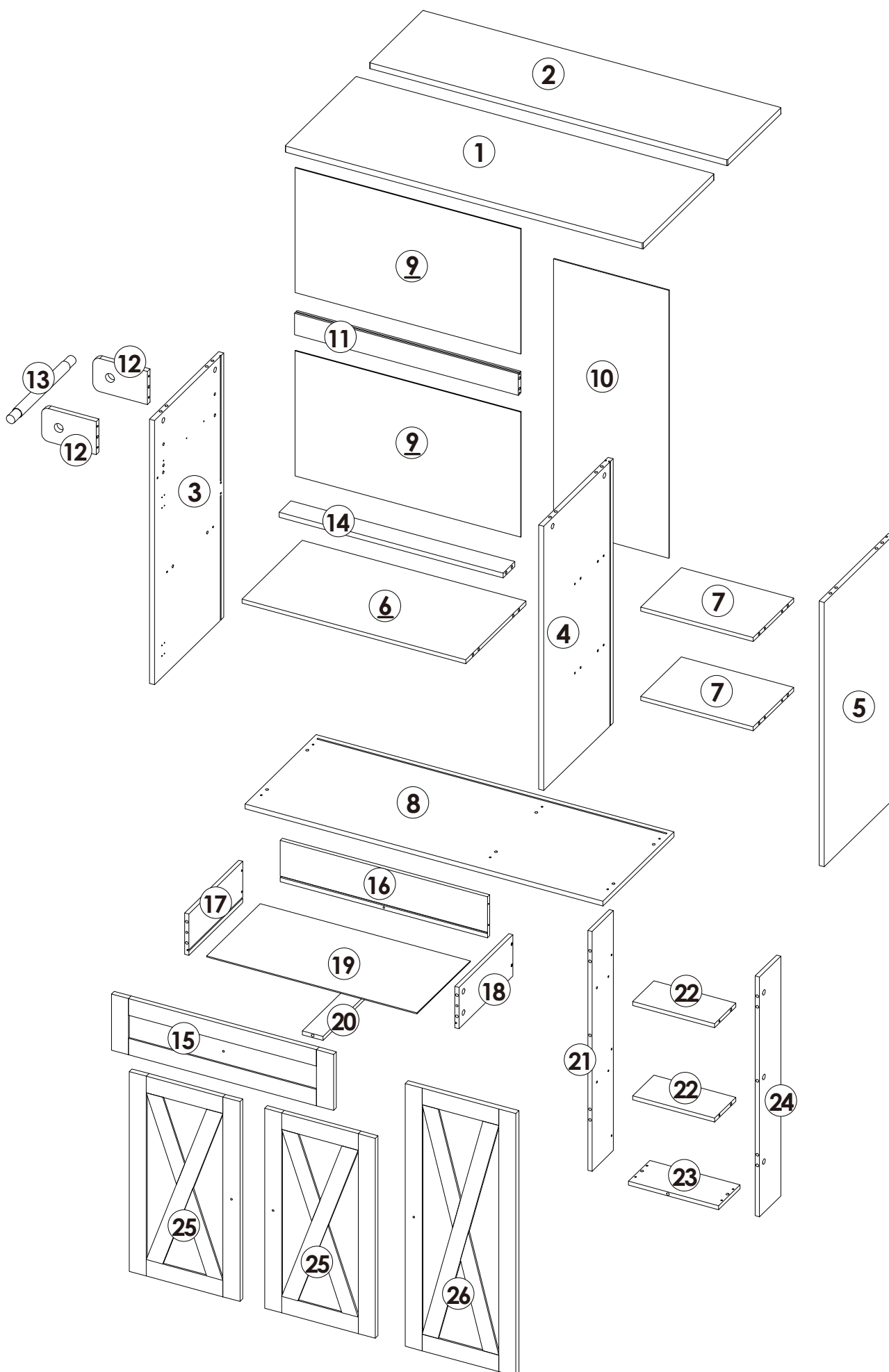
Vielen Dank für Ihren Kauf von uns Produkten. Bitte kontaktieren Sie uns, wenn Sie Probleme mit Montage haben oder Ersatzteile benötigen. Wir Kundenservice ist für Sie da. Bitte geben Sie Ihren Benutzernamen oder Ihre Bestellnummer an, damit wir Sie besser unterstützen können.

WARNUNG

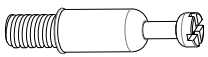

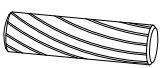

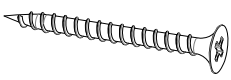
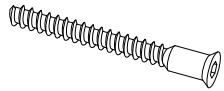
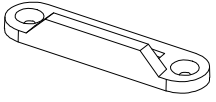

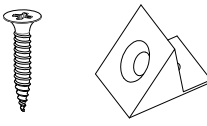

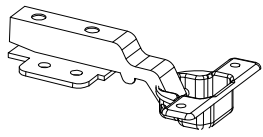

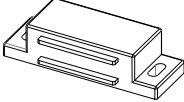

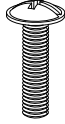
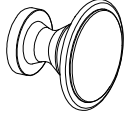
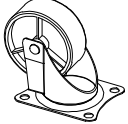
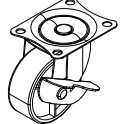
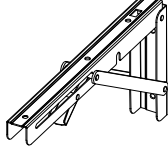

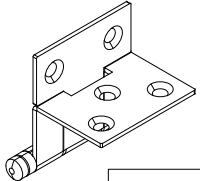



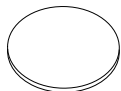
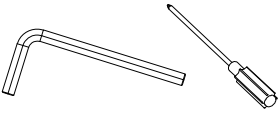
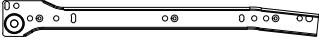
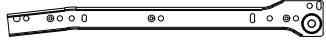
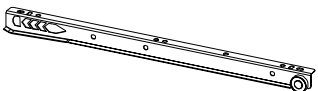
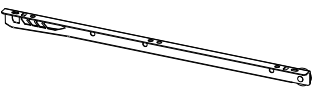
Bei unerwarteter Montage oder Verwendung können schwere oder tödliche Verletzung auftreten.

1. Legen Sie in den Montageprozess alle Teile weg von Babys oder Kindern.
2. Stellen Sie sicher, dass der gebohrte Wandbereich frei von verborgenen Stromkabeln, Wasser- und Gasleitungen ist, wenn Sie dieses Produkt an der Wand befestigen.
3. Die Verwendung von Kippsicherungen kann die Gefahr eines Kippens nur verringern, jedoch nicht beseitigen.
4. Setzen Sie bitte keine schweren Gegenstände auf dieses Produkt, es sei denn, dass das Produkt speziell für die Unterbringung konzipiert wird.
5. Legen Sie bitte die schwersten Gegenstände auf das unterste Regal.
6. Erlauben Sie nie Kindern, auf Schubladen, Türen oder Regale zu klettern oder zu knallen.

Parts List(EN) / Teile Liste(DE)

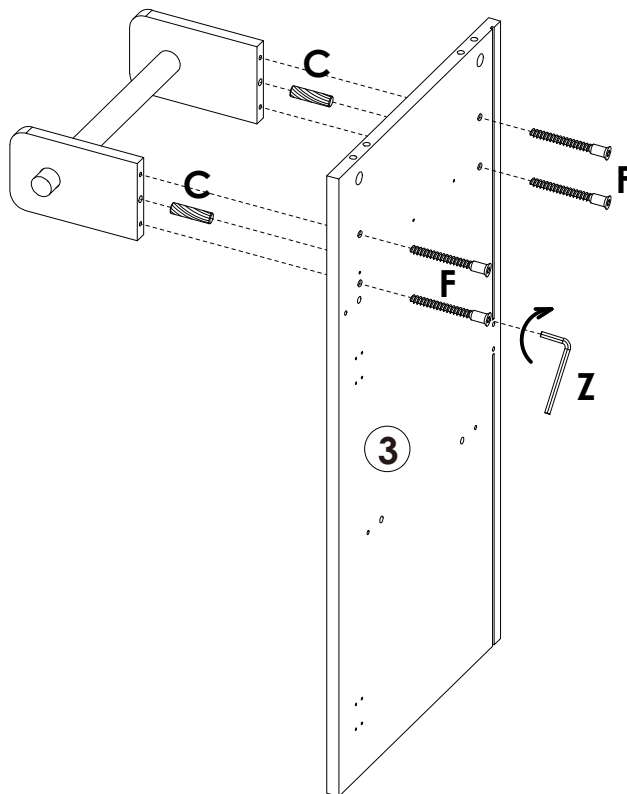
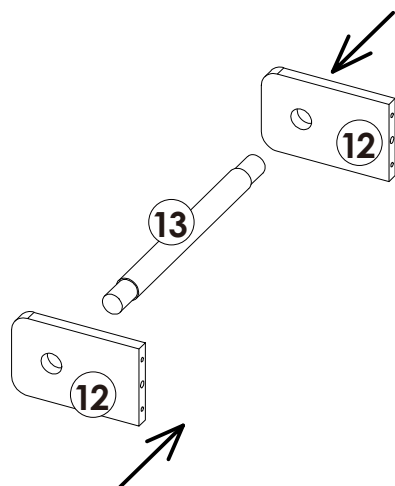





Parts List(EN) / Teile Liste(DE)

<p>A</p>  <p>M6×32mm 40+2PCS</p>	<p>B</p>  <p>Ø15×9.5mm 40+2PCS</p>	<p>C</p>  <p>Ø8×30mm 40+2PCS</p>	<p>D</p>  <p>M3.5×12mm 56+2PCS</p>
<p>E</p>  <p>M4×40mm 15+2PCS</p>	<p>F</p>  <p>M6.2×48mm 4PCS</p>	<p>G</p>  <p>1PC</p>	<p>H</p>  <p>M3.5×14mm 6PCS</p>
<p>I</p>  <p>M3×14mm 12+2SETS</p>	<p>J</p>  <p>M4×14mm 20+2PCS</p>	<p>K</p>  <p>4PCS</p>	<p>L</p>  <p>2PCS</p>
<p>M</p>  <p>1PC</p>	<p>N</p>  <p>M4×10mm 1PC</p>	<p>O</p>  <p>M4×22mm 3PCS</p>	<p>P</p>  <p>Ø24×24mm 4PCS</p>
<p>Q</p>  <p>3PCS</p>	<p>R</p>  <p>2PCS</p>	<p>S</p>  <p>2PCS</p>	<p>T</p>  <p>M4×30mm 4PCS</p>
<p>U</p>  <p>3PCS</p>	<p>V</p>  <p>3PCS</p>	<p>W</p>  <p>1PC</p>	<p>X</p>  <p>M3×12mm 2PCS</p>
<p>Y</p>  <p>Ø21mm 9+1PCS</p>	<p>Z</p>  <p>M4 1PC</p>	<p>CL</p>  <p>L300mm 1PC</p>	<p>CR</p>  <p>L300mm 1PC</p>
<p>DL</p>  <p>L300mm 1PC</p>	<p>DR</p>  <p>L300mm 1PC</p>		

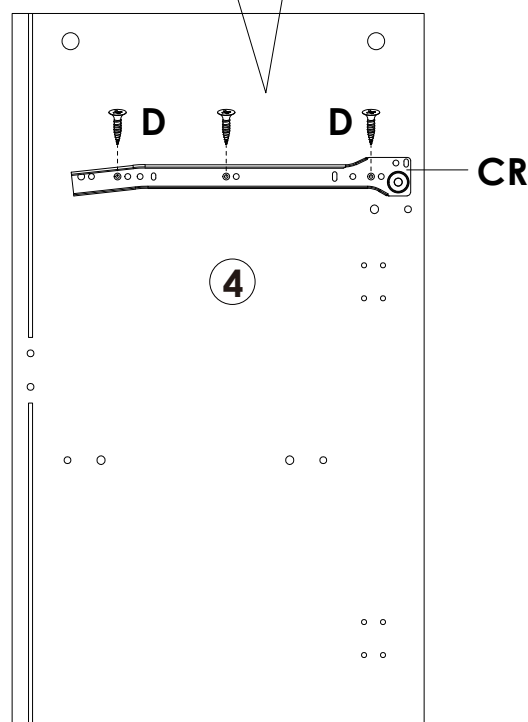
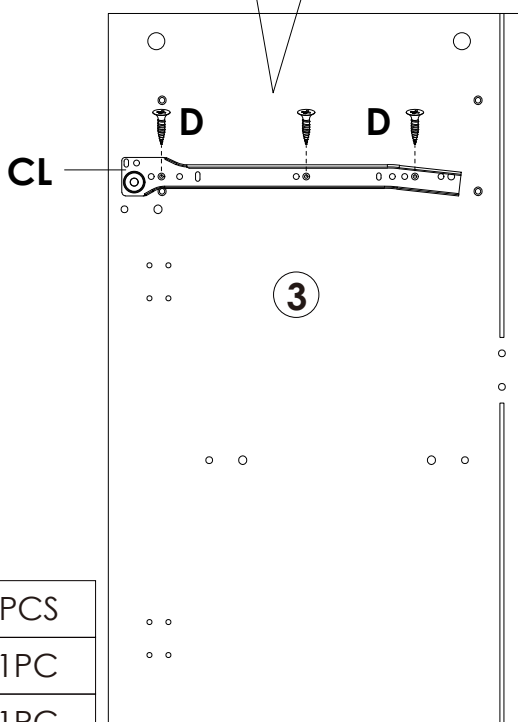
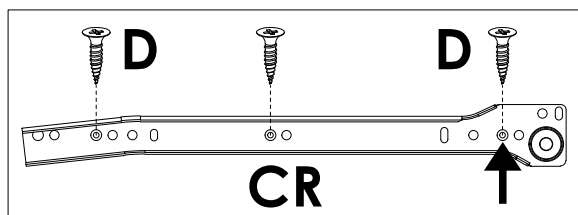
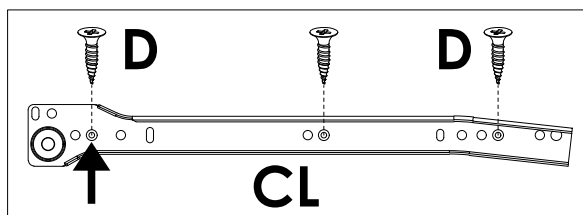
Assembly Steps(EN) / Montageschritte(DE)



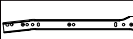
STEP 1



	C x 2PCS
	F x 4PCS
	Z x 1PC

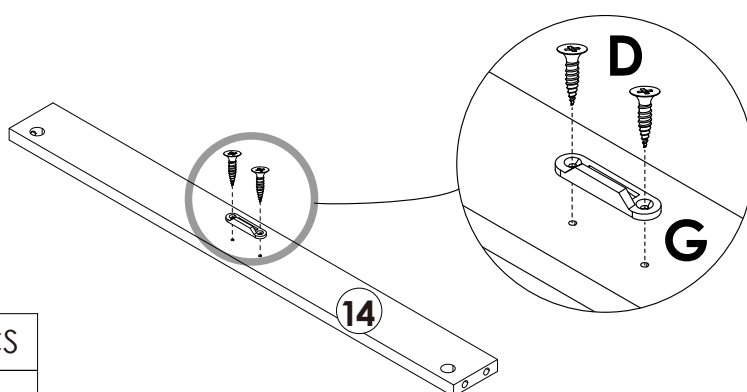
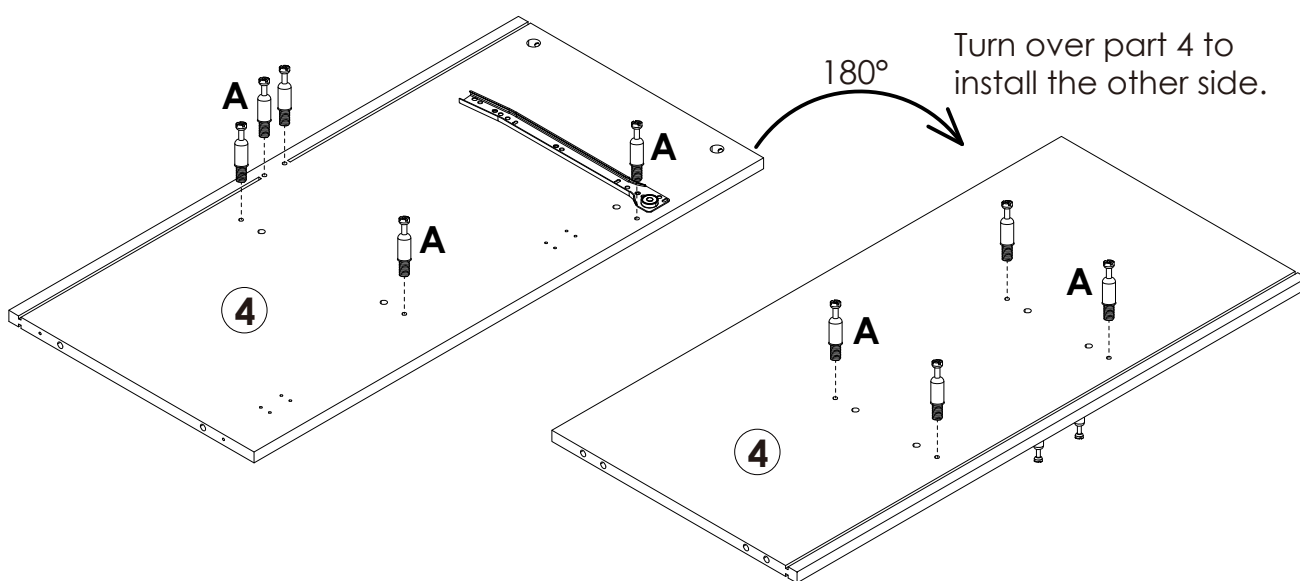
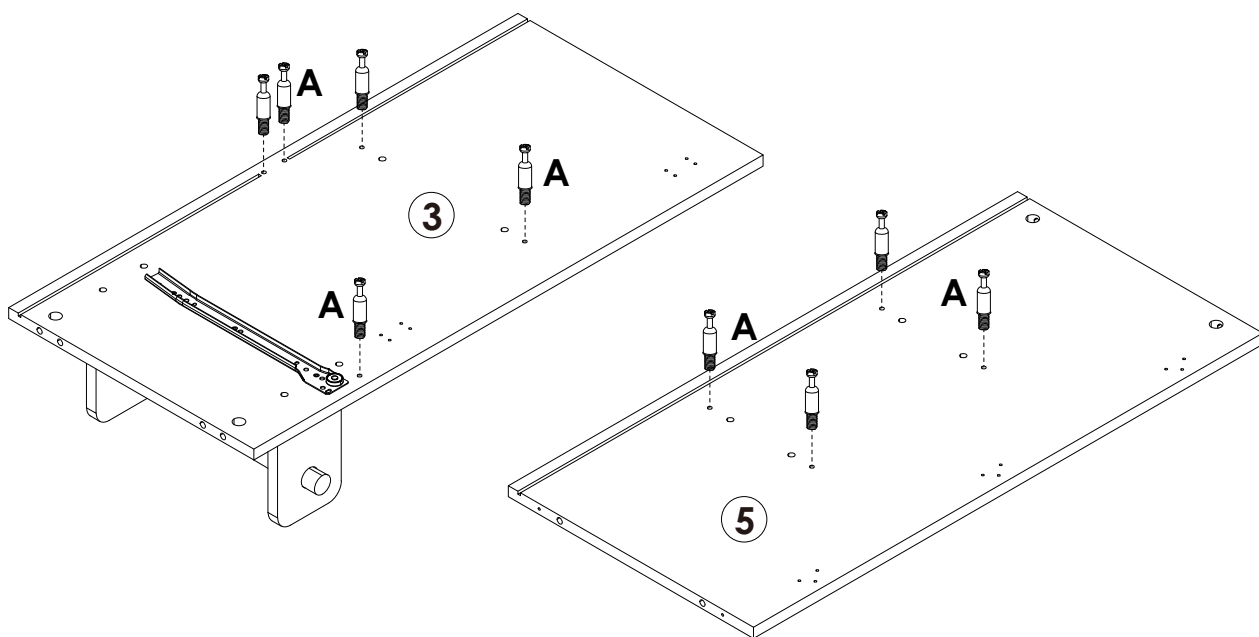
STEP 2

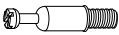




	D x 6PCS
	CL x 1PC
	CR x 1PC

Assembly Steps(EN) / Montageschritte(DE)

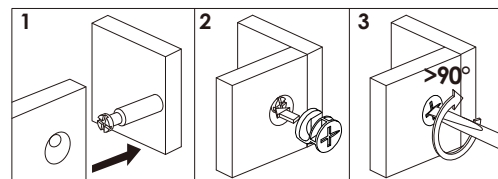
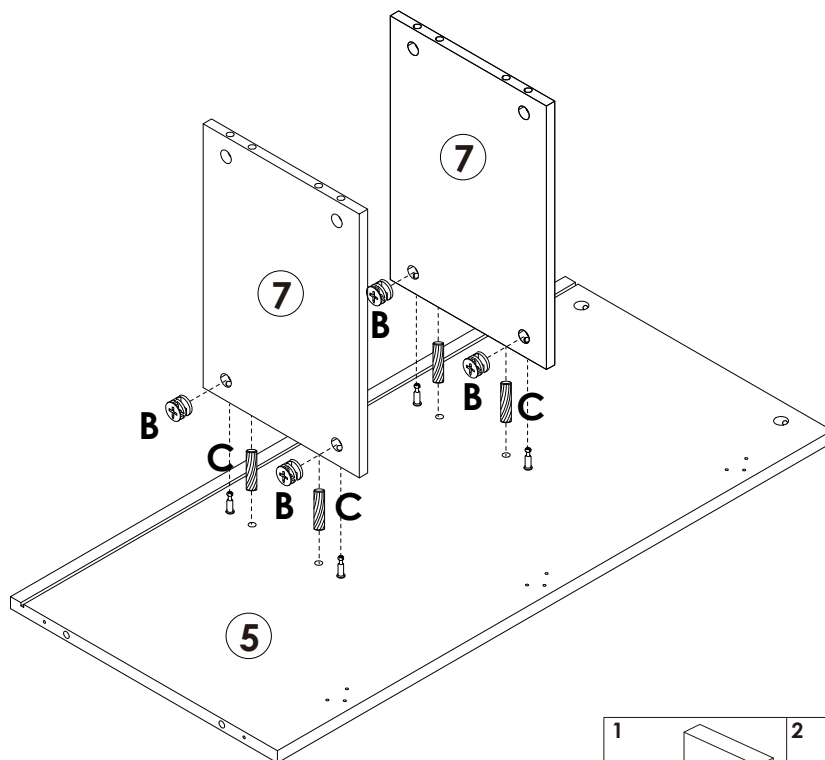
STEP 3





	A x 18PCS
	D x 2PCS
	G x 1PC

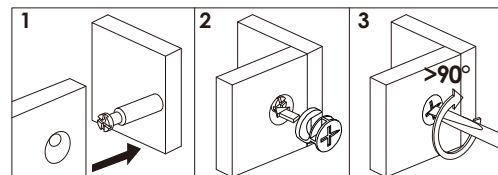
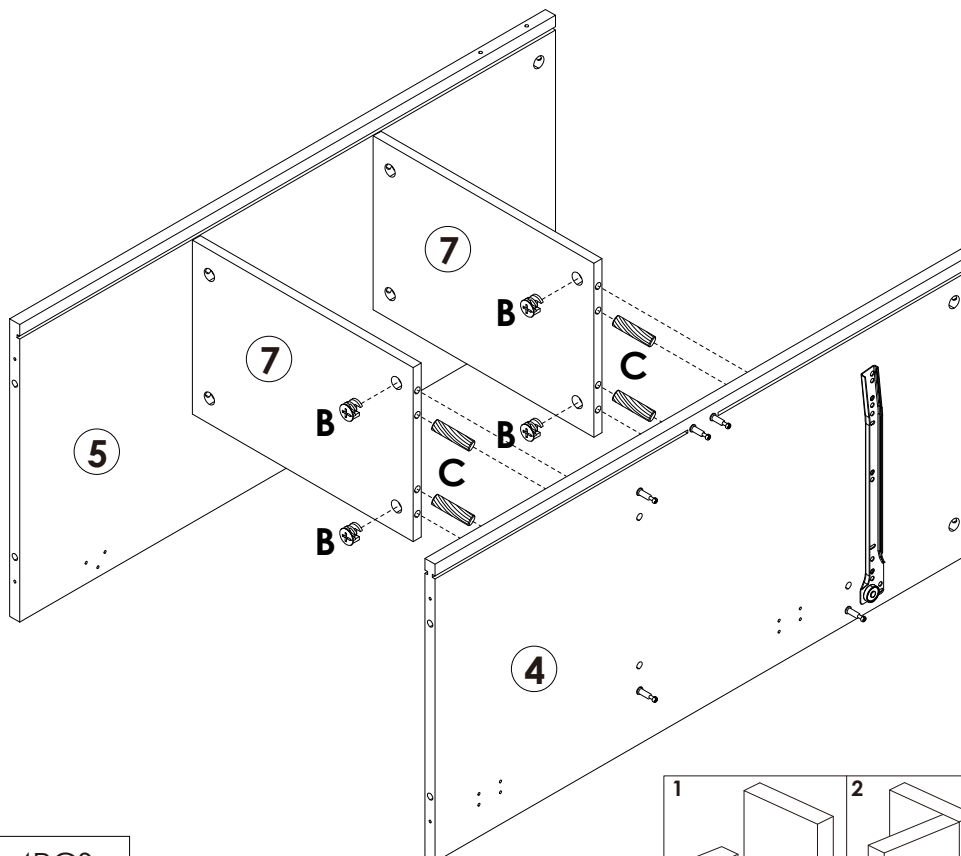
Assembly Steps(EN) / Montageschritte(DE)



STEP 4



	B x 4PCS
	C x 4PCS

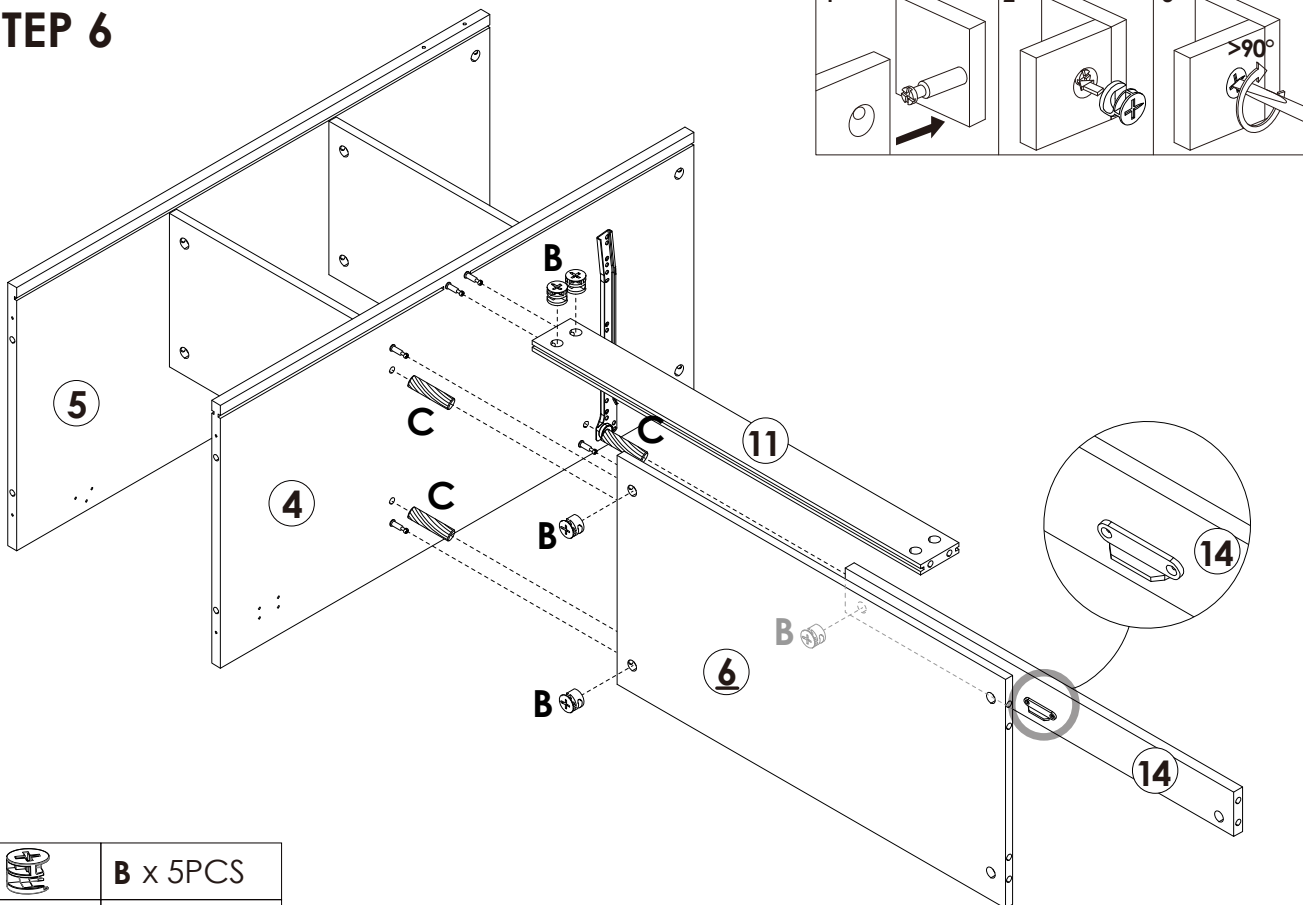
STEP 5





	B x 4PCS
	C x 4PCS

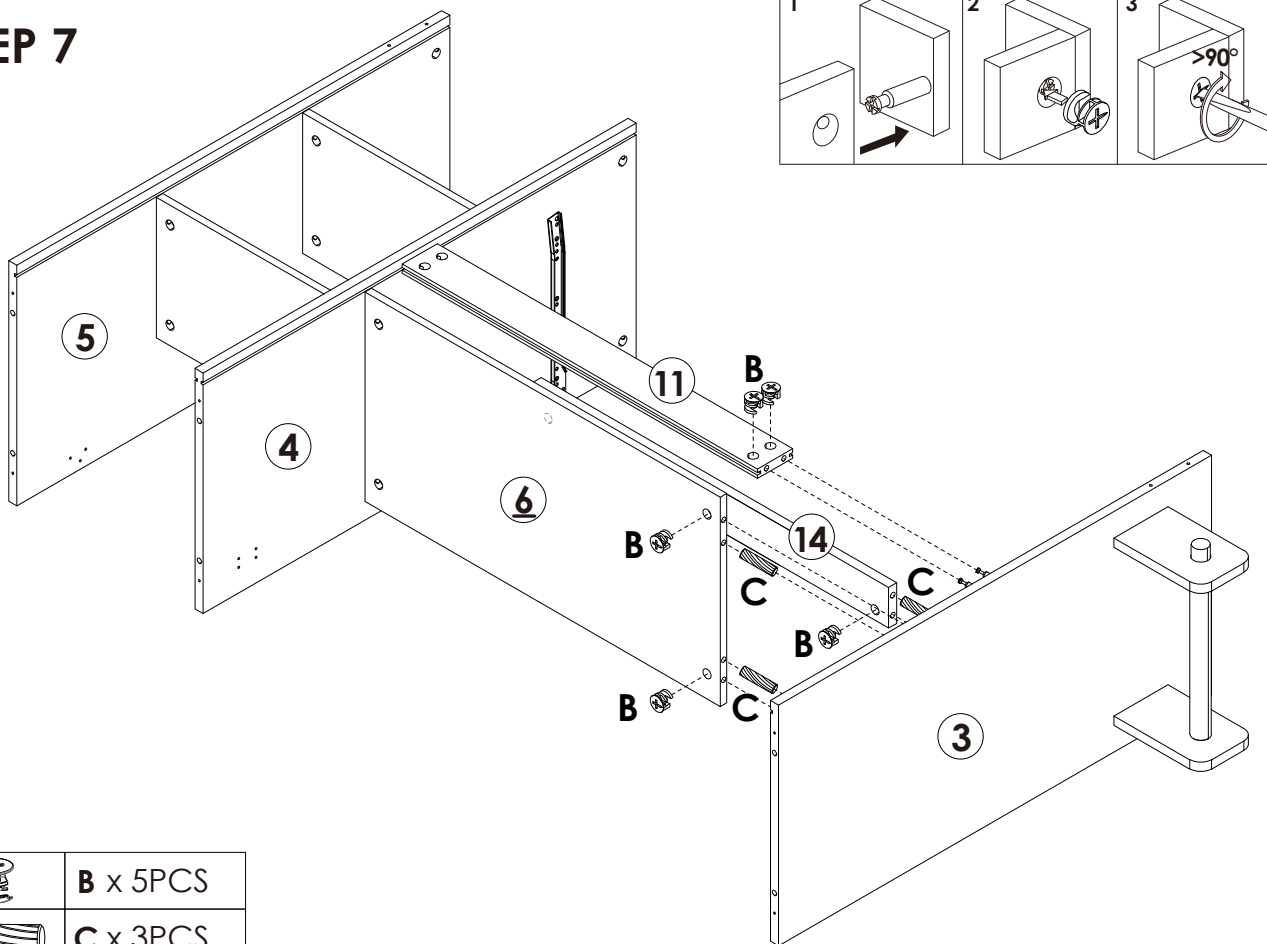
Assembly Steps(EN) / Montageschritte(DE)



STEP 6



	B x 5PCS
	C x 3PCS

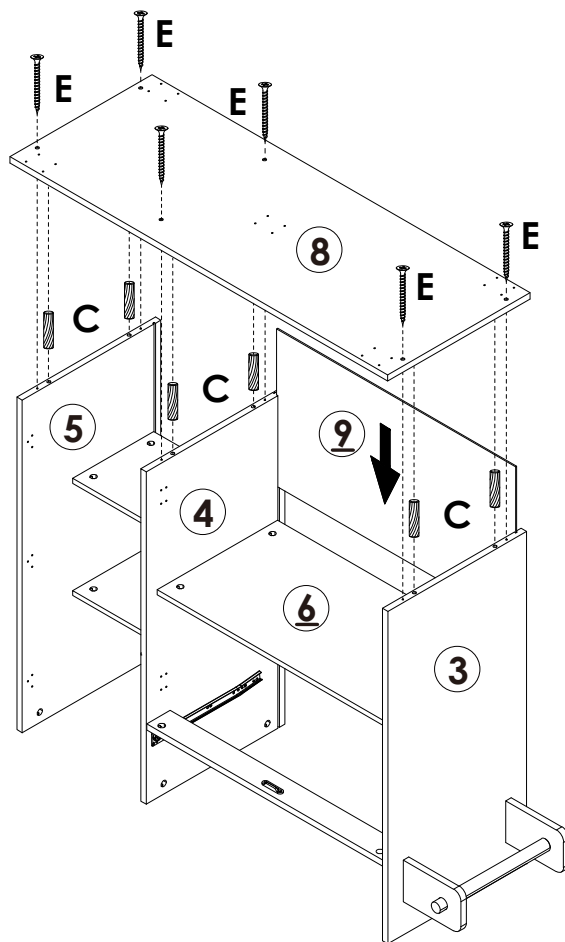
STEP 7


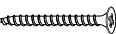


	B x 5PCS
	C x 3PCS

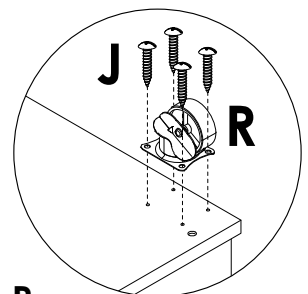
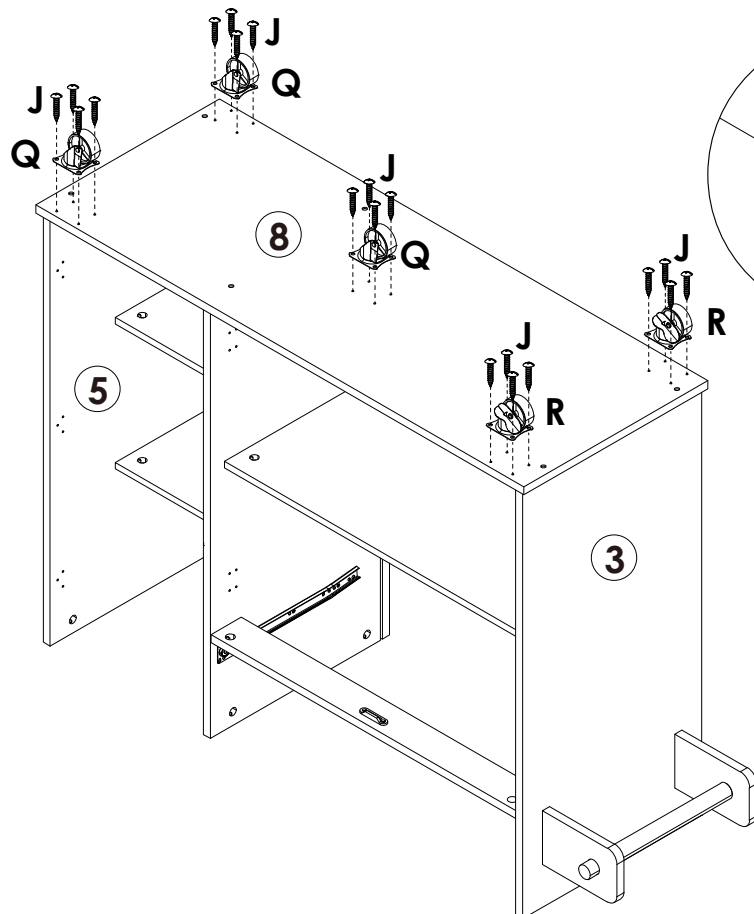
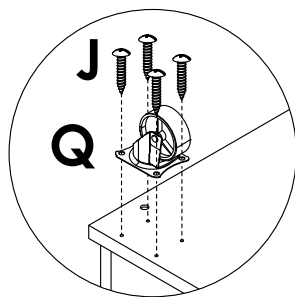
Assembly Steps(EN) / Montageschritte(DE)

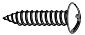


STEP 8



	C x 6PCS
	E x 6PCS

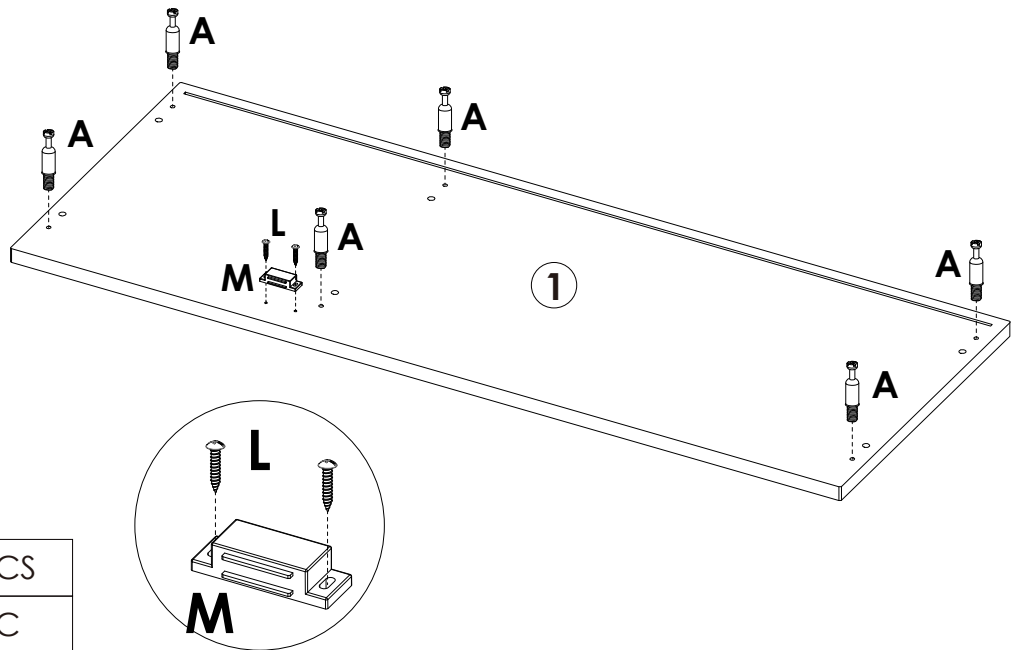
STEP 9

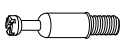
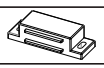



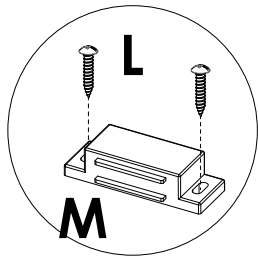
	J x 20PCS
	Q x 3PCS
	R x 2PCS

Assembly Steps(EN) / Montageschritte(DE)

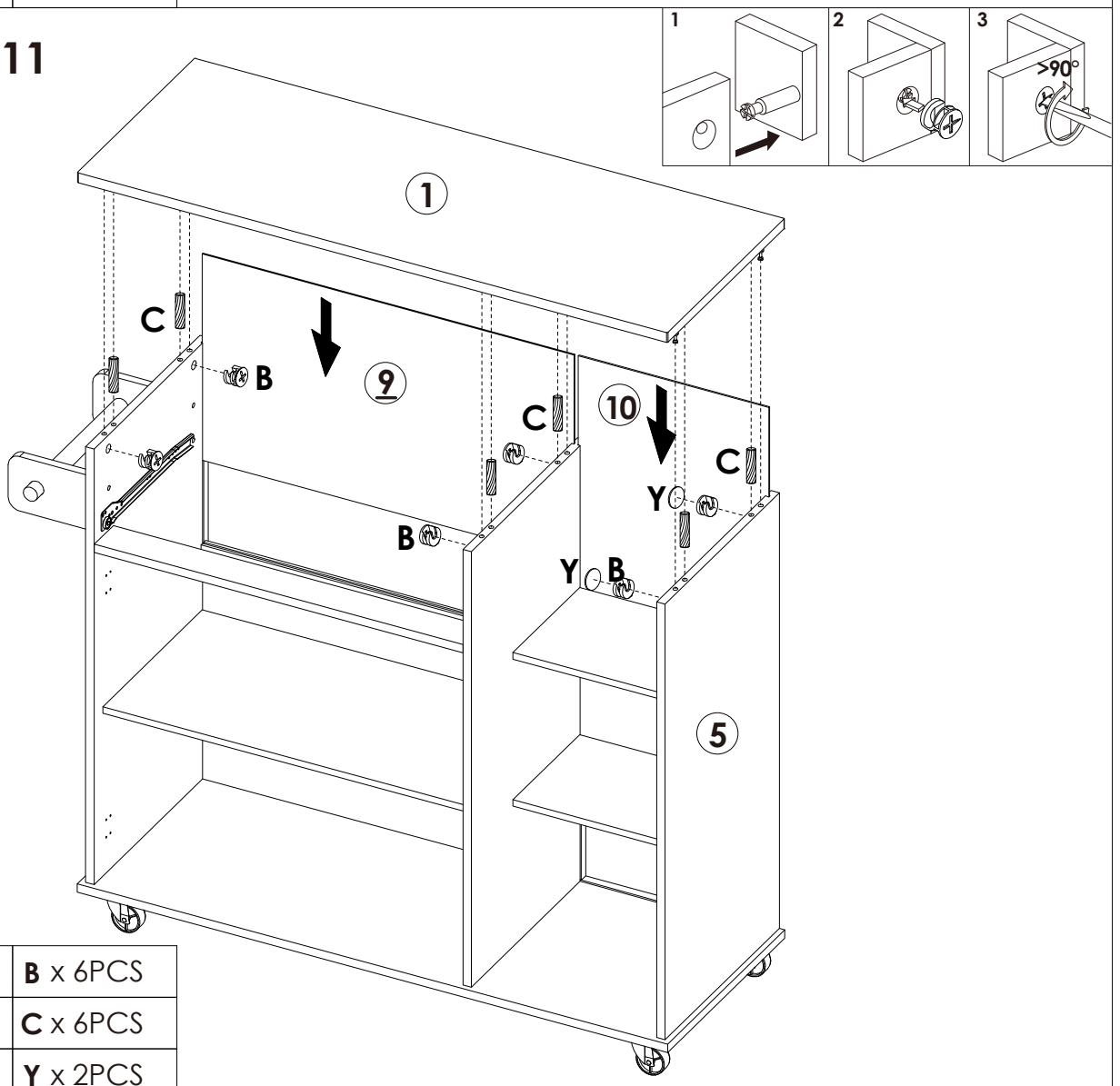
STEP 10






	A x 6PCS
	M x 1PC
	L x 2PCS



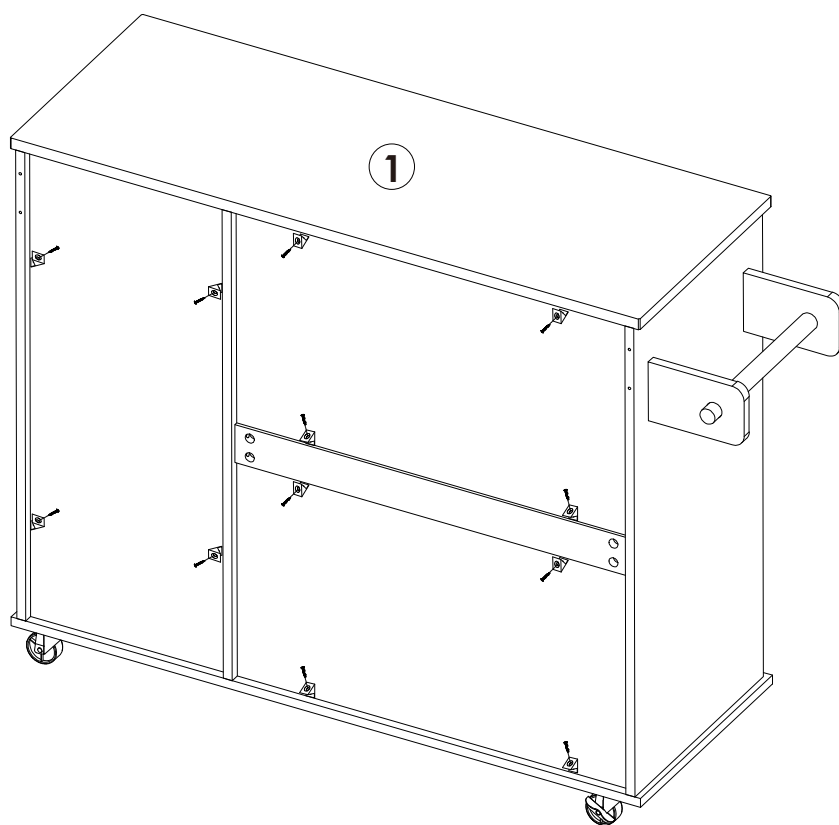
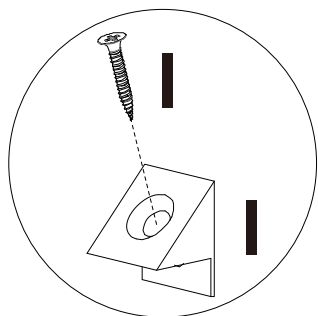
STEP 11



	B x 6PCS
	C x 6PCS
	Y x 2PCS

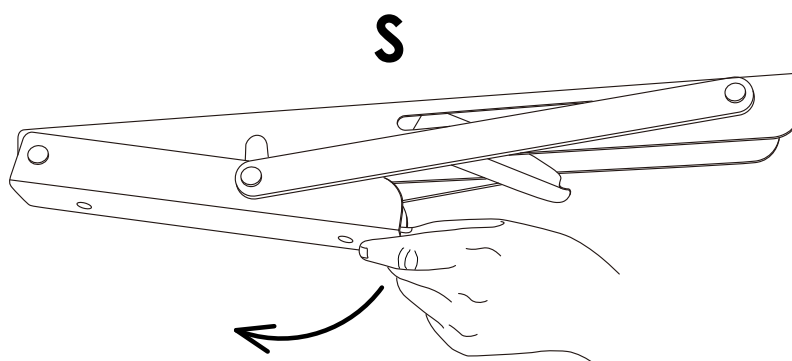
Assembly Steps(EN) / Montageschritte(DE)

STEP 12



  1 x 12PCS

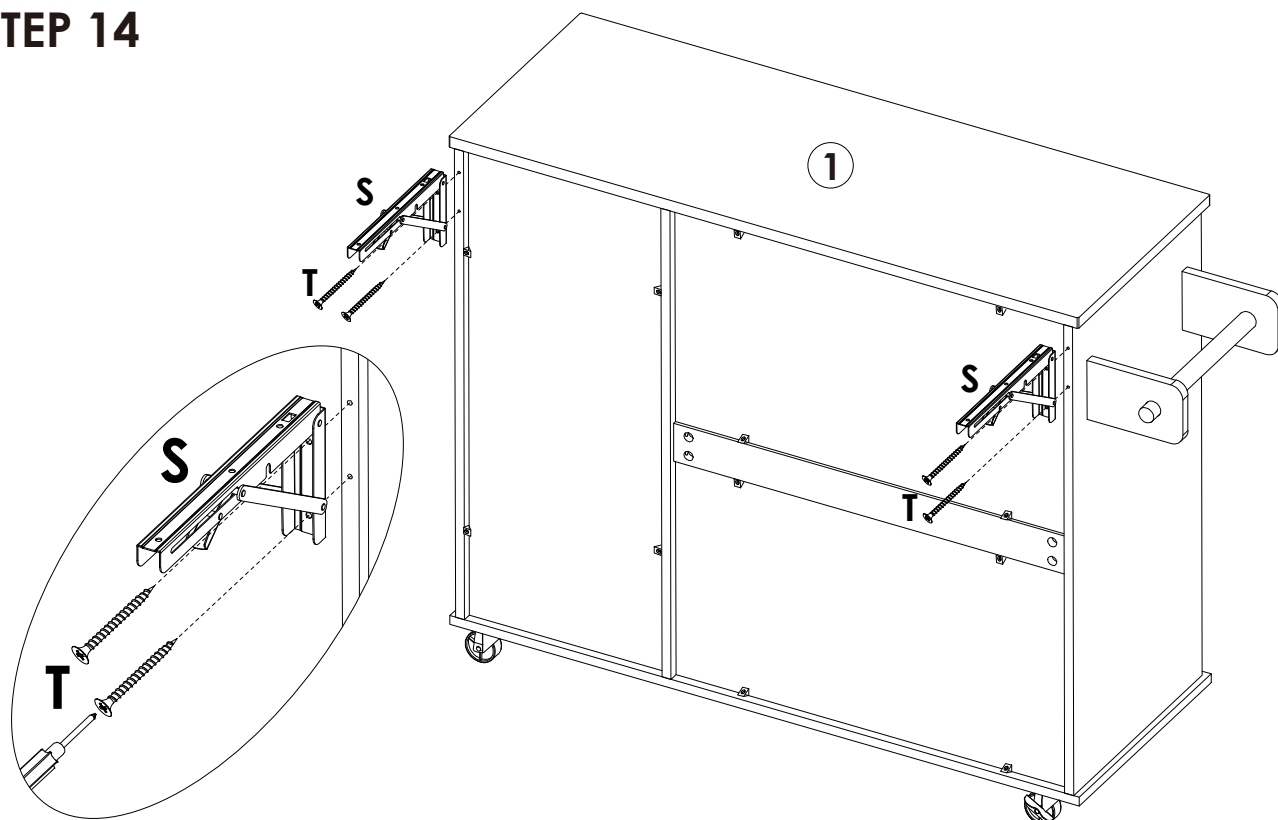
STEP 13


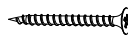


x2

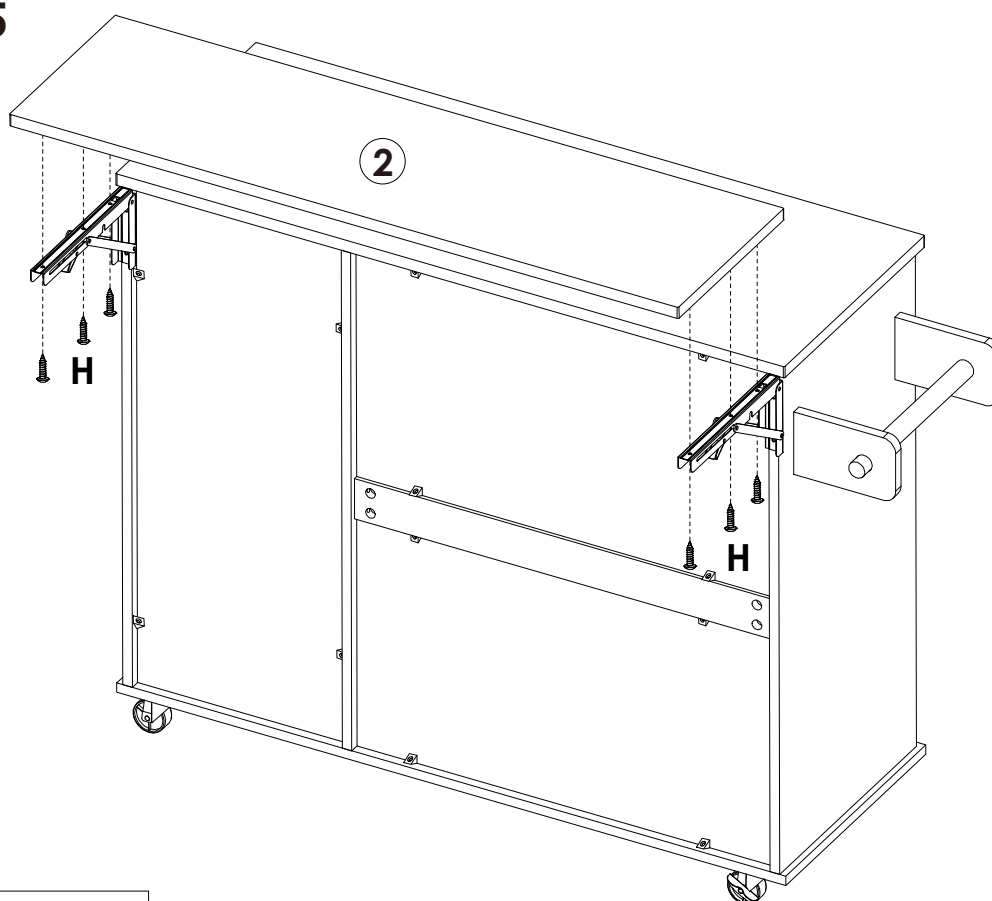
Assembly Steps(EN) / Montageschritte(DE)

STEP 14



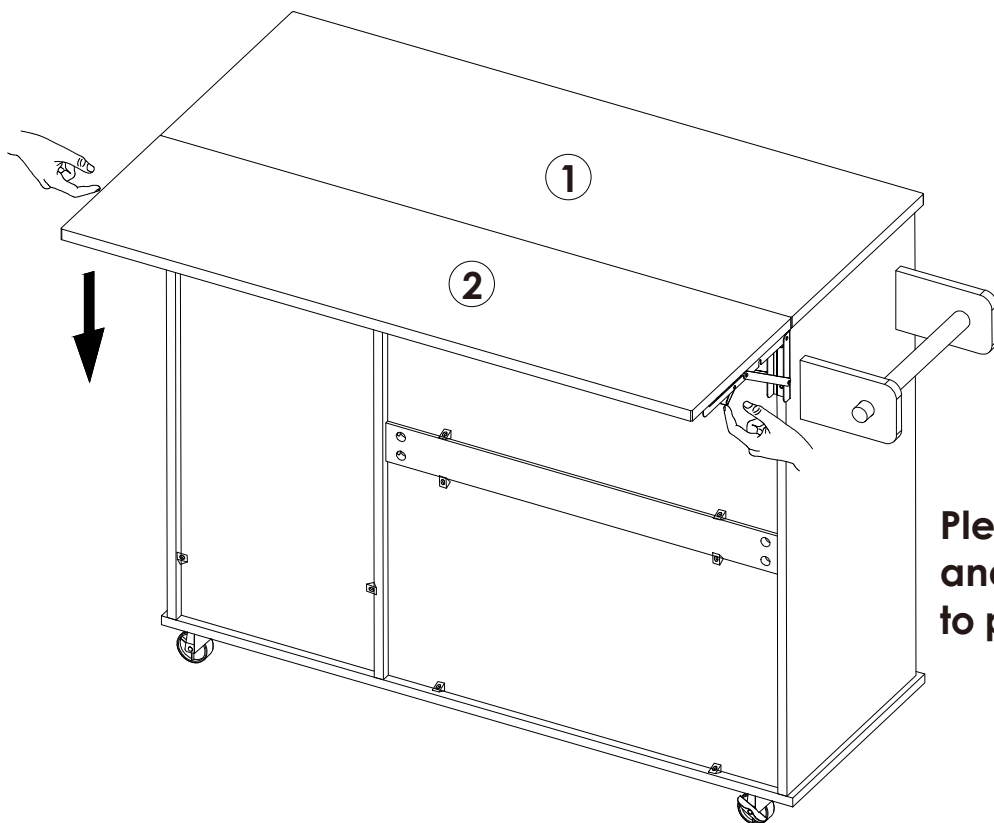
	S x 2PCS
	T x 4PCS

STEP 15

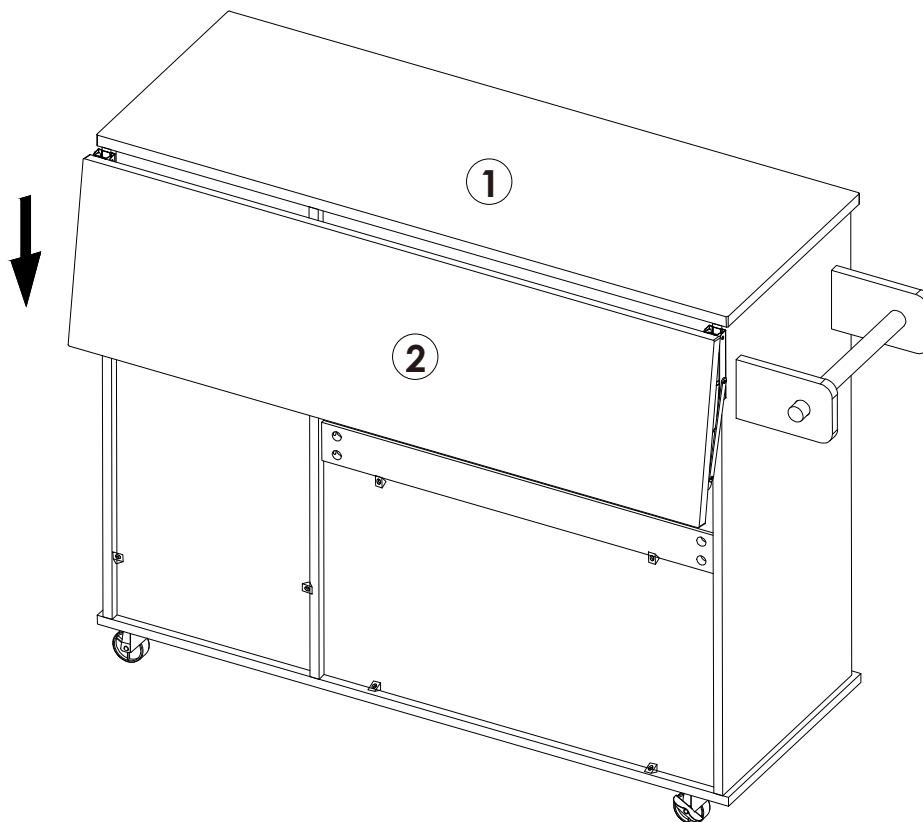


	H x 6PCS
---	----------

STEP 16

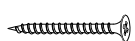
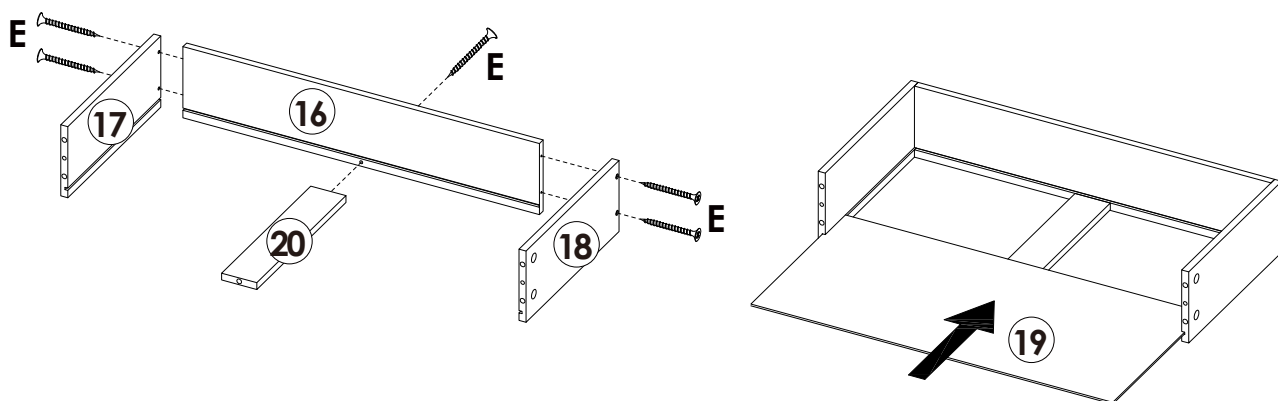


**Please close slowly
and be careful not
to pinch your fingers**



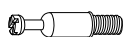
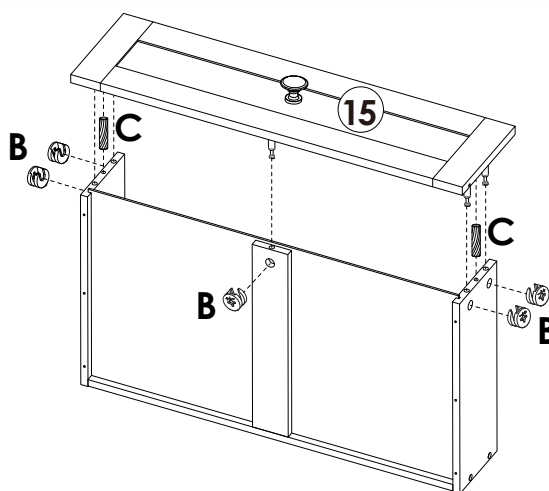
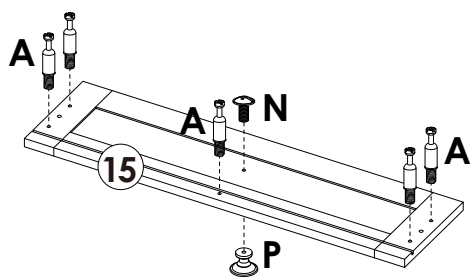
Assembly Steps(EN) / Montageschritte(DE)

STEP 17



E x 5PCS

STEP 18



A x 5PCS



B x 5PCS



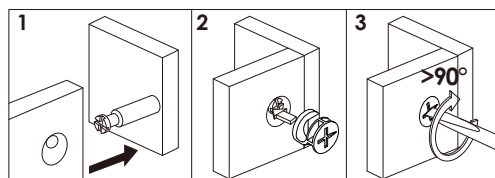
C x 2PCS



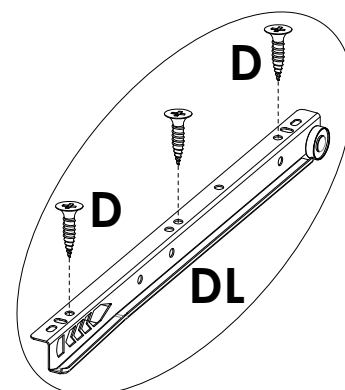
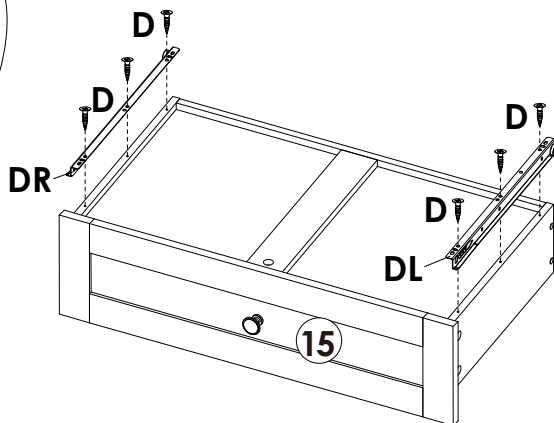
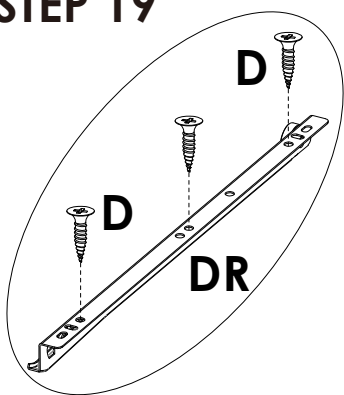
N x 1PC



P x 1PC



STEP 19



D x 6PCS



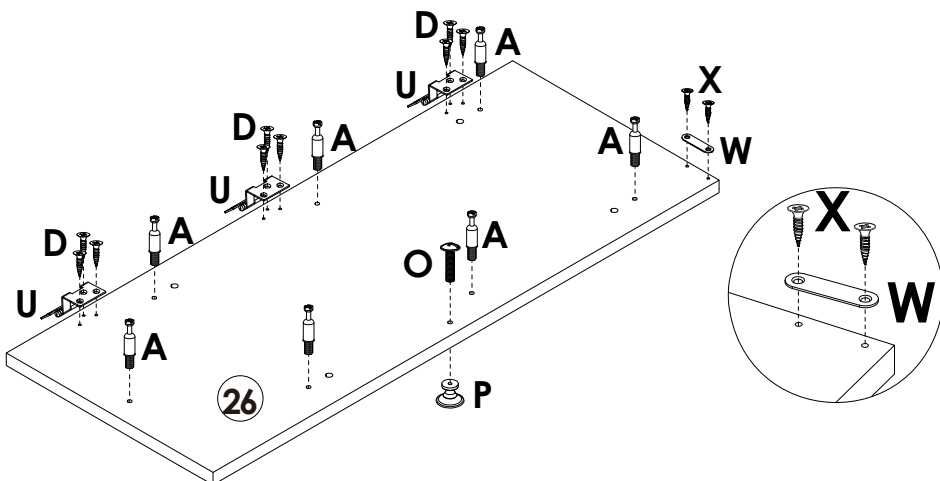
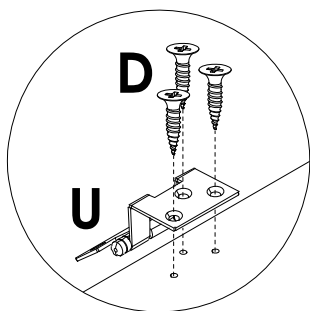
DL x 1PC

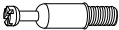



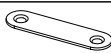




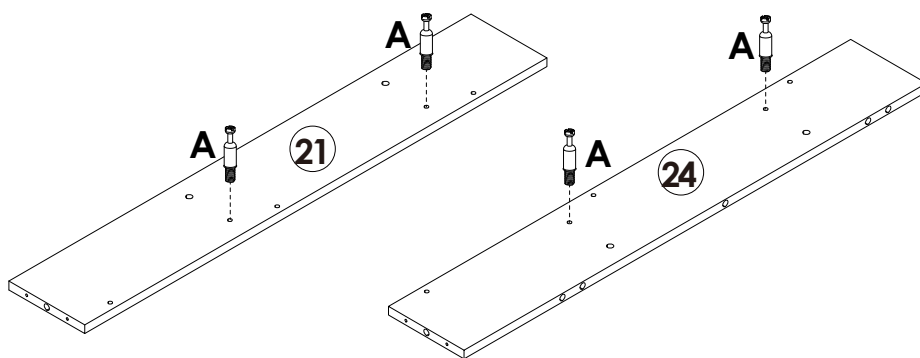
DR x 1PC

Assembly Steps(EN) / Montageschritte(DE)

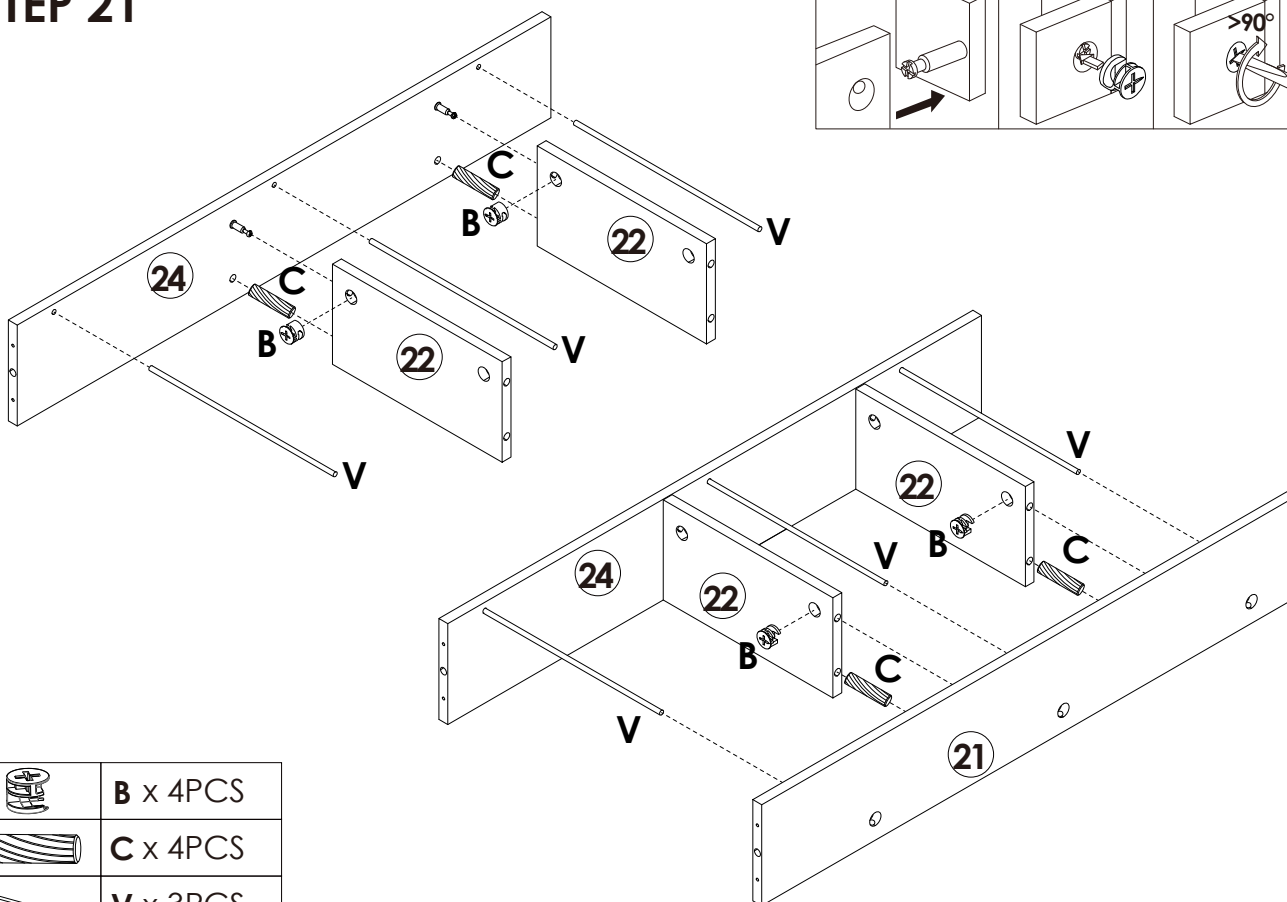
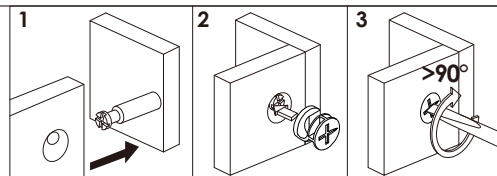
STEP 20



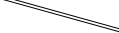


	A x 11PCS
	D x 9PCS
	U x 3PCS
	X x 2PCS
	W x 1PC
	O x 1PC
	P x 1PC



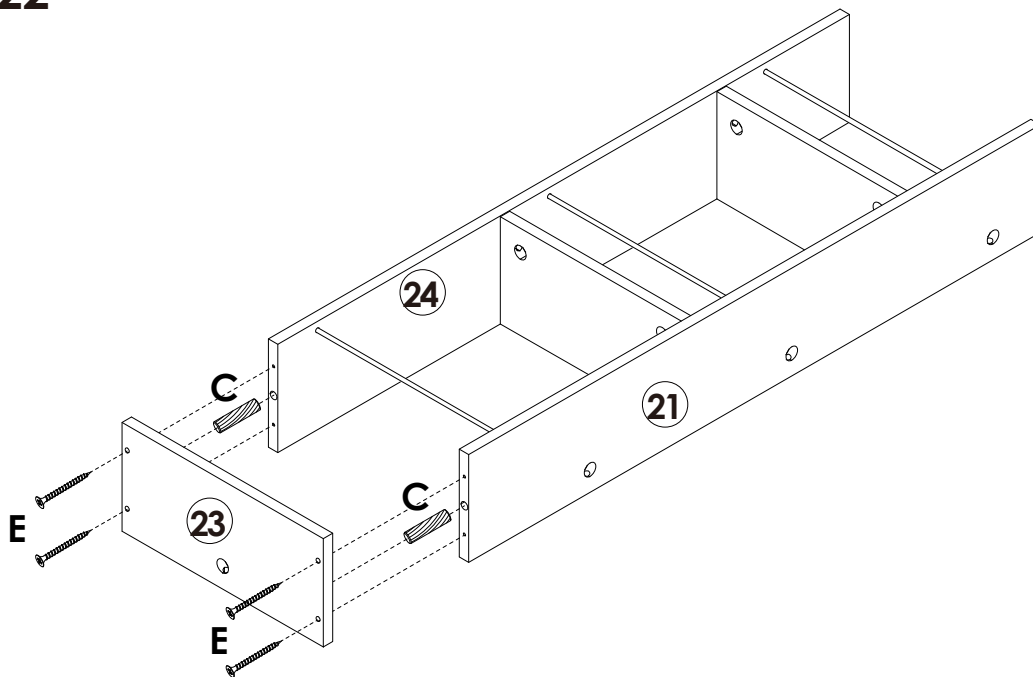
STEP 21


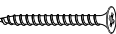


	B x 4PCS
	C x 4PCS
	V x 3PCS

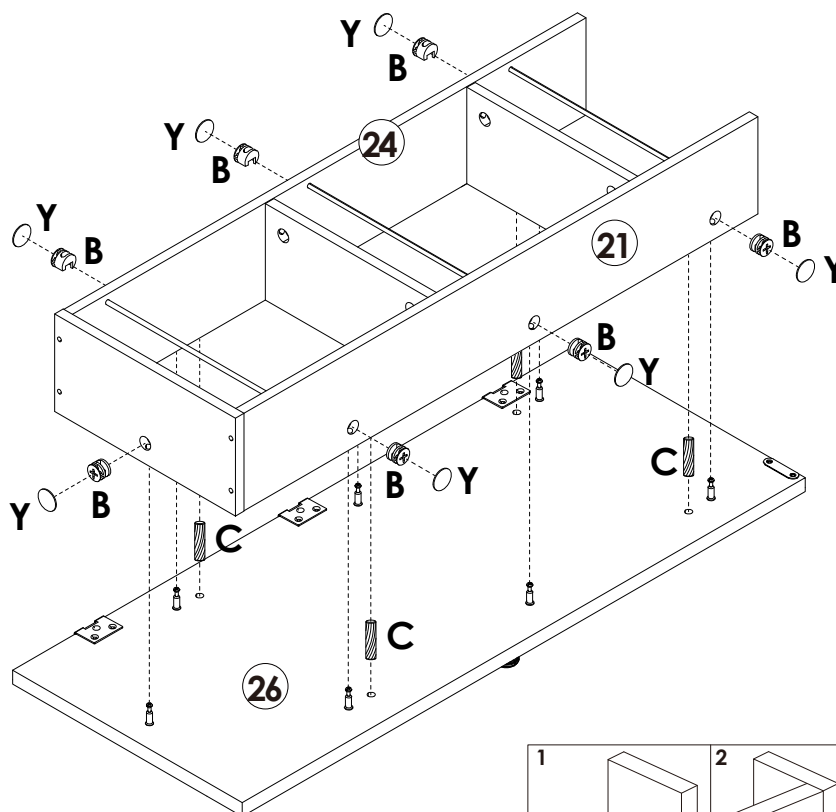
Assembly Steps(EN) / Montageschritte(DE)




STEP 22

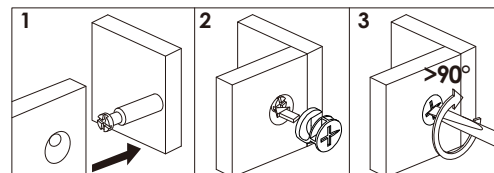


	C x 2PCS
	E x 4PCS

STEP 23

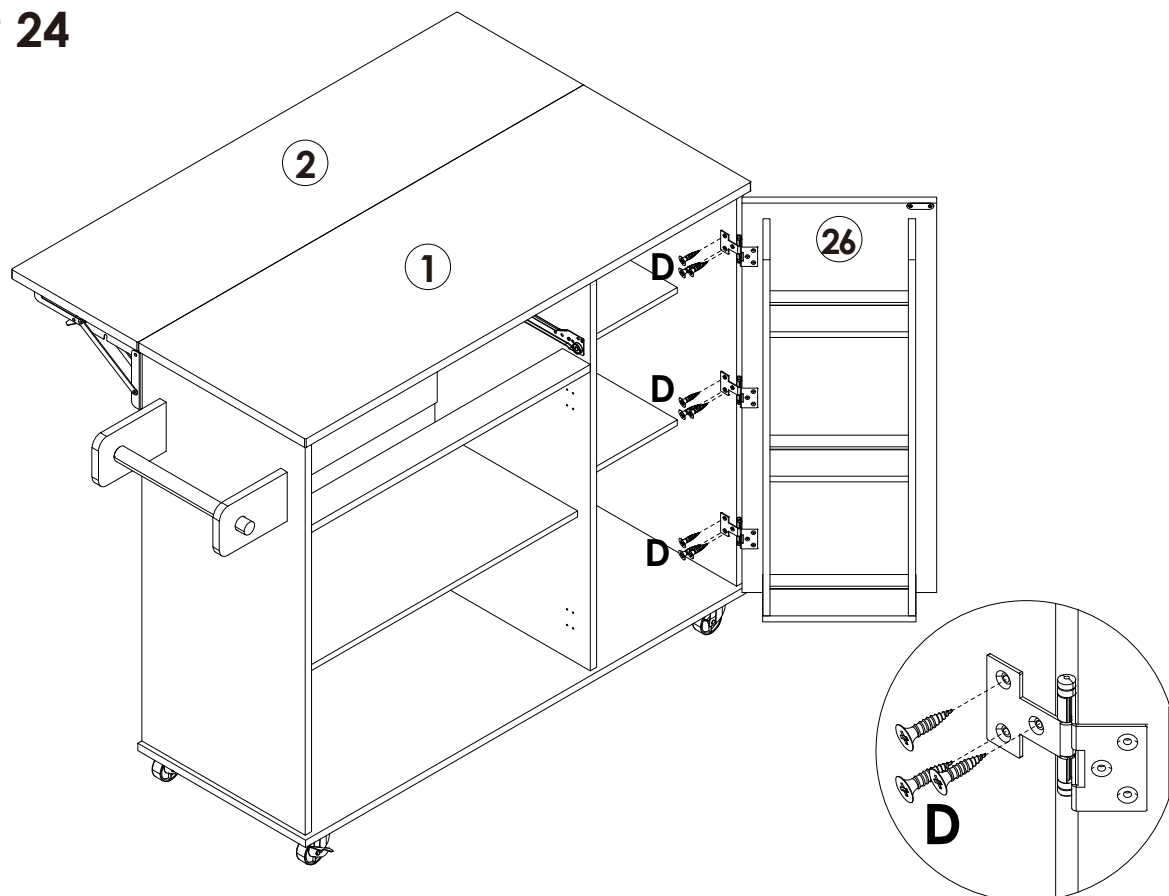


	B x 7PCS
	C x 4PCS
	Y x 7PCS



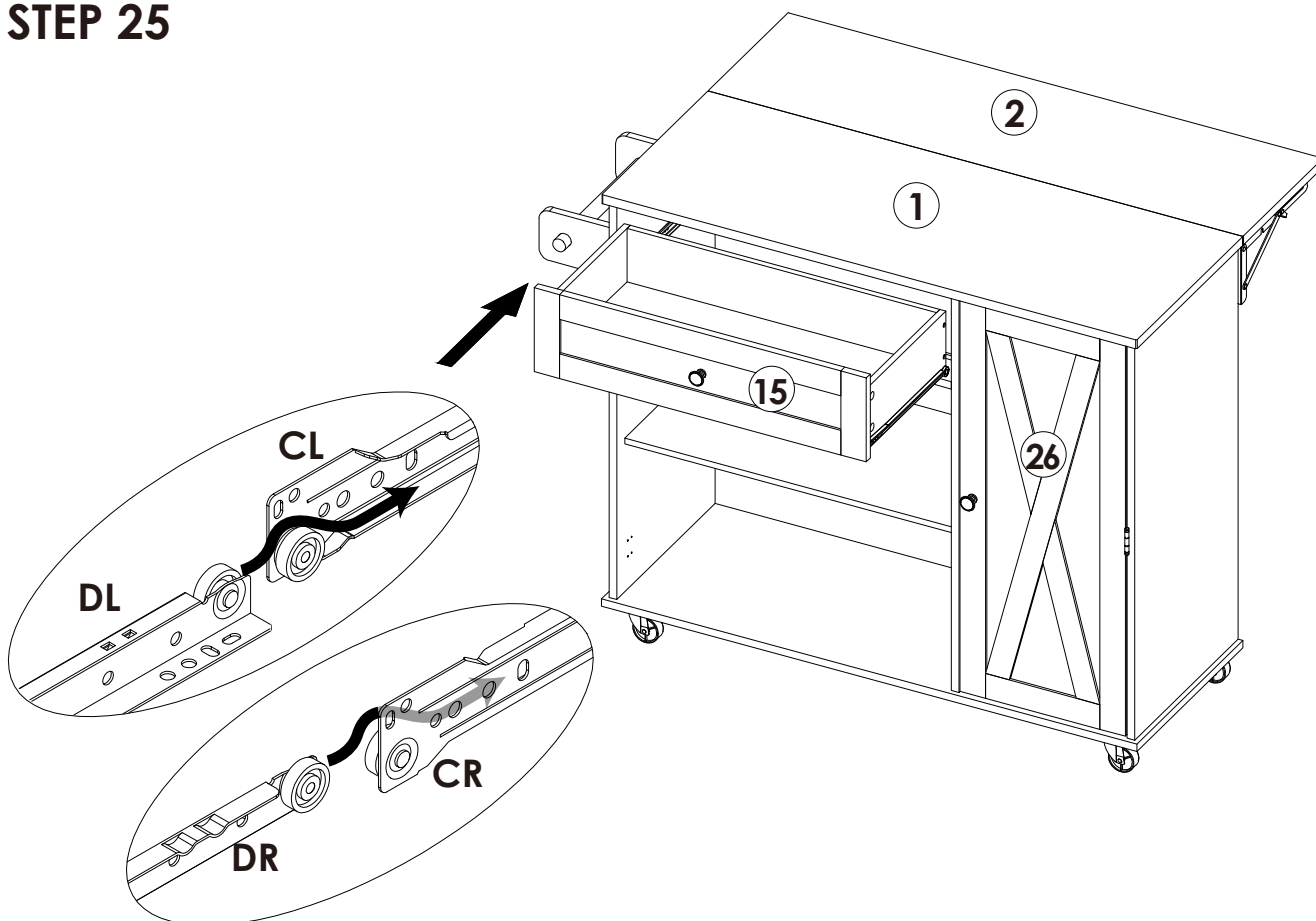
Assembly Steps(EN) / Montageschritte(DE)

STEP 24







D x 9PCS

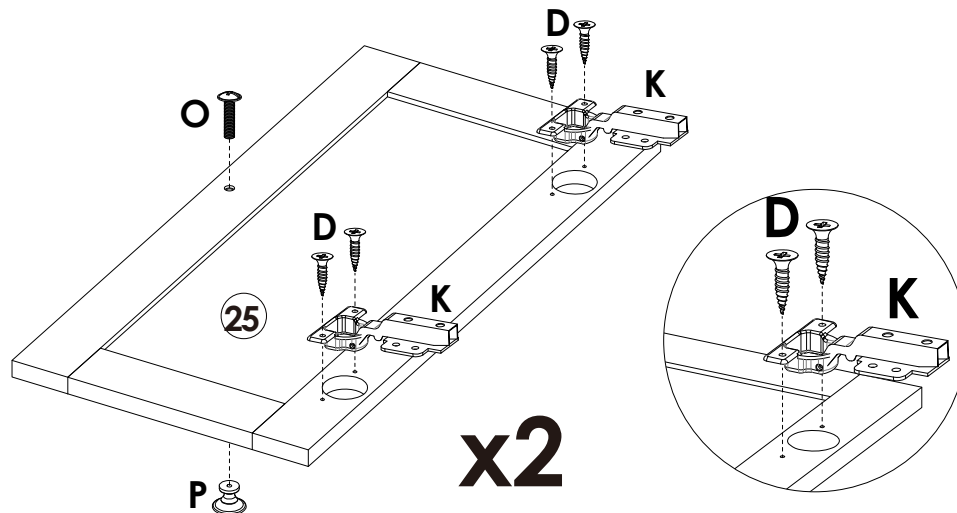
STEP 25



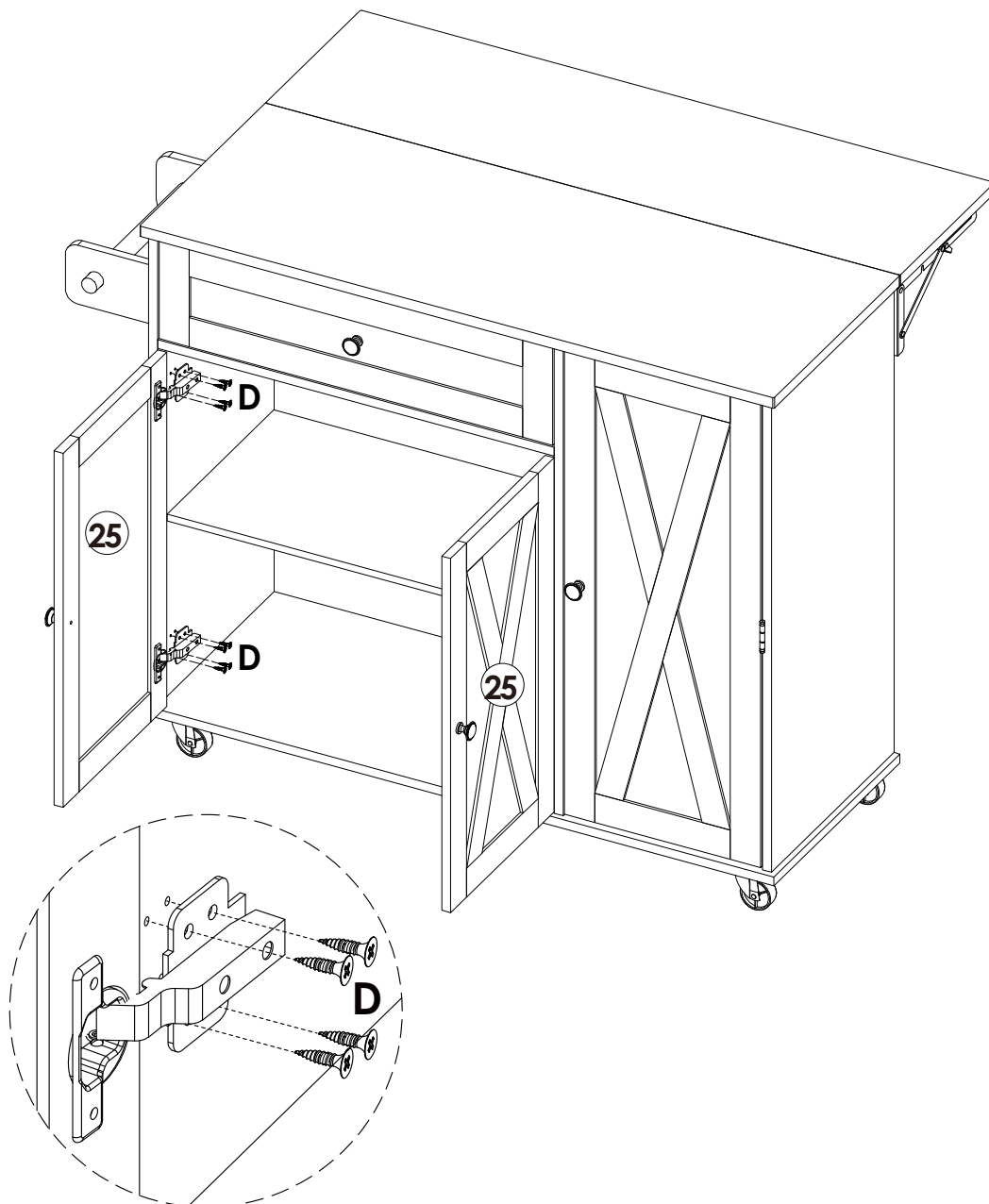
Assembly Steps(EN) / Montageschritte(DE)

STEP 26

	D x 8PCS
	O x 2PCS
	P x 2PCS
	K x 4PCS



STEP 27

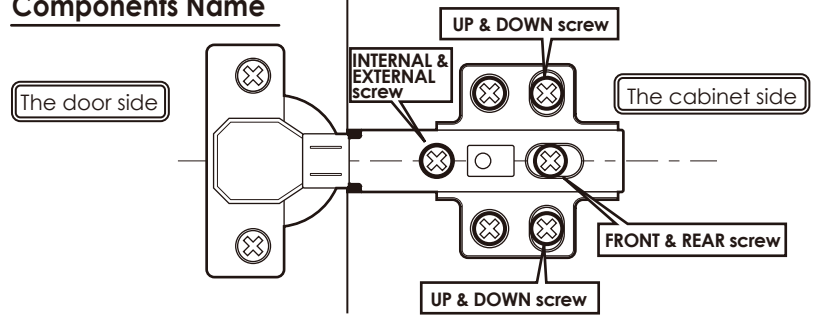


	D x 16PCS
---	------------------

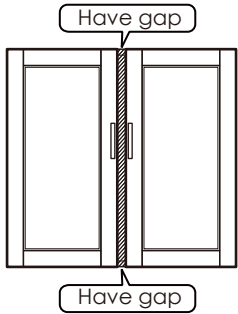
The ways to adjust the door

- Before adjusting the hinge, please check whether the cabinet is skewed.
- If the skew can not be repaired, please remove the anti-tipping device first, then adjust the cabinet to vertical position.
- Please adjust the hinge with the door open.
- Please operate it with more than 2 people, one person holds the door and the other one adjusts the screw.

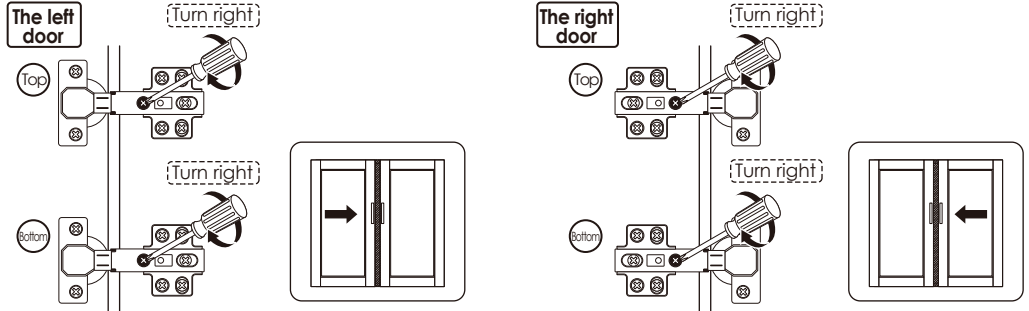
Components Name



Obvious gaps between doors or Doors don't look closed



- 1 Turn "internal & external screw" to the right can make the door approach inside. Please adjust the doors little by little.



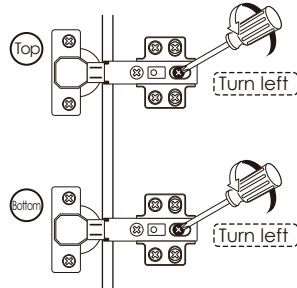
※ If the 2 doors are overlap, please turn the "internal & external screw" to the left.

When door is crooked



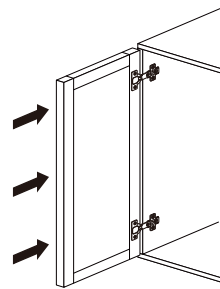
Please take the following steps to adjust first.

- 1 Rotate the "front and rear screws" to the left

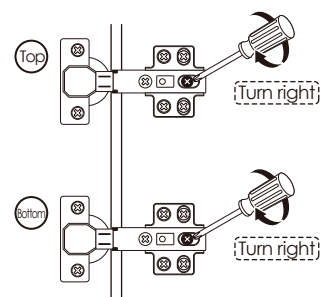


※ After adjusting the "front and rear screw", the door still does not change, please turn the "internal & external screw" to the right slightly.

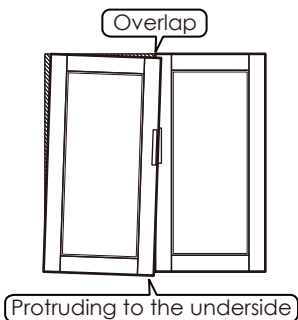
- 2 Push the door to the cabinet



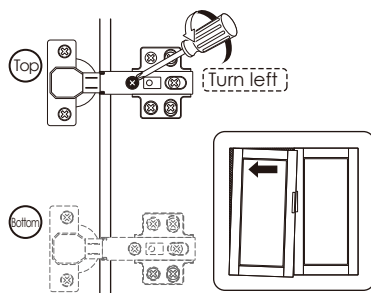
- 3 Rotate the "front and rear screws" to the right



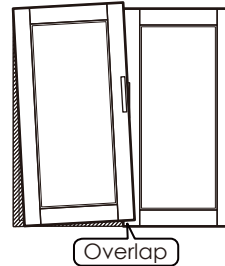
When door is leaning



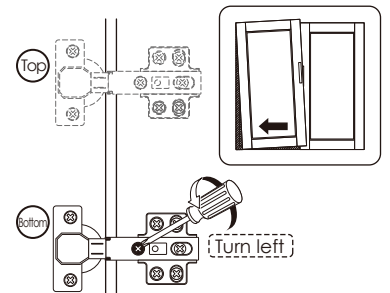
- 1 Turn "internal & external screw" to the left can make the top of the door tilted outward.



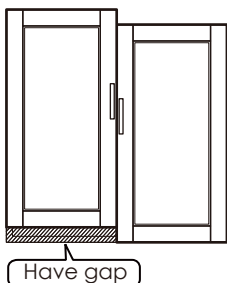
Protruding to the upside



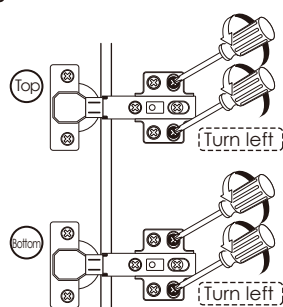
- 1 Turn "internal & external screw" to the left can make the bottom of the door tilted outward.



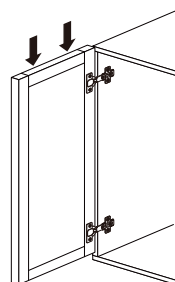
When the door is higher on top



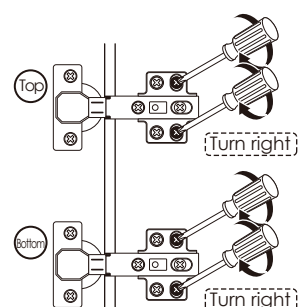
- 1 Turn "up & down screw" to the left



- 2 Lower the door's height so that 2 doors are of the same height.



- 3 Turn "up & down screw" to the right



※ If the door is lower on bottom, please lift up the left door slightly on step 2