

# TV Stand with Drawers

Instruction Manual

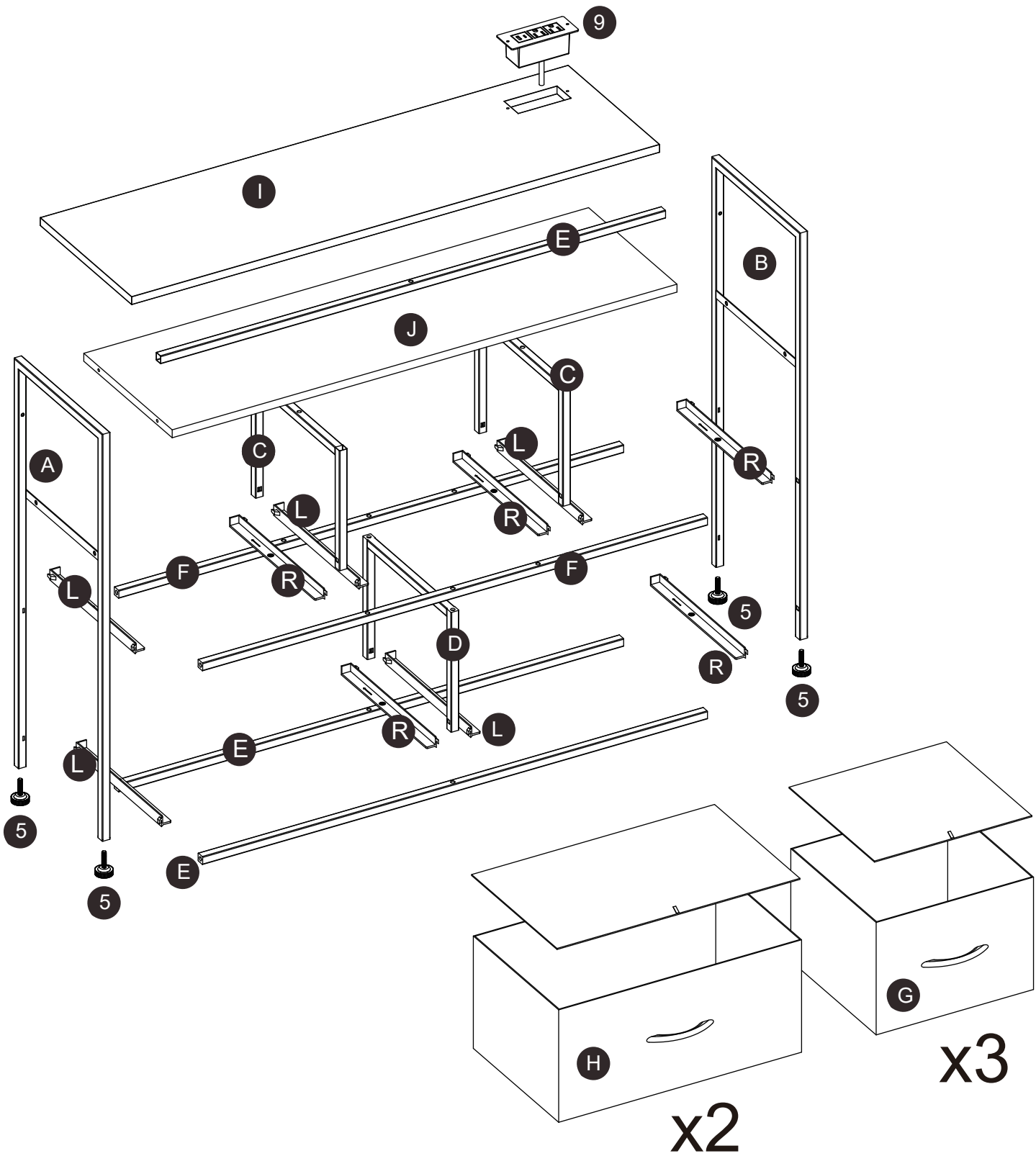
# Mueble para TV con cajones

Manual de instrucciones

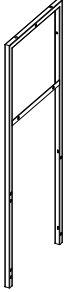
# Meuble TV avec tiroirs

Manuel d'Instruction

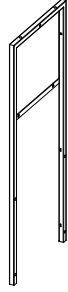




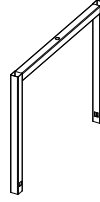
**A** X1



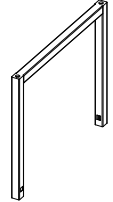
**B** X1



**C** X2



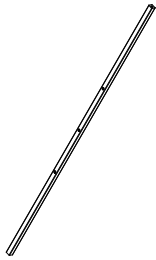
**D** X1



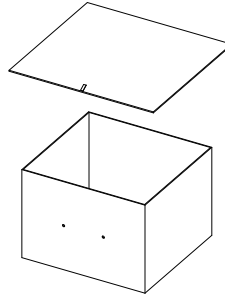
**E** X3



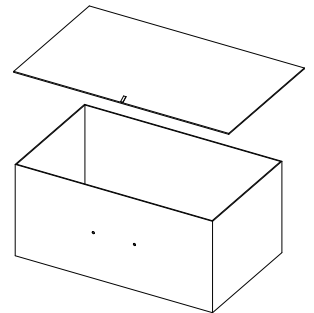
**F** X2



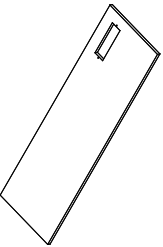
**G** X5



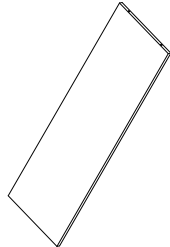
**H** X5



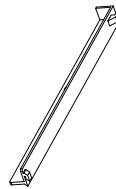
**I** X1



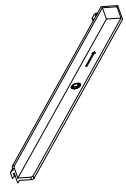
**J** X1



**R** X3



**L** X3

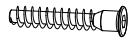


**1 X25**



M6\*25mm

**2 X4**



M6\*40mm

**3 X5**



C-C 96mm

**4 X12**



M4\*12mm

**5 X4**



M6\*15mm

**6 X2**



M4\*45mm

**7 X2**

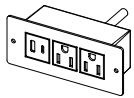


M6\*28mm

**8 X1**



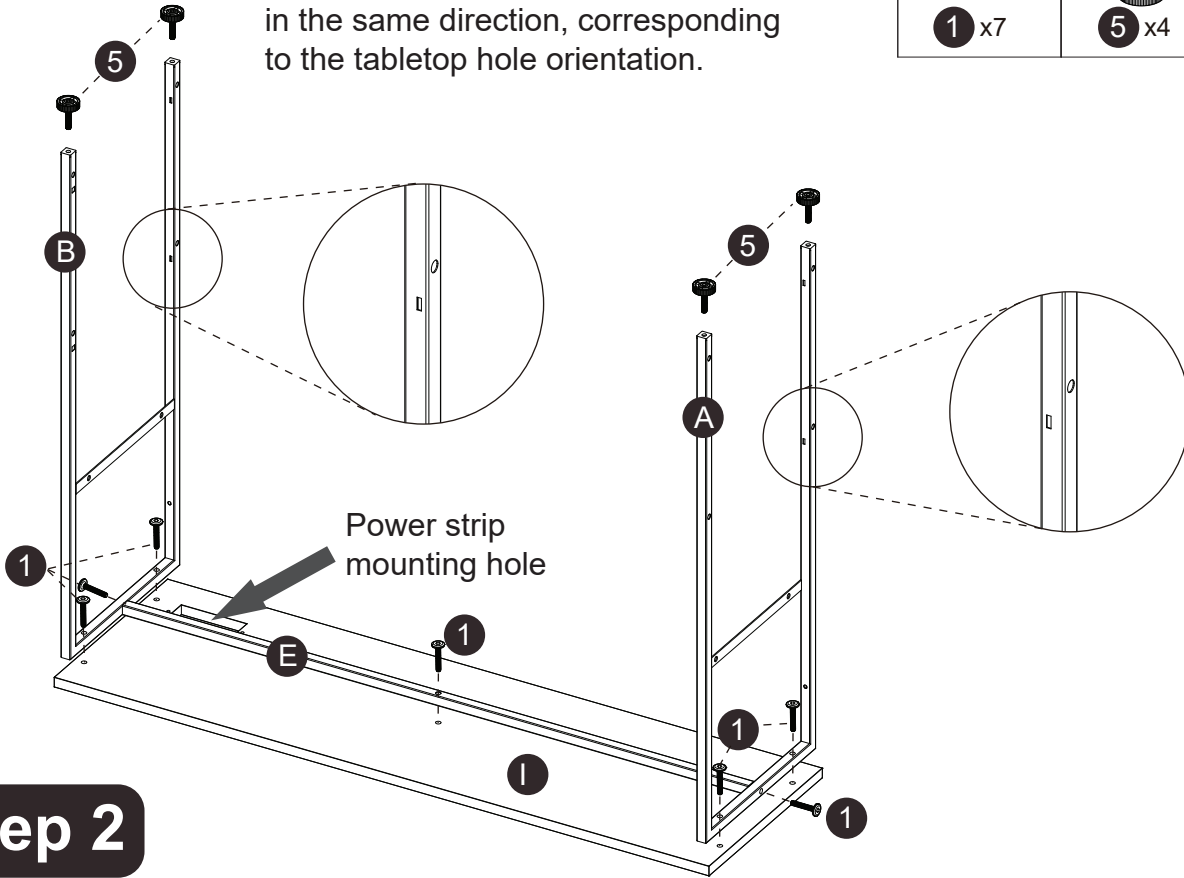
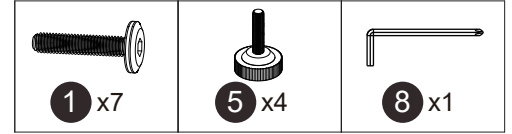
**9 X1**



3

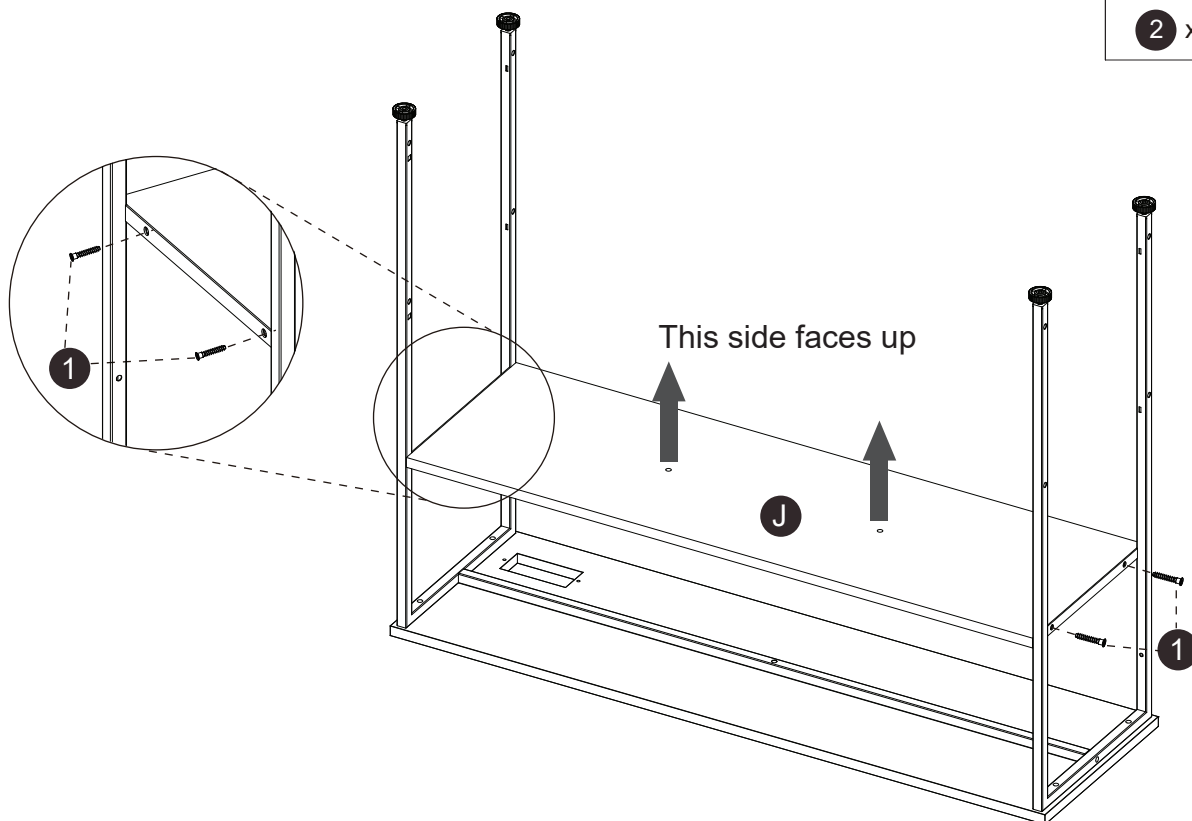
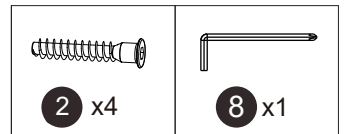
# Step 1

Accessories A and B are aligned in the same direction, corresponding to the tabletop hole orientation.



Tighten the nuts halfway.

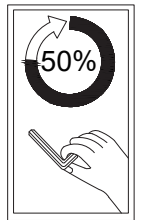
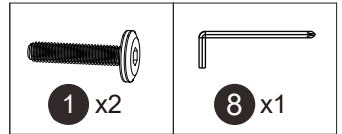
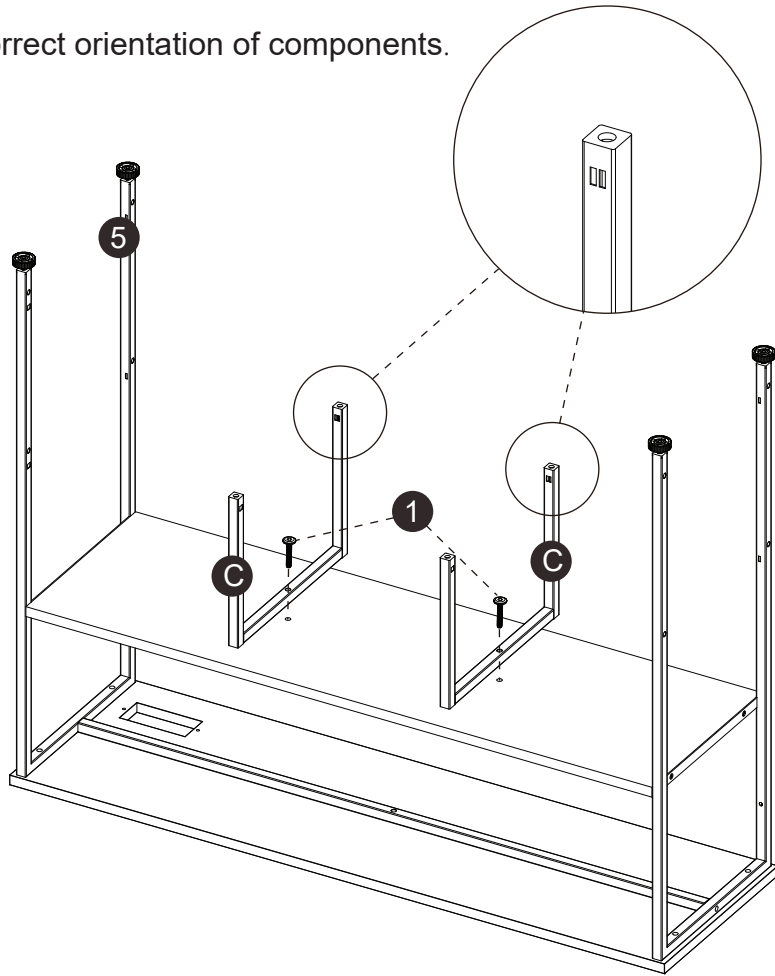
# Step 2



Tighten the nuts halfway.

# Step 3

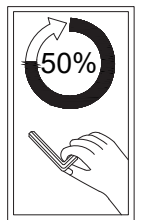
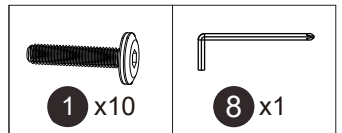
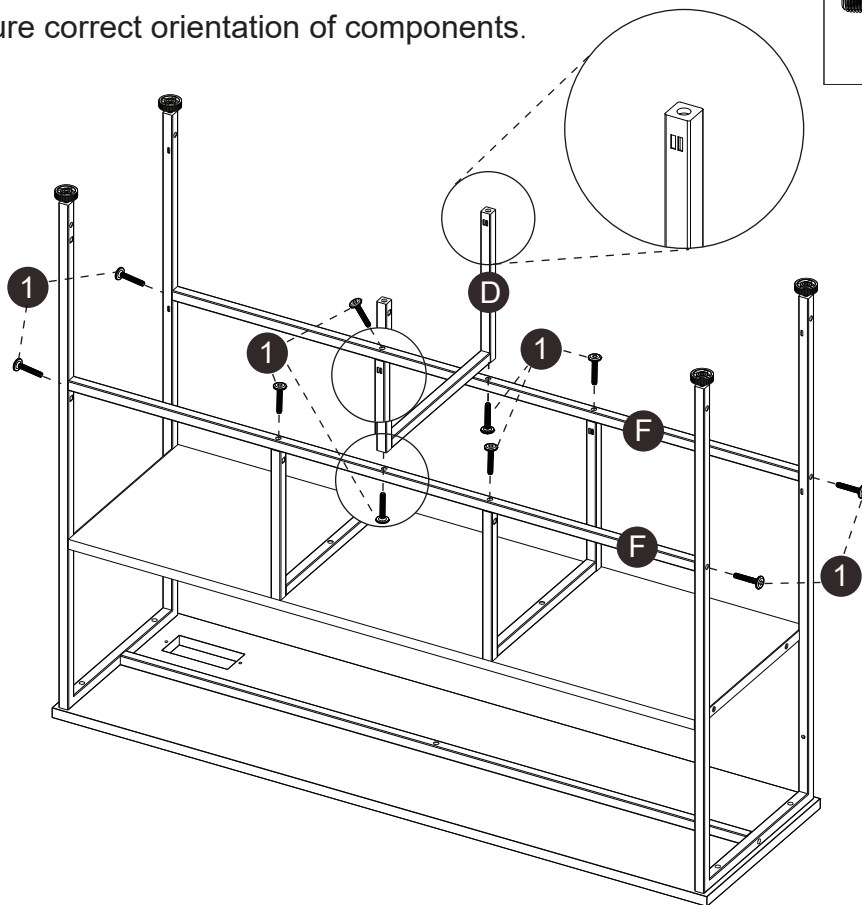
Ensure correct orientation of components.



Tighten the nuts halfway.

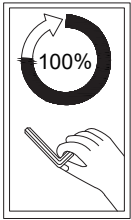
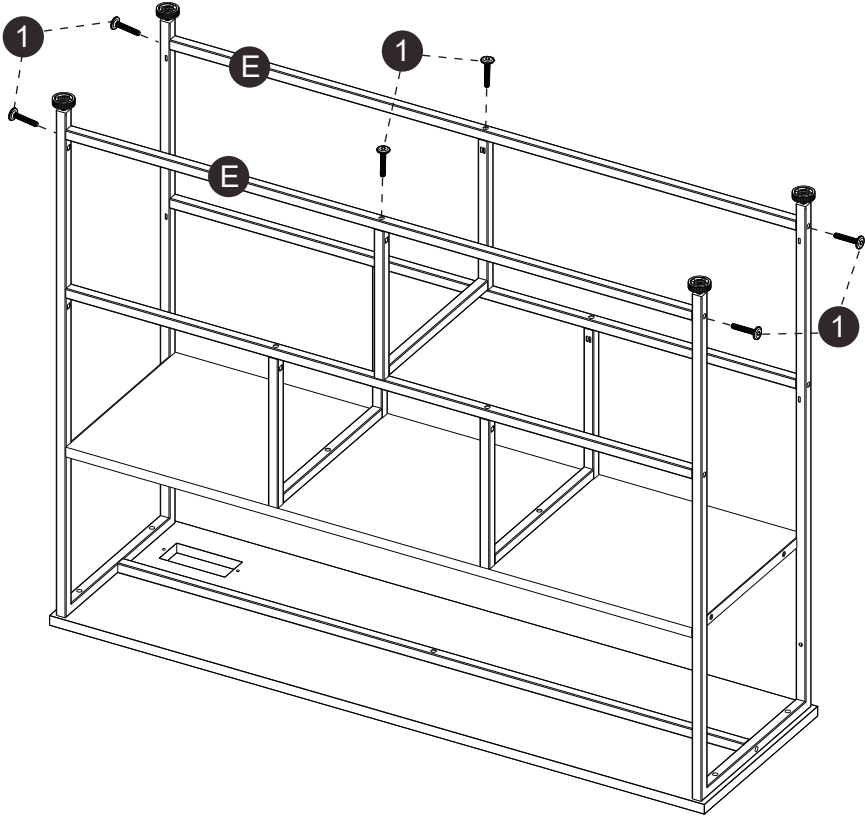
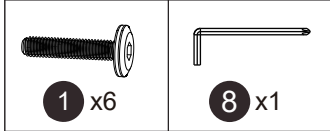
# Step 4

Ensure correct orientation of components.



Tighten the nuts halfway.

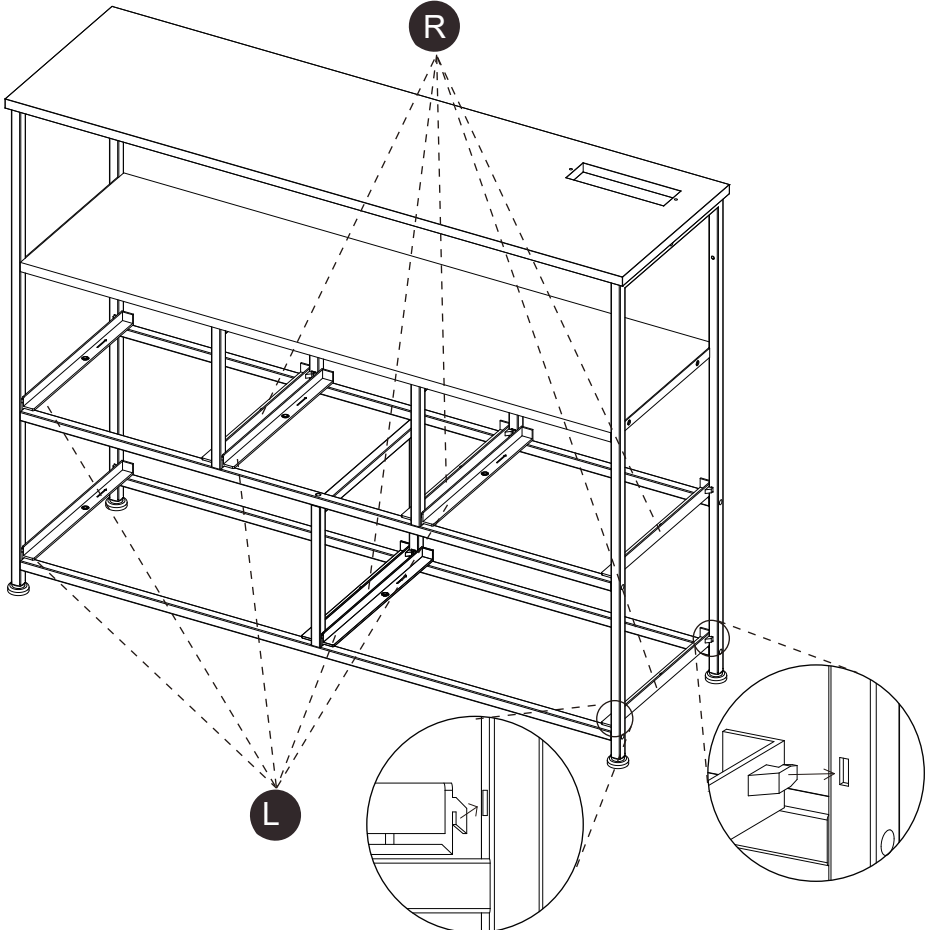
# Step 5



Tighten all nuts completely

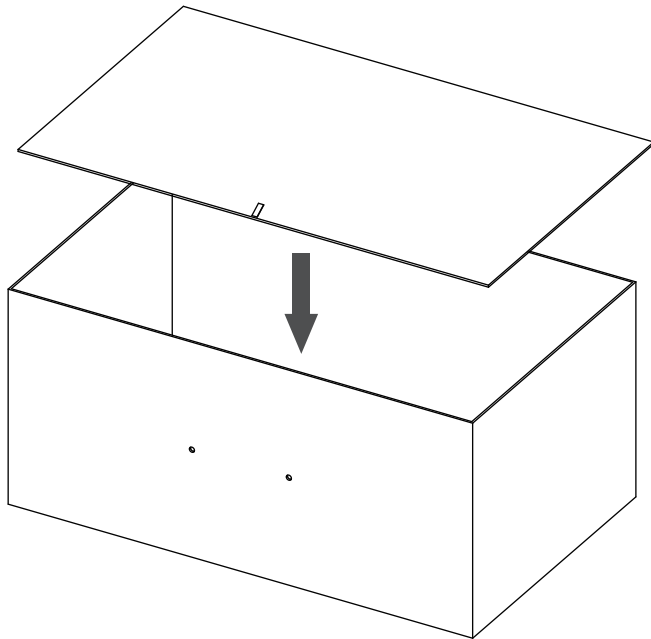
# Step 6

Turn the table over and install the plastic guide rail.

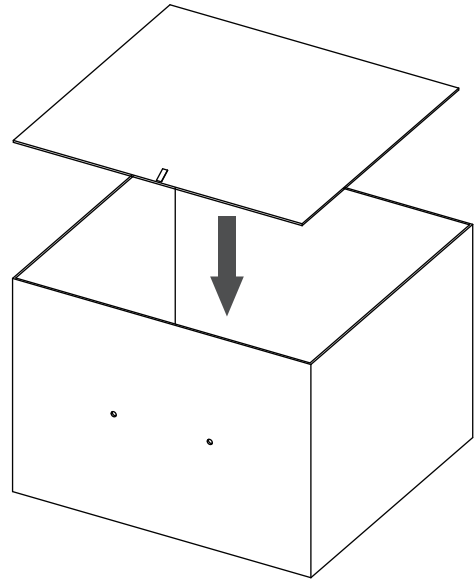


# Step 7

Assemble the cloth drawer.



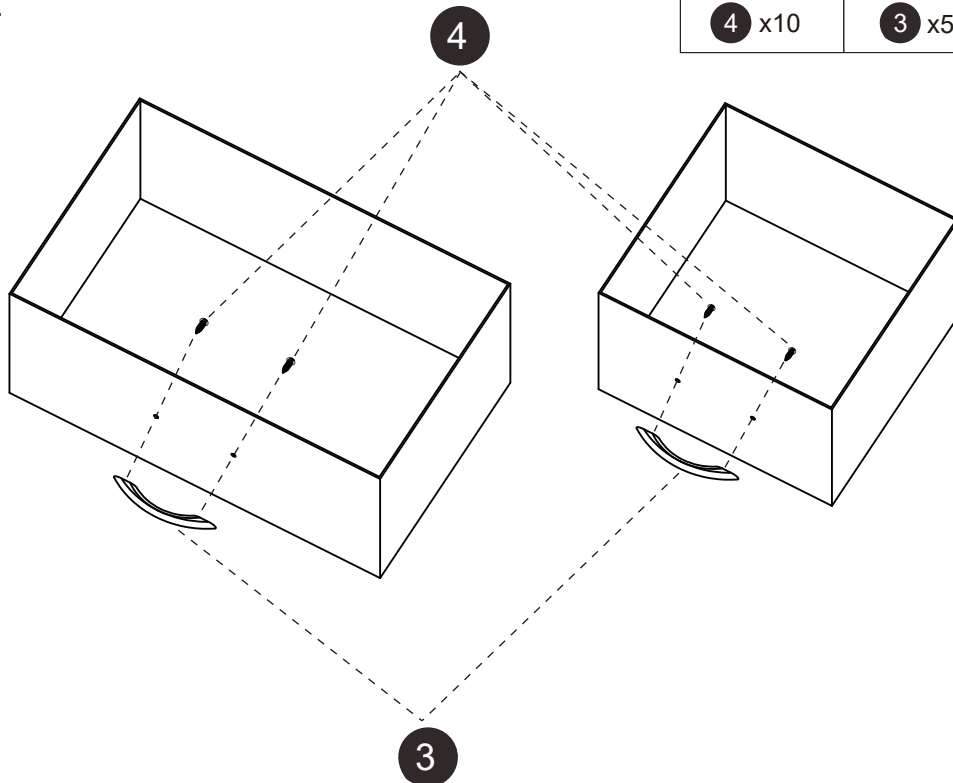
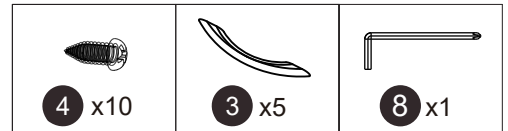
**H** x2



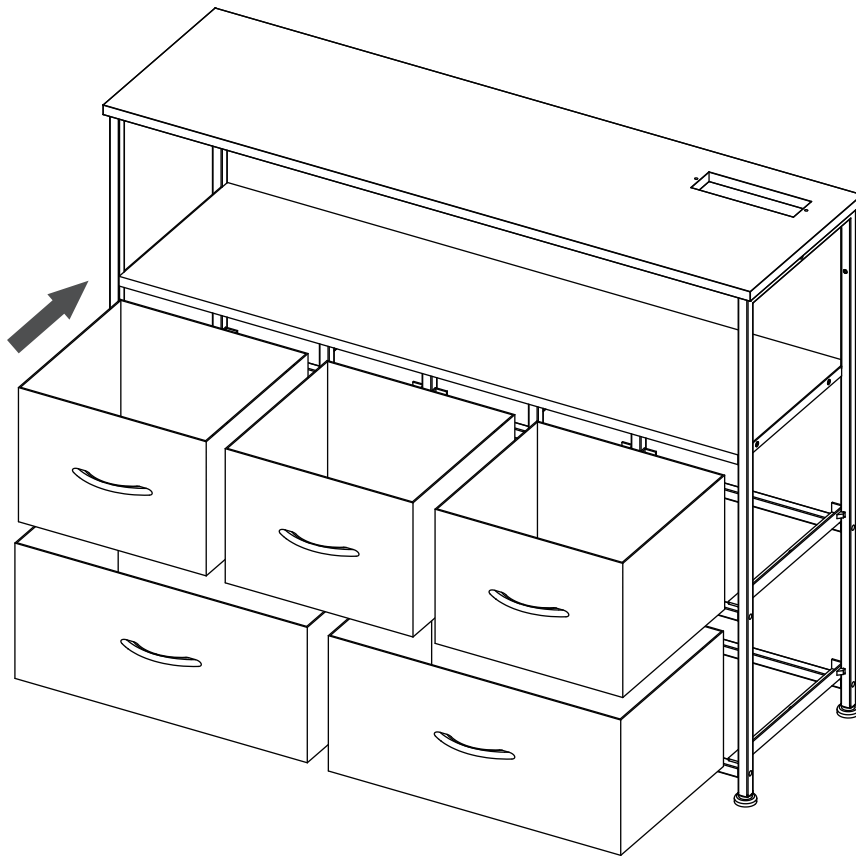
**G** x3

# Step 8

Install the handle.

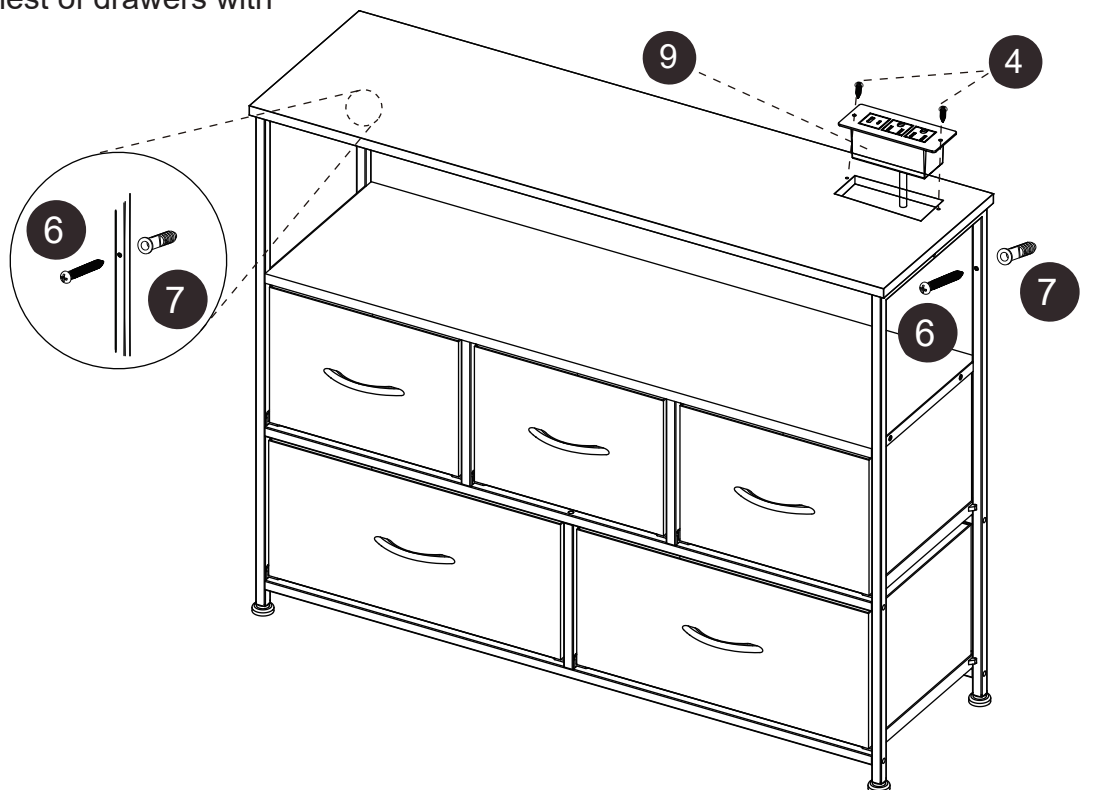
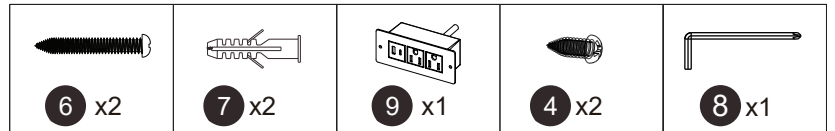


## Step 9



## Step 10

If you need to attach the chest of drawers to the wall, drill holes in the wall using an electric drill, then insert the Expansion Tube (6)\*2 and secure the chest of drawers with the Screws (7)\*2.



# Step 11

---



