

Metal Storage Cabinet Instruction Manual

Your new Metal Storage Cabinet has arrived and it will make your life so much easier. That's why we put so much effort into designing it to perfectly fit your needs.

But first things first, we need to install it!

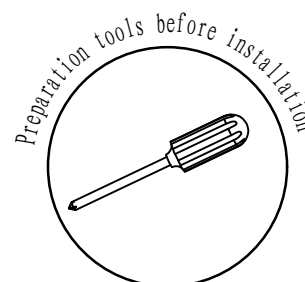
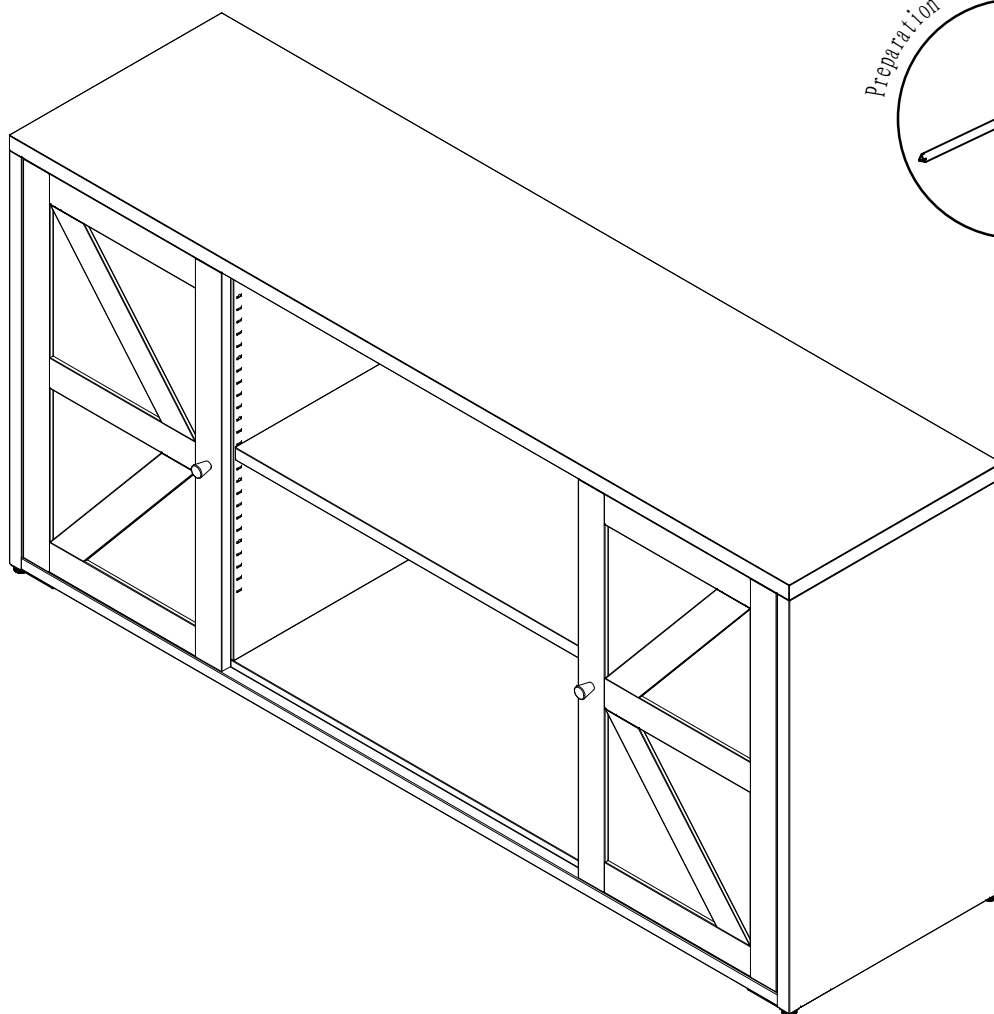
When we say 'we', we mean we're going to guide you, step by step.

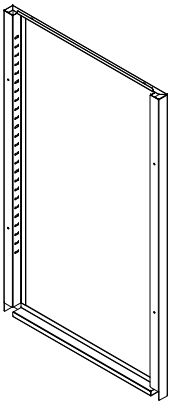
We created this instructions manual so that you won't feel overwhelmed and We also know that sometimes things just don't seem to fit, so don't hesitate to contact with our Customer Associate if you have questions or need help!

Missing A PART? DON' T WORRY, WE GOT YOUR BACK!

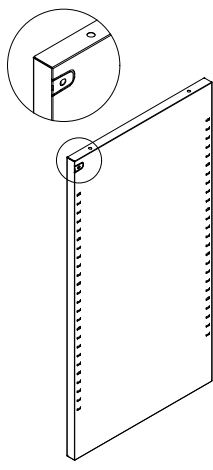
Compare the sketch on the next page with your package. Are all the pieces there? However, sometimes error happen, so if anything is missing or damage, just send us an email and we will make sure to fix it!

If you find scratches on the sides of the product after you open the package.
DON' T WORRY, this is the protection of express packages.

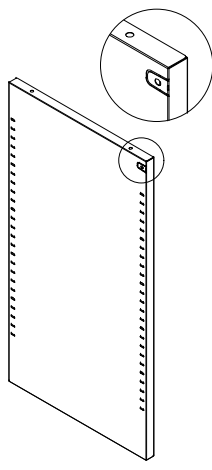




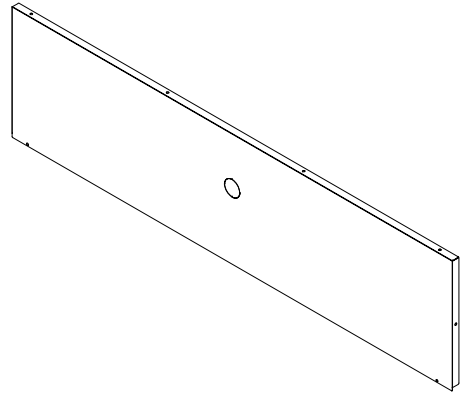
A*2



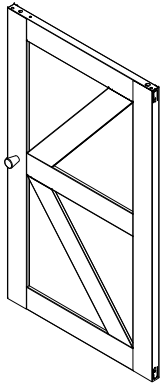
E*1



F*1

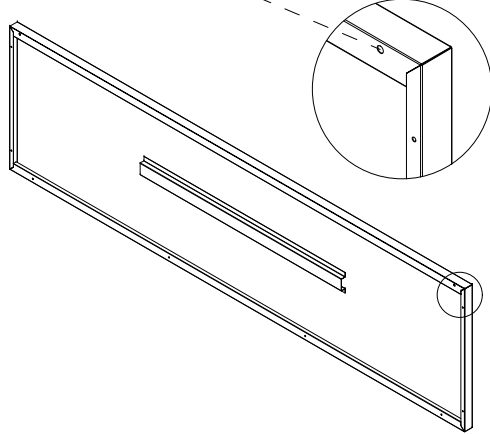


B*1

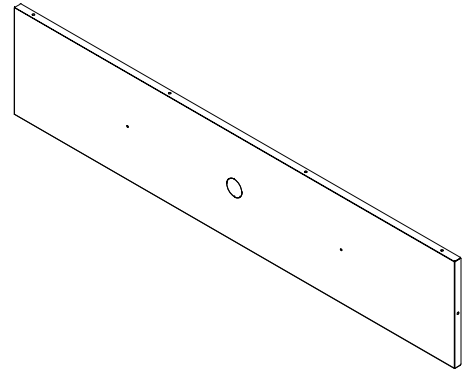


K*2

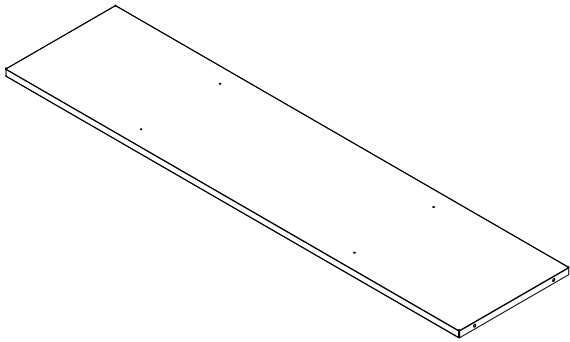
Notice: This Part Is On the Front



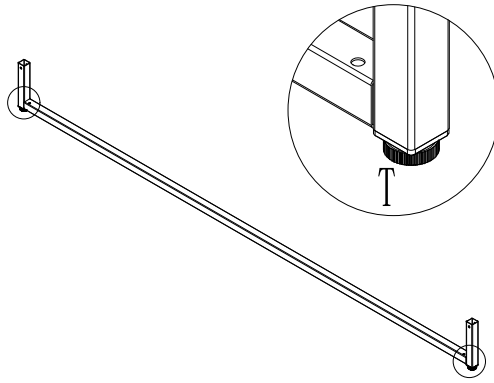
C*1



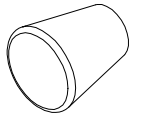
P*1



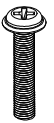
D*1



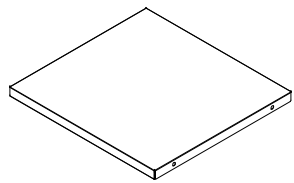
H*2



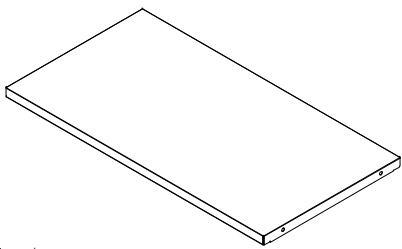
G*2



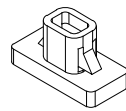
U*2



I*2



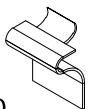
J*1



Q*4



R*40



L*12



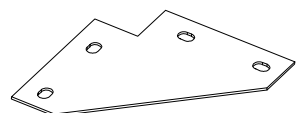
S*4



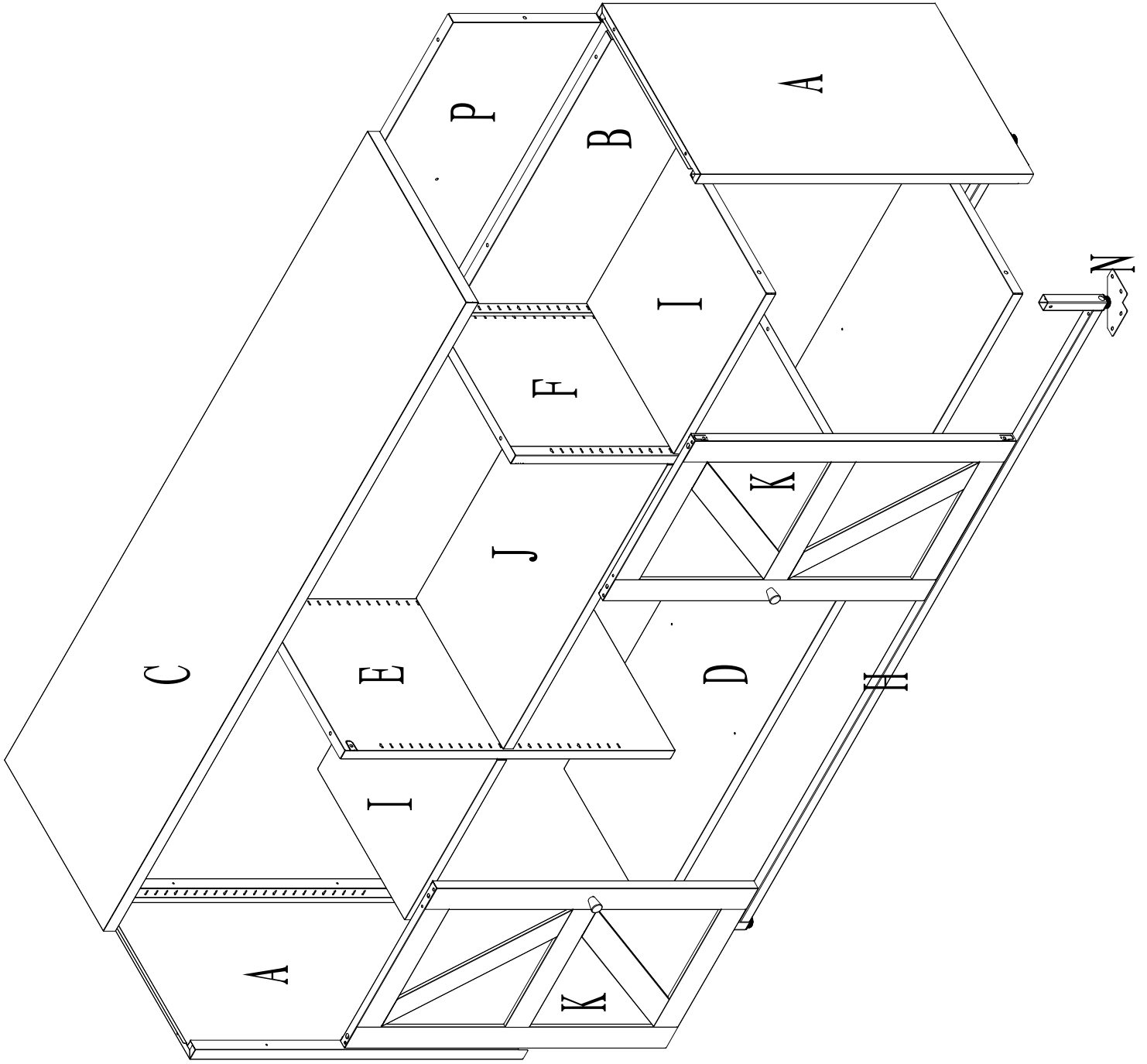
M*4



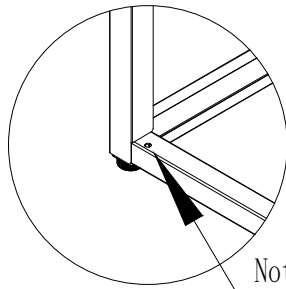
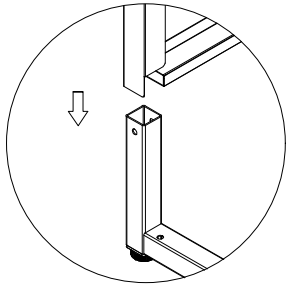
W*24



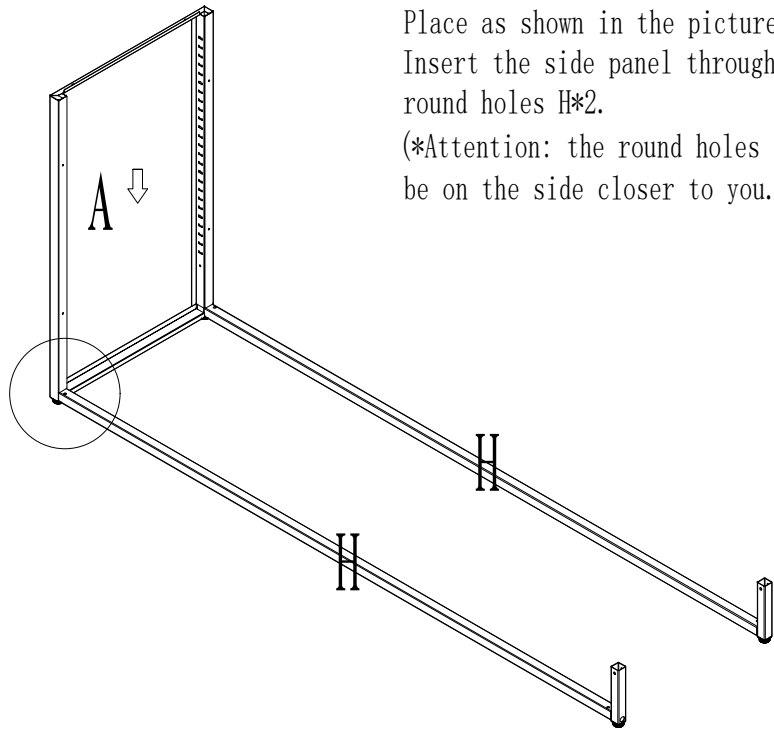
N*4



1

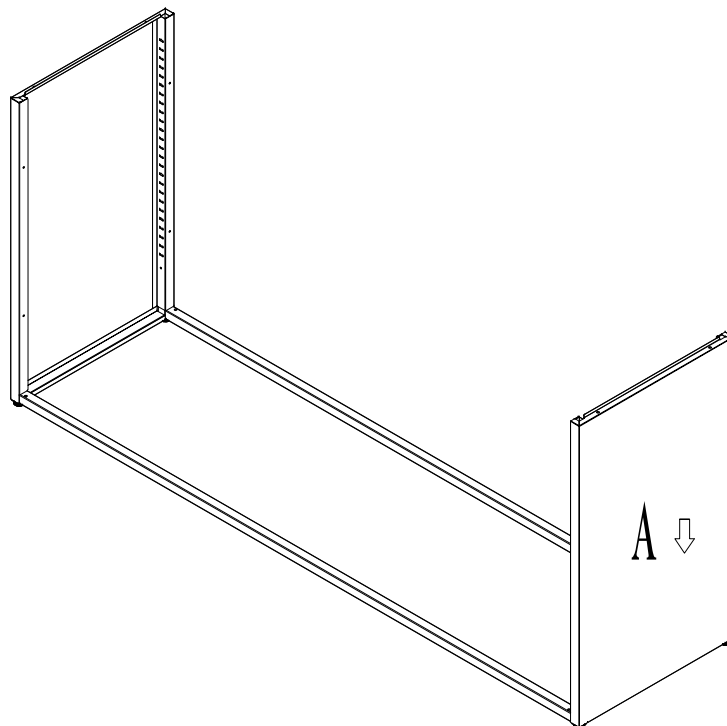


Notice: This hole to outside



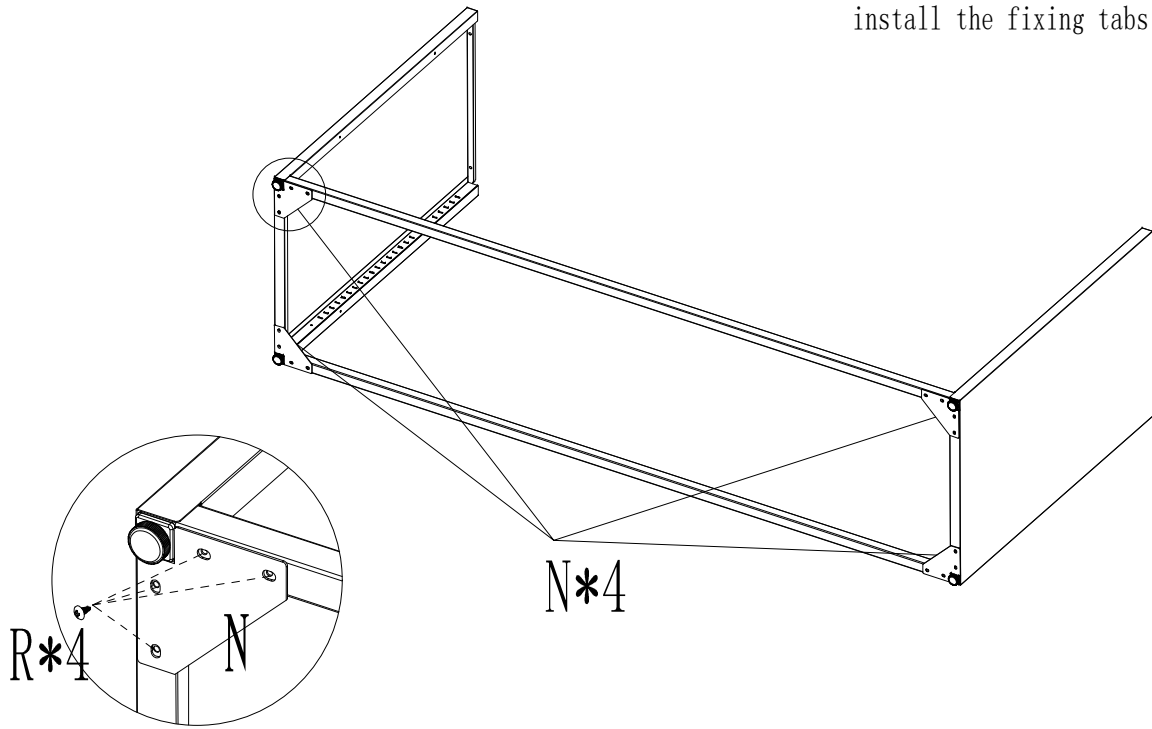
Let's start with side panel of the cabinet. Take the side panel A1& A2. Place as shown in the picture. Insert the side panel through the round holes H*2. (*Attention: the round holes should be on the side closer to you.)

2

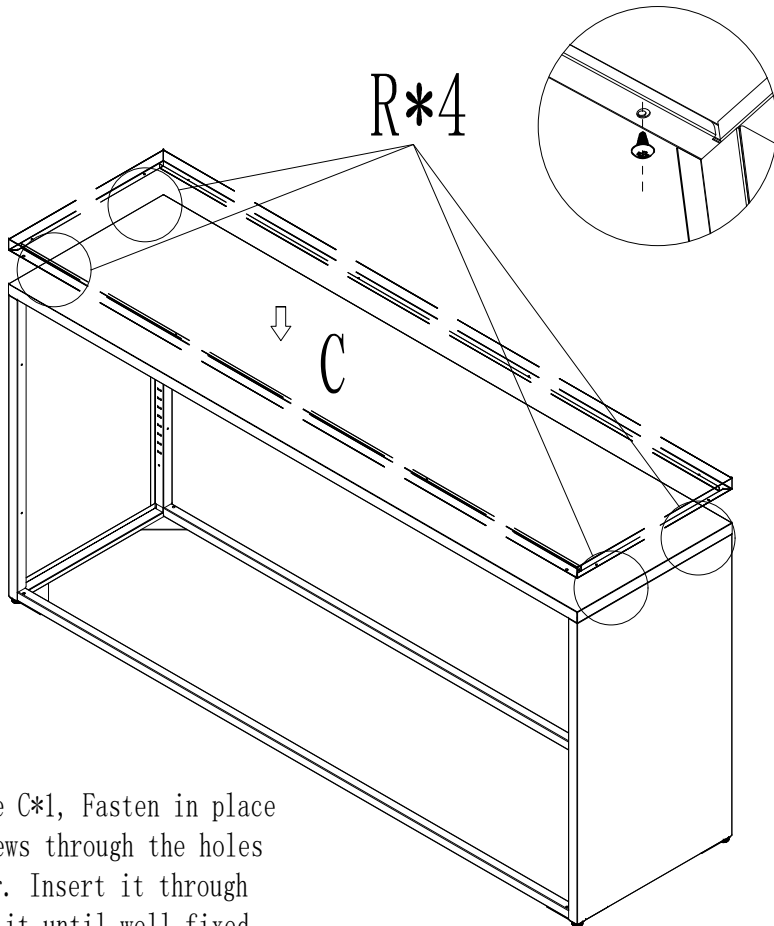


3

Place the cabinet on the floor and install the fixing tabs R*4



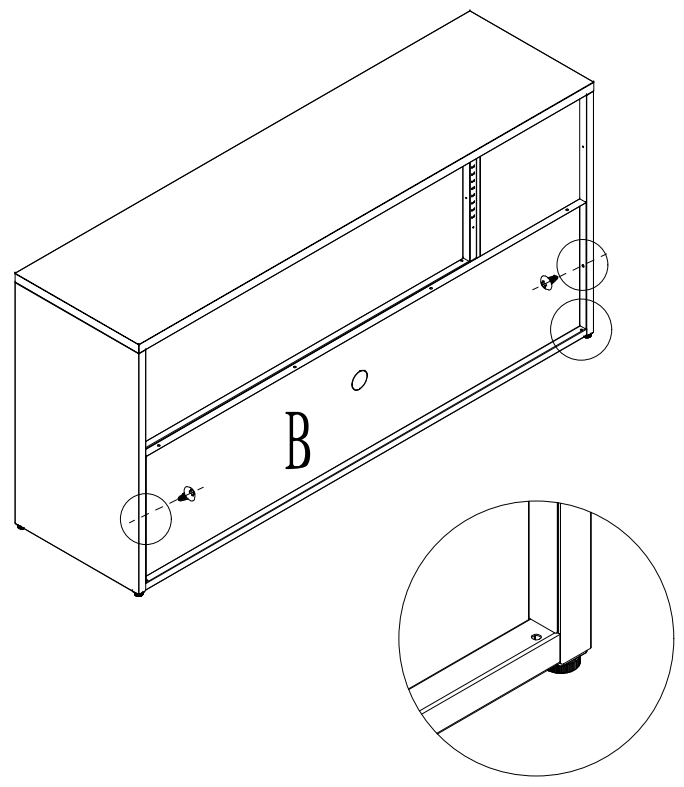
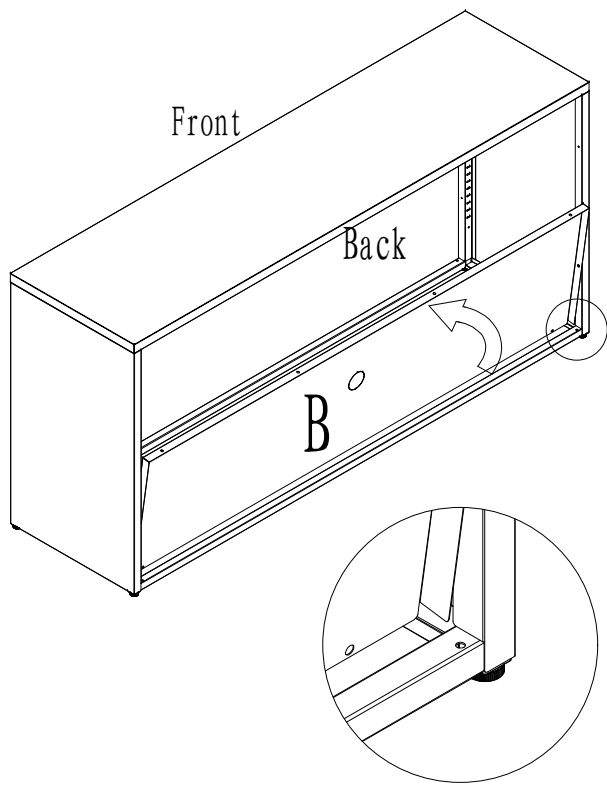
4



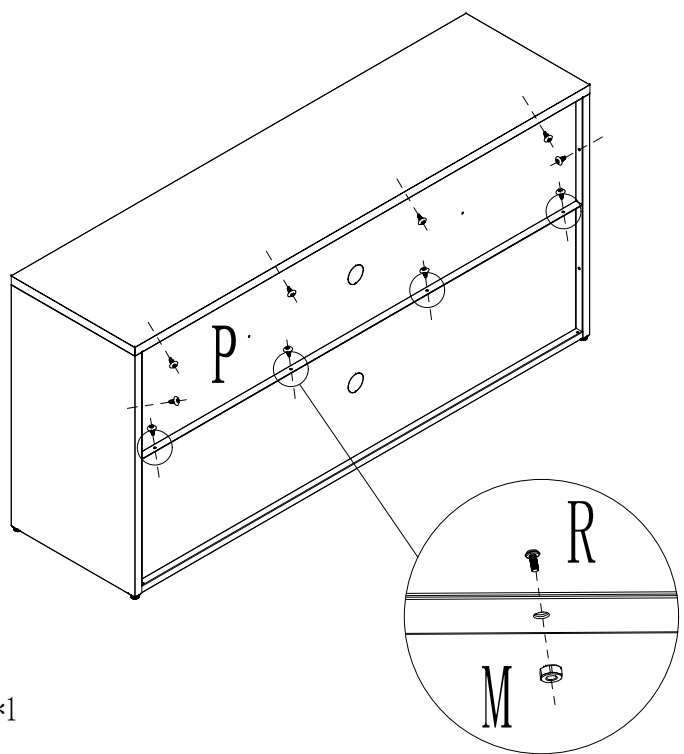
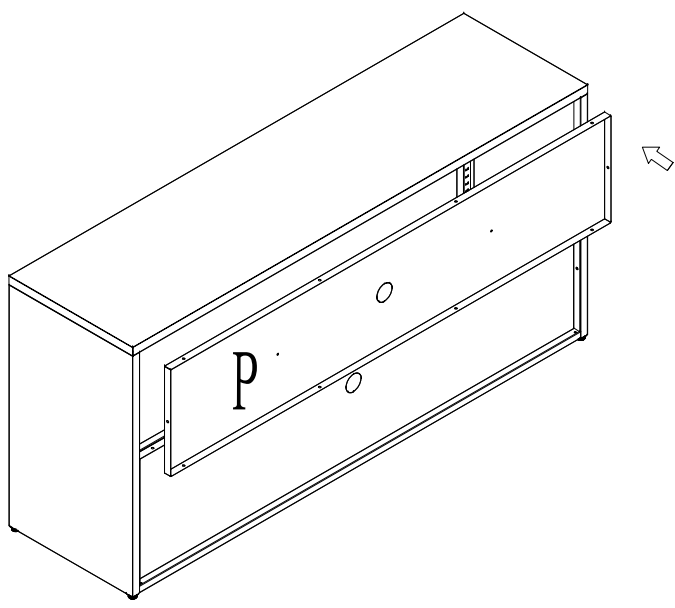
Notice: This part is on the front

Take Top Frame C*1, Fasten in place using R*4 screws through the holes in each corner. Insert it through cabinet, Push it until well fixed.

5

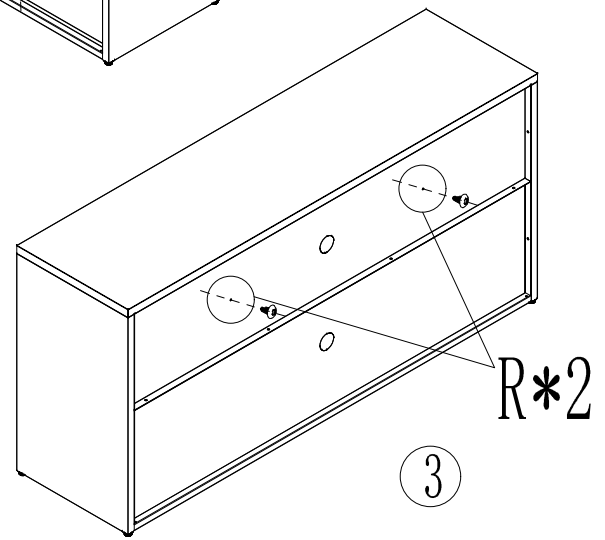
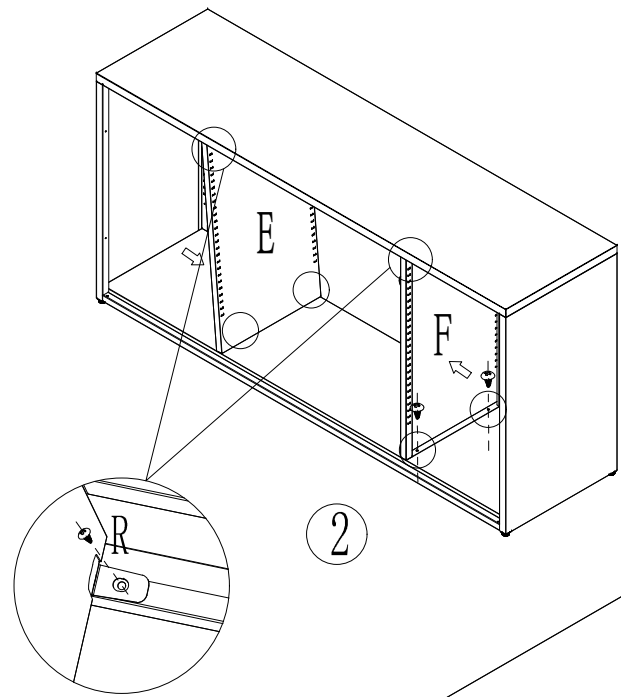
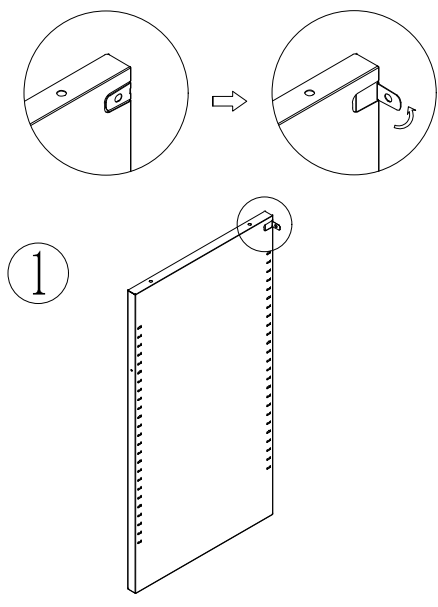


6



Install cabinet backboard B*1 and P*1

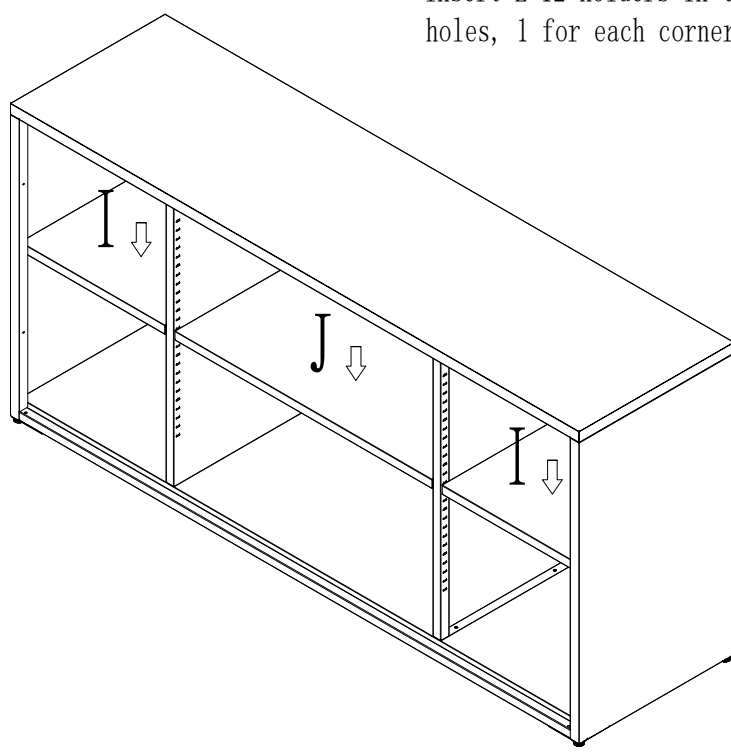
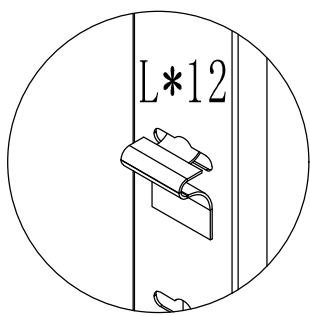
7



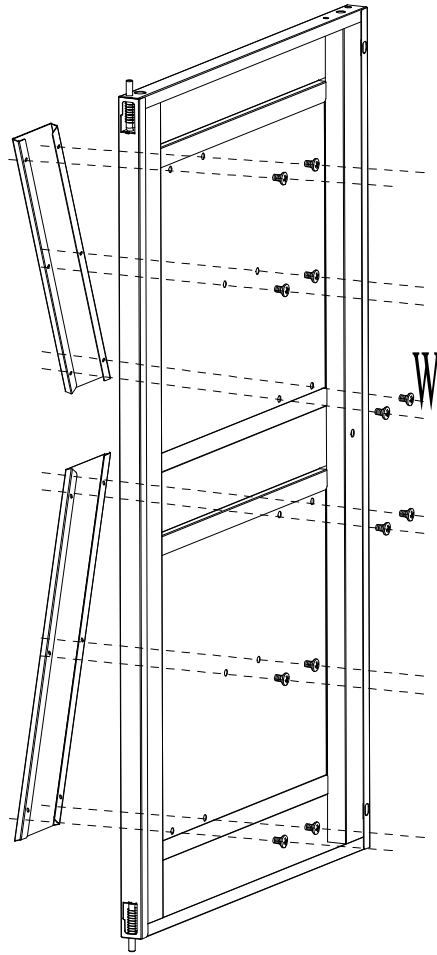
First, break the left and right middle vertical plate E F ear lobes into the pattern as shown in the figure.
Then connect the middle vertical plates with screws R.

8

Choose where you want to mount the shelf .
Insert L*12 holders in the frame' s holes, 1 for each corner.



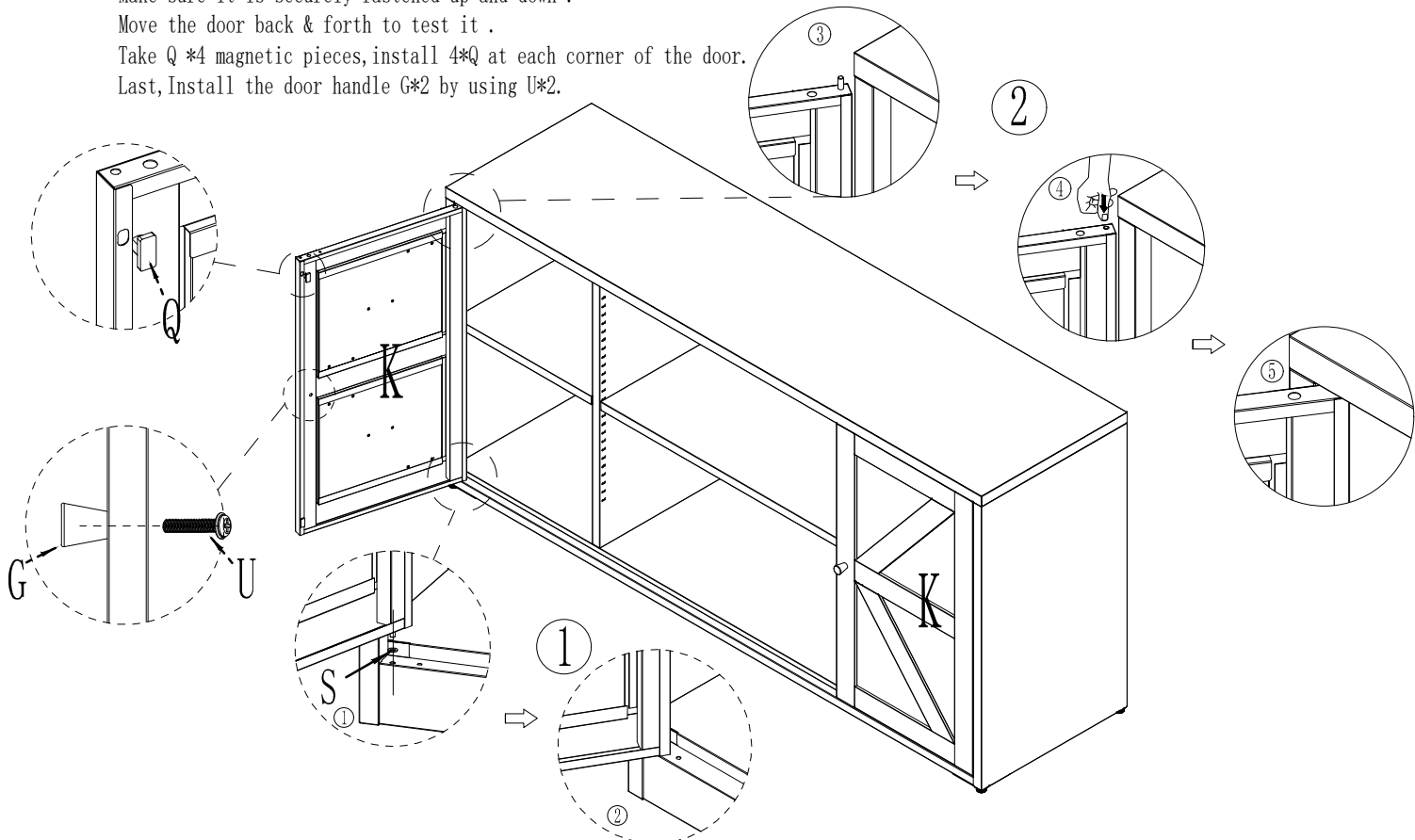
9



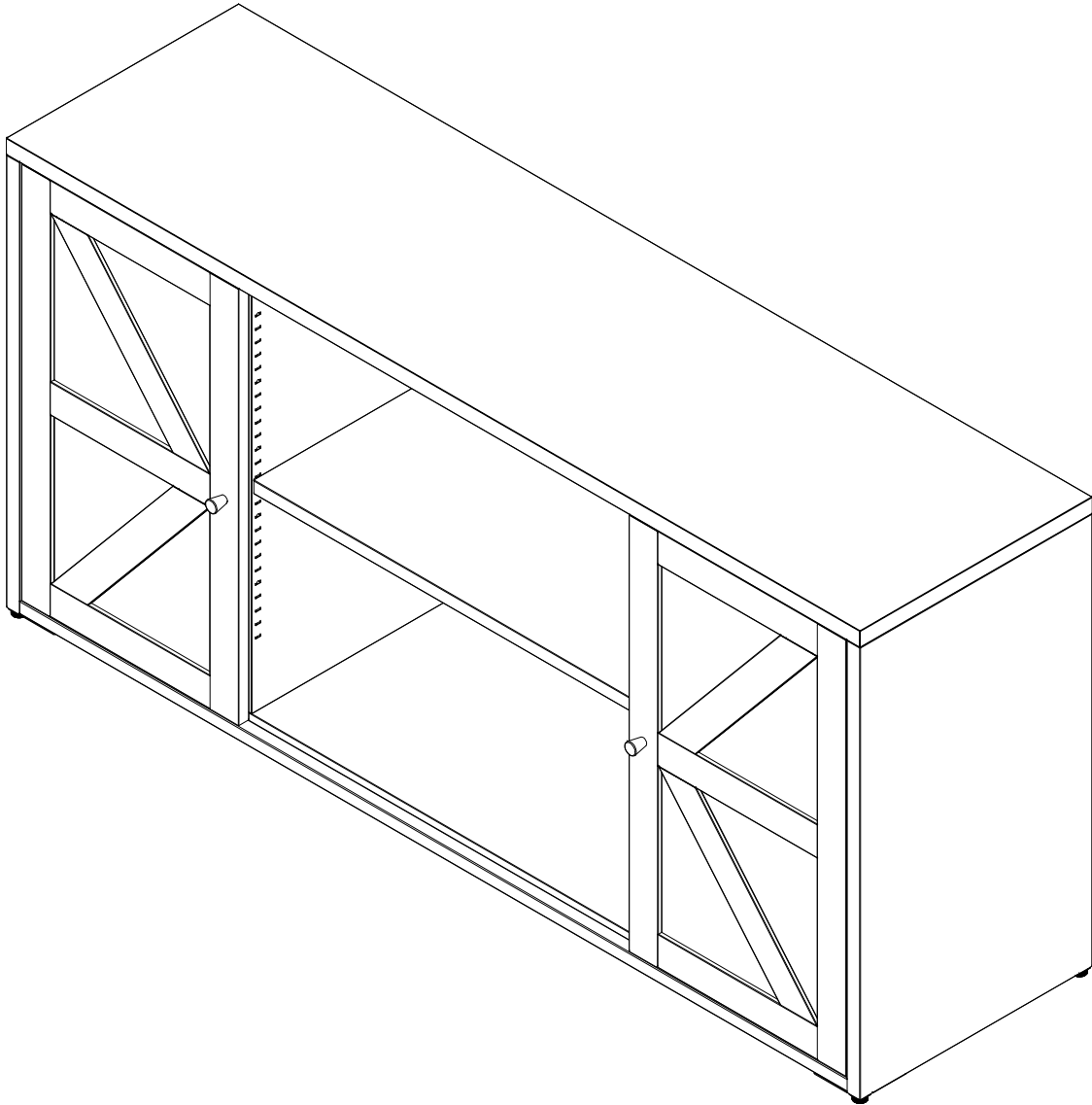
In this step you just need to tighten the W*24 screws (like shown in the picture).

10

Take S*4 bolt screws & insert a metal ring on it.
Insert the bolt in the bottom frame's hole (like shown in the picture below).
Take door K1 & K2.
Place the door with the bottom hole in the bolt.
Press the arch at top of the door to fix the door in the upper frame.
Make sure it is securely fastened up and down .
Move the door back & forth to test it .
Take Q *4 magnetic pieces, install 4*Q at each corner of the door.
Last, Install the door handle G*2 by using U*2.



Your metal cabinet is ready to use!



THANK YOU FOR BEING PART OF OUR STORY.