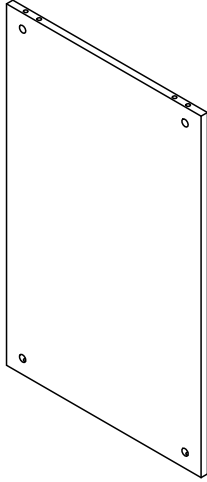
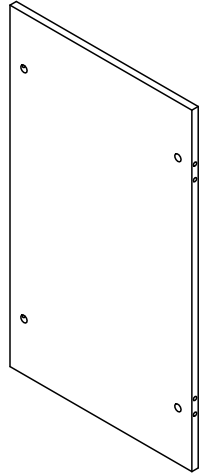


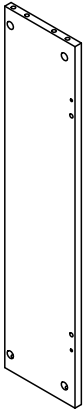
Ax1



Bx1



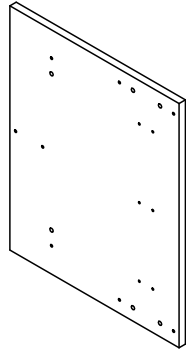
Cx1



Dx2



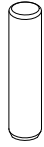
Ex1



Fx2



Gx20



Hx16



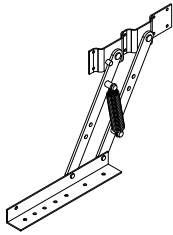
Ix20



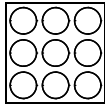
Jx18



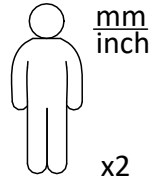
Kx12



Lx2



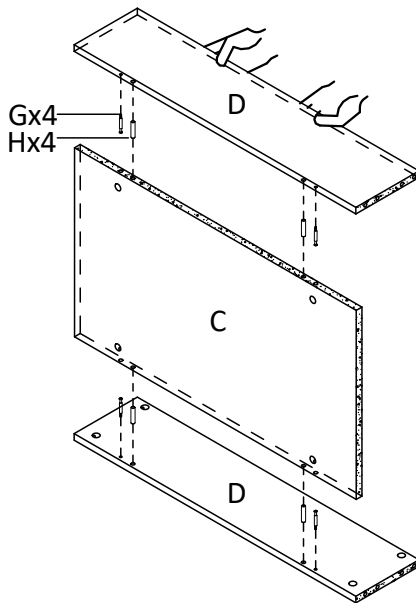
Jx3



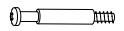
mm
inch

x2

①

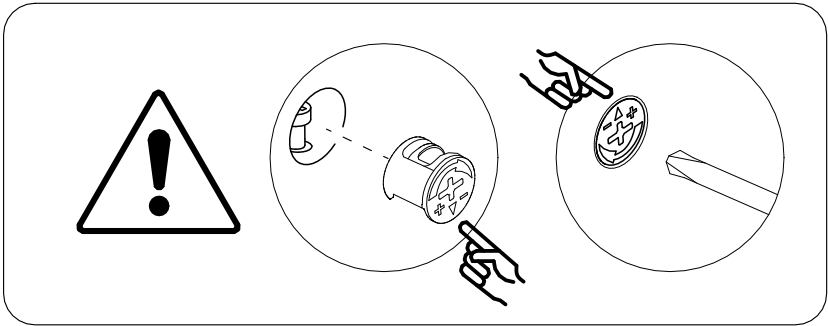


Gx4



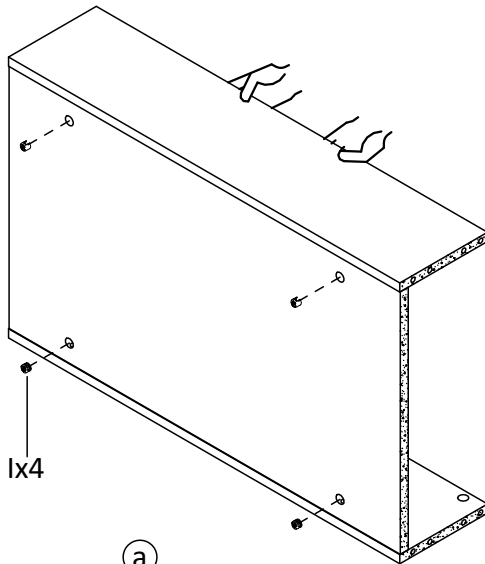
Hx4



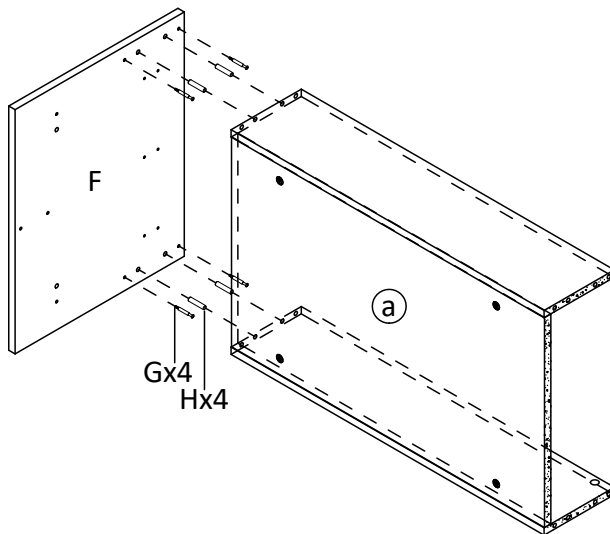


2

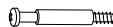
1x4



3



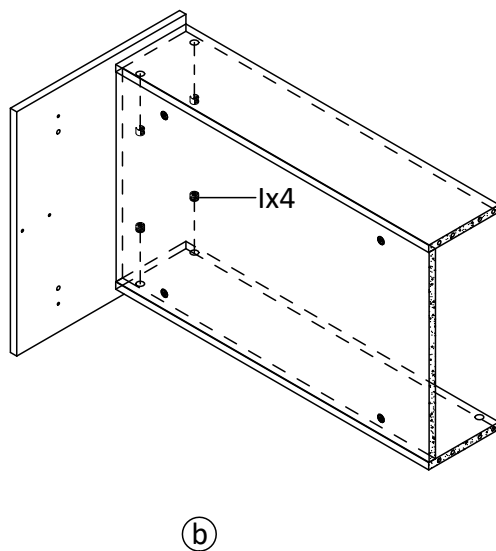
Gx4



Hx4



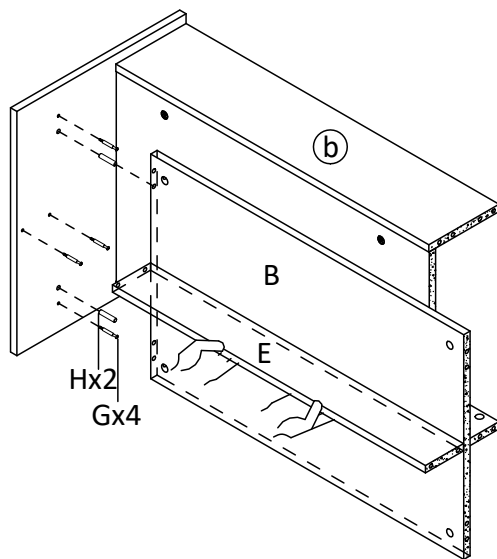
4



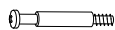
lx4



5



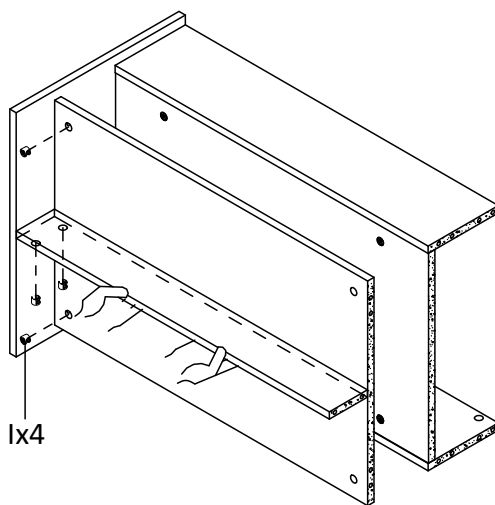
Gx4



Hx2



6

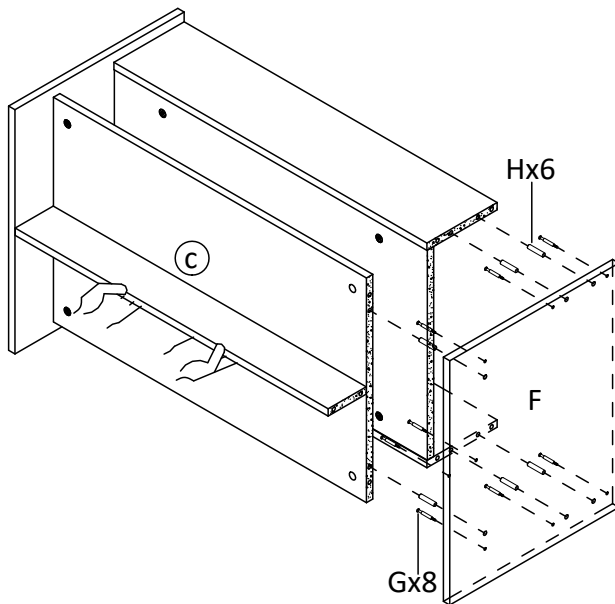


Ix4

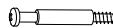


C

7



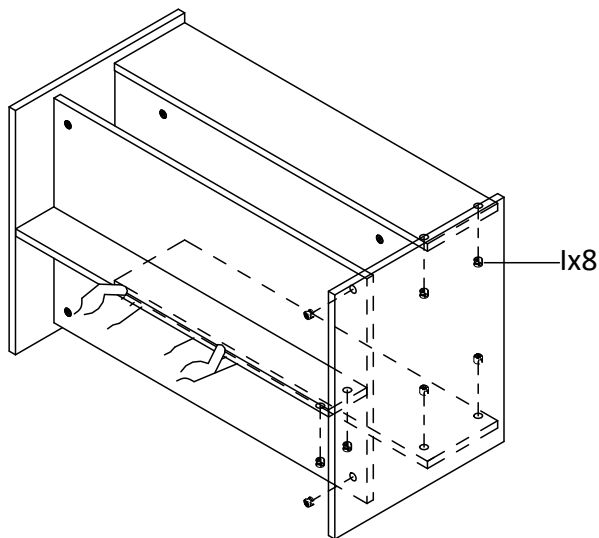
Gx8



Hx6

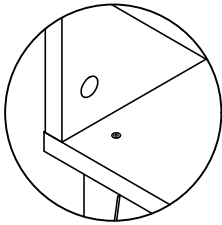
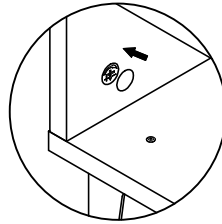
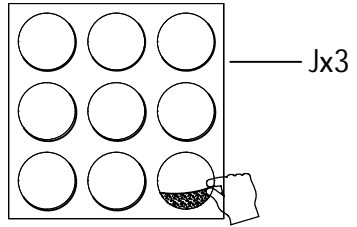
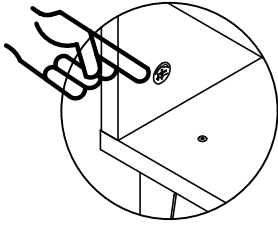


8



Ix8

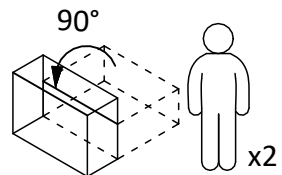
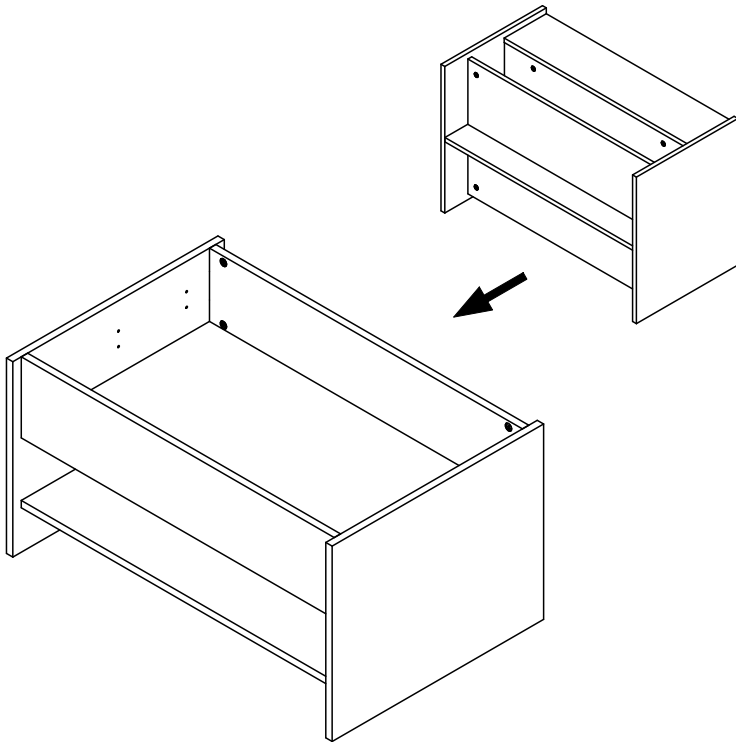




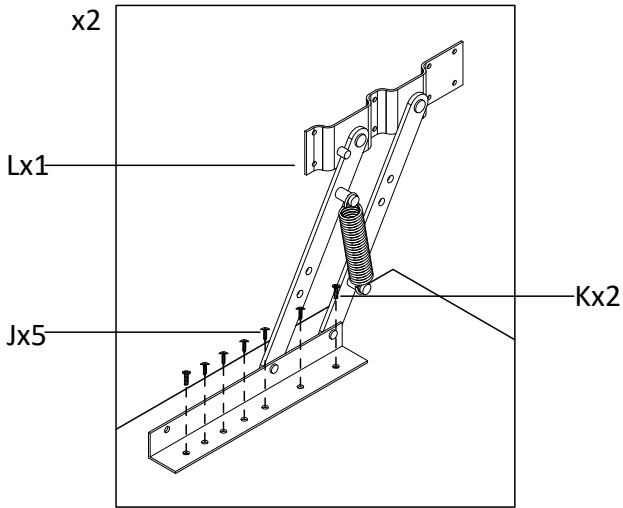
Jx3



9



10



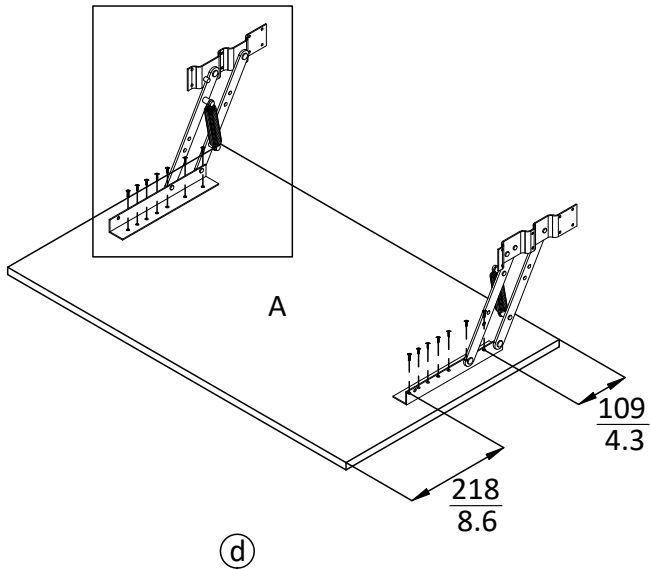
Jx10



Kx4



Lx2



11

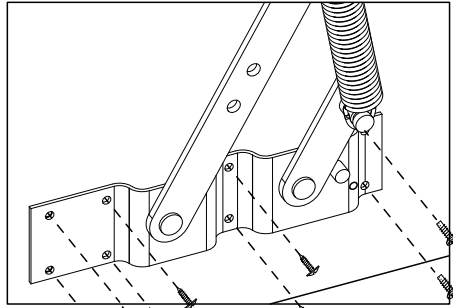
Jx8



Kx8

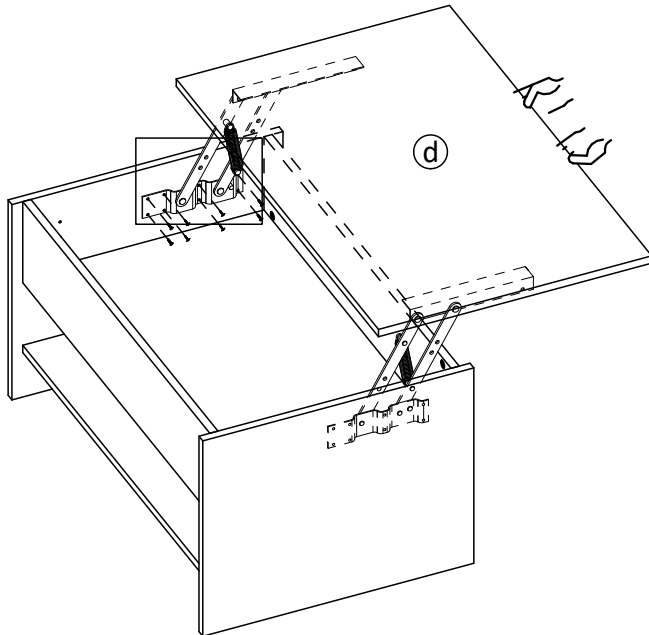


x2

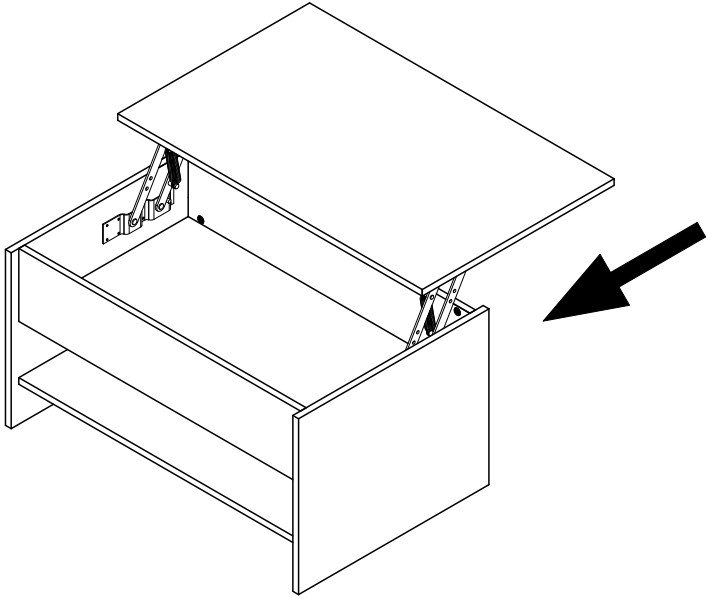


Kx4

Jx4



12



13

