

120V 16 Inch Commercial Grade Vintage Barn Hanging Outdoor Pendant Lighting

DESCRIPTION

Voltage: 120V 60Hz AC
 Socket Type: UL Certified E26 Medium Base (E105933)
 Bulb Type: PAR / BR Reflector / A19
 Power Rating: 60w Max
 Mounting: Ceiling / Surface
 Weight: 4.69 lbs
 Size: 16" Diameter X 10" Height X 60" Cord Length

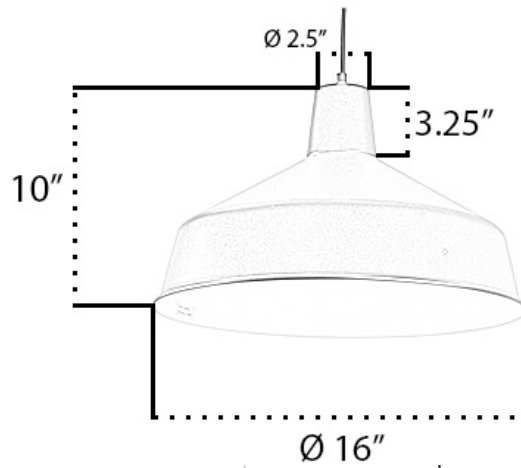


ACCESSORIES

Recessed UL Certified Medium Base Socket



DIMENSIONS



FINISHES



| FINISH | |
|------------|----------------|
| BLK | BLACK |
| RTB | RETRO BRONZE |
| BLU | BLUE |
| R | RED |
| COP | COPPER |
| WH | WHITE |
| RBK | RED/BLK CAP |
| WBK | WHITE/BLK CAP |
| CBK | COPPER/BLK CAP |

| BULB | |
|-------------|--|
| WWSE | 120V 11W DIM LED WARM WHITE SQUAT LIGHT ENGINE |
| WWED | 120V 3.5W VINTAGE EDISON STYLE FILAMENT G25 DIM WARM WHITE |
| CWA | 120V 6W DIM LED COOL WHITE A19 |