

# INSTRUCTION SHEET

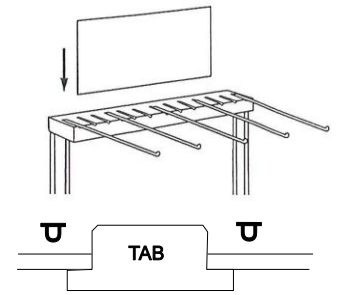
## Mite Counter Display

### CONTENTS:

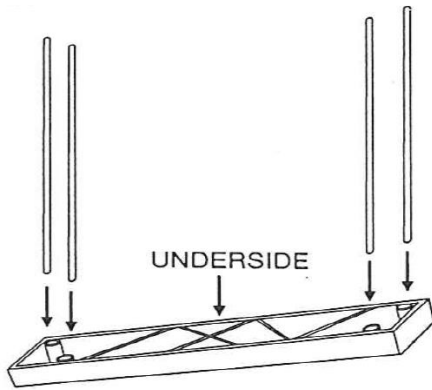
- (1) Base
- (2) Merchandising Bars
- (8) Support Wires
- (4) Optional Support Wires
- (16) 8 – 6”/8 -4” Hooks

Add Optional Header Sign to Back of Top Bar by Sliding into the Tabs as Shown

# 6



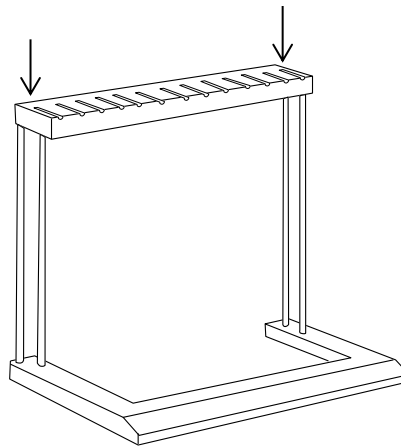
# 1



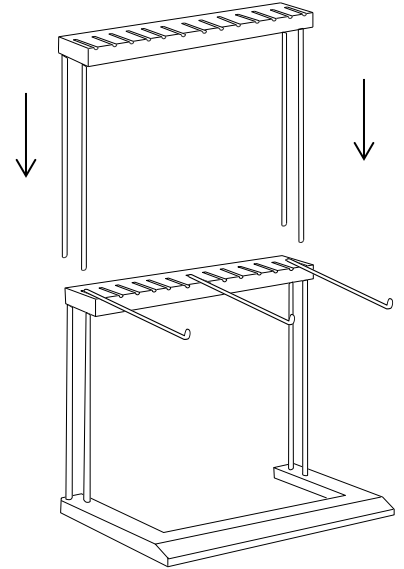
Insert the (4) wires into the underside of the merchandising bar as shown. SEAT FIRMLY.

# 3

Strike with Palms at these points to secure firmly. Check to be sure unit is securely locked together.

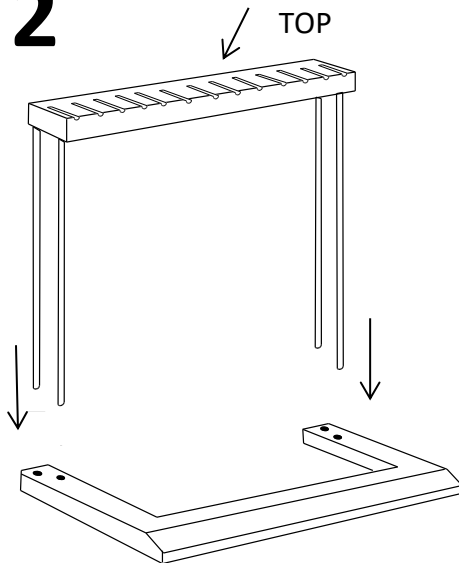


# 5



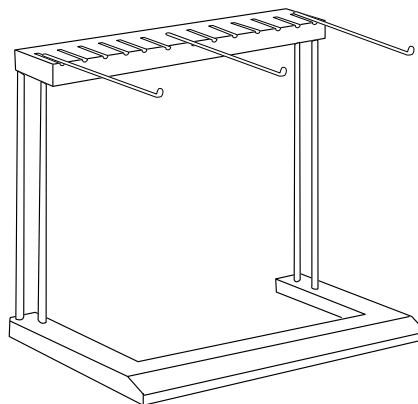
To add Second or Third Tier, Repeat Steps 1 & 2, Add desired hooks.

# 2



Attach Bar to Base by aligning the wire connectors into the holes on top of the base, as shown.

# 4



Insert desired number of Hooks into the Bottom Bar.

