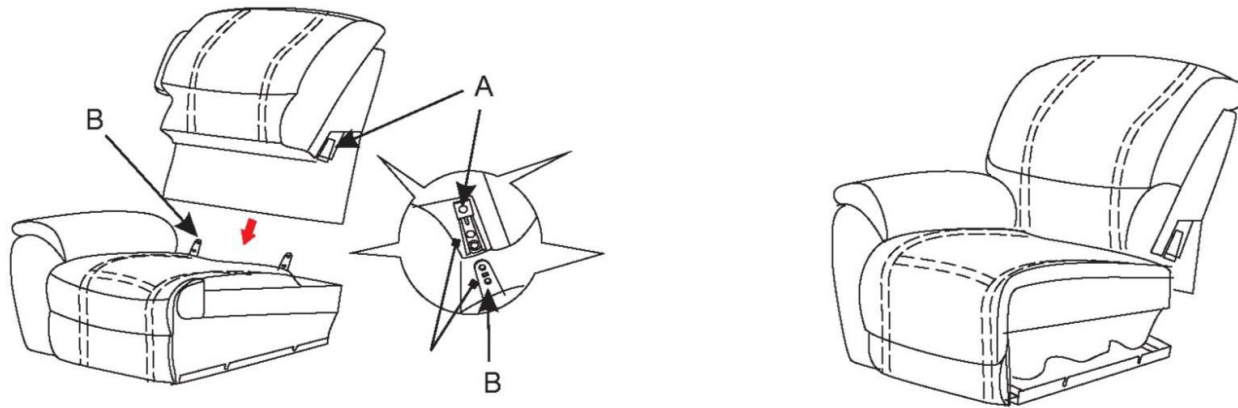


Assembly & Care Instructions

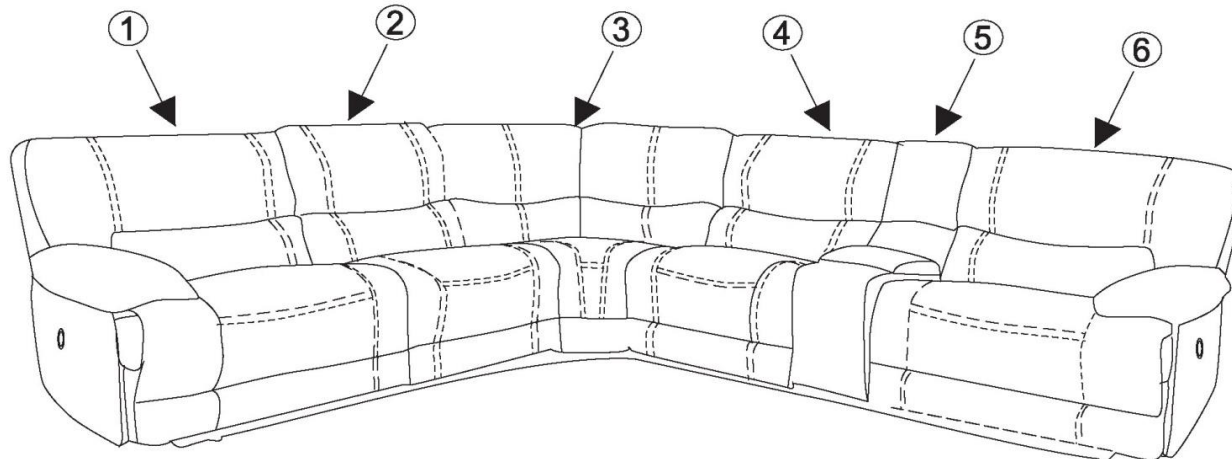
BACK ASSEMBLY INSTRUCTIONS:

Your furniture is shipped with the back off to reduce packaging materials and increase shipping efficiency. To assemble the back, align the female clips (A) on the back with the male brackets (B). Push down to lock into place.



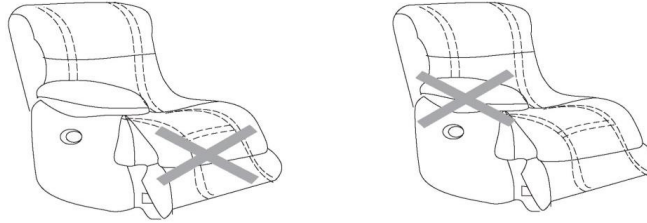
SECTIONAL ASSEMBLY INSTRUCTIONS:

To connect your sectional pieces start with the piece on the left side when facing the sectional (#1). Hook the pins of the piece you want next to it into the slots on the bottom of item #1, continue connecting the remaining sectional pieces in order. You can configure the pieces many ways. To disconnect, go in the reverse direction, in the drawing below you would begin with #6.



WARNINGS

Do not use the footrest as a seat or have anyone, regardless of their size, sit on the footrest. This will cause damage to the reclining mechanism. Do not sit on the arm of the sofa. This will bend the mechanism and cause damage to the reclining mechanism.



POWER MECHANISMS:

Never put the excess power cord up inside the recliner. There is a risk that the mechanism will cut the power cord. The power mechanism will not close or open when the power is off.

RECOMMENDED LEATHER CARE:

While our leather pieces are extremely durable, they still require protection and care to ensure years of enjoyment.

- If necessary, clean immediately with lukewarm distilled or purified water on a soft clean towel. Always clean in a small hidden area first.
- Blot spills immediately with a clean cloth or sponge. Air dry, never use a hair dryer.
- Wipe off leather periodically with a soft cloth.
- For regular cleaning, vacuum frequently using the soft brush attachment.
- For oil, grease, or stubborn stains consult a Professional Leather Care company.
- Do not use any bleach, oily substances, or strong detergents (including laundry detergents).
- Keep ink, fluids, body oils, chemicals and sharp objects away from upholstery.
- Exposure of leather to sunlight or extreme light sources may cause fading and damage.
- Professional Cleaning is recommended.

RECOMMENDED FABRIC CARE:

Cleaning Code W (water based)

- Spot clean only with water based upholstery shampoo or foam upholstery cleaner. Do not over wet.
- Do not use any solvents or bleach to spot clean.
- Exposure of fabric to sunlight or extreme light sources may cause fading and damage.
- Keep ink, fluids, body oils, chemicals and sharp objects away from upholstery.
- Blot spills immediately with a clean cloth or sponge. Air dry, never use a hair dryer.
- For regular cleaning, vacuum frequently using the soft brush attachment.
- Professional Cleaning is recommended.