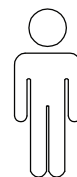
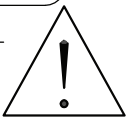
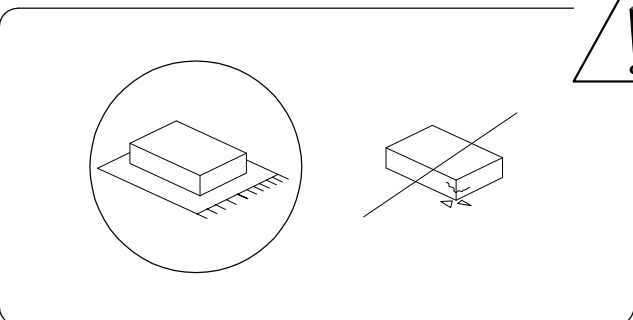
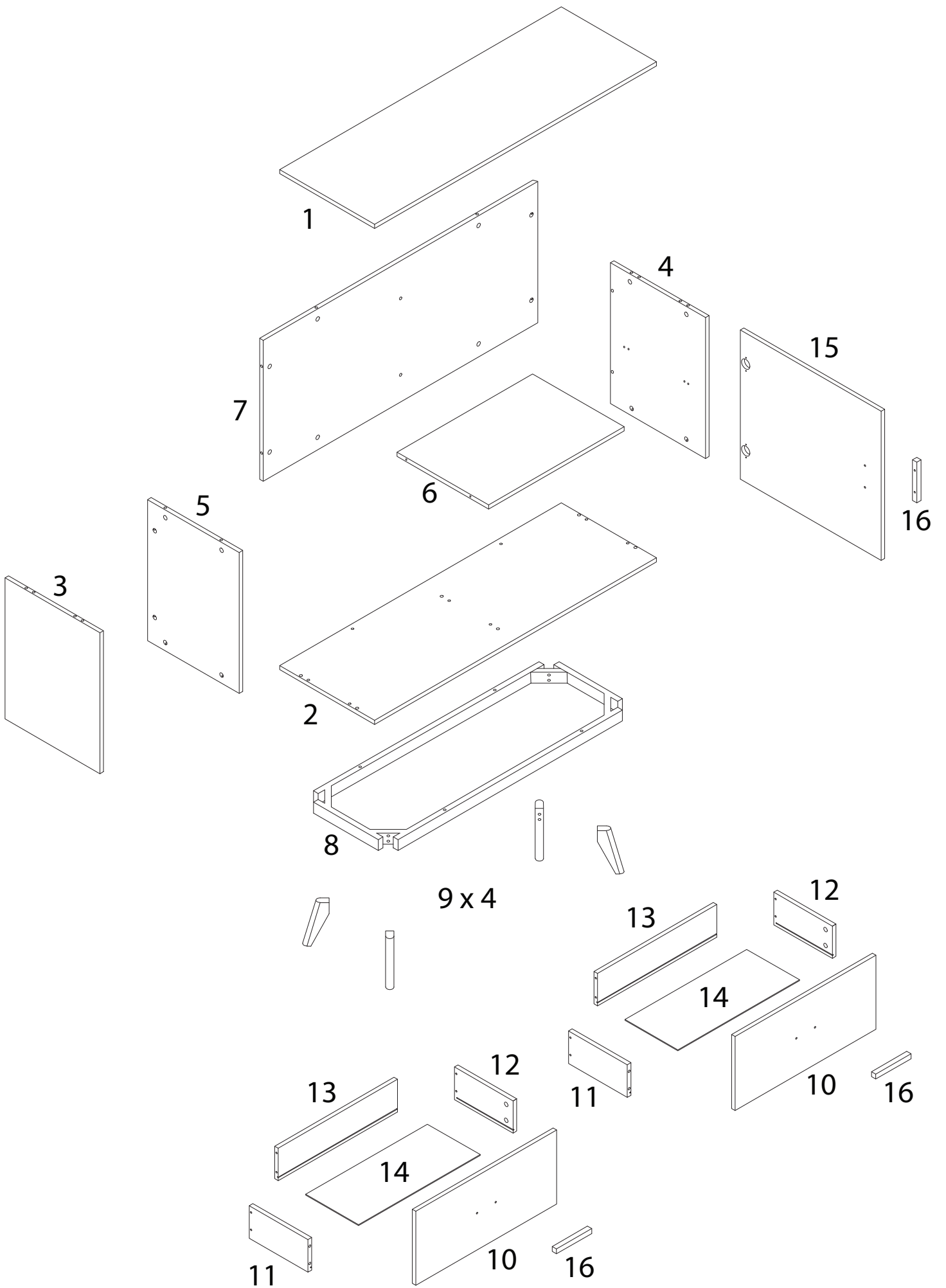


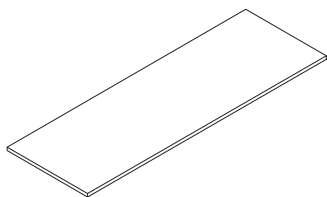
70'



2

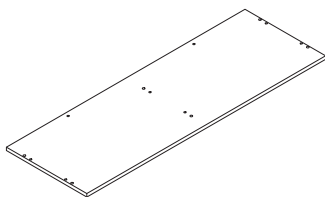


1



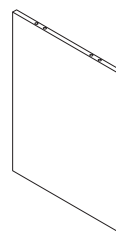
x 1

2



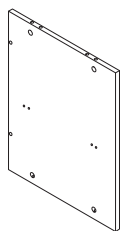
x 1

3



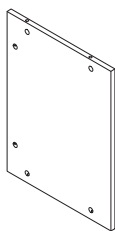
x 1

4



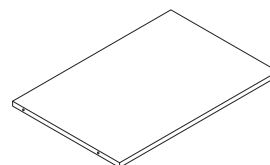
x 1

5



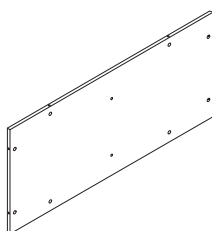
x 1

6



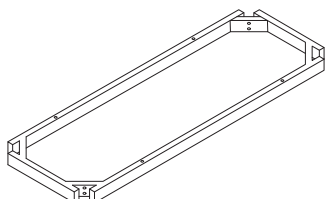
x 1

7



x 1

8



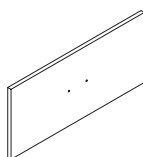
x 1

9



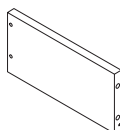
x 4

10



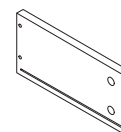
x 2

11



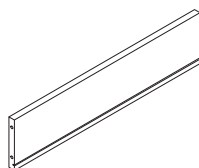
x 2

12



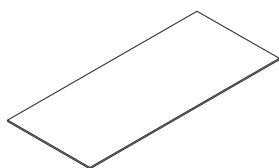
x 2

13



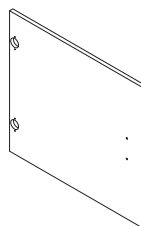
x 2

14



x 2

15



x 1

16



x 3

A1



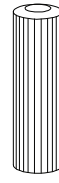
x 26

A2



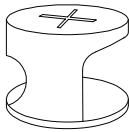
x 8

B



x 16

C1



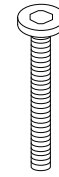
x 26

C2



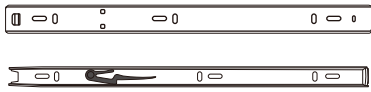
x 8

D



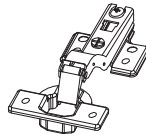
x 8

E



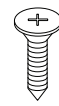
x 4

F



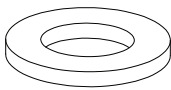
x 2

G



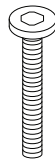
x 28

H



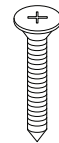
x 4

I



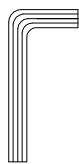
x 4

J



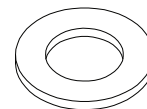
x 14

K



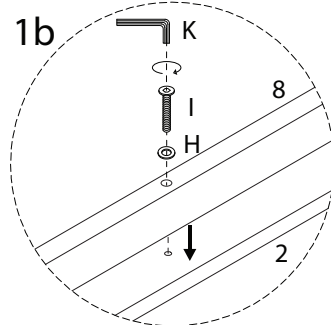
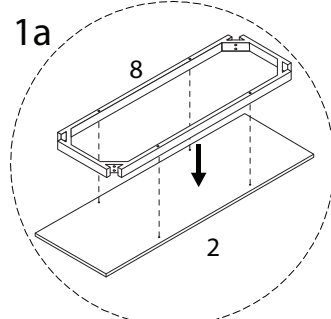
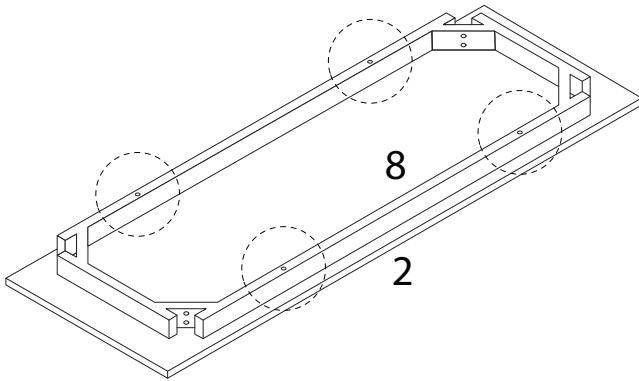
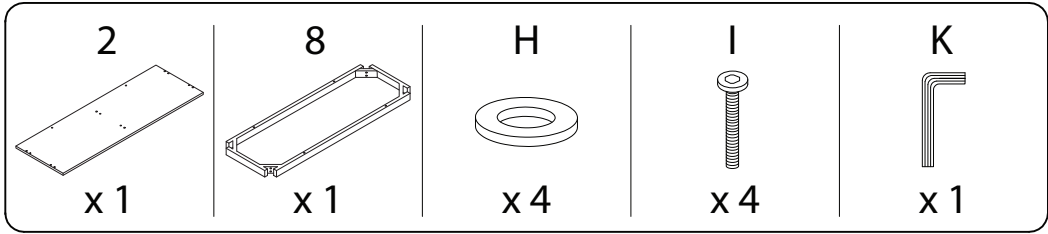
x 1

L

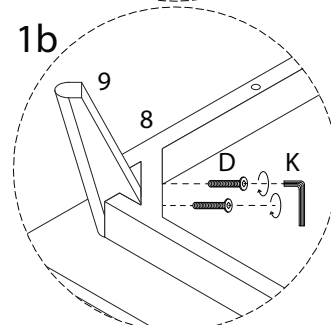
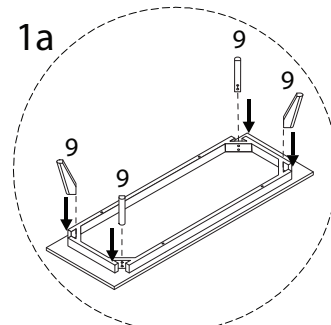
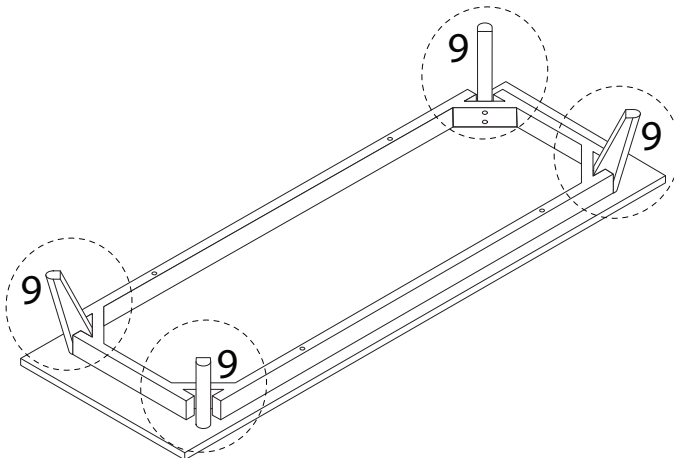
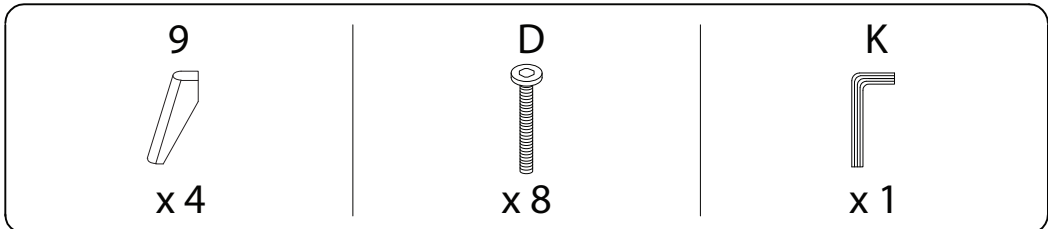


x 6

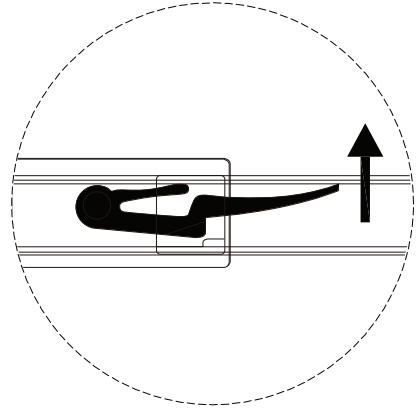
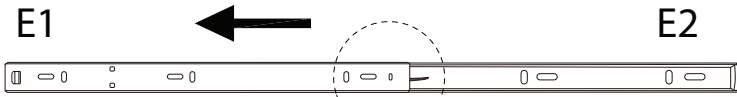
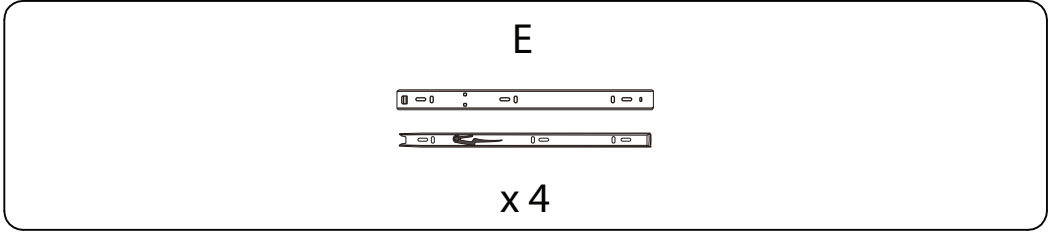
1



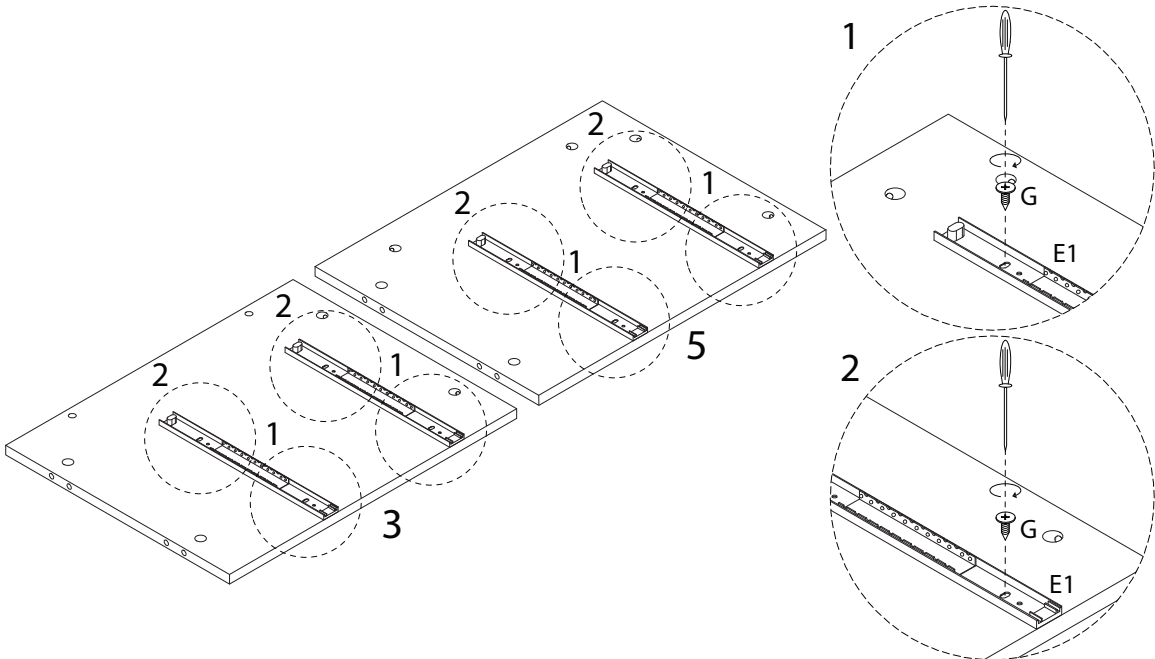
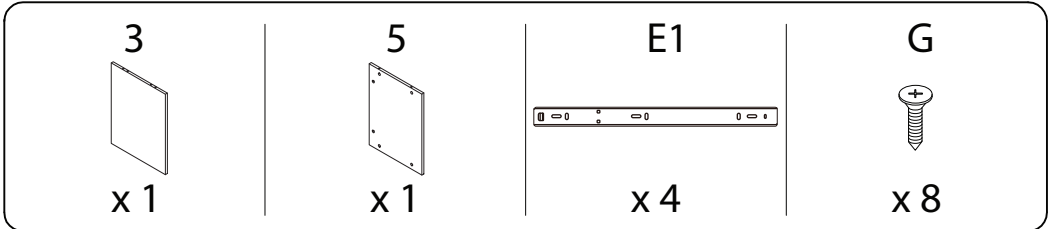
2



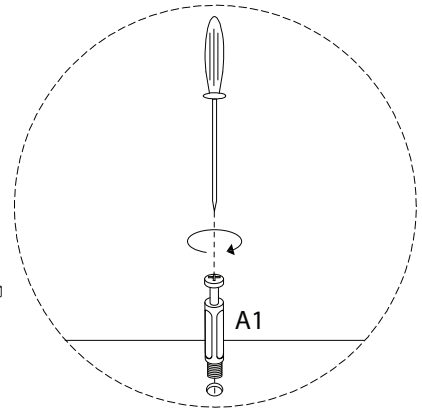
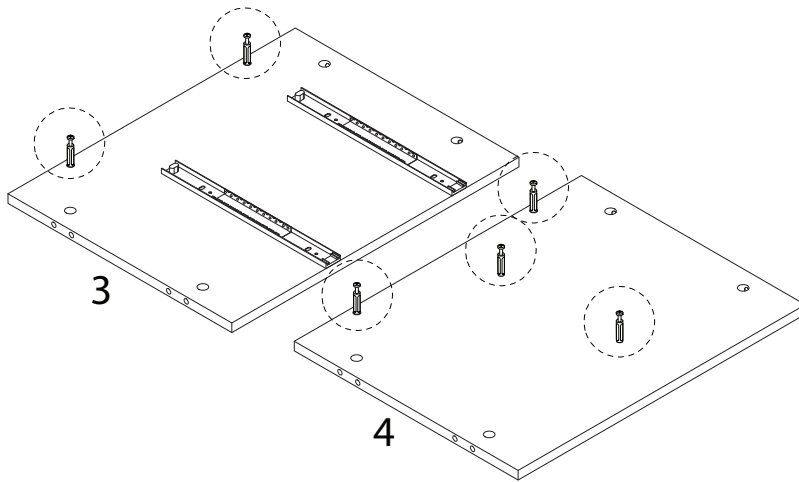
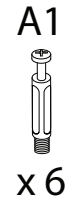
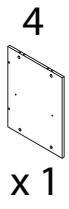
3



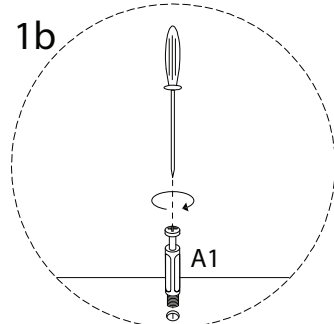
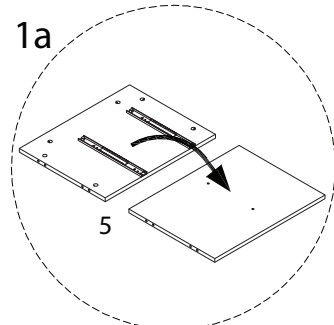
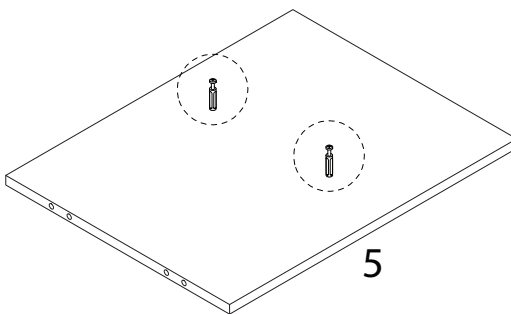
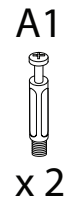
4



5



6

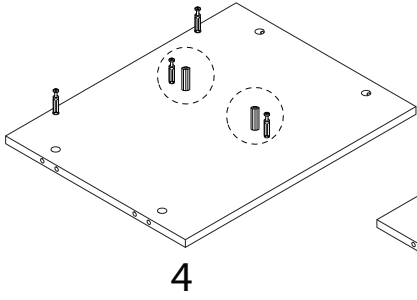


7

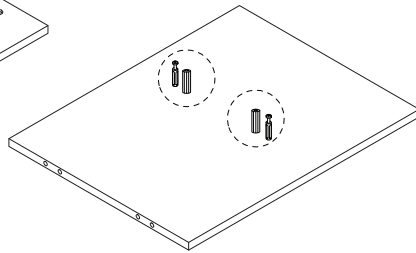
B



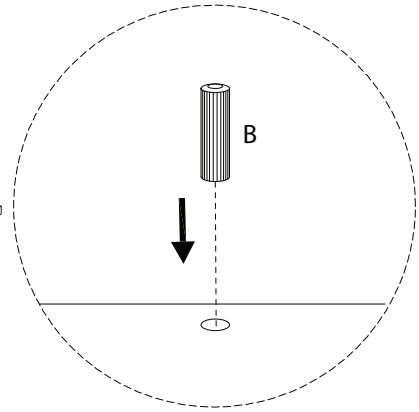
x 4



4

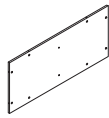


5



8

7

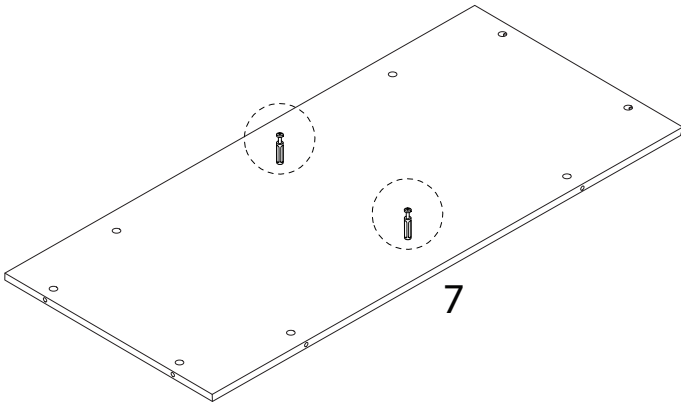


x 1

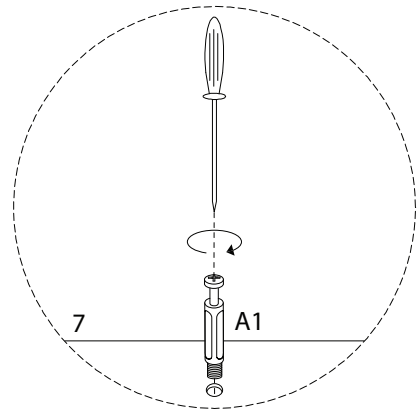
A1



x 2



7



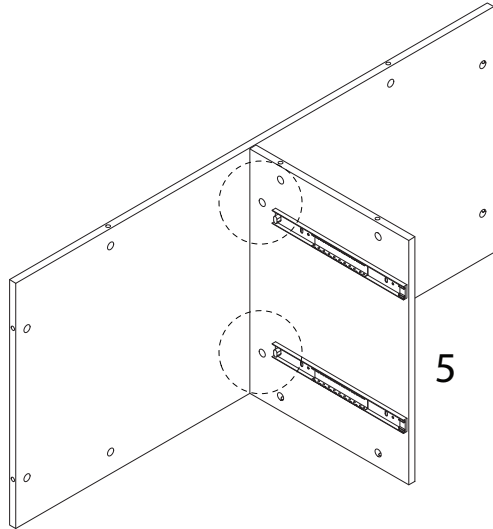
9

C1

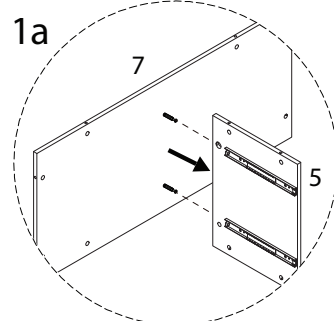


x 2

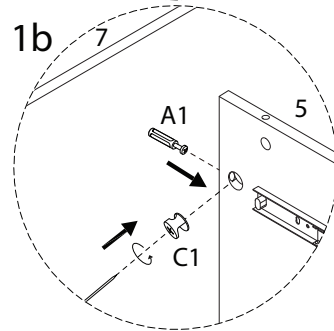
7



1a

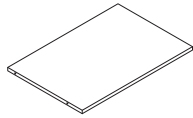


1b



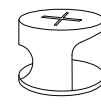
10

6

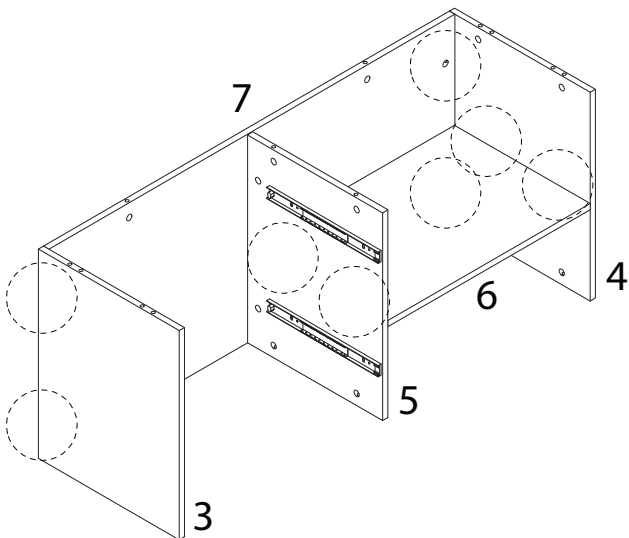


x 1

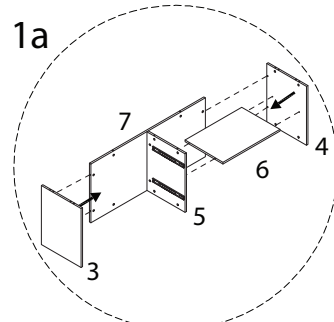
C1



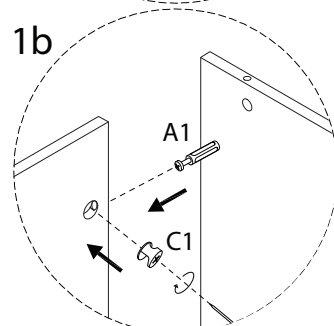
x 8



1a



1b

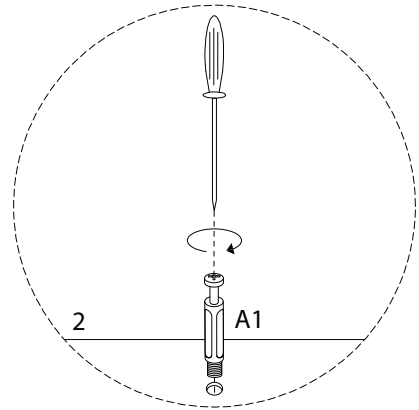
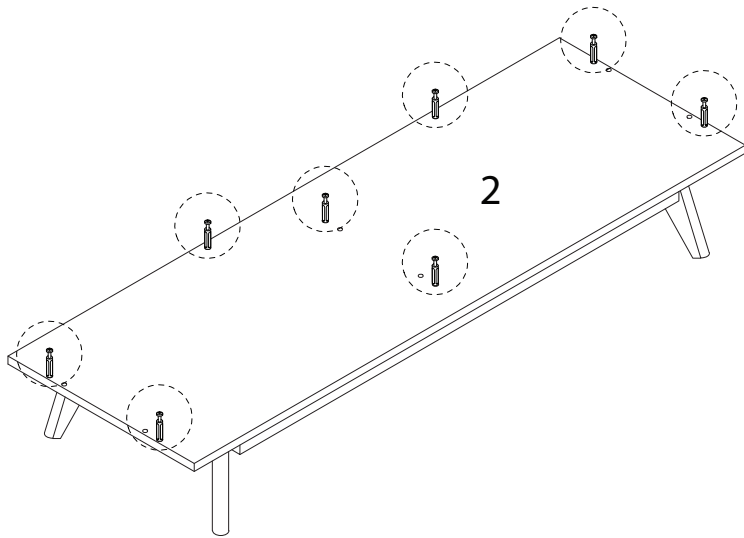


11

A1



x 8

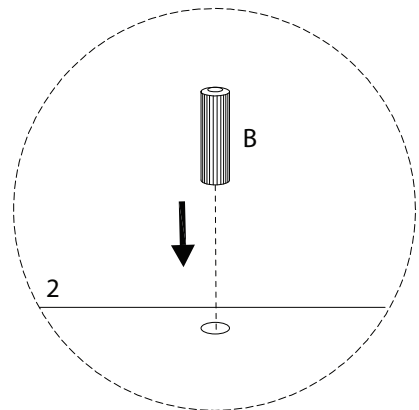
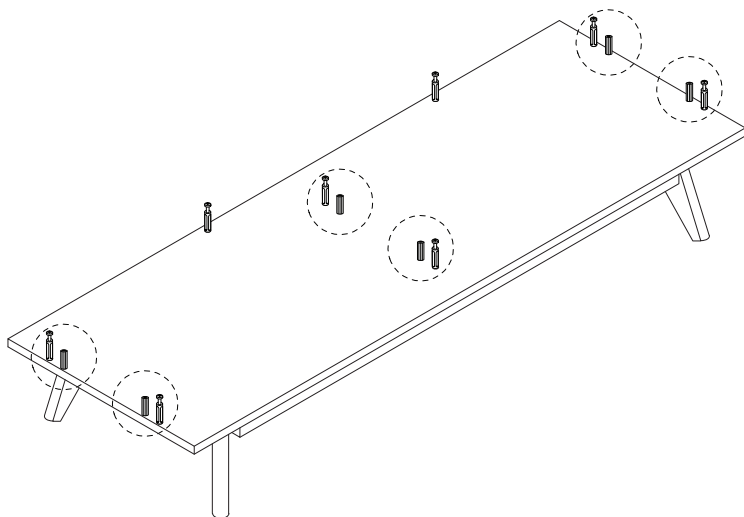


12

B



x 6

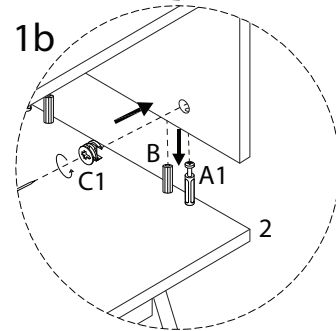
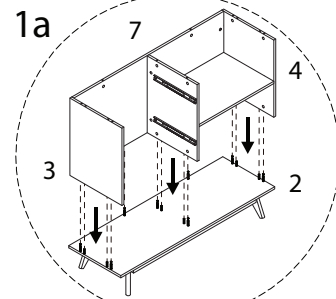
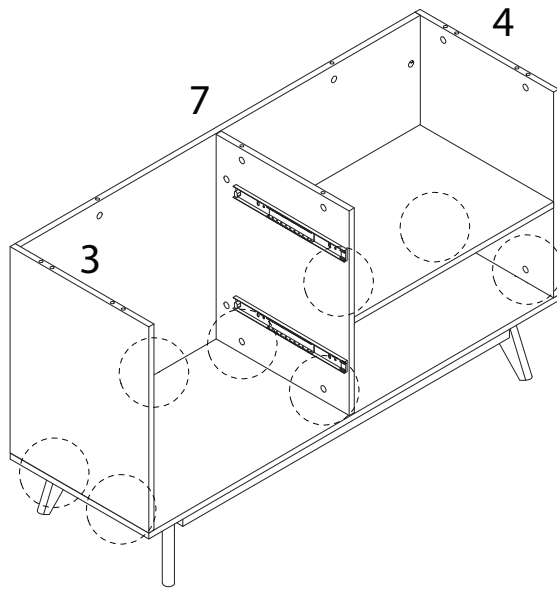


13

C1

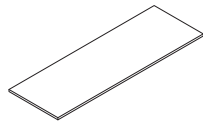


x 8



14

1

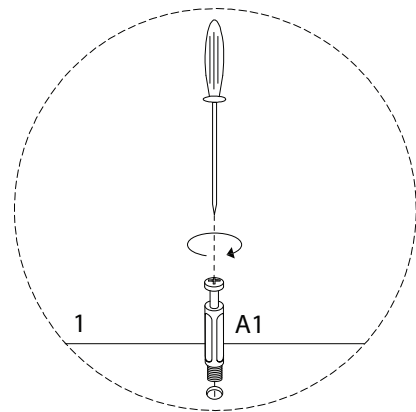
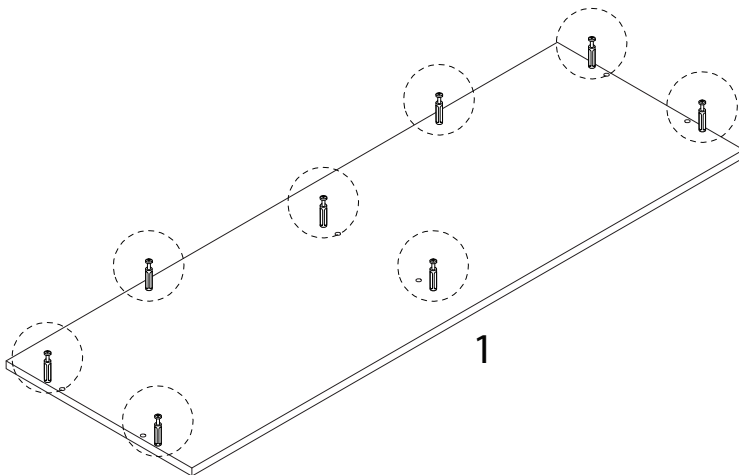


x 1

A1



x 8

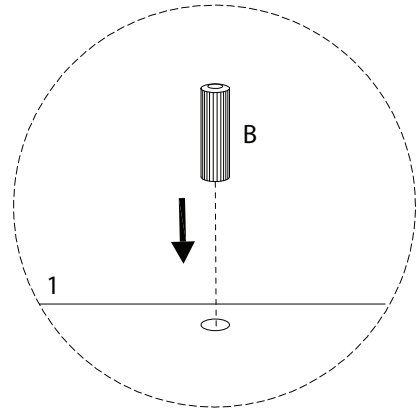
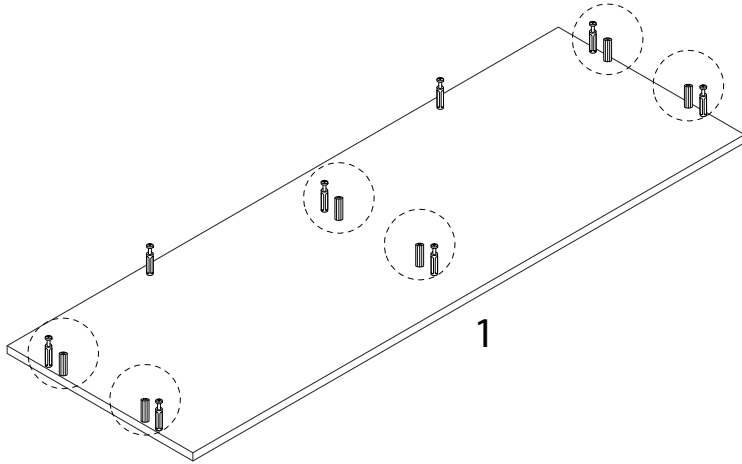


15

B



x 6

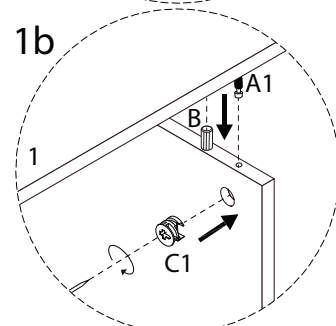
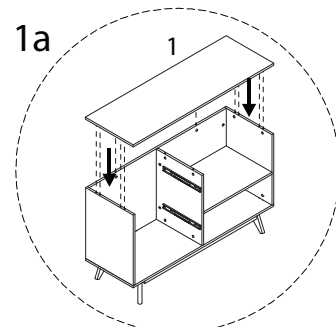
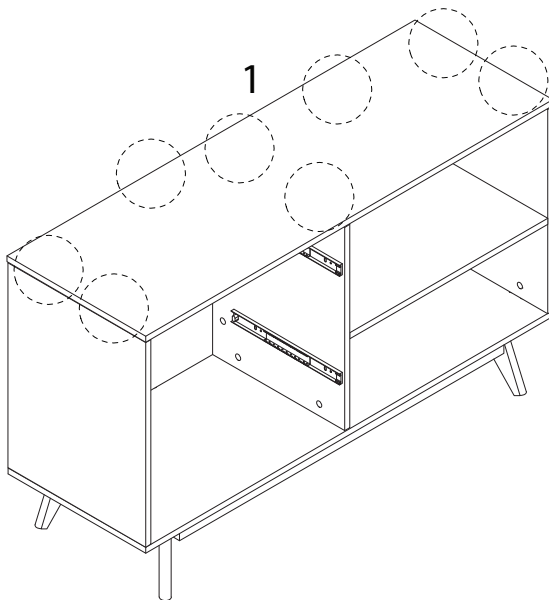


16

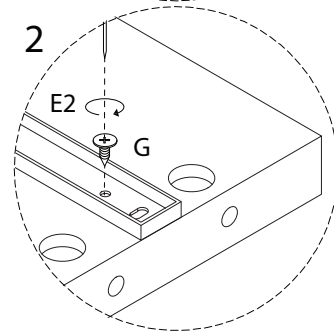
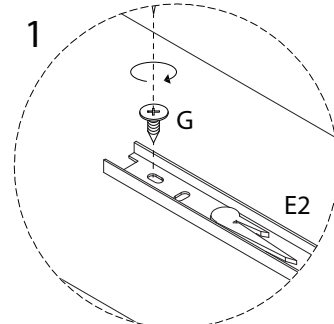
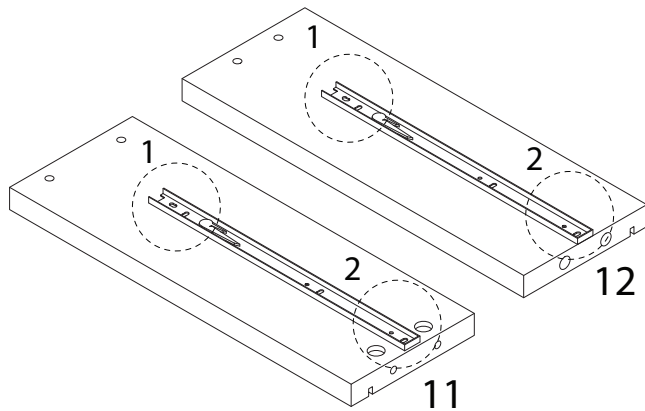
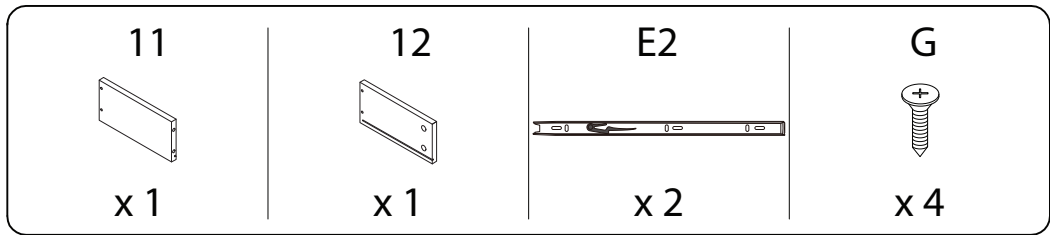
C1



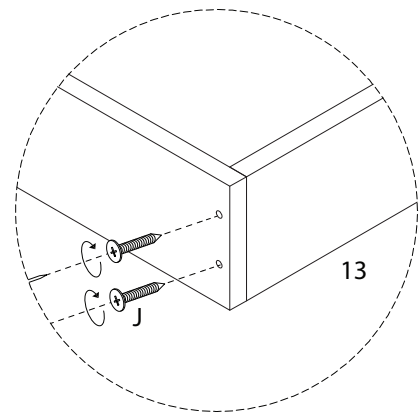
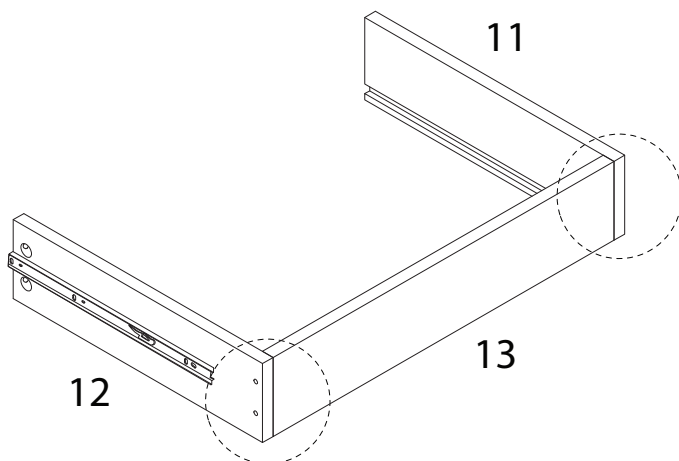
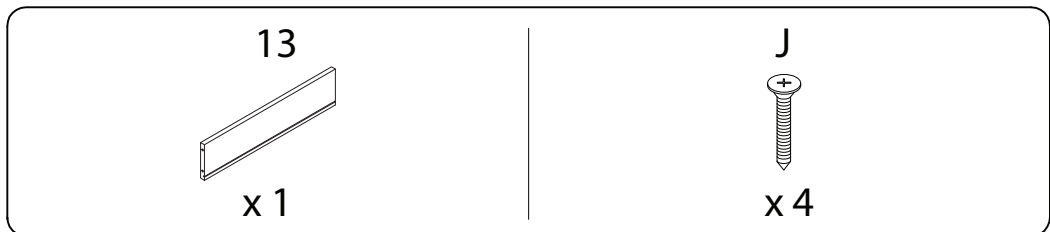
x 8

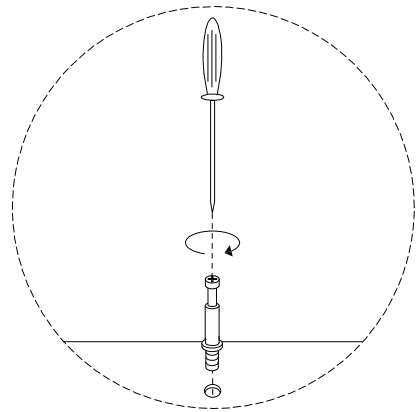
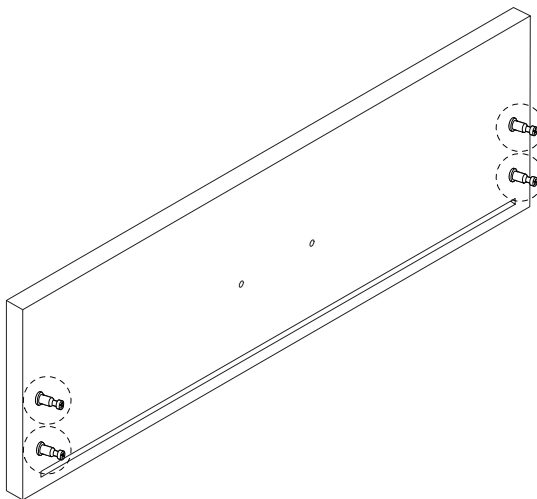
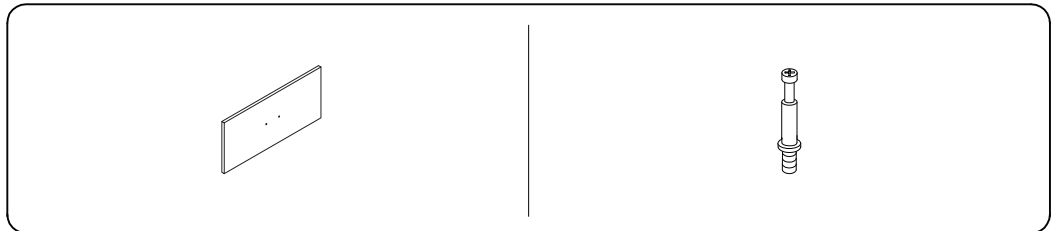
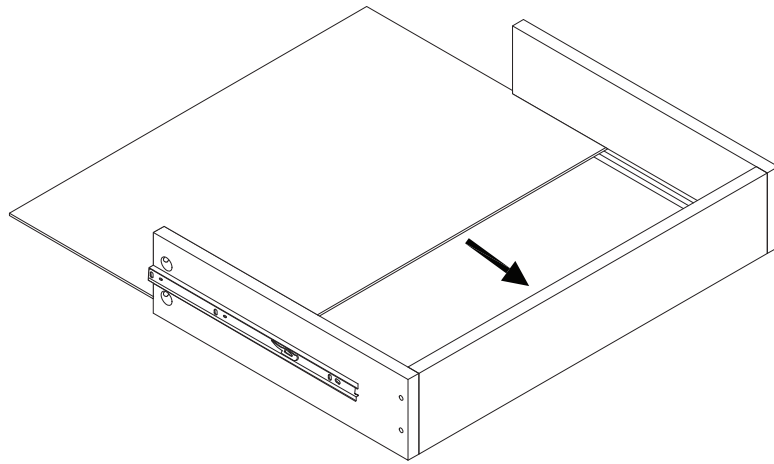
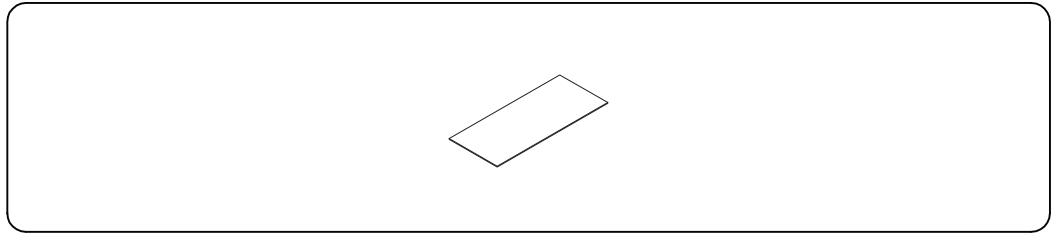


17 x 2



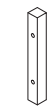
18 x 2





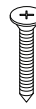
21 x 2

16



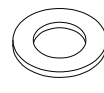
x 1

J

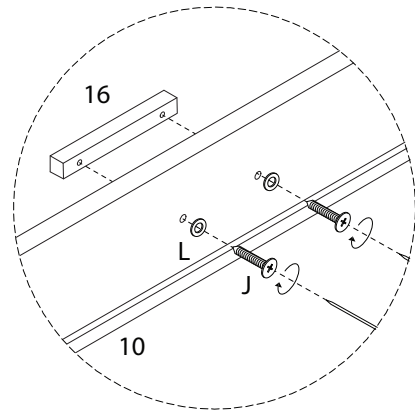
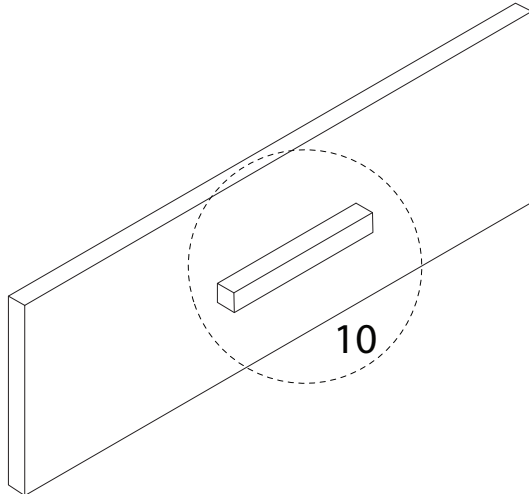


x 2

L



x 2

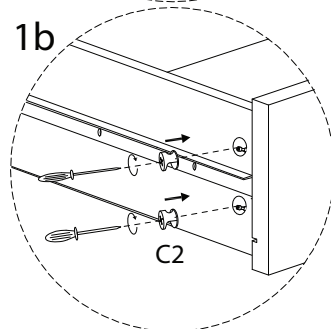
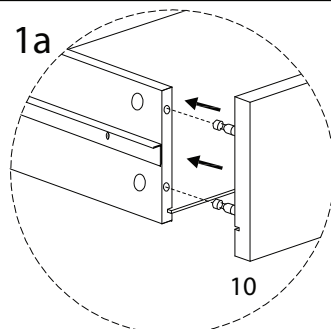
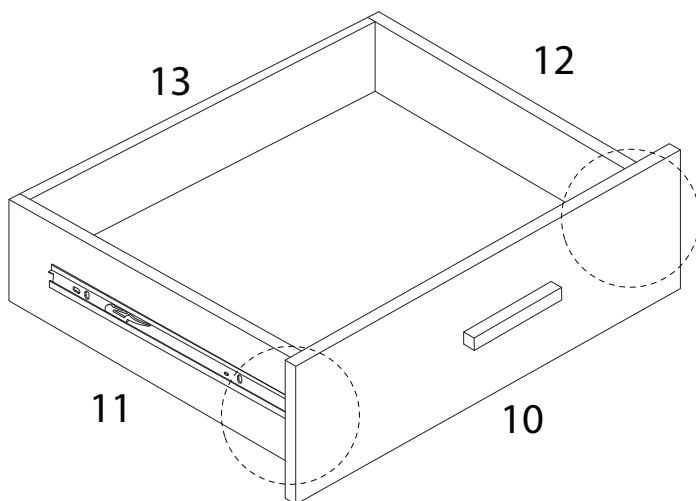


22 x 2

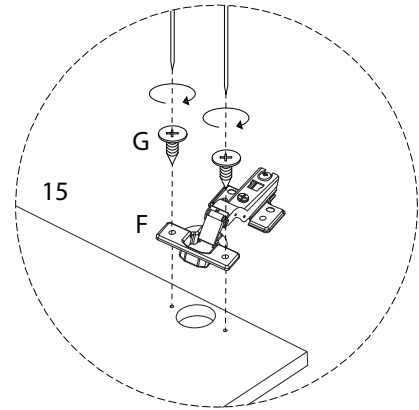
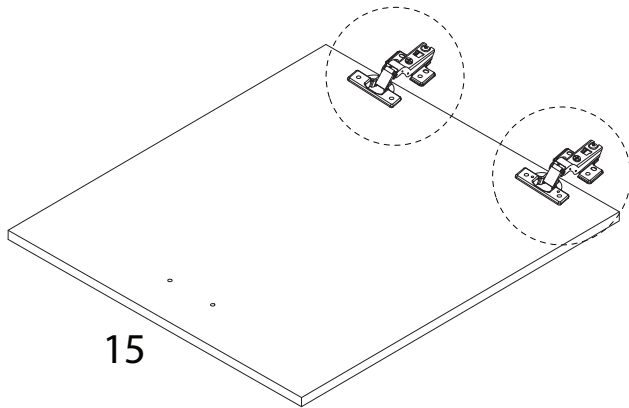
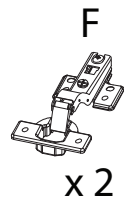
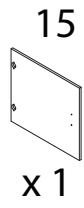
C2



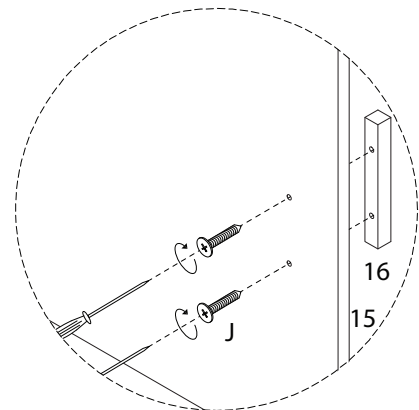
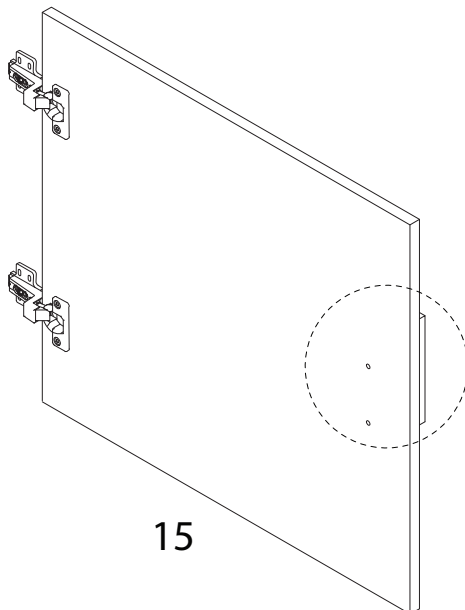
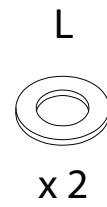
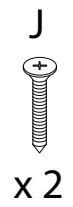
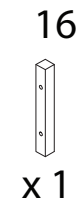
x 4



23



24

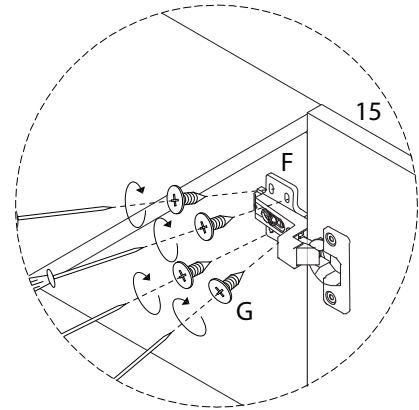
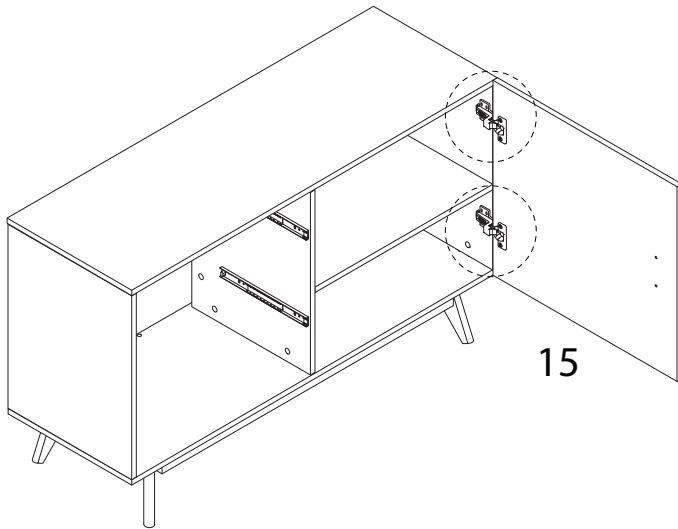


25

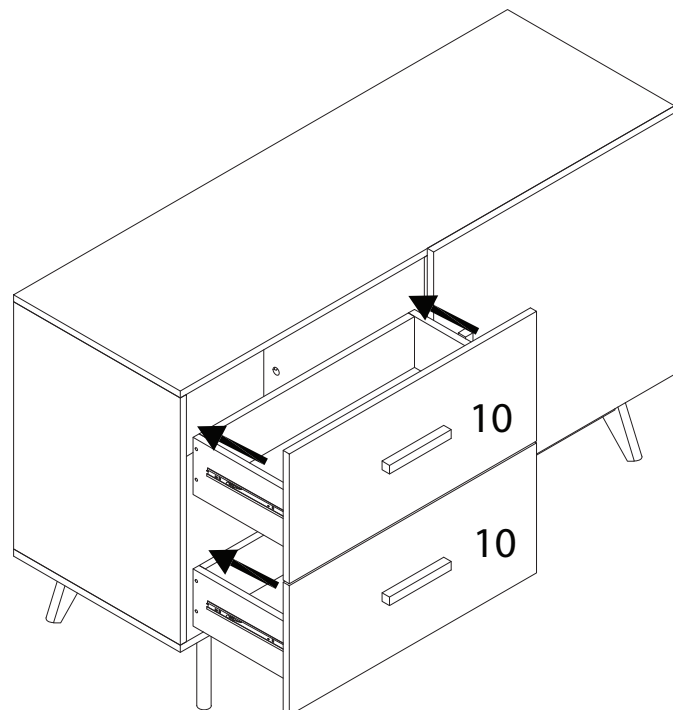
G



x 8



26



!

