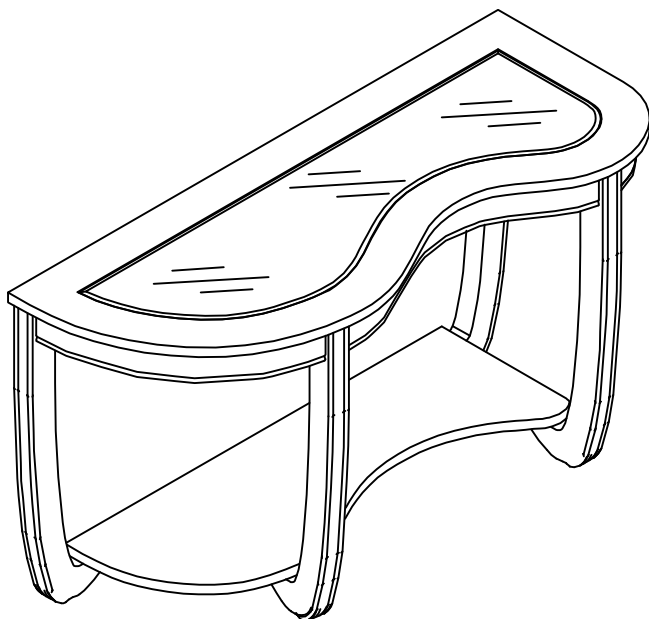


# ASSEMBLY INSTRUCTIONS

---



## TOOLS REQUIRED

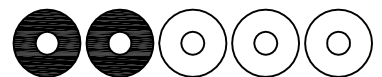


Allen Wrench  
(Included)



2 - People  
Recommended

## ASSEMBLY RATING



EASY —————> DIFFICULT

The Assembly Rating is a 5-point system showing the level of effort needed to assemble a specific product.

---

# PRE ASSEMBLY INTRODUCTION

We understand building ready-to-assemble furniture can be a challenging experience for some. To help avoid confusion, we have provided some helpful tips that may speed up the process.



## Teamwork

ALWAYS have at least two people to help with transporting and assembling the product to avoid potential injury and/or damage.



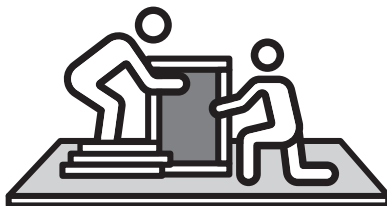
## Suitable Location

Assembling near the area of the intended location is highly recommended.



## Sufficient Space

Make sure you have enough space to move around during the assembly.



## Avoid Scratches

Use cardboard, blankets or a carpeted area while assembling furniture to prevent scratches.



## Flat Surface

Make sure the furniture rests on a flat and level surface with each leg evenly touching the floor.

# ASSEMBLY AND CARE ADVICE



**FAILURE TO FOLLOW THE GUIDELINES BELOW MAY RESULT IN INJURY AND/OR PROPERTY DAMAGE.**



Position each part correctly and insert screws or bolts into their respective holes.



Turn clockwise to tighten and only tighten when step is completed or when instructed to do so.



Use the appropriate hand tools or power tools for assembly. Select steps, such as tightening screws and/or bolts, may require hand tools to avoid causing damage during assembly.



Save the instructions and store any supplied tools for later maintenance.



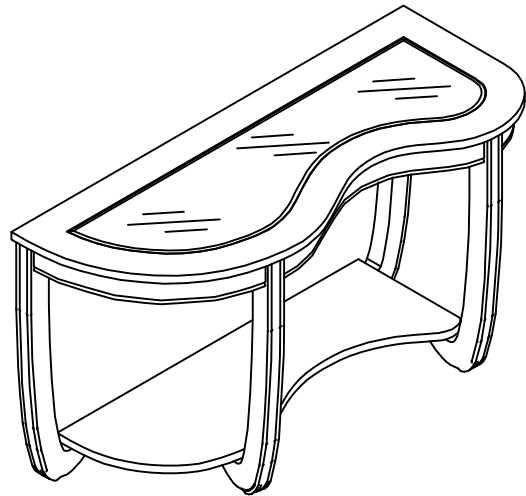
After two weeks, check and tighten any loose hardware and repeat again every six months thereafter.

**IT IS THE USER'S RESPONSIBILITY TO MAINTAIN THE FURNITURE. THE HARDWARE MAY LOOSEN OVER TIME AND MAY CAUSE THE FURNITURE TO BE WOBBLY AND UNABLE TO SUPPORT ITS INTENDED WEIGHT CAPACITY. THIS MAY LEAD TO COLLAPSE AND MAY CAUSE SERIOUS INJURY.**

# SOFA TABLE



- Please keep instructions for future reference.
- Check the quantity and irregularity of parts and hardware before you start.



## PARTS

#1 1pc



Glass

#2 1pc



Top Frame

#3 4pcs



Feet

#4 1pc



Bottom Panel

## HARDWARE

#A 8pcs



Bolt Ø1/4"X5/8"

#B 8pcs



Bolt Ø1/4"X1"

#C 4pcs



Bolt Ø1/4"X1-1/2"

#D 12pcs



Lock Washer Ø1/4"

#E 12pcs



Flat Washer Ø1/4"X19mm

#F 1PC



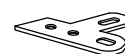
Allen Wrench 4mm

#G 2PCS



Metal Plate

#H 1PC



Metal Plate

#I 1PC

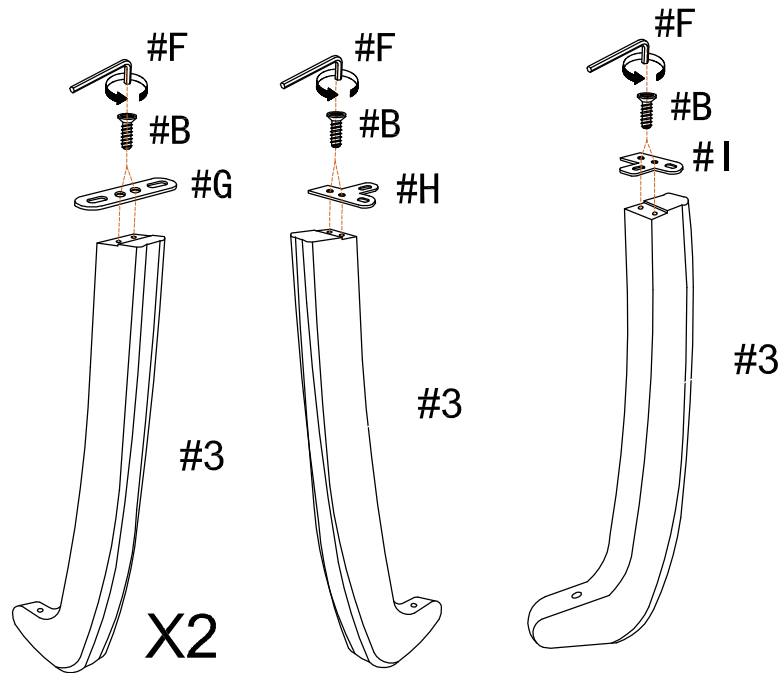


Metal Plate

# ASSEMBLY INSTRUCTIONS

## 1

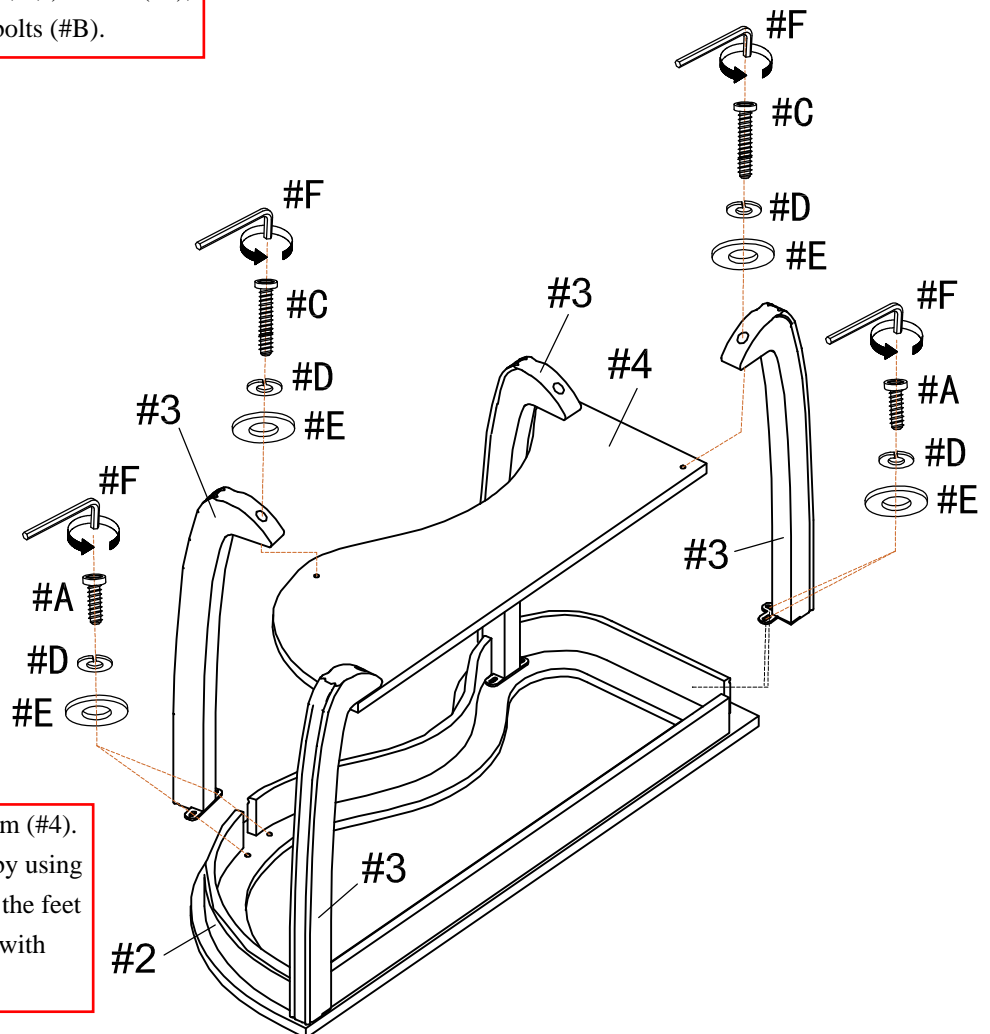
- Part #3 X4pcs
- Hardware #B X8pcs
- Hardware #G X2pcs
- Hardware #H X1pc
- Hardware #I X1pc
- Hardware #F X1pc



Align metal plates (#G,H,I) to feet (#3), then secure by using bolts (#B).

## 2

- Part #2 X1pc
- Part #4 X1pc
- Hardware #A X8pcs
- Hardware #C X4pcs
- Hardware #D X12pcs
- Hardware #E X12pcs
- Hardware #F X1pc



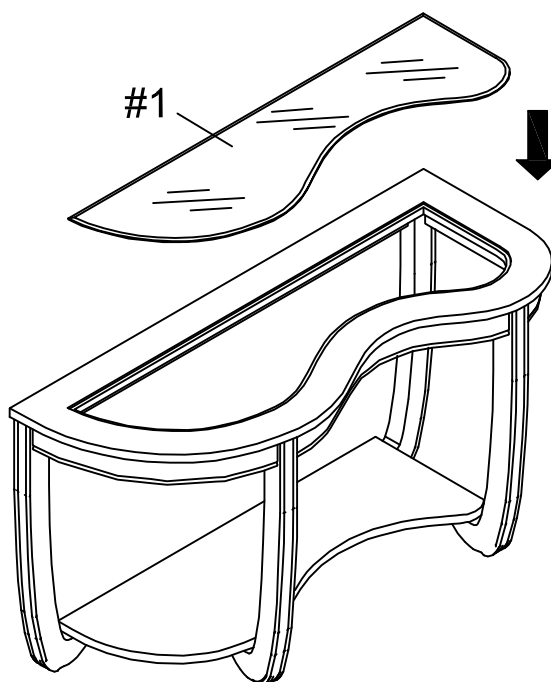
Align feet (#3) to the top (#2) and bottom (#4). Secure the feet (#3) to the bottom (#4) by using bolts (#C) with washers (#D,E). Secure the feet (#3) to the top (#2) by using bolts (#A) with washers (#D,E).

# ASSEMBLY INSTRUCTIONS

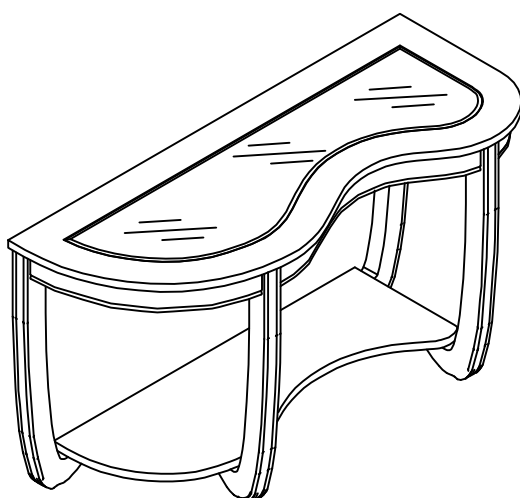
3

Part #1 X1pc

Carefully place glass (#1) onto the product.



4



## ASSEMBLY COMPLETED



Please ensure the furniture rests on an even and flat surface. If the product wobbles or feels loose, double-check all bolts and/or screws are properly tightened and secured.

✓ **Keep this handy!**

Please retain this instruction manual and any order-related information for future reference.

✓ **Lift, don't drag!**

To avoid damage to product please always LIFT the product when transporting or adjusting the placement.