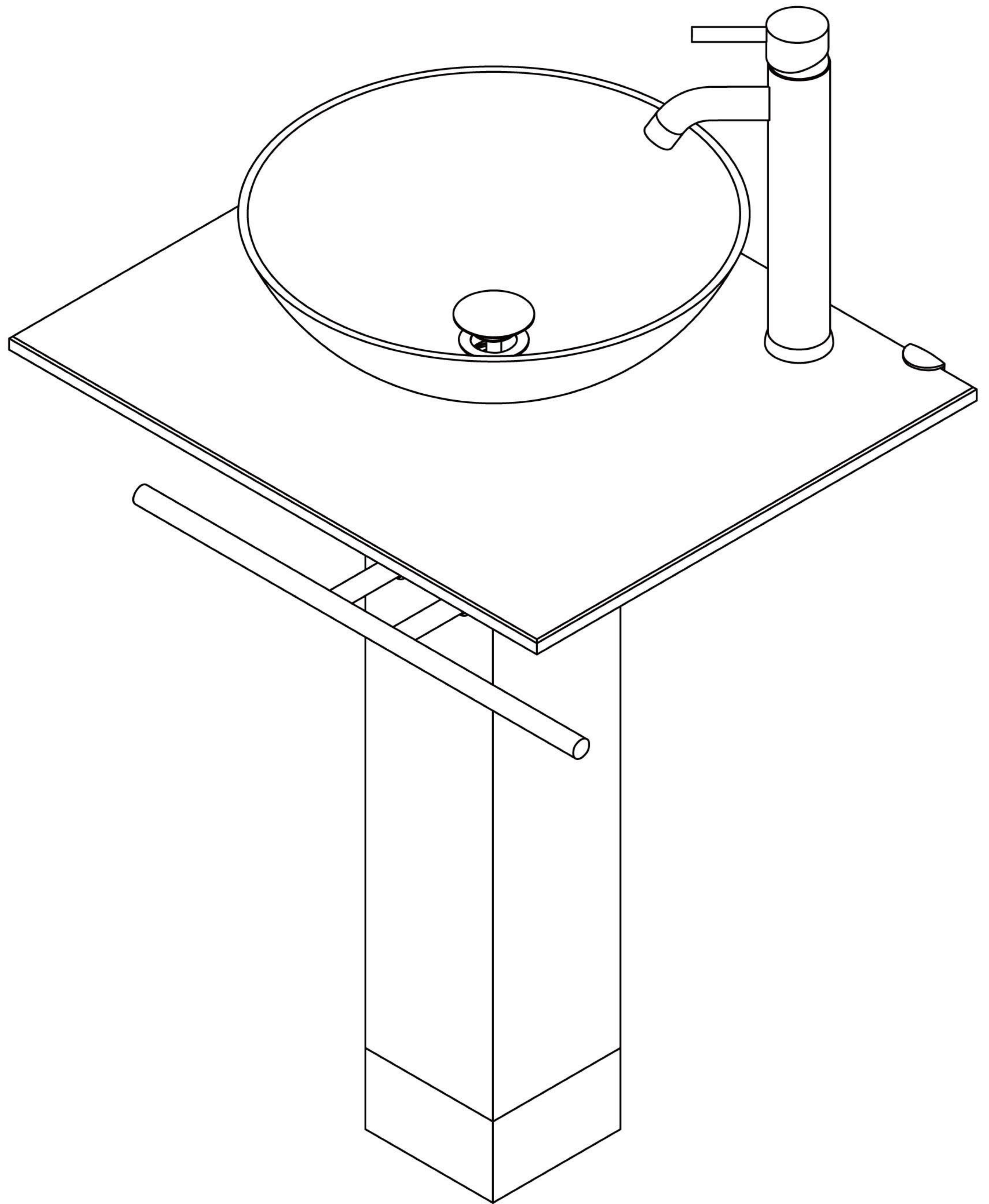
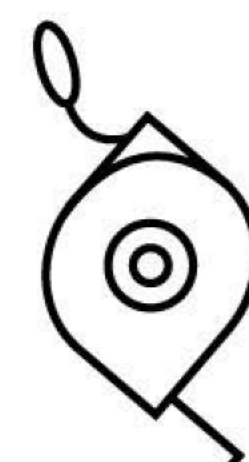
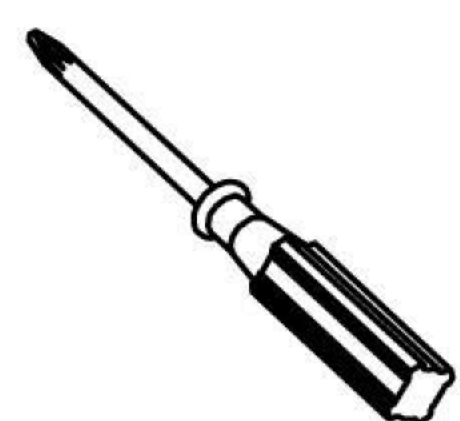
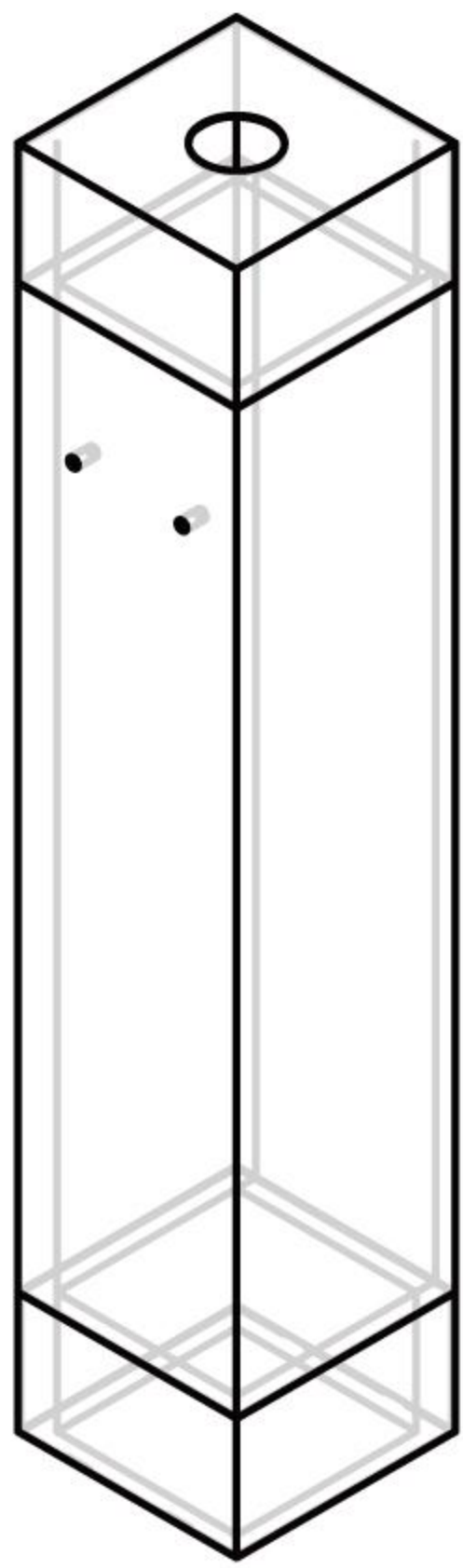


INSTRUCTION

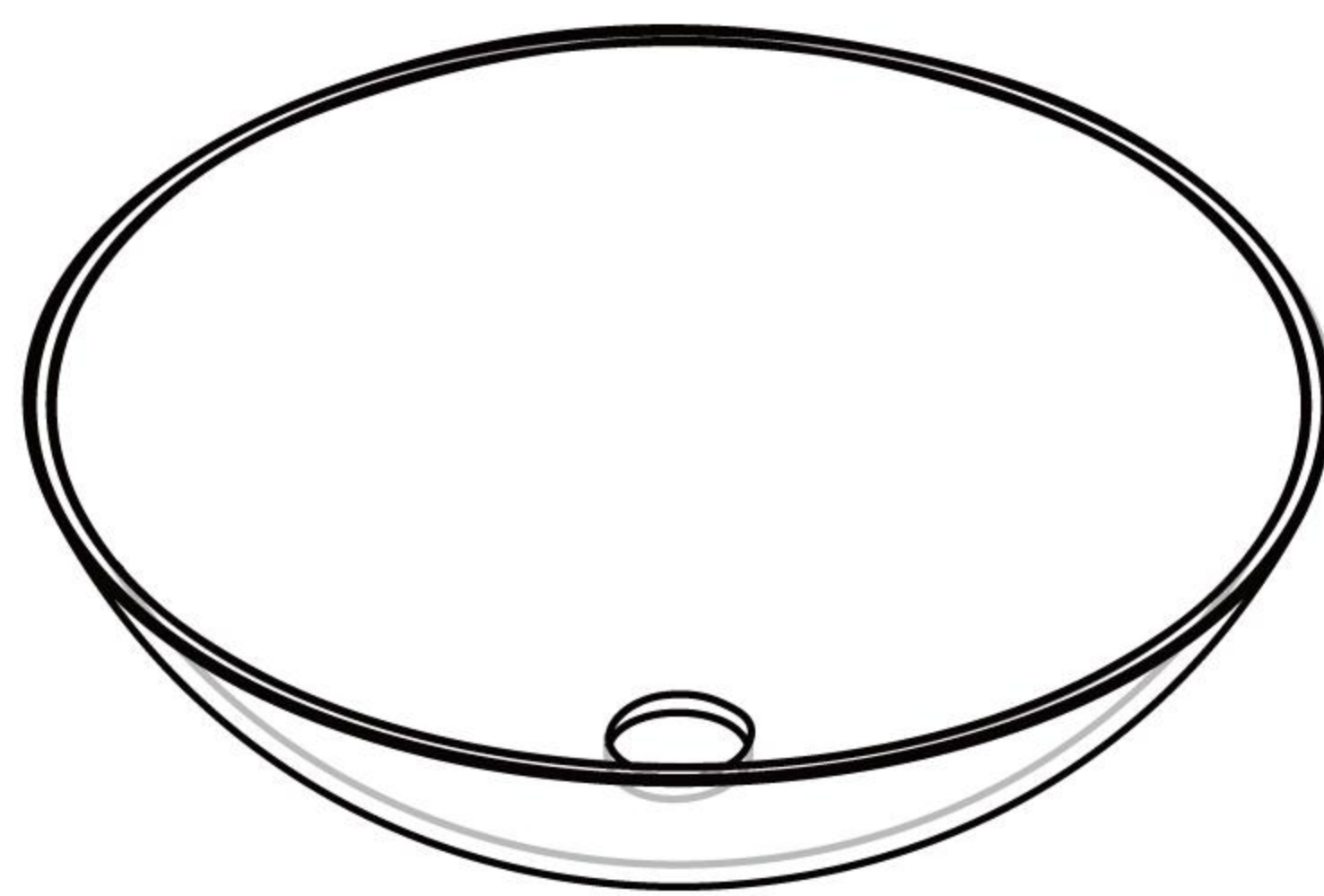


YOU MAY NEED (NOT SUPPLIED)

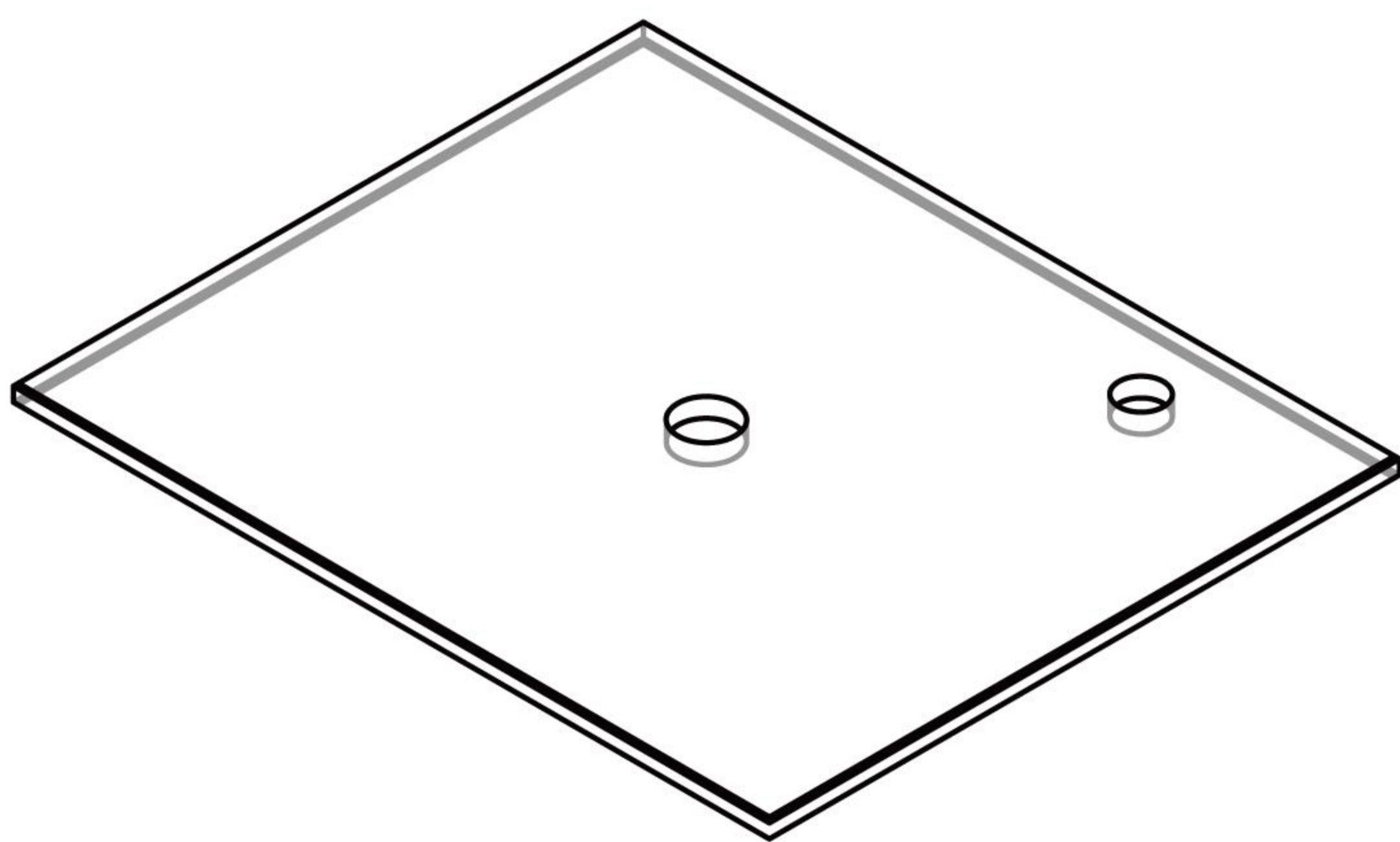




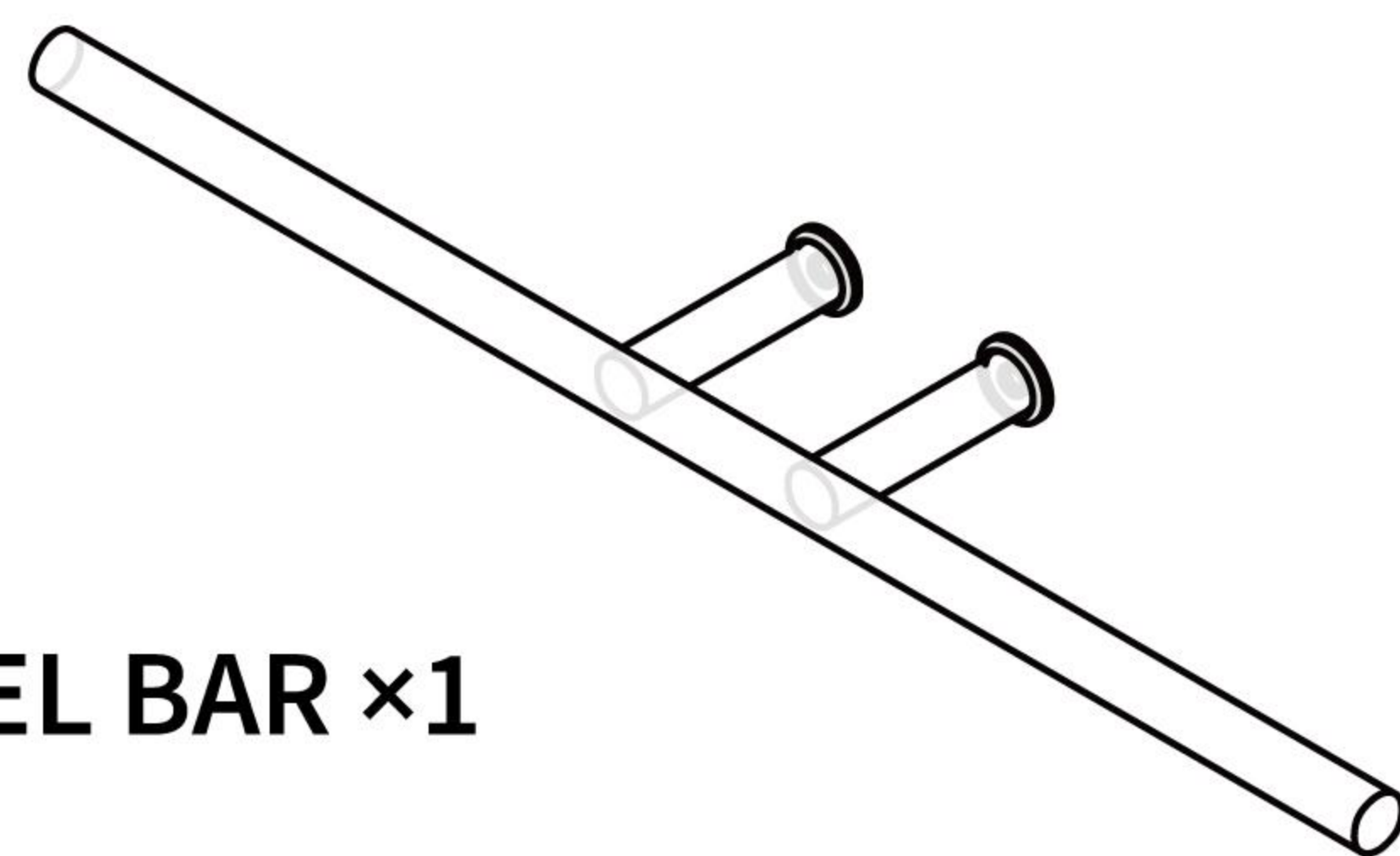
PEDESTAL ×1



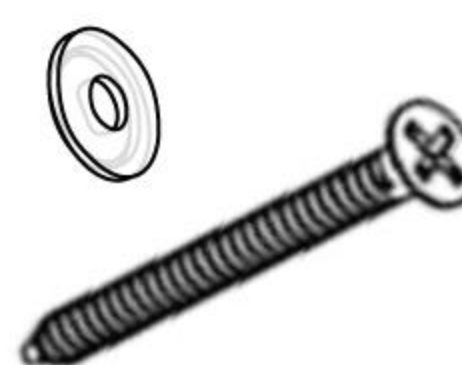
CERAMIC SINK ×1



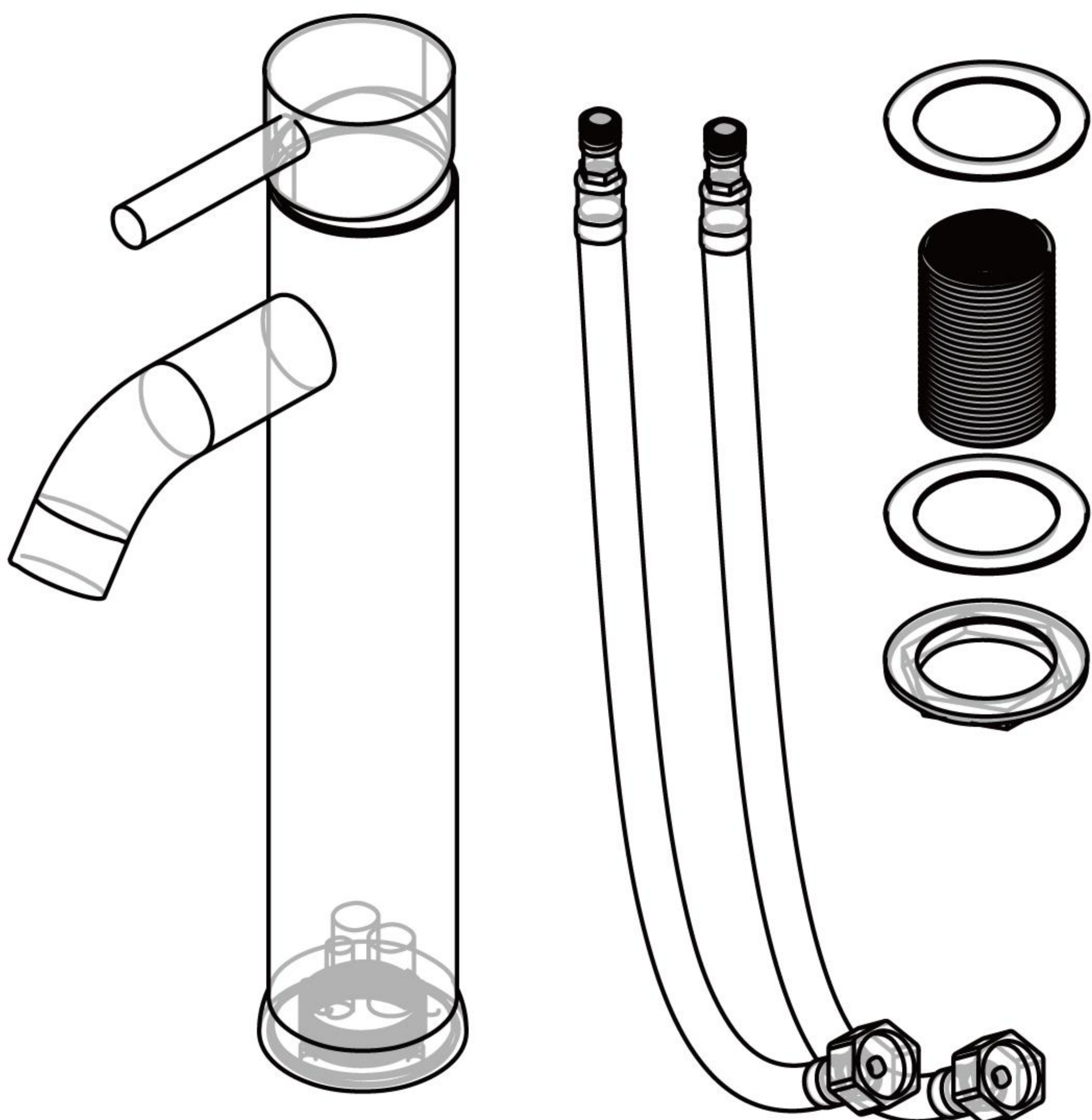
GLASS COUNTER TOP ×1



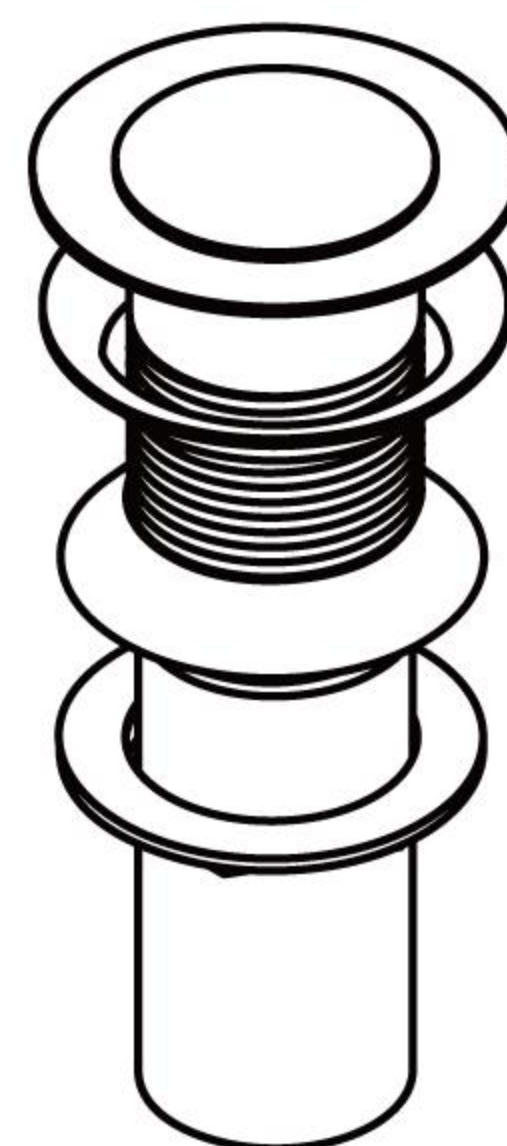
TOWEL BAR ×1



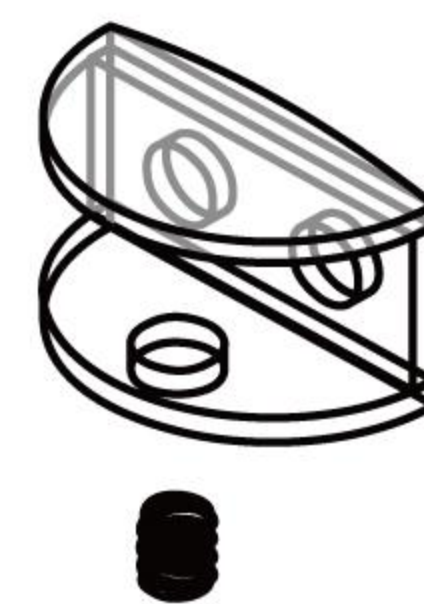
WASHER AND SCREWS
FOR TOWEL BAR
×2



FAUCET ×1

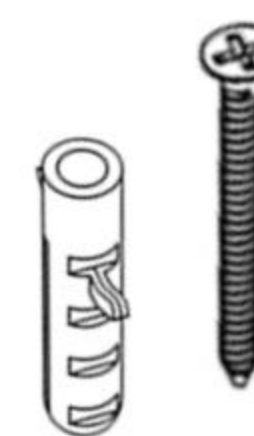


DRAIN ×1



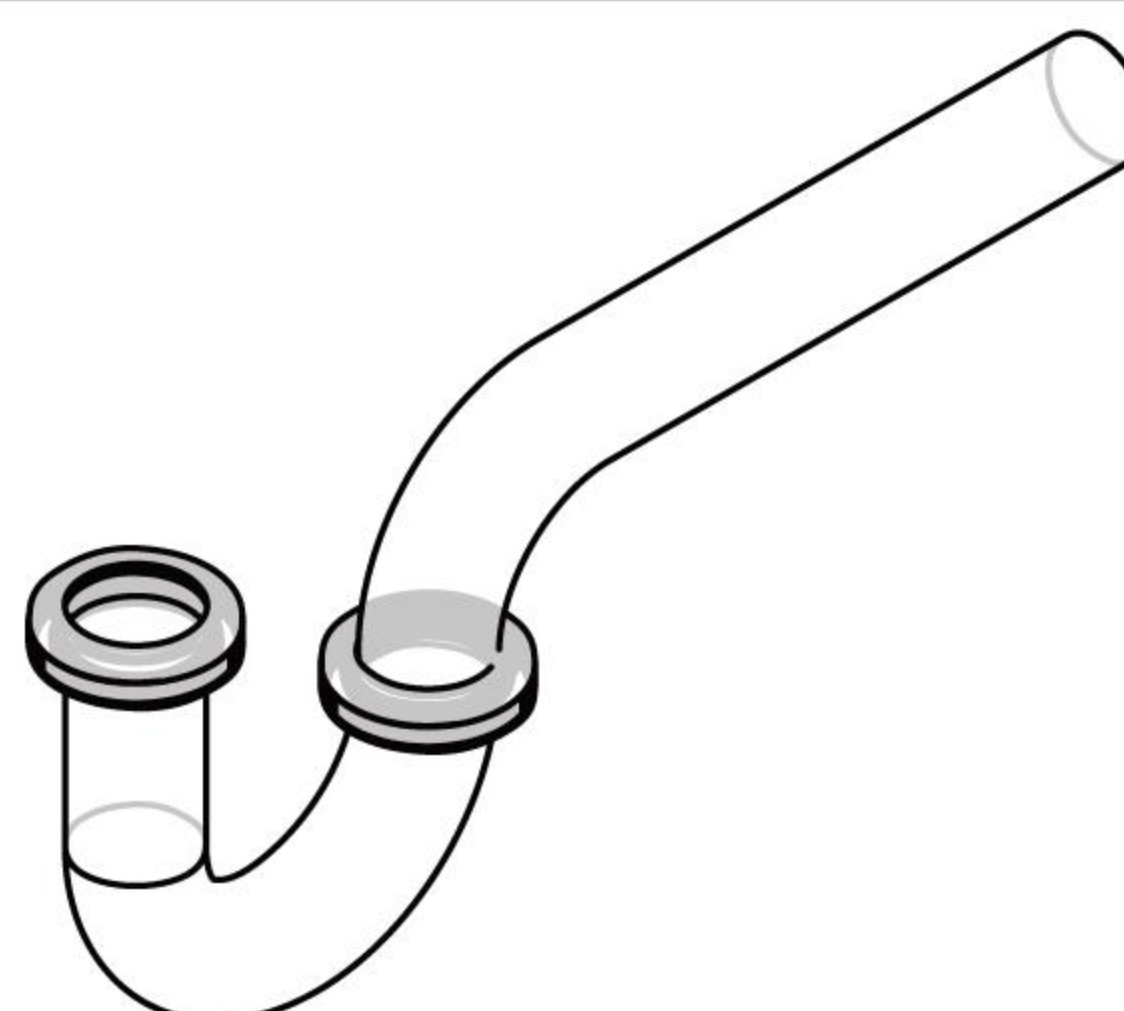
CLIPS×2

E1 E2



SCREWS
FOR CLIPS
×4

B1 B2

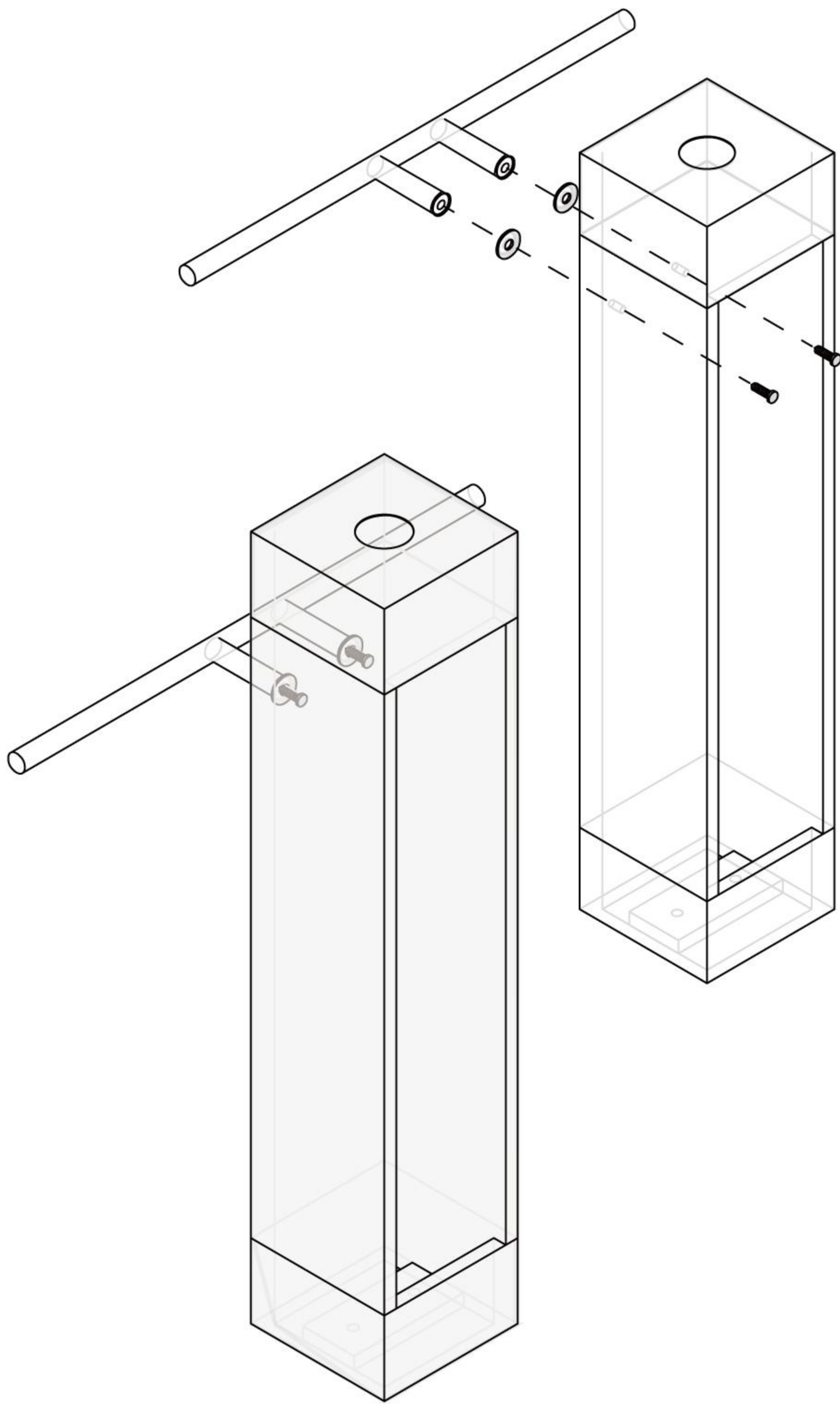


P-TRAP ×1

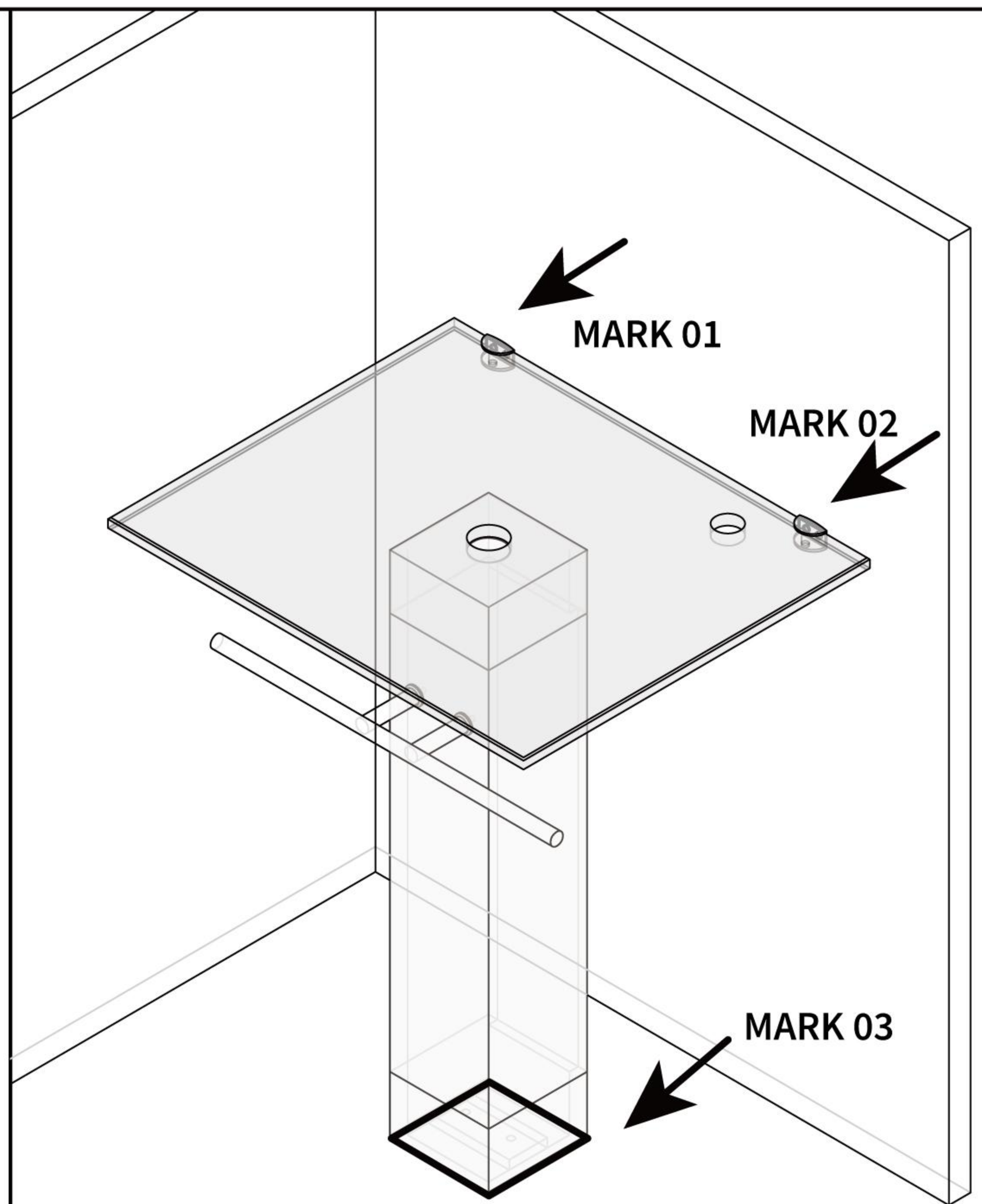


SCREWS
FOR PEDESTAL
×2

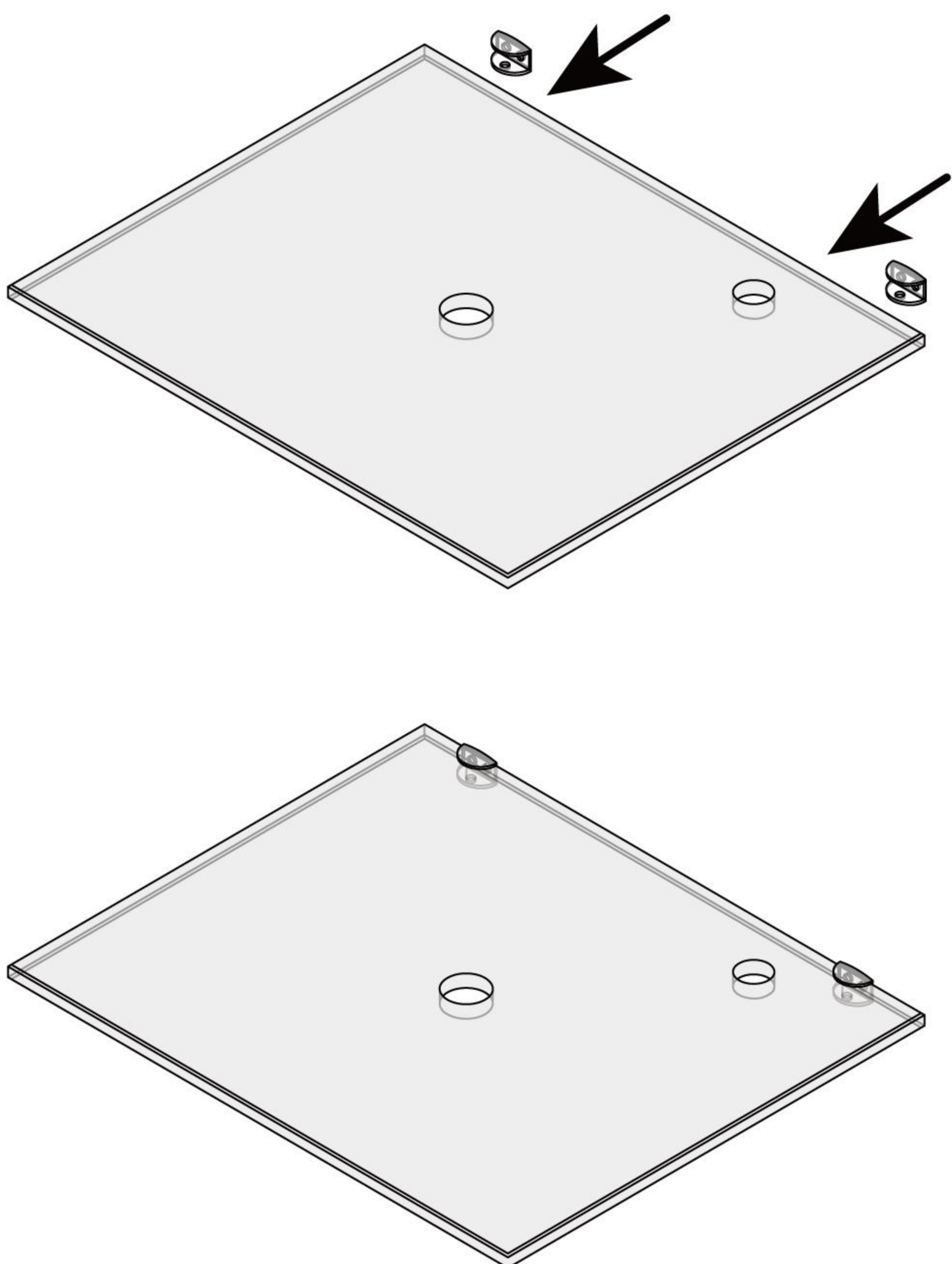
A1 A2



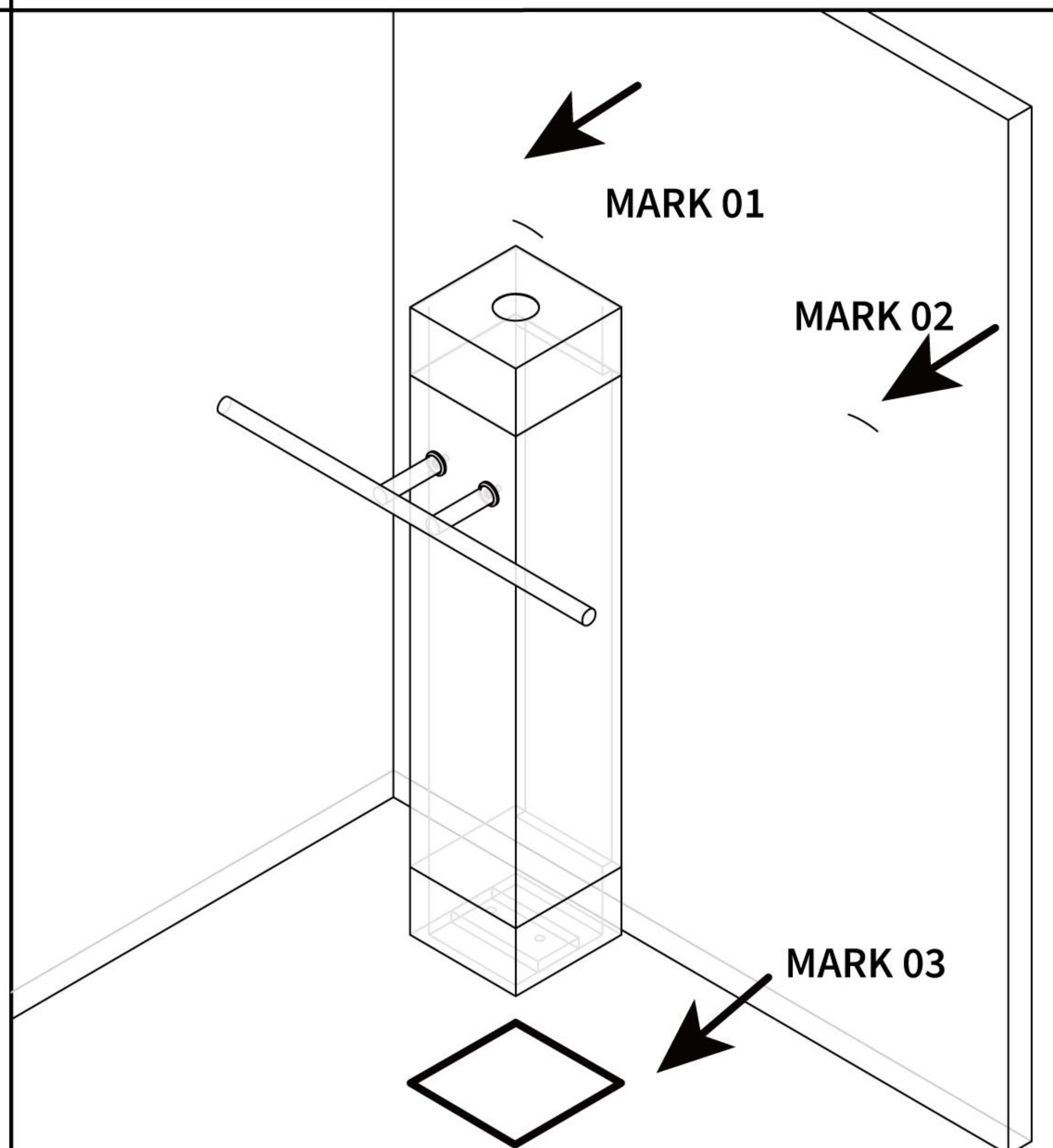
1\ Fix towel bar at the pedestal by washers and screws



3\ Keep the glass counter top with clips on the pedestal, Make sure the drain hole on the glass countertop are aligned with the drain hole on the pedestal. Then mark the location of the clips on the wall and pedestal on the floor

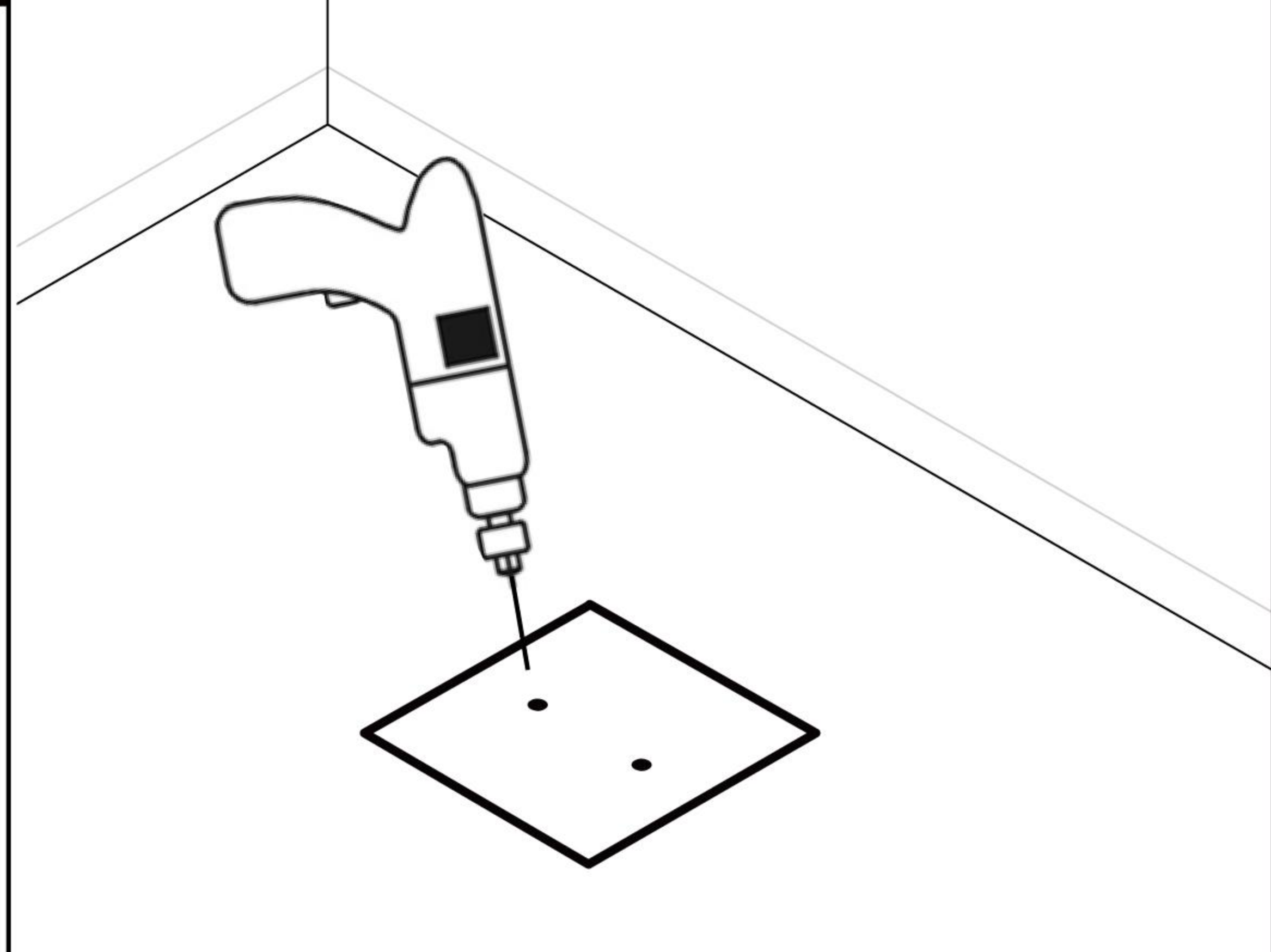
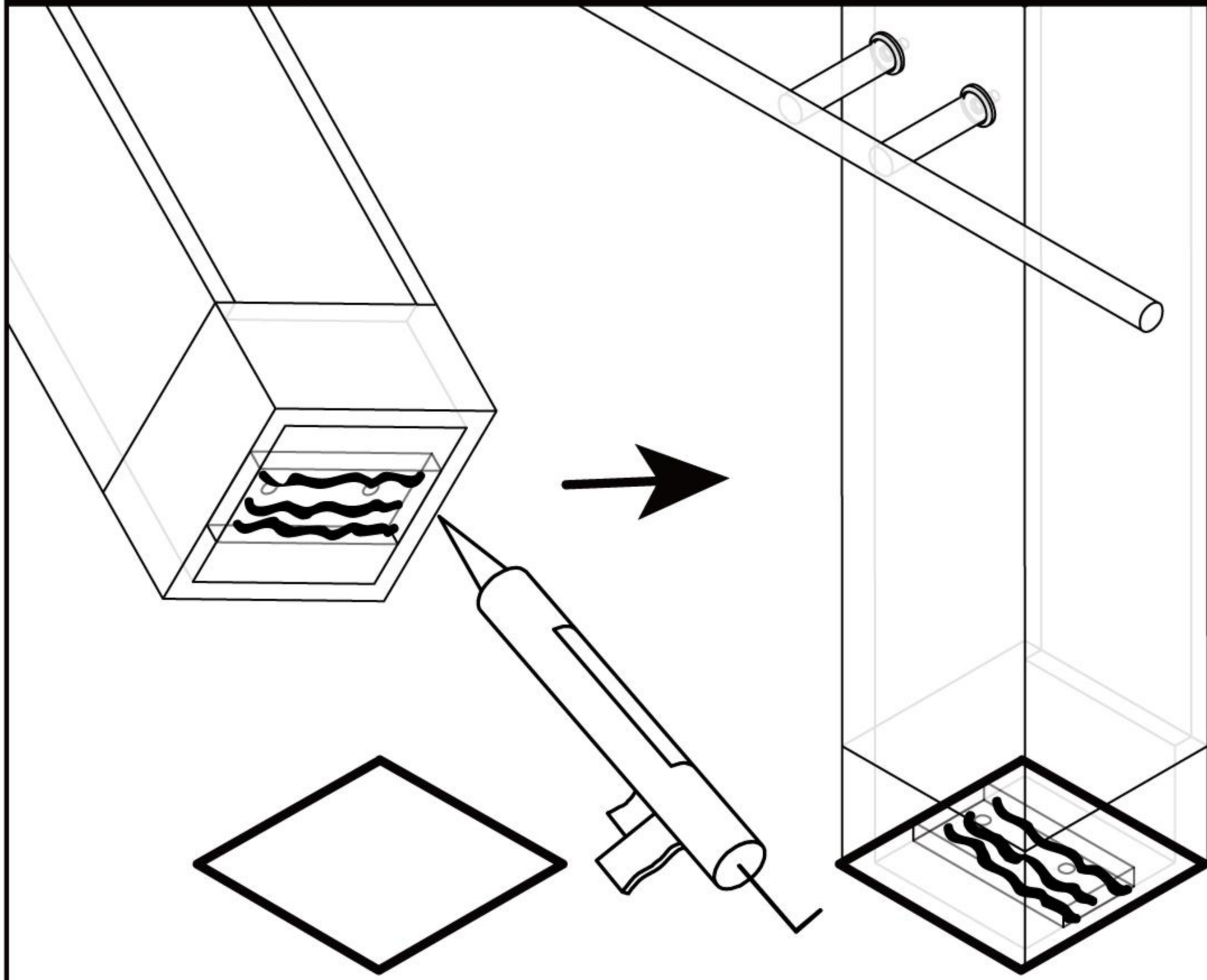


2\ Put the clips at the counter top



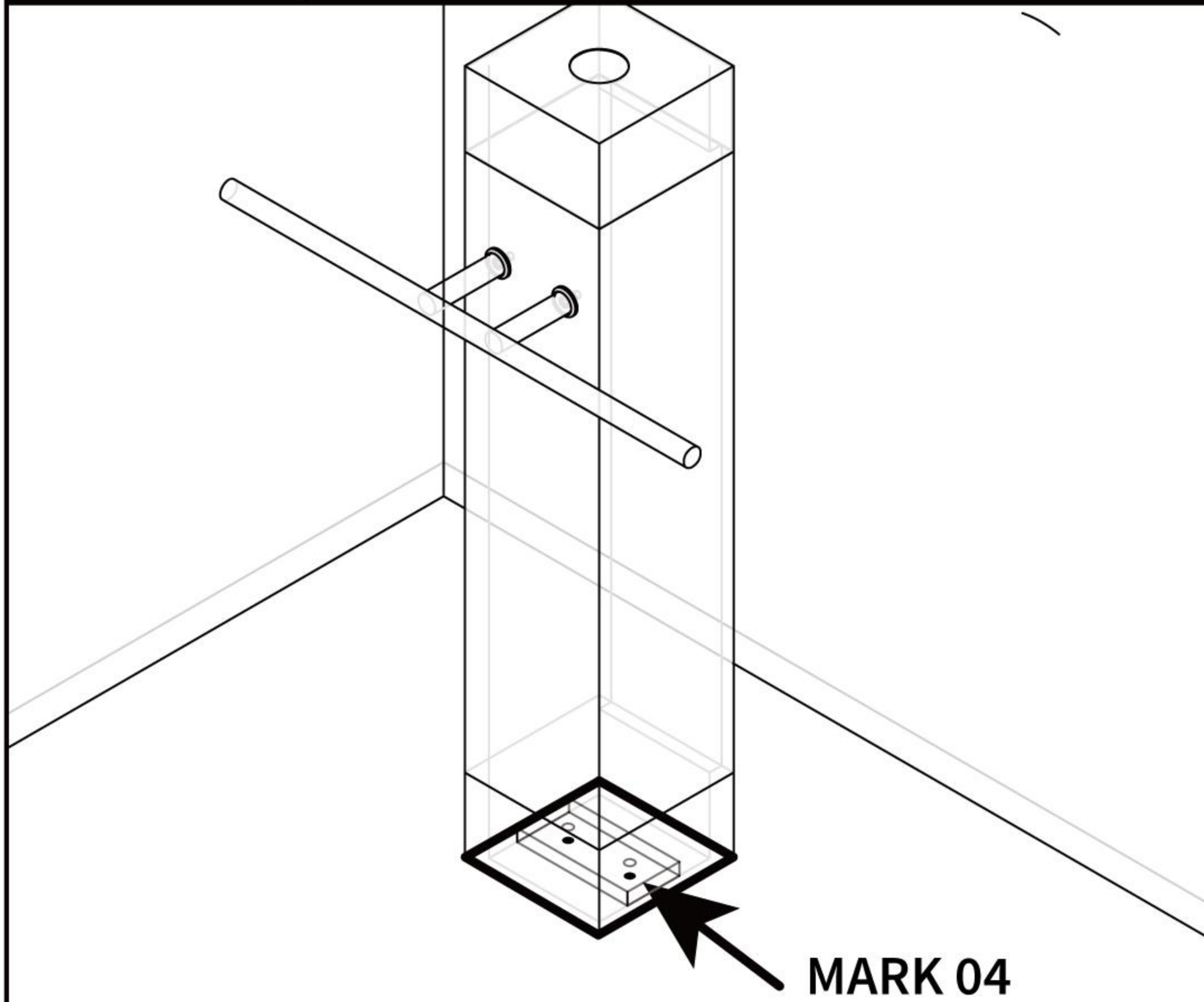
4\ There are two options to fix the pedestal. with screws or with waterproof silicone sealant

OPTION 01 | USE WATERPROOF SILICONE SEALANT

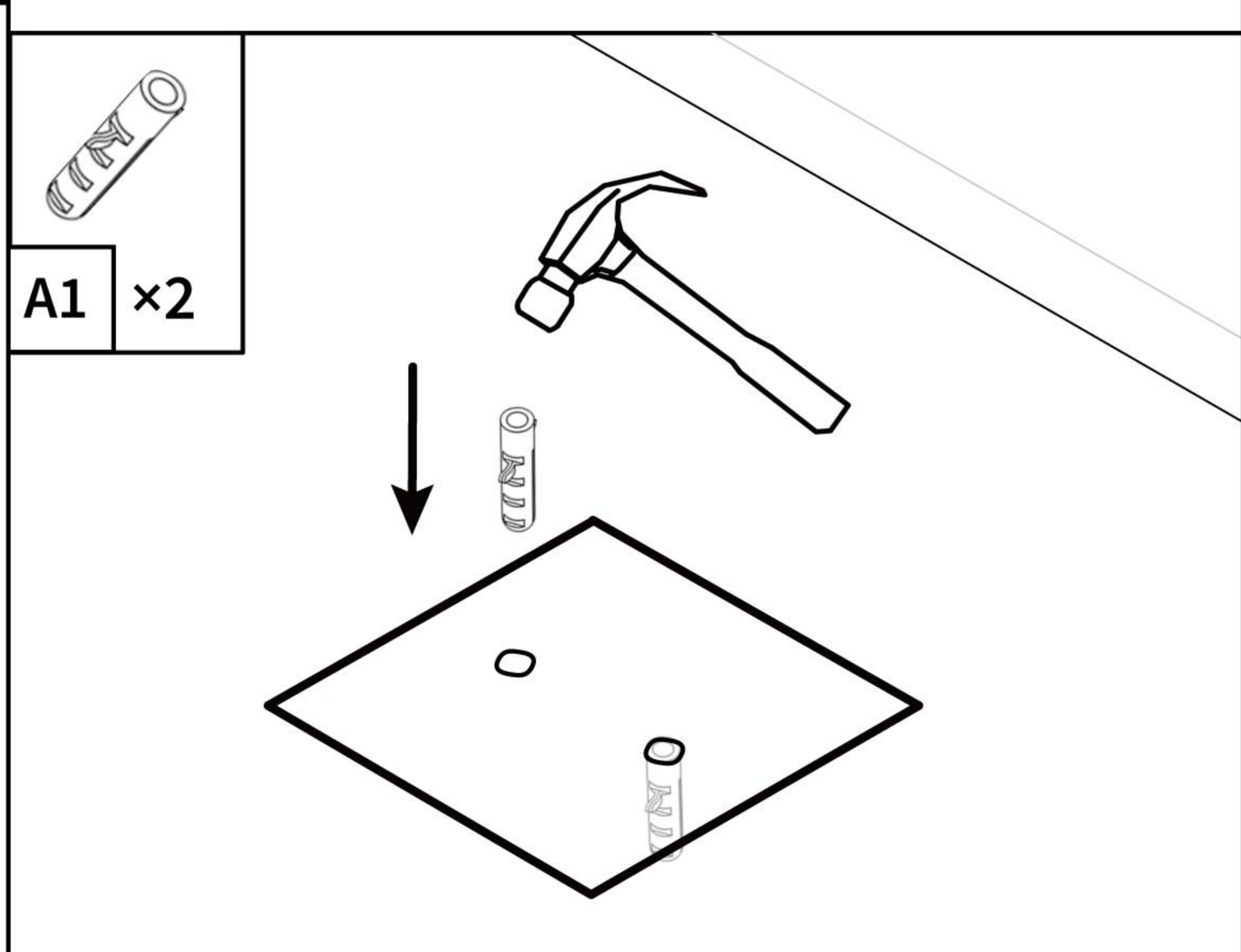


6-1 \ Remove the pedestal, drill holes in the places marked before.

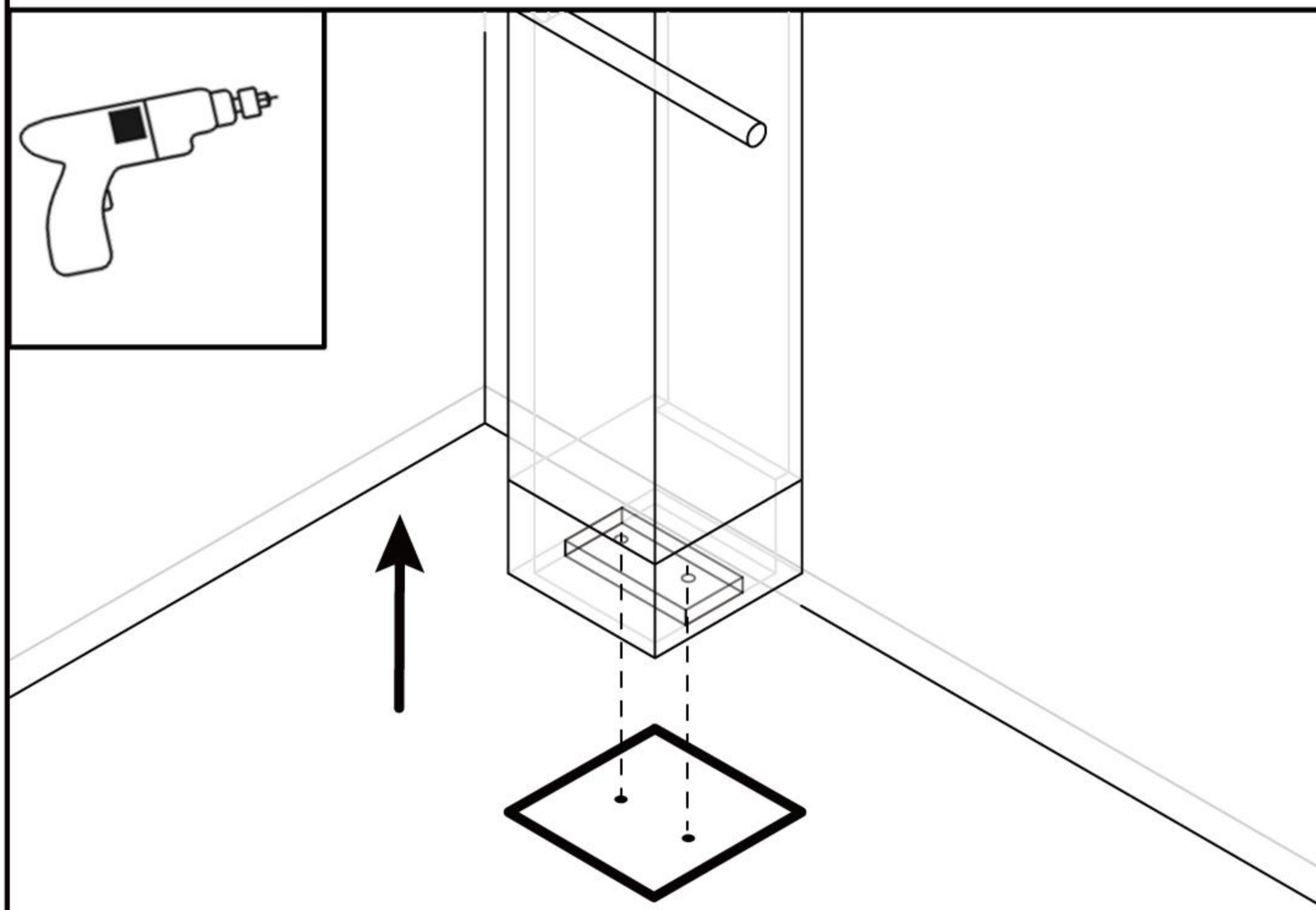
OPTION 02 | USE SCREWS



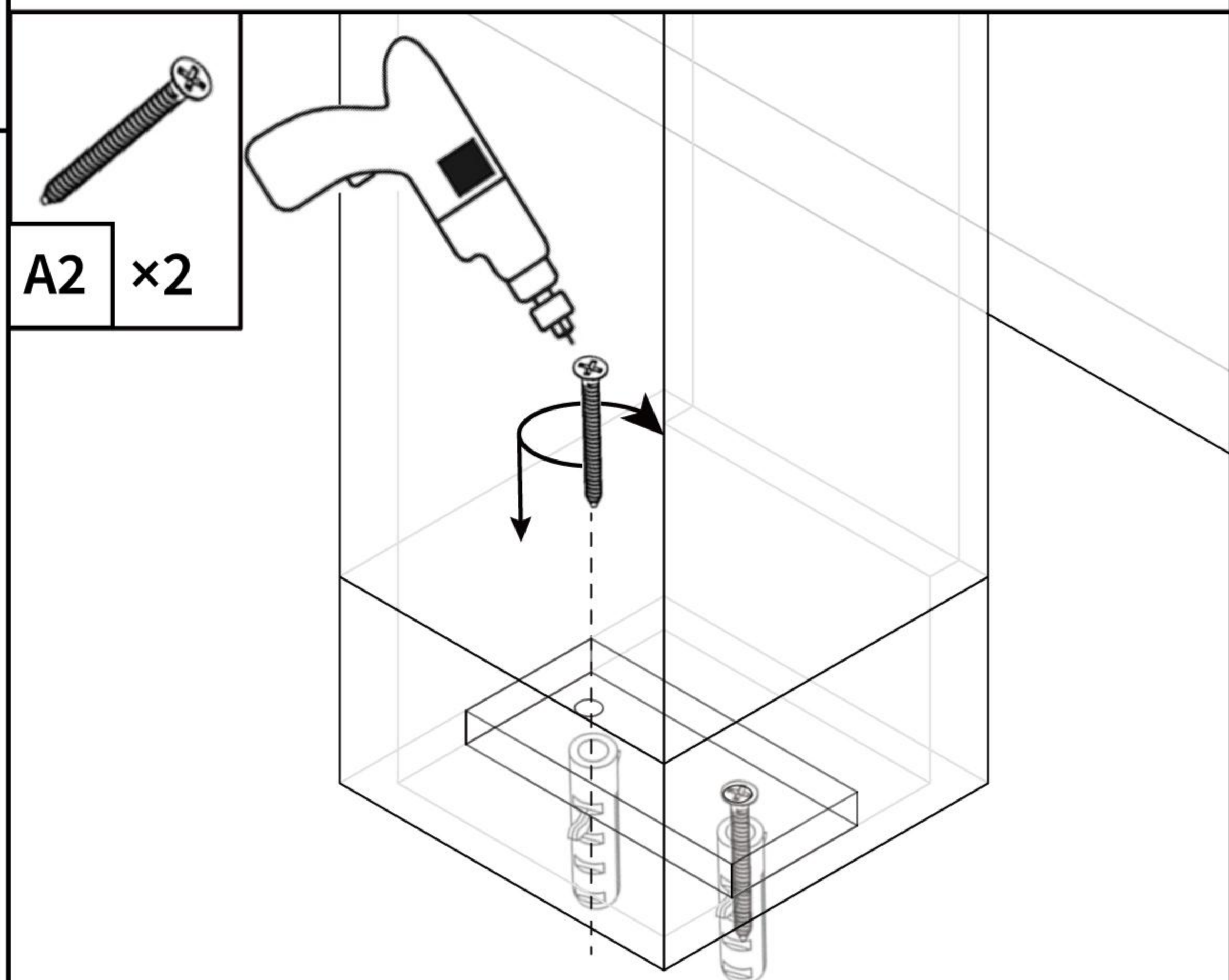
5 \ Place the pedestal and mark the screw holes at the floor



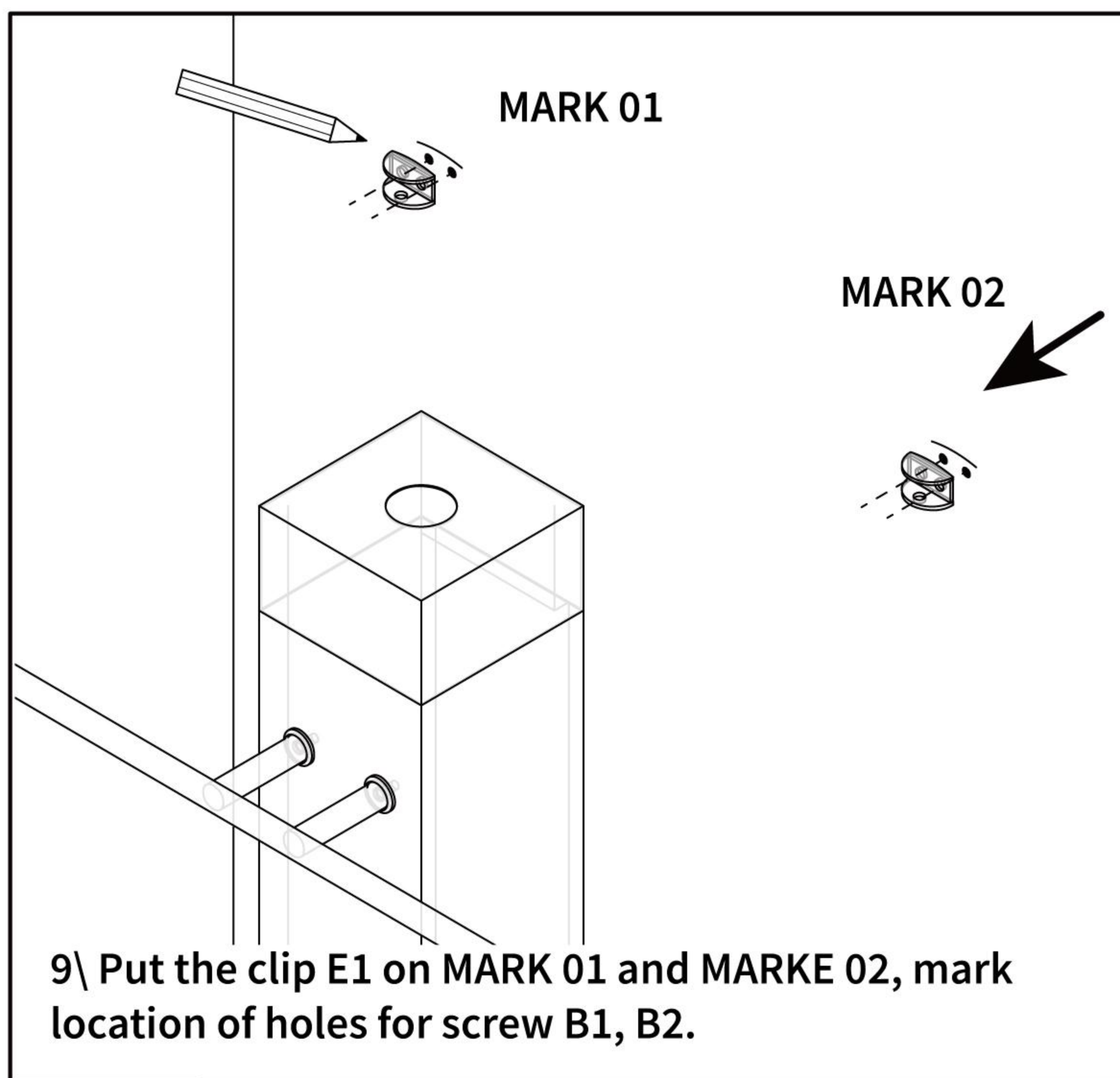
7 \ Hammer the screws A1 into the floor.



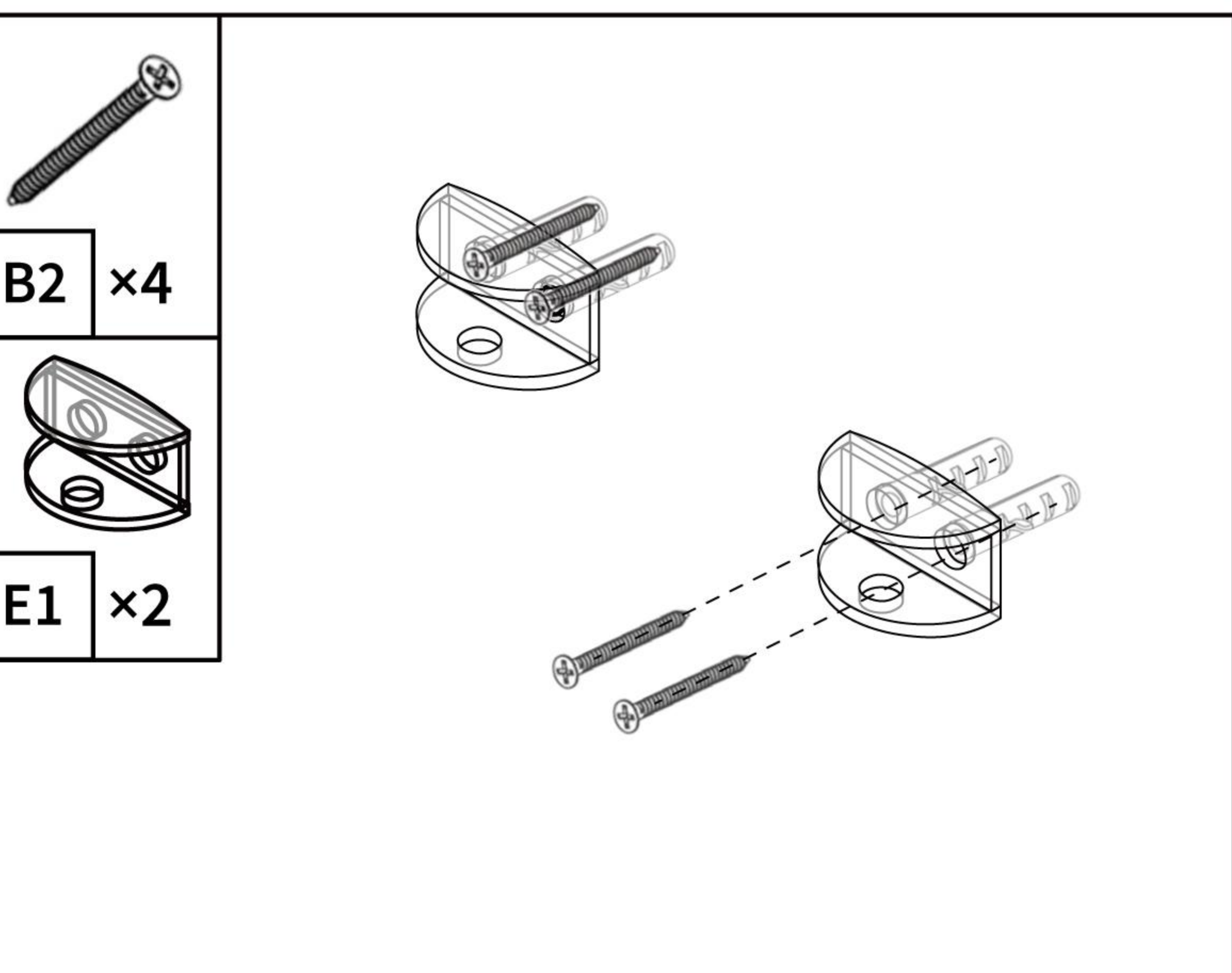
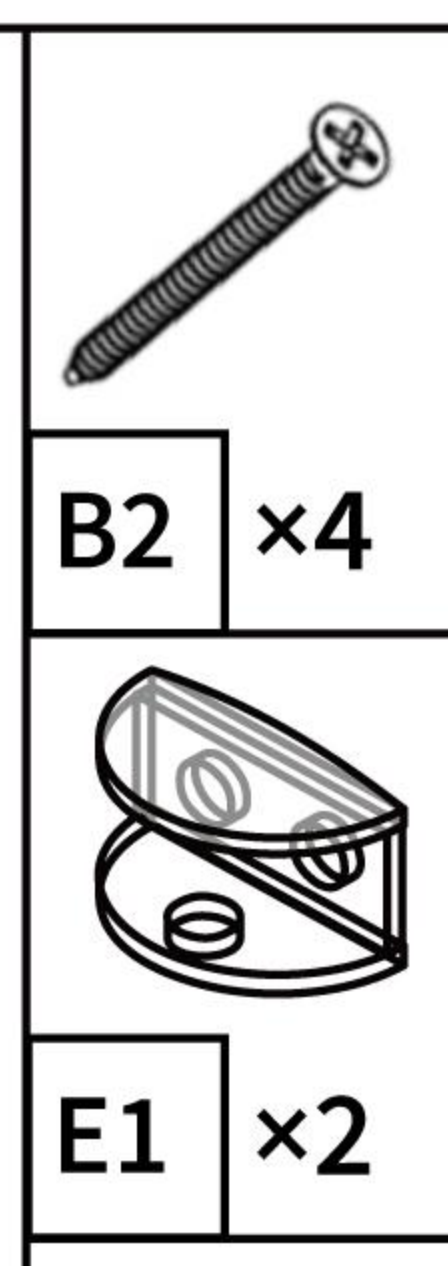
6 \ Remove the pedestal, drill holes in the places marked before.



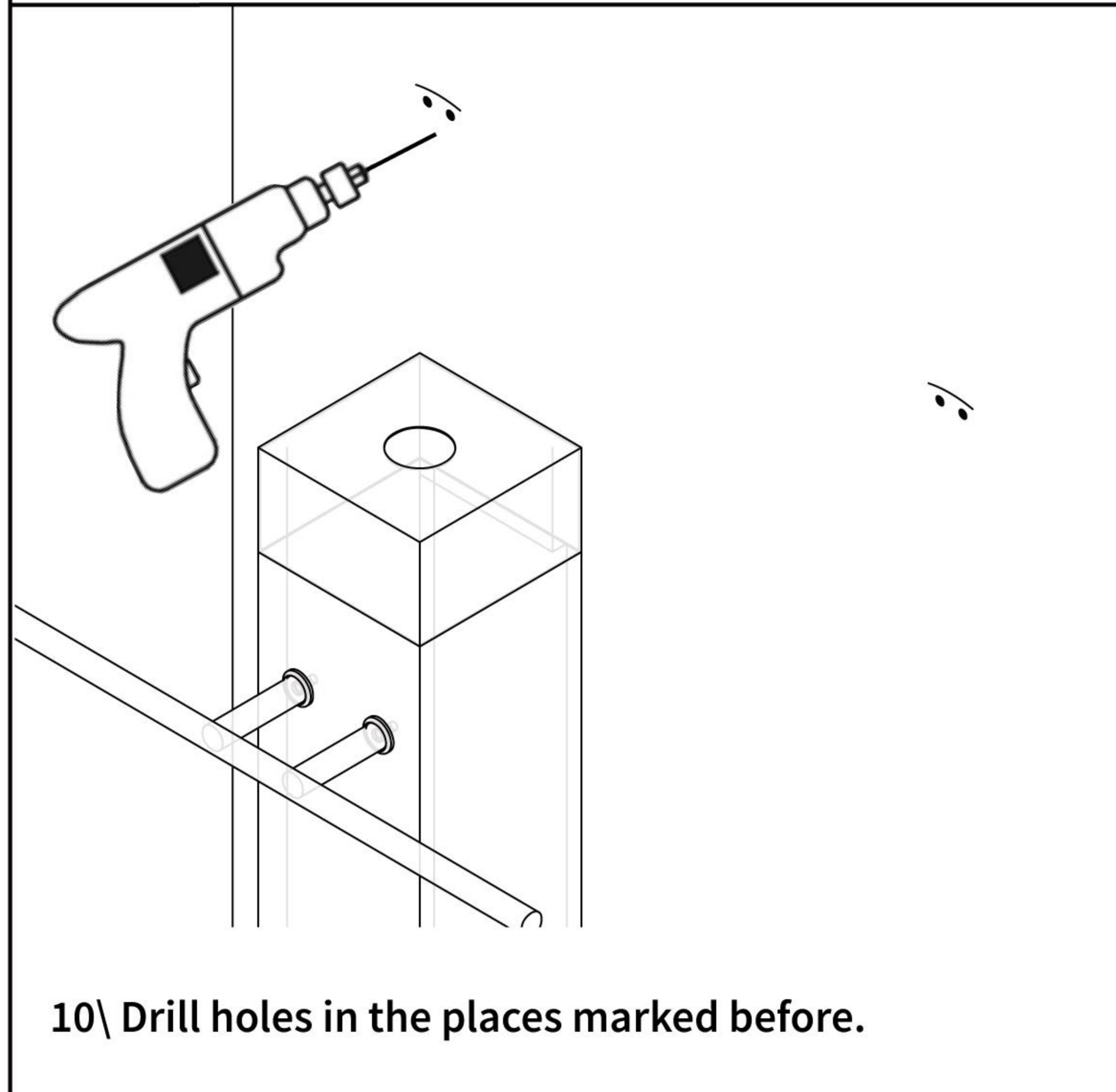
8 \ Align the pedestal's screw holes with the holes on the floor. Use screws A2 to fix the pedestal on the floor



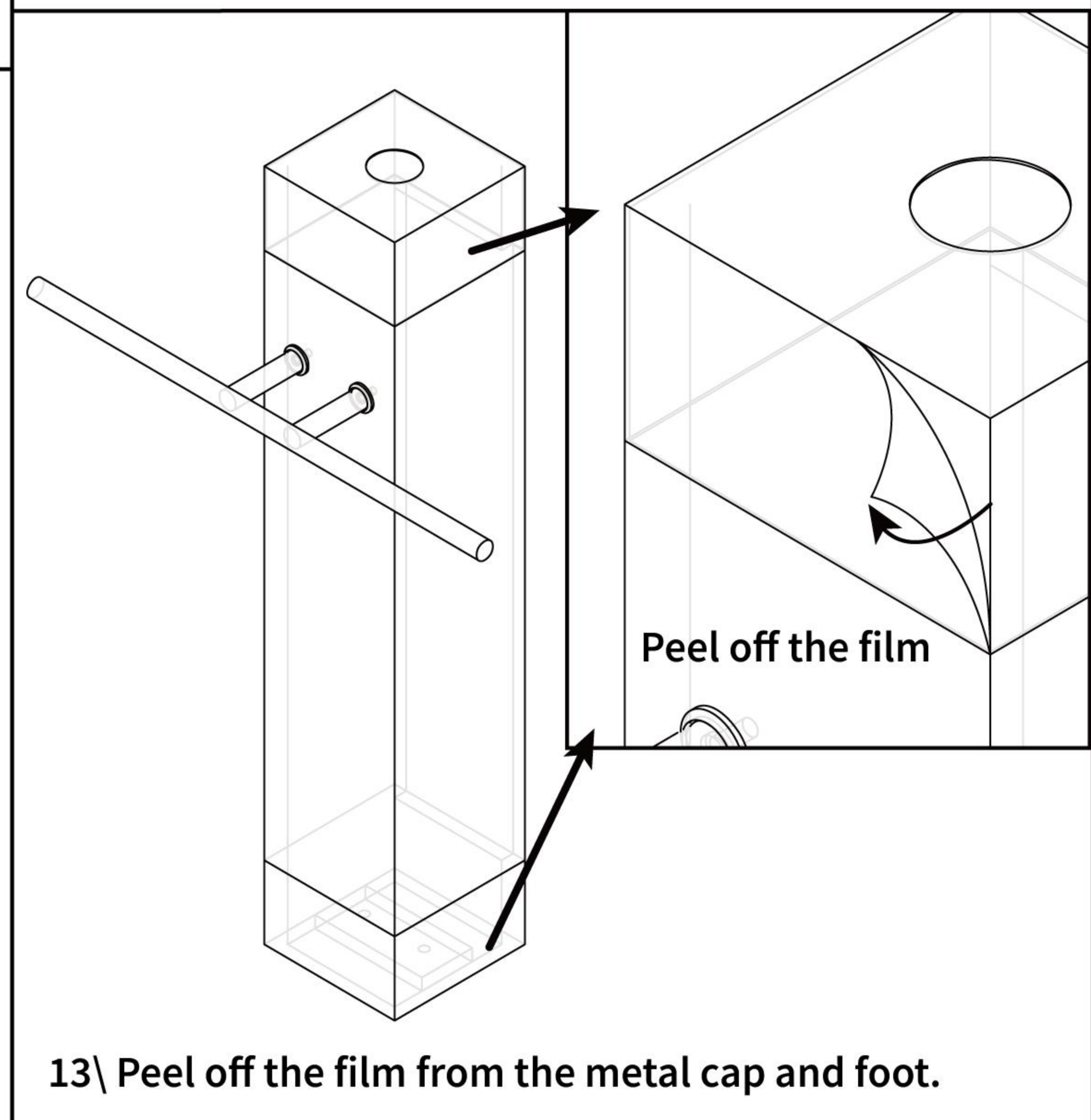
9\ Put the clip E1 on MARK 01 and MARKE 02, mark location of holes for screw B1, B2.



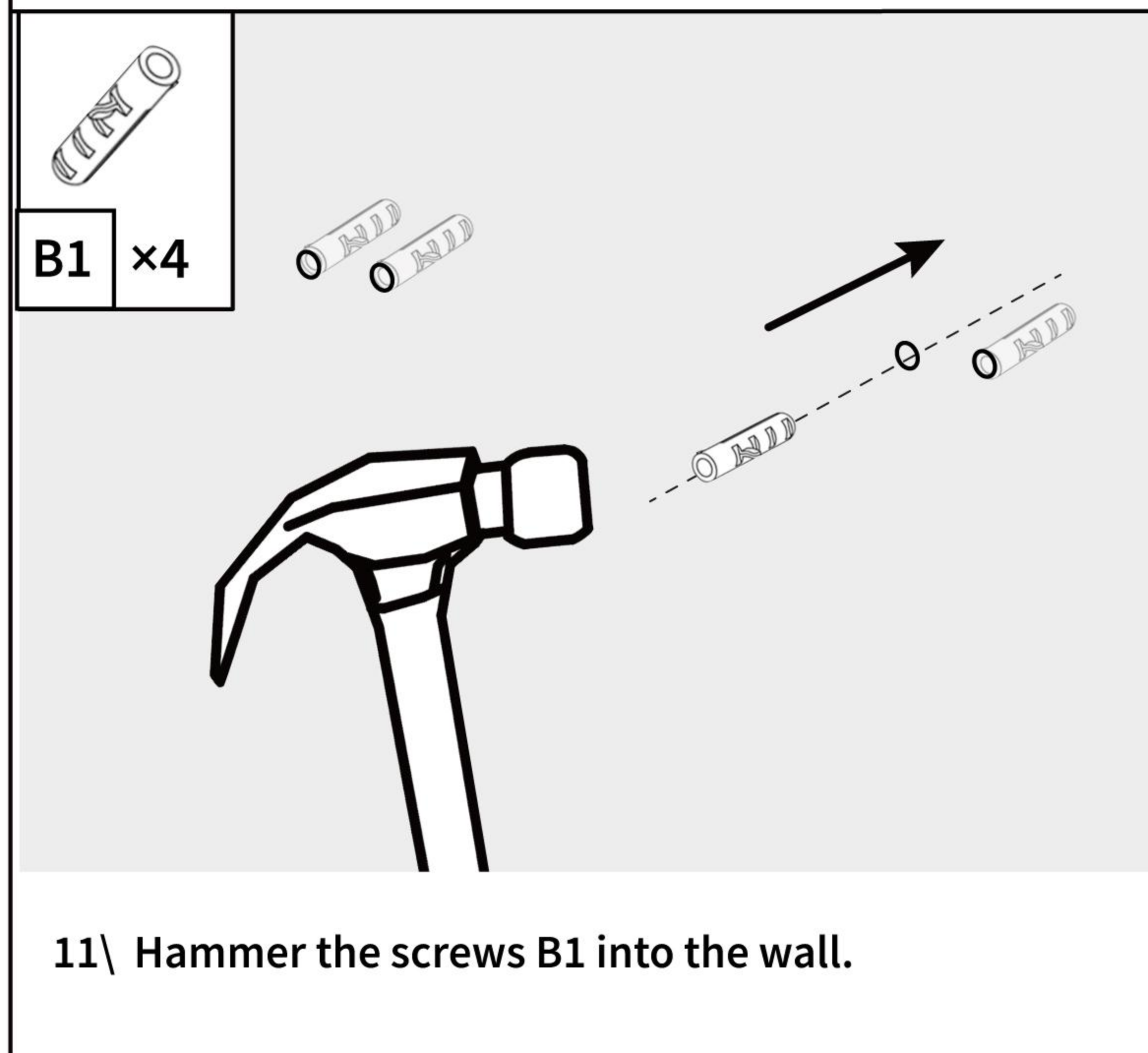
12\ Use screws B2 to fix the clips E1 on the wall.



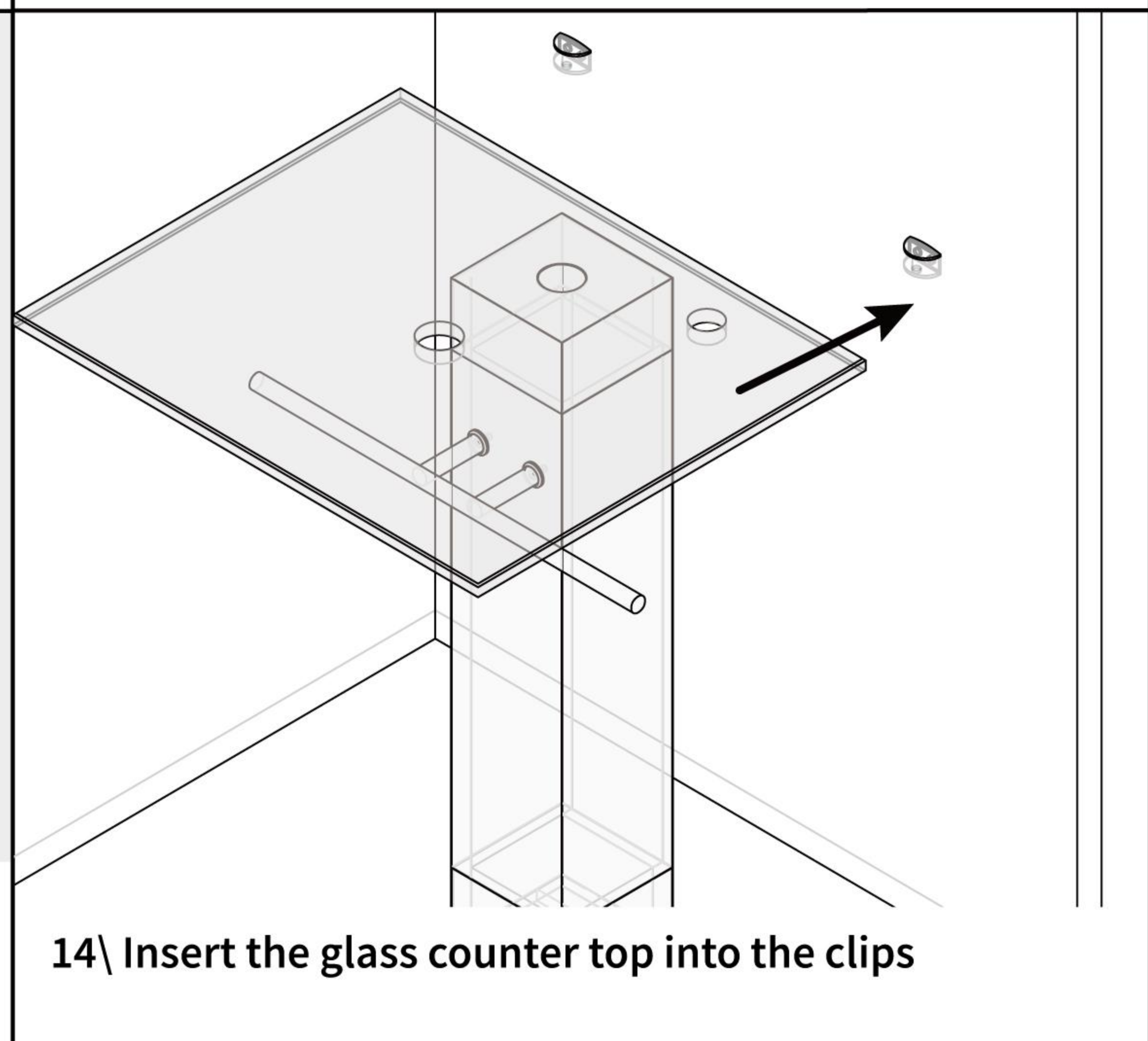
10\ Drill holes in the places marked before.



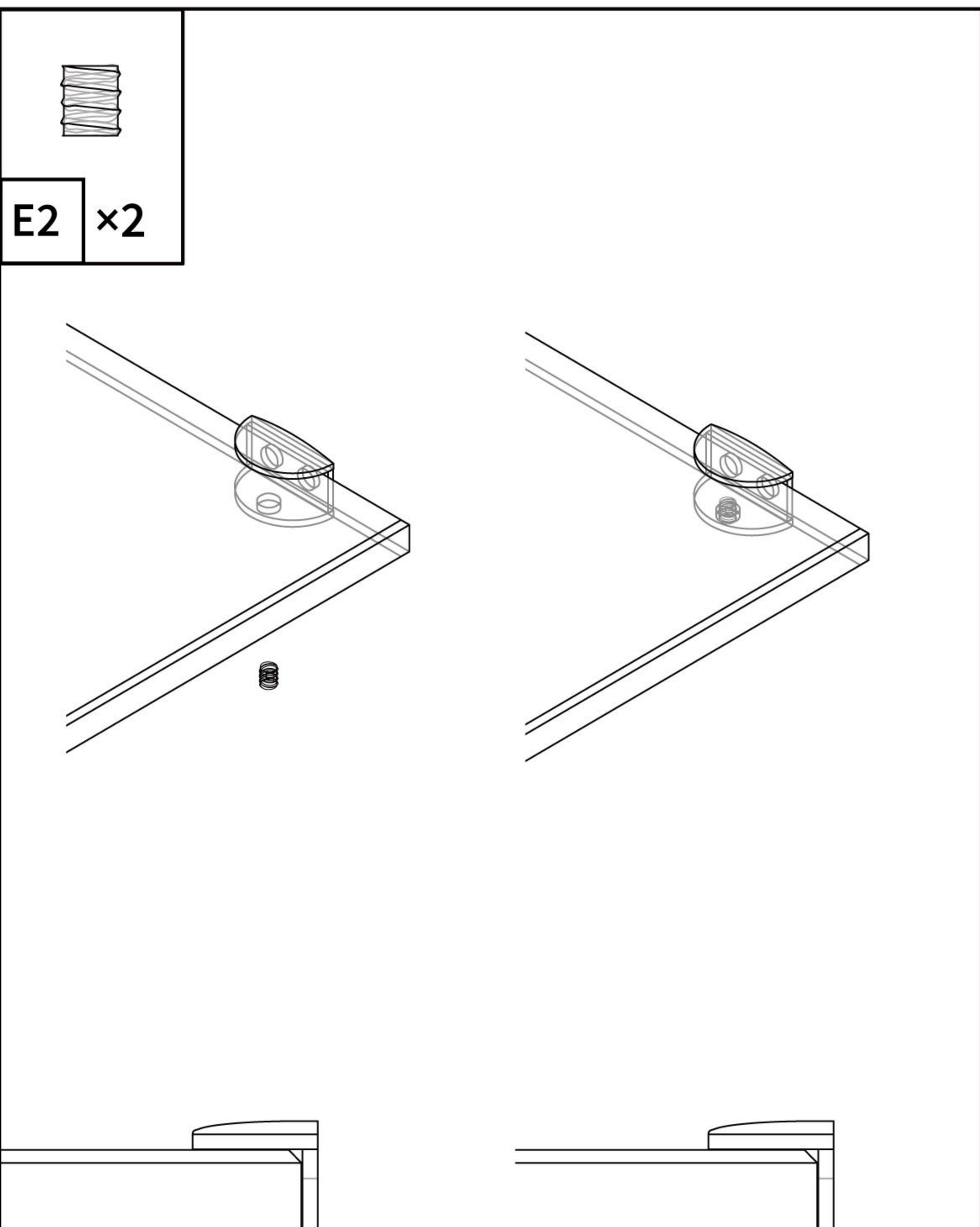
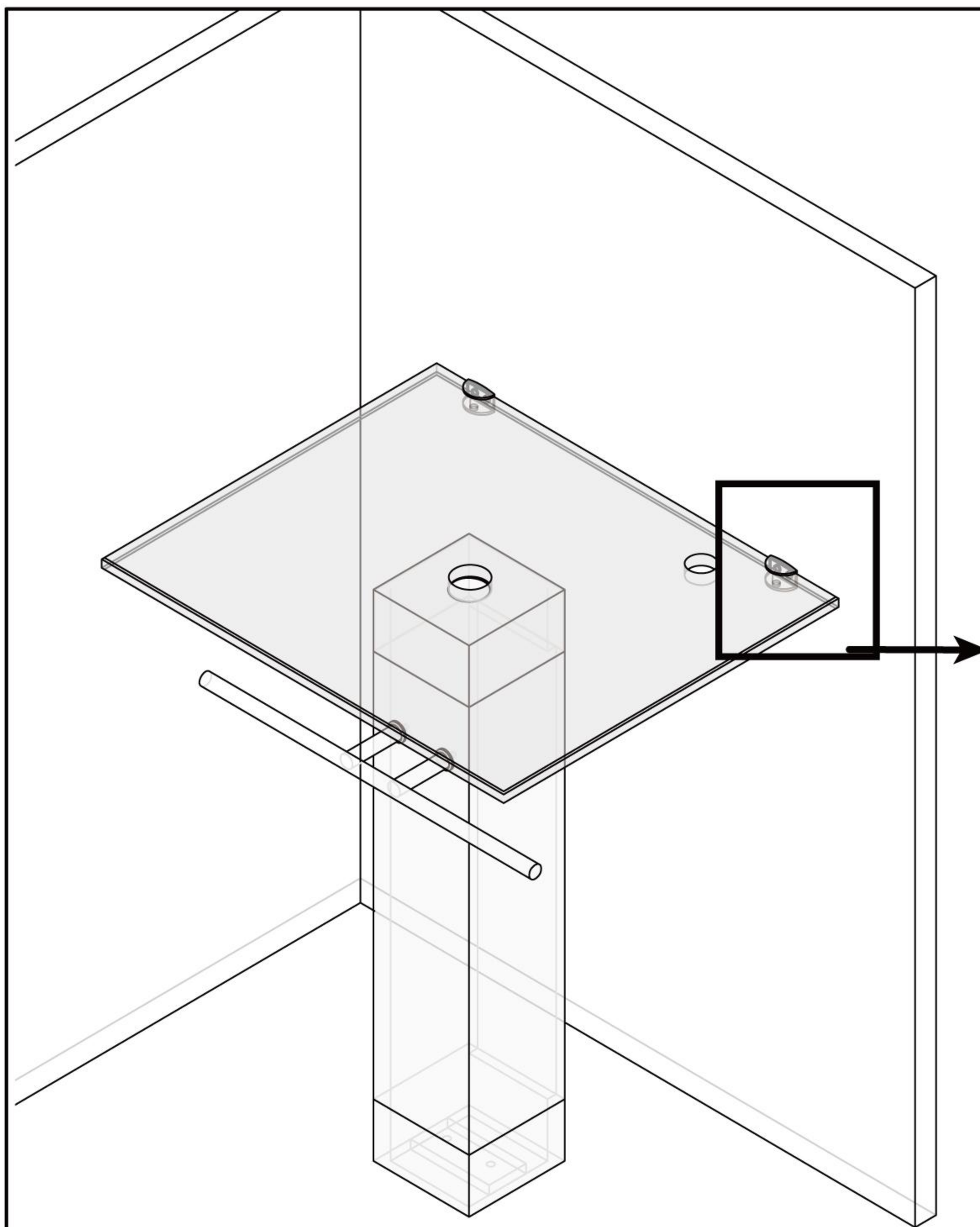
13\ Peel off the film from the metal cap and foot.



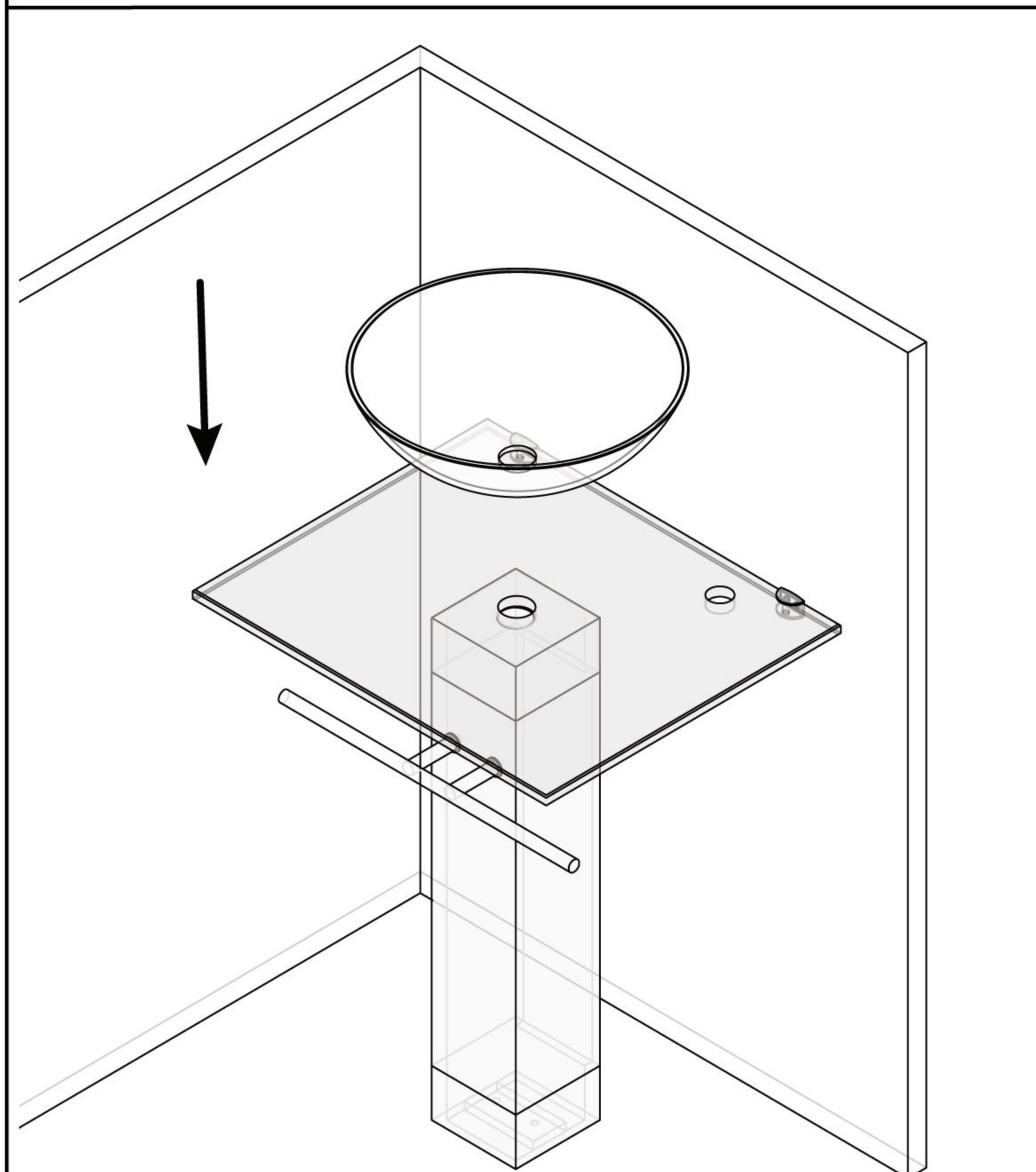
11\ Hammer the screws B1 into the wall.



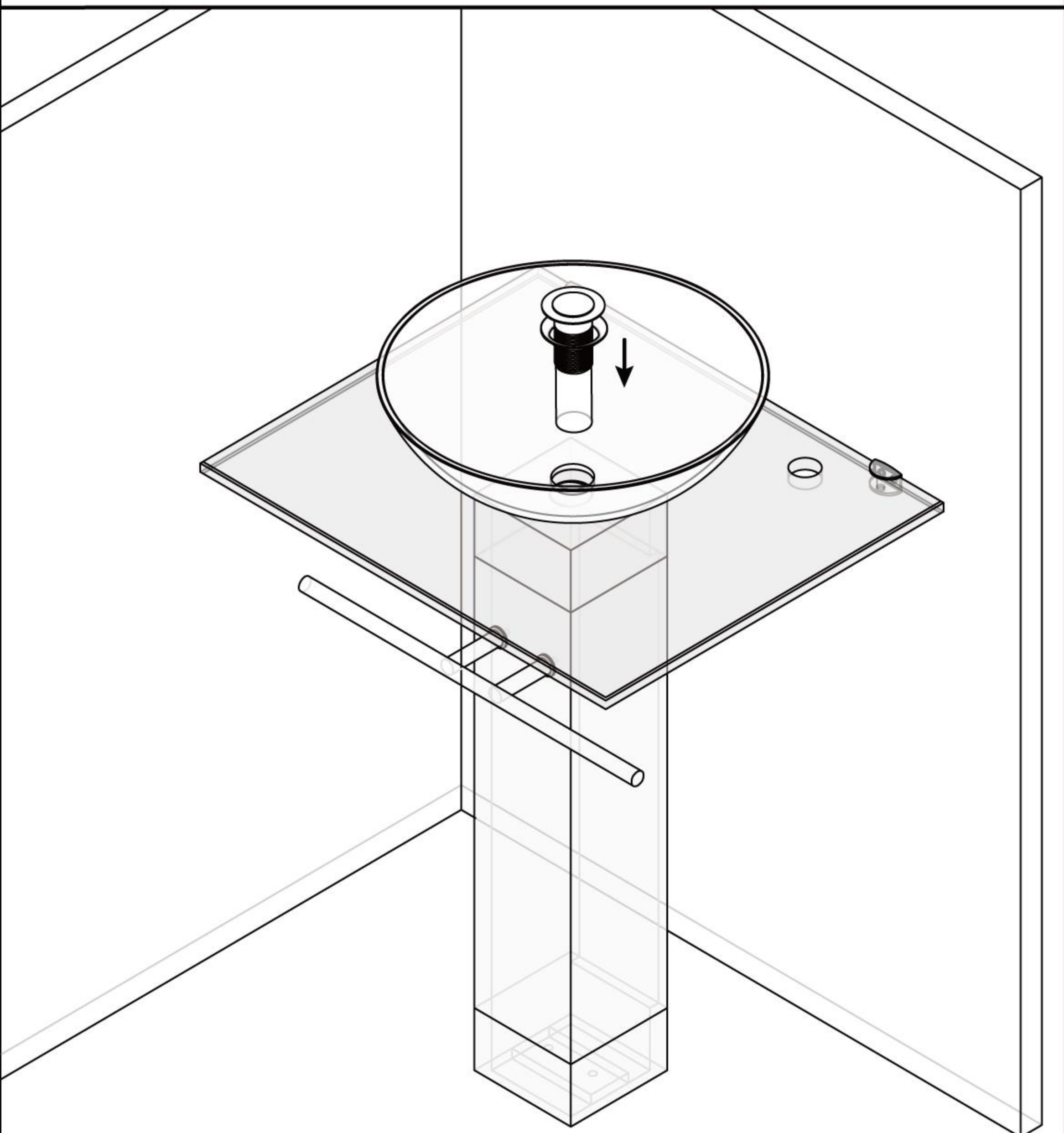
14\ Insert the glass counter top into the clips



15\ Fix the counter top by screws E2 from below, tighten them by screws driver. Please refer to the instruction on the right

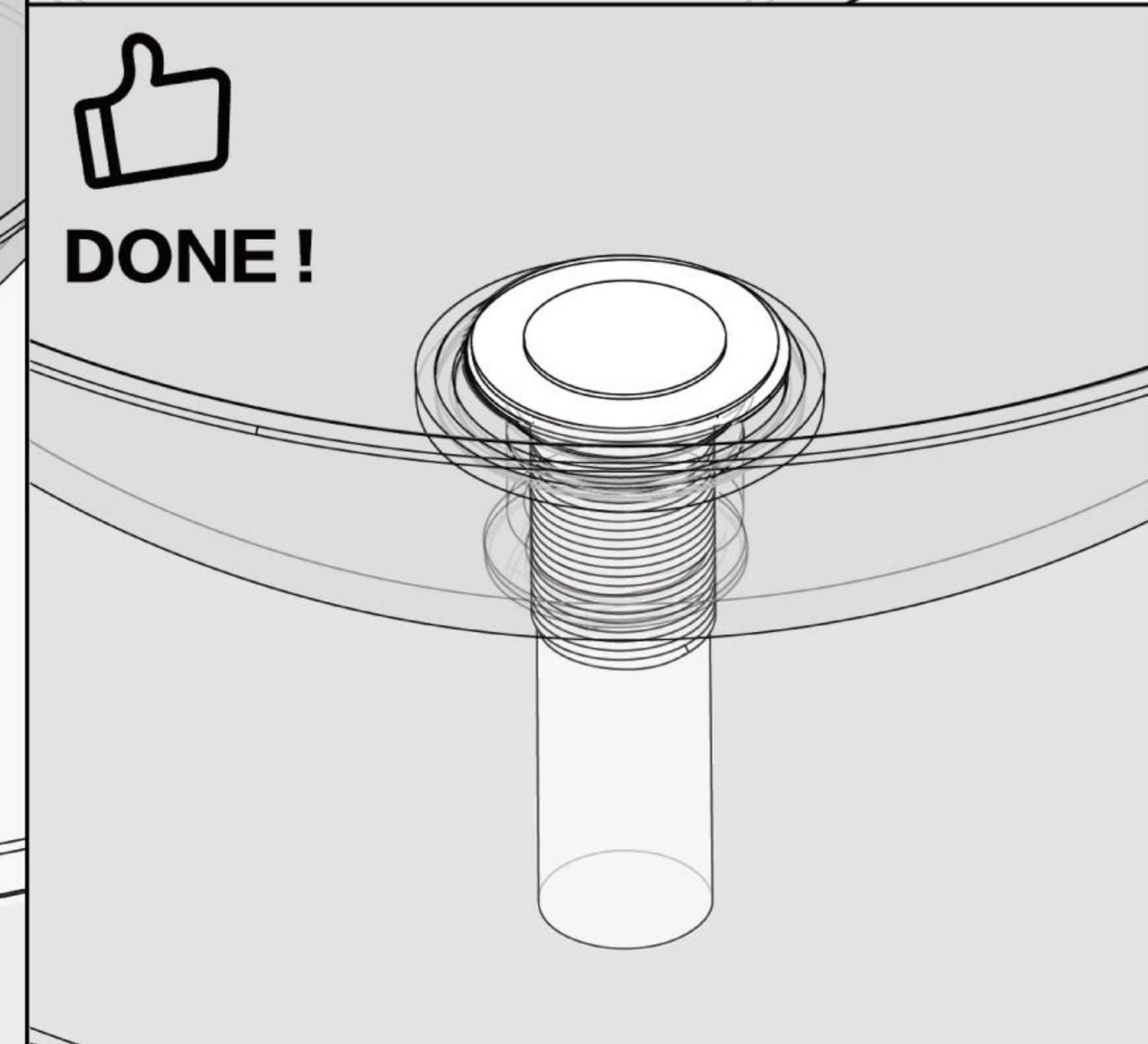
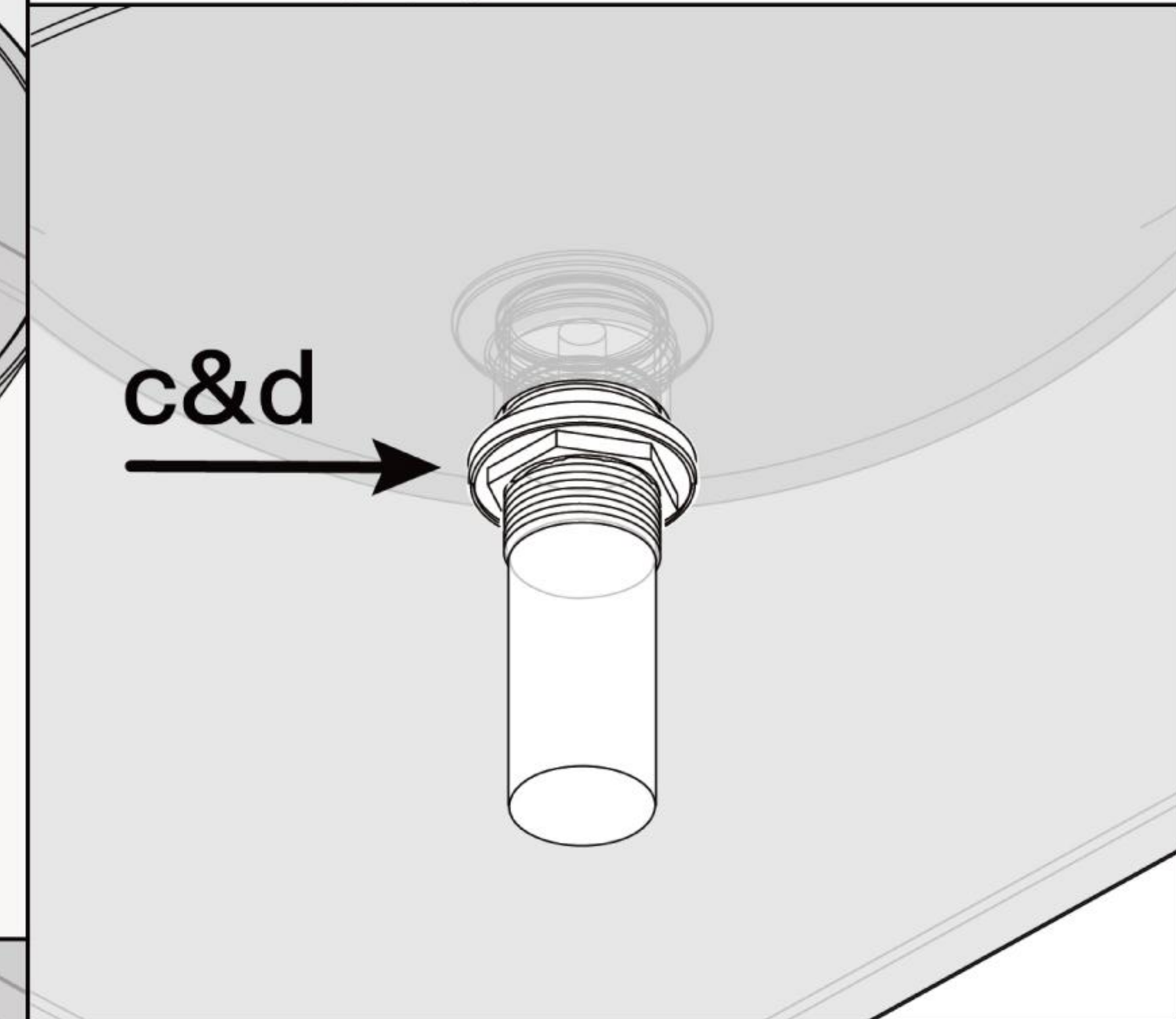
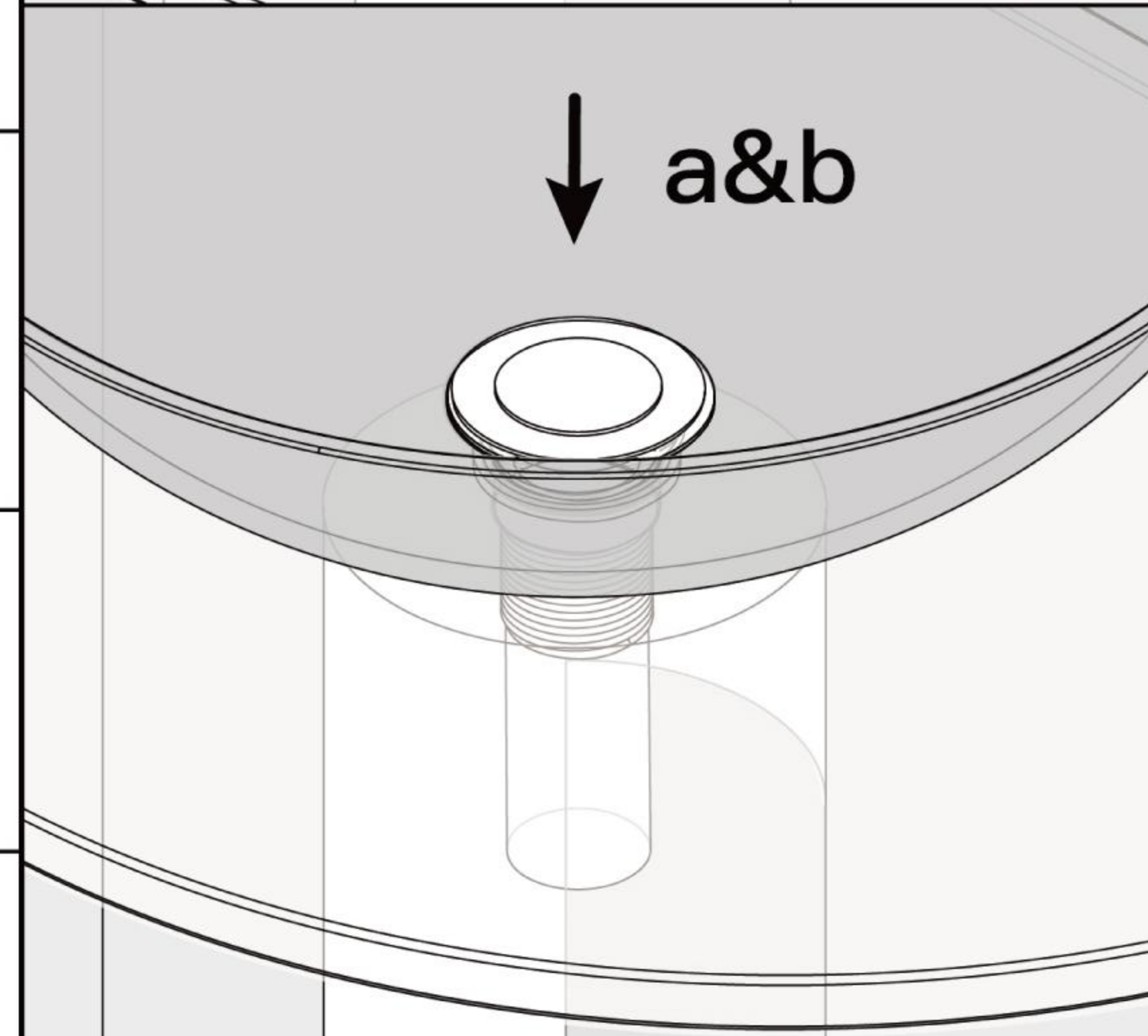
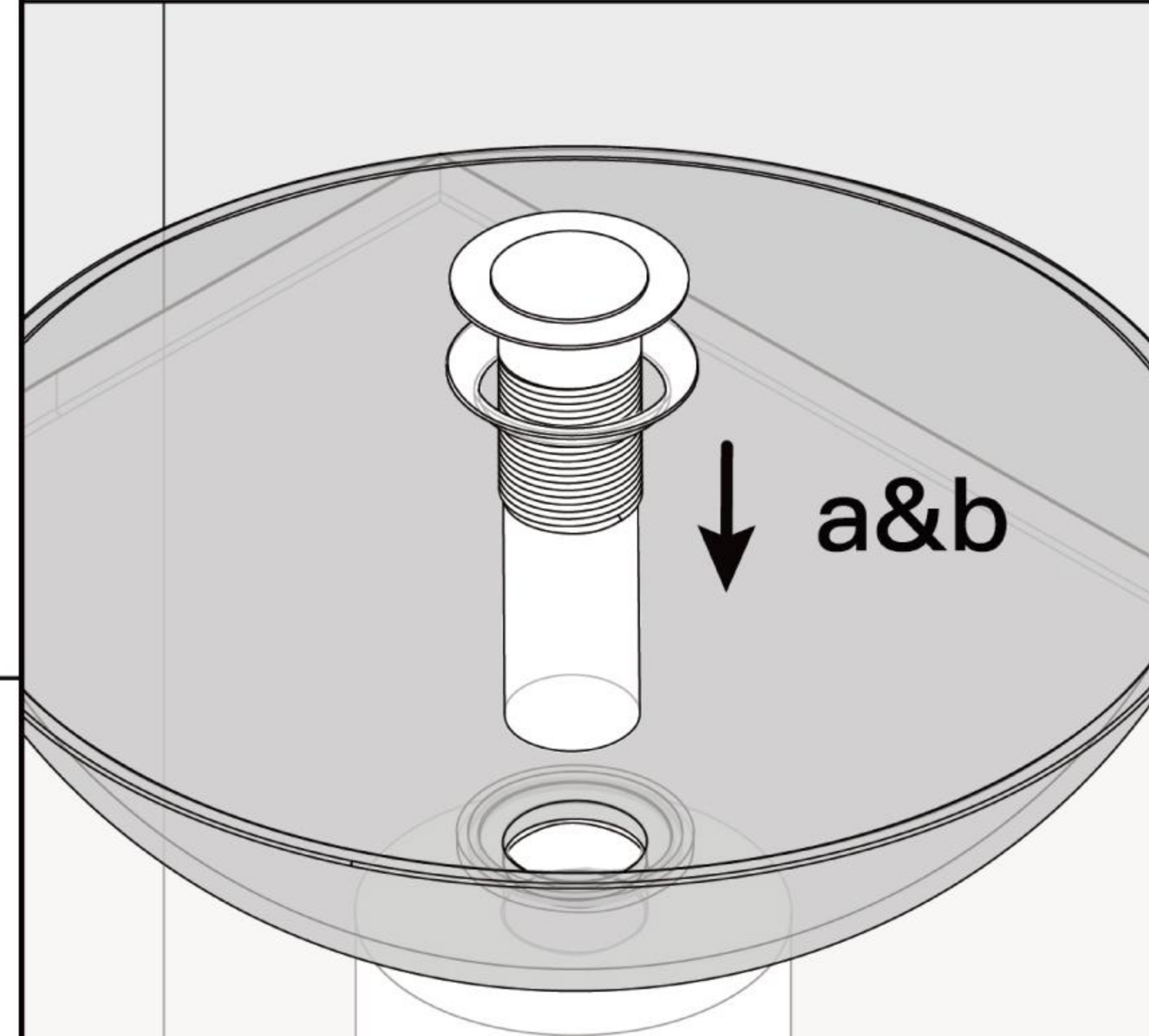
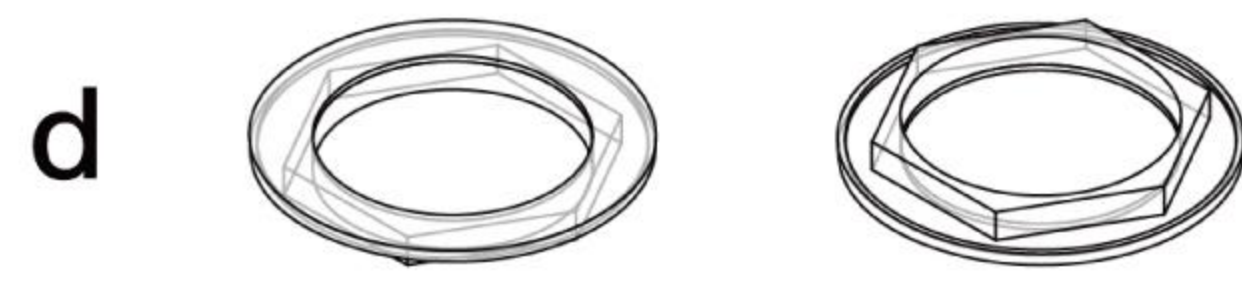
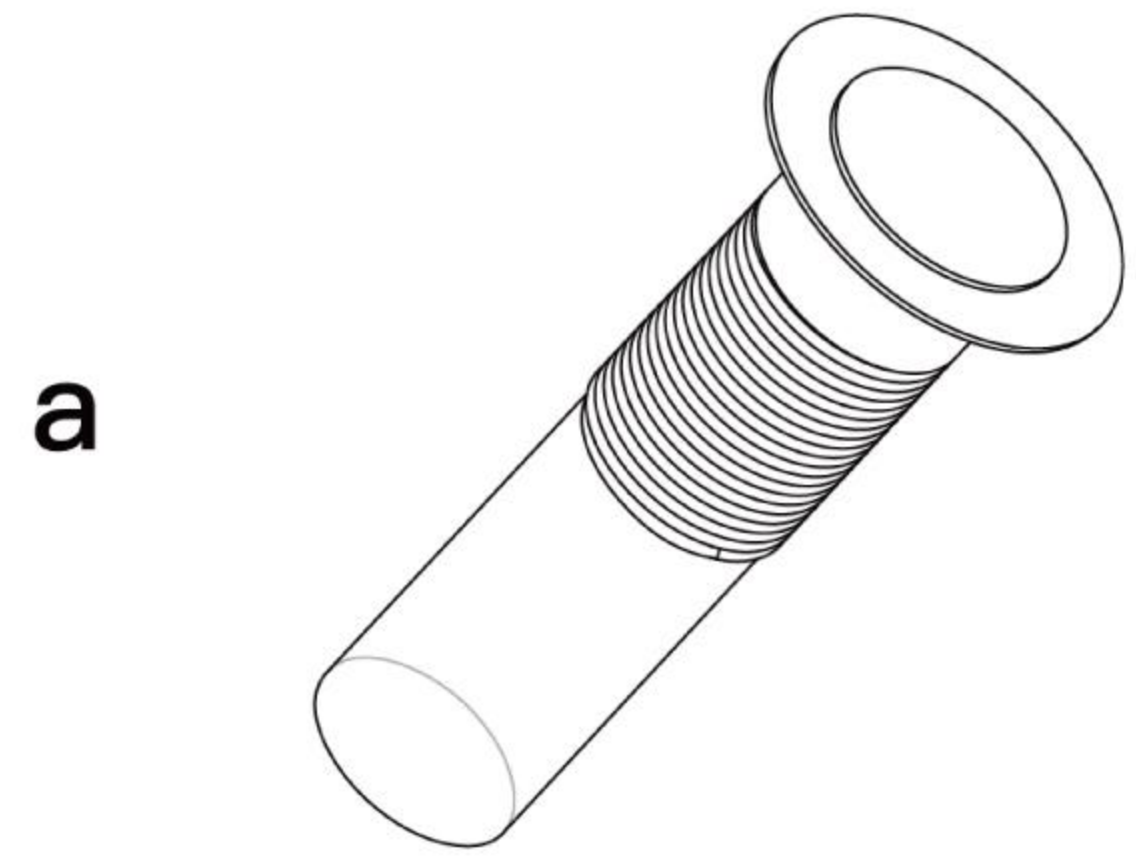
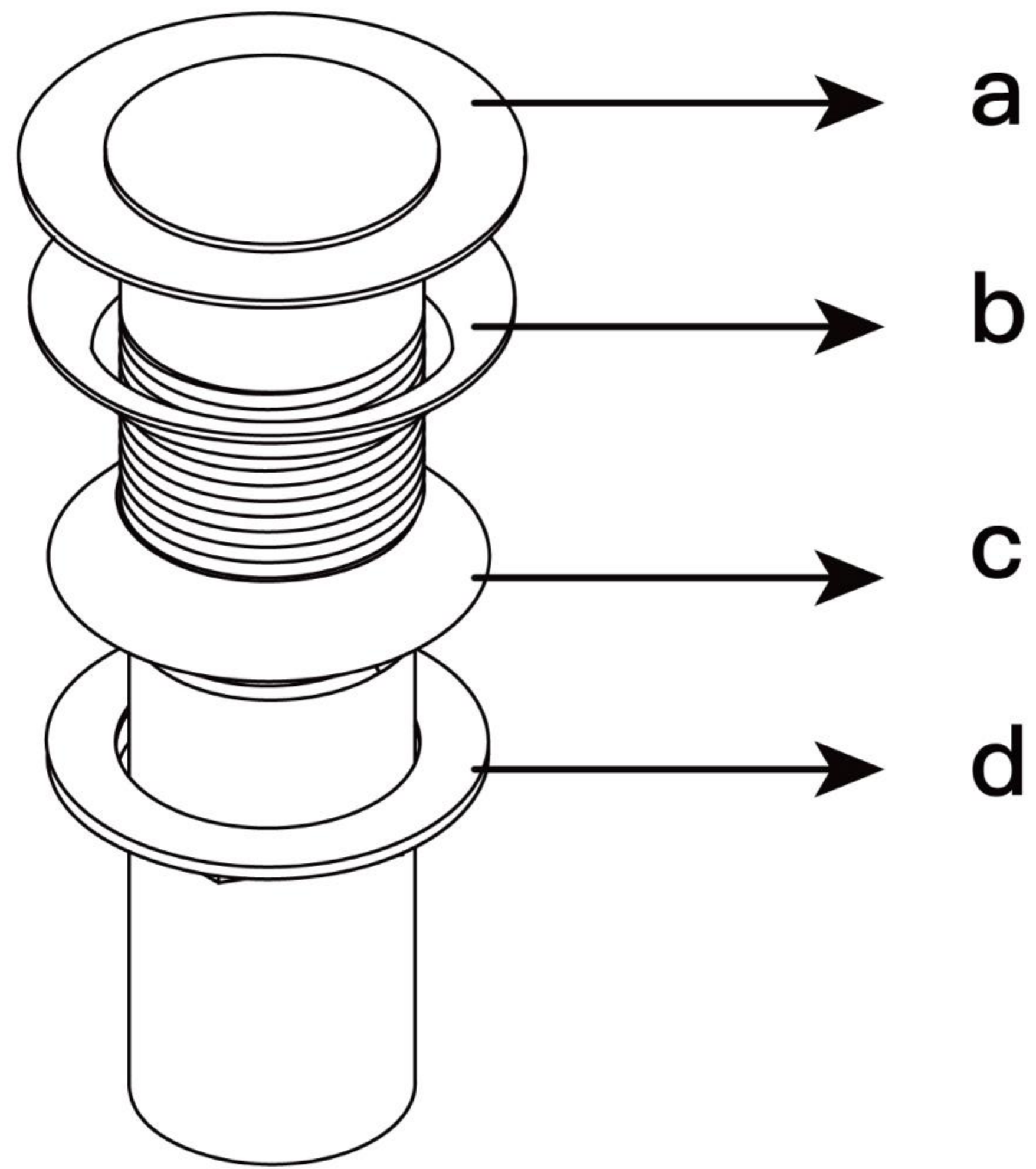
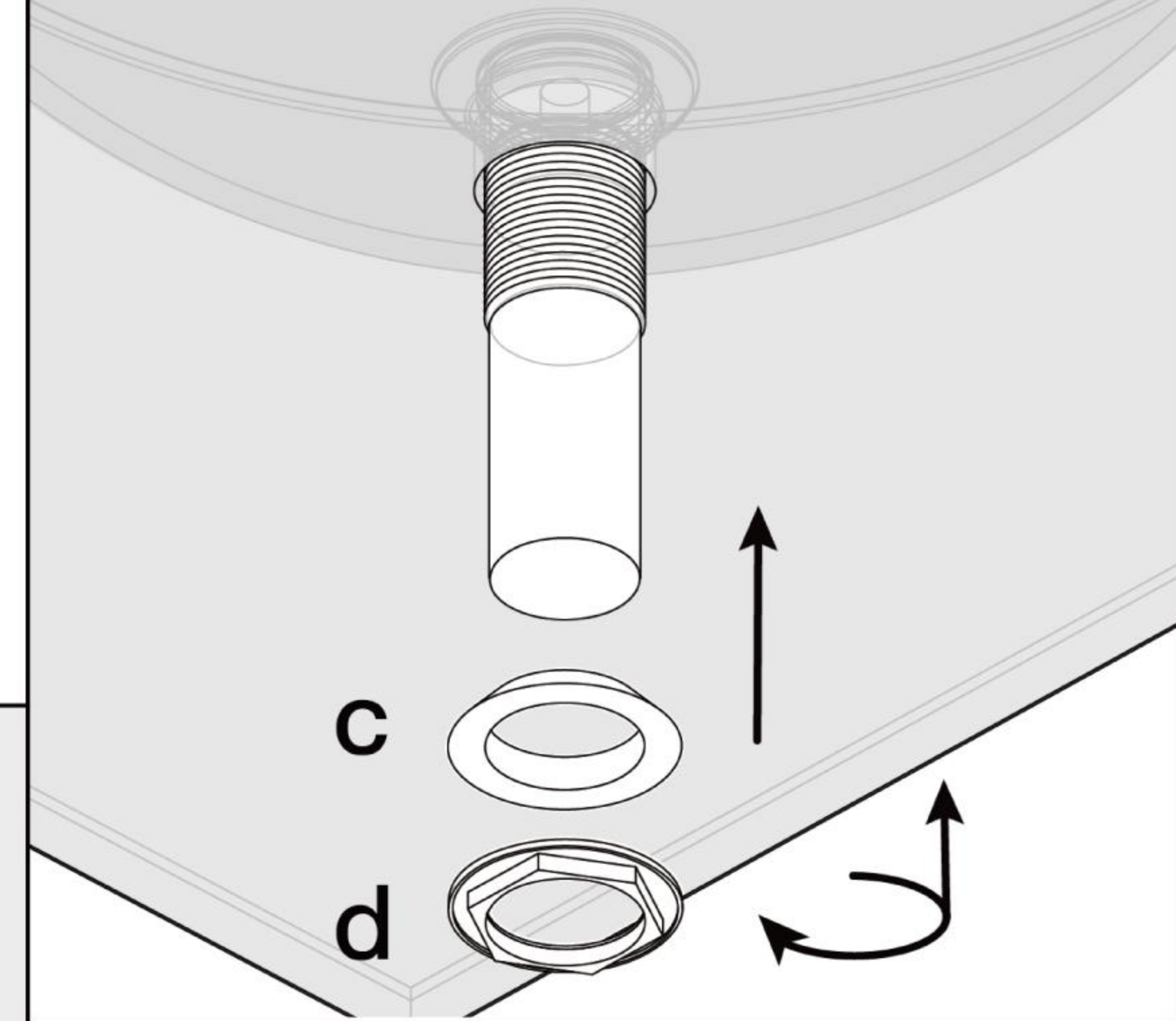
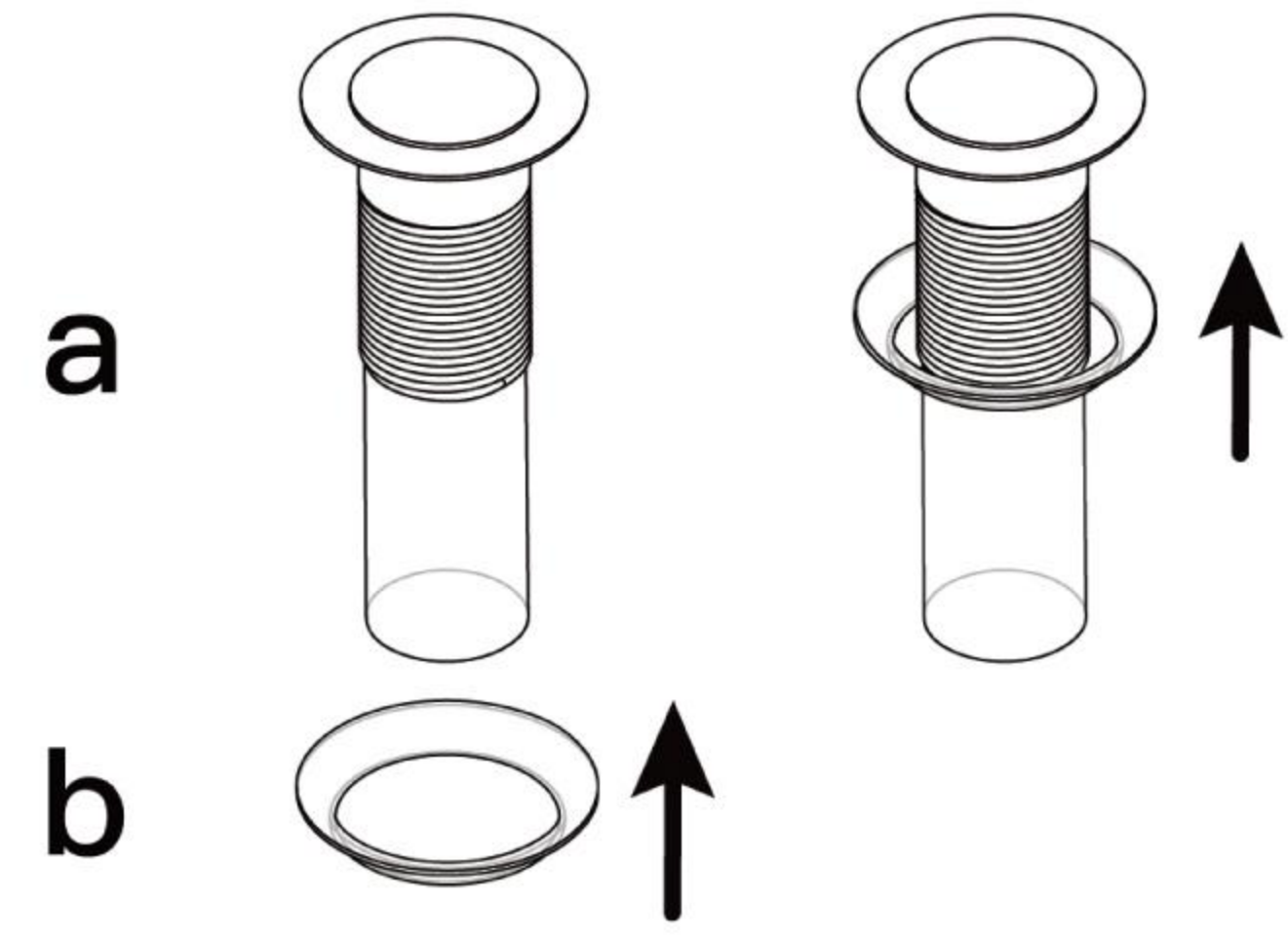
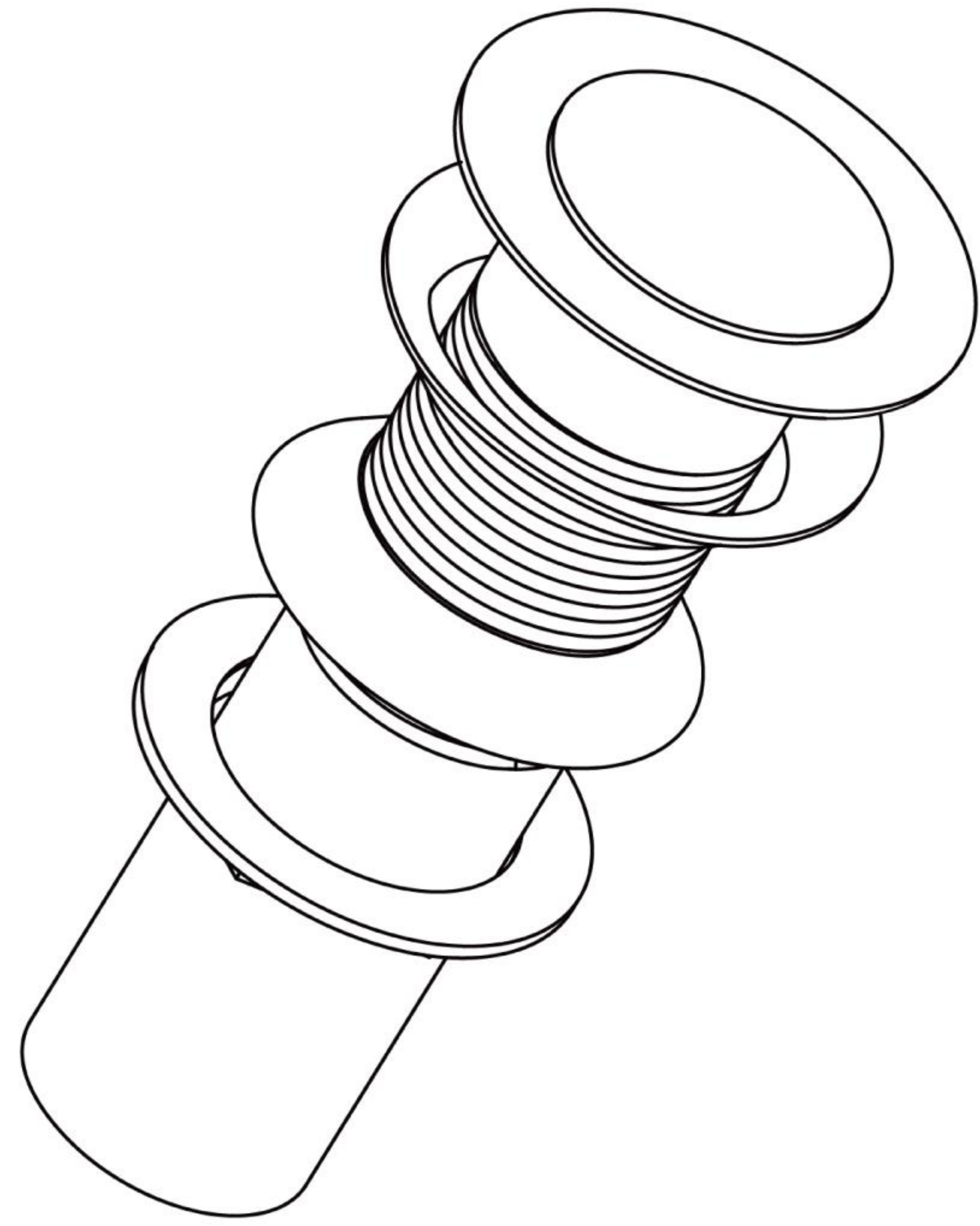


16\ Gently place the sink on the top.

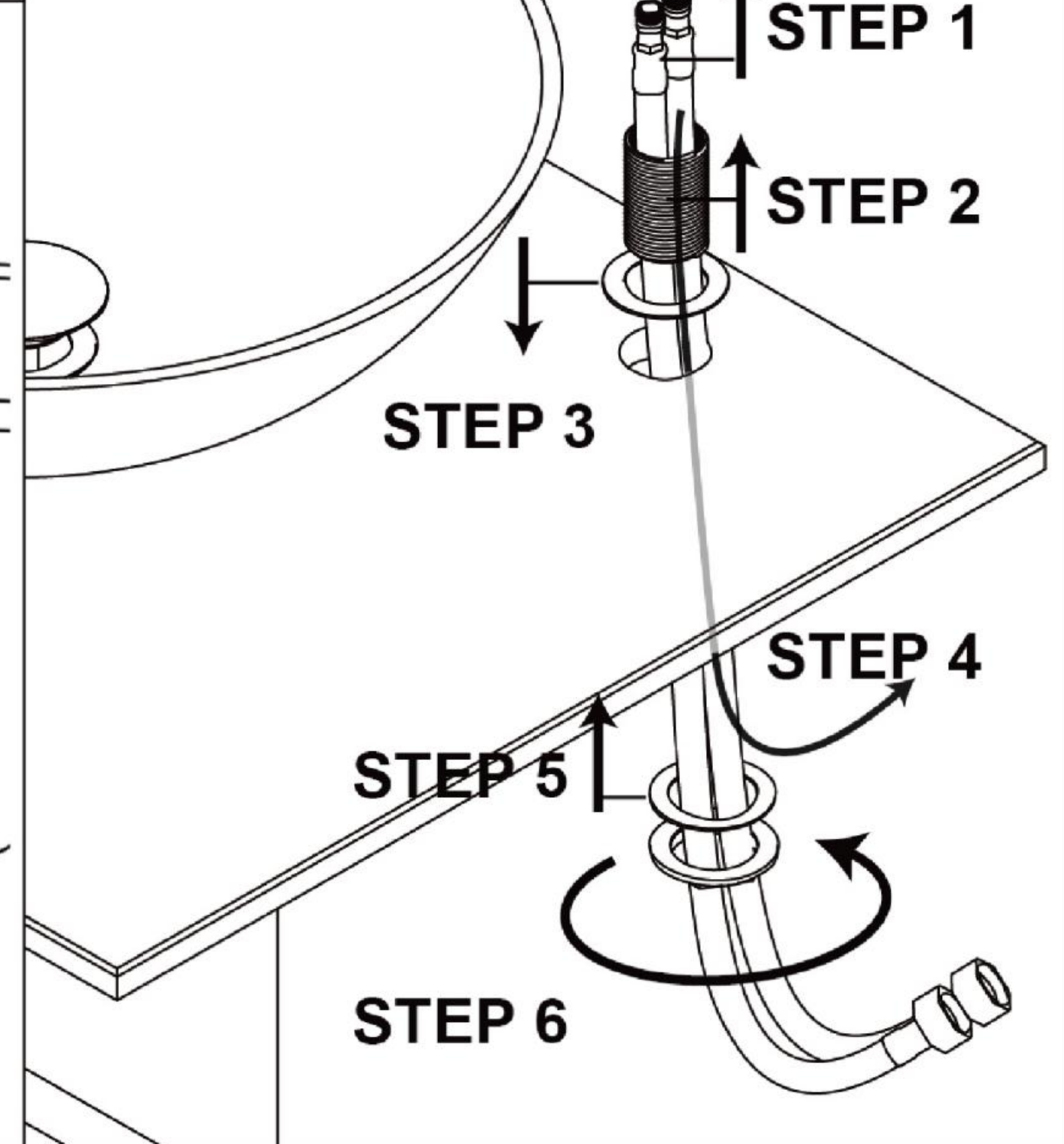
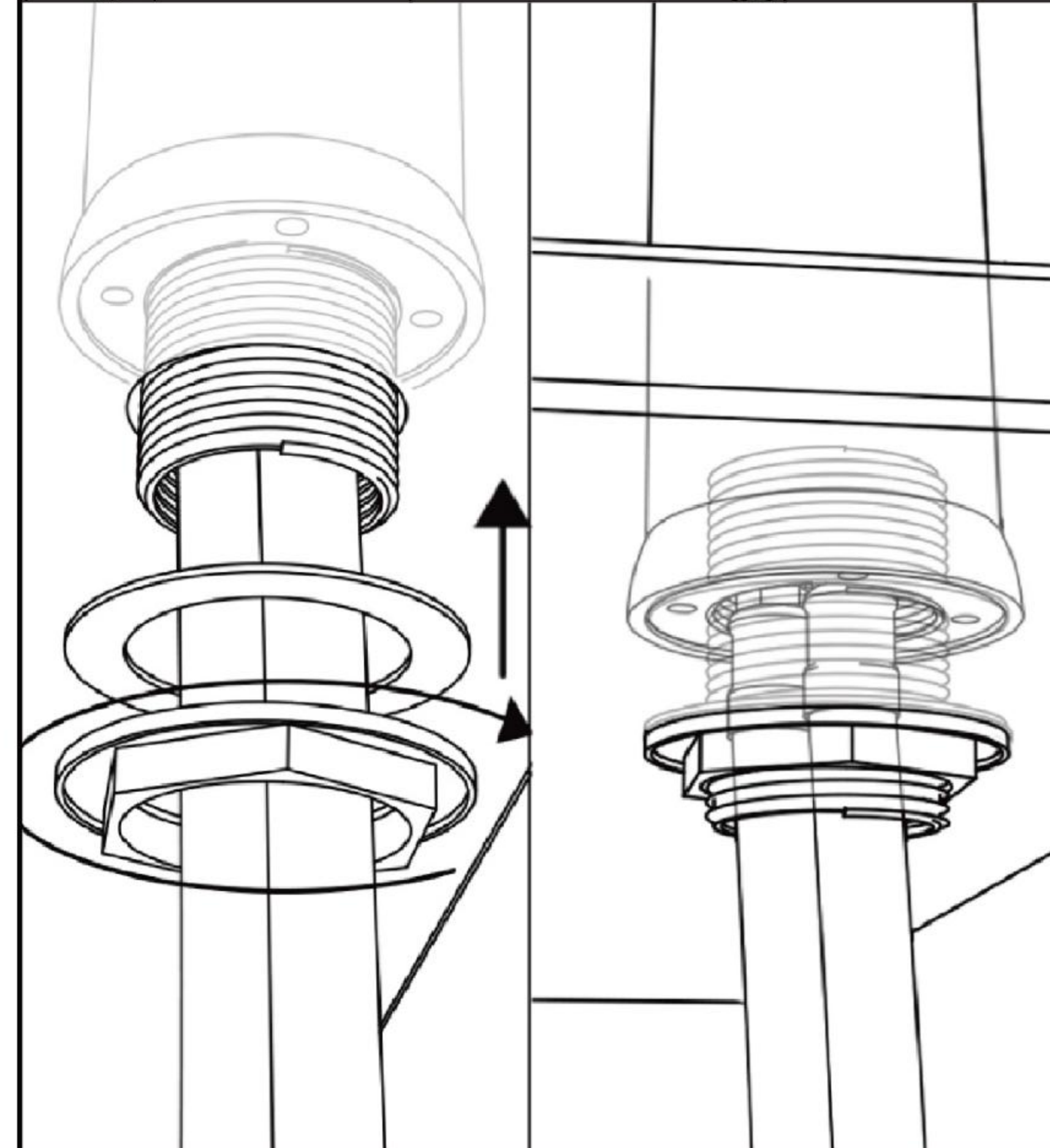
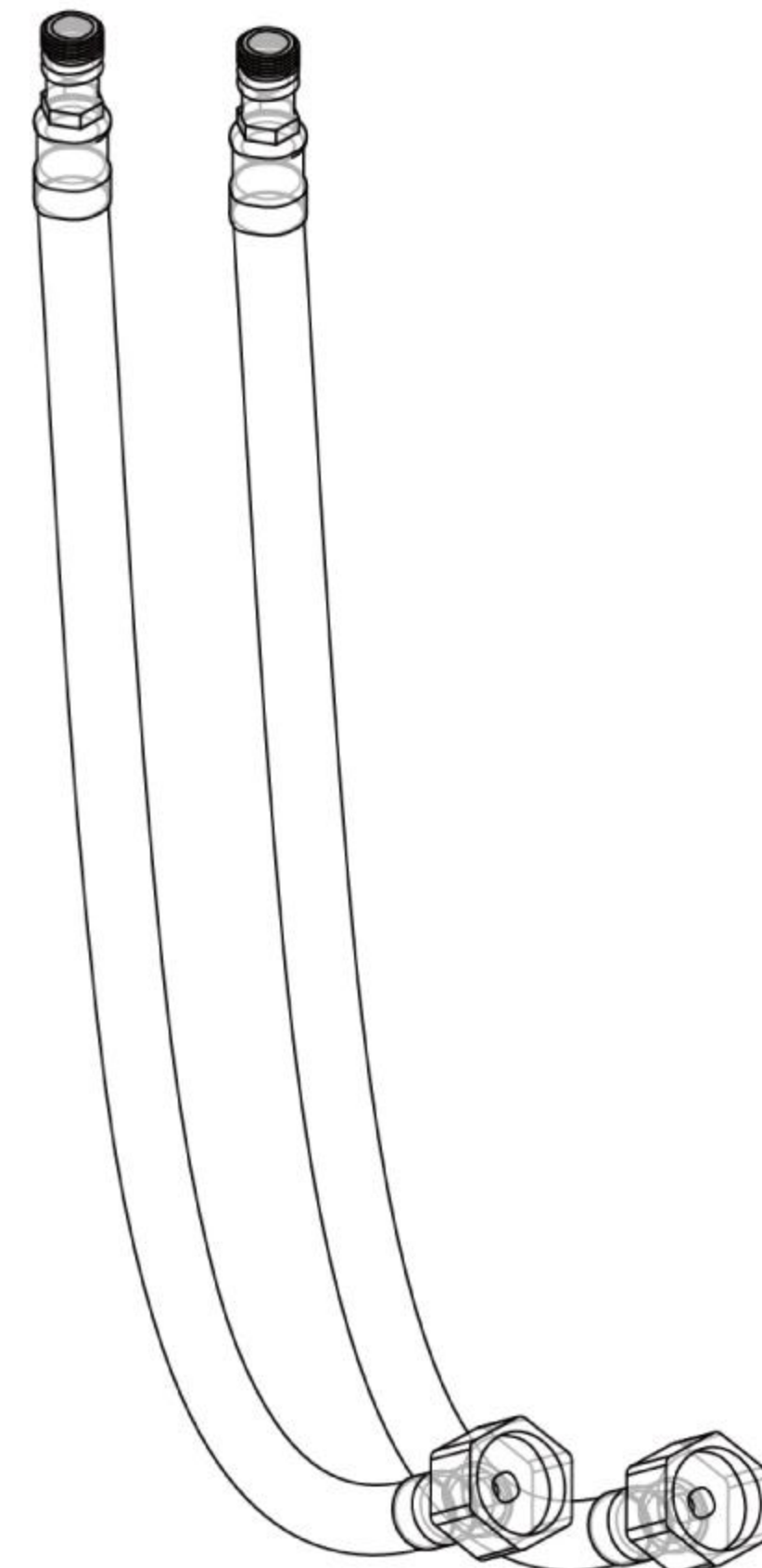
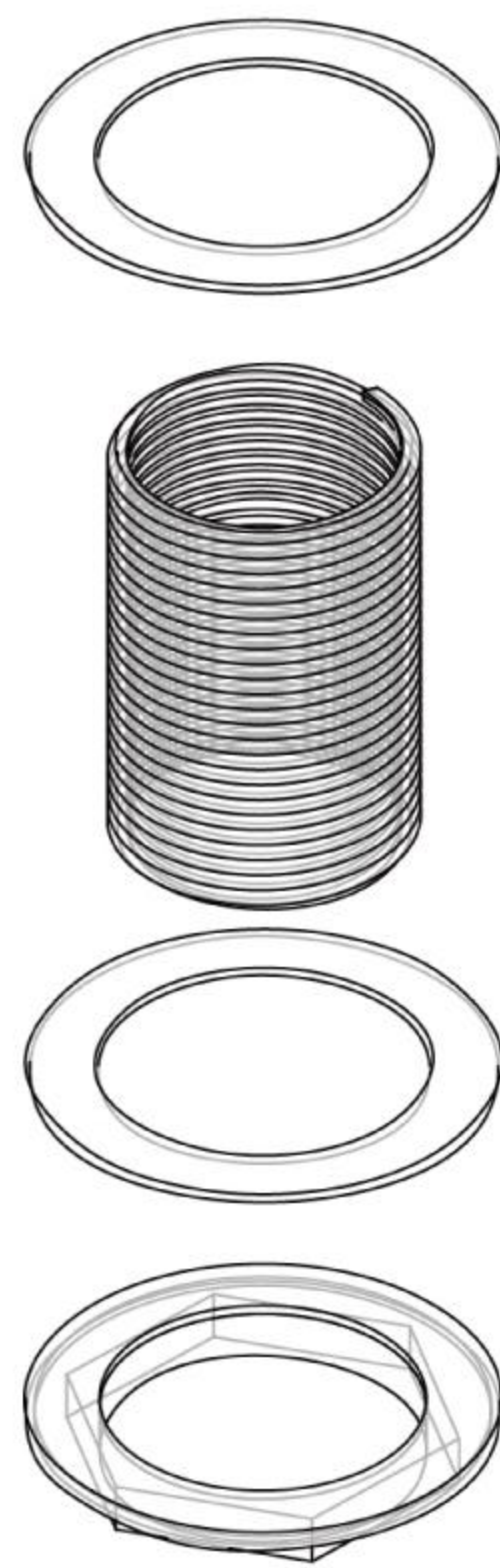
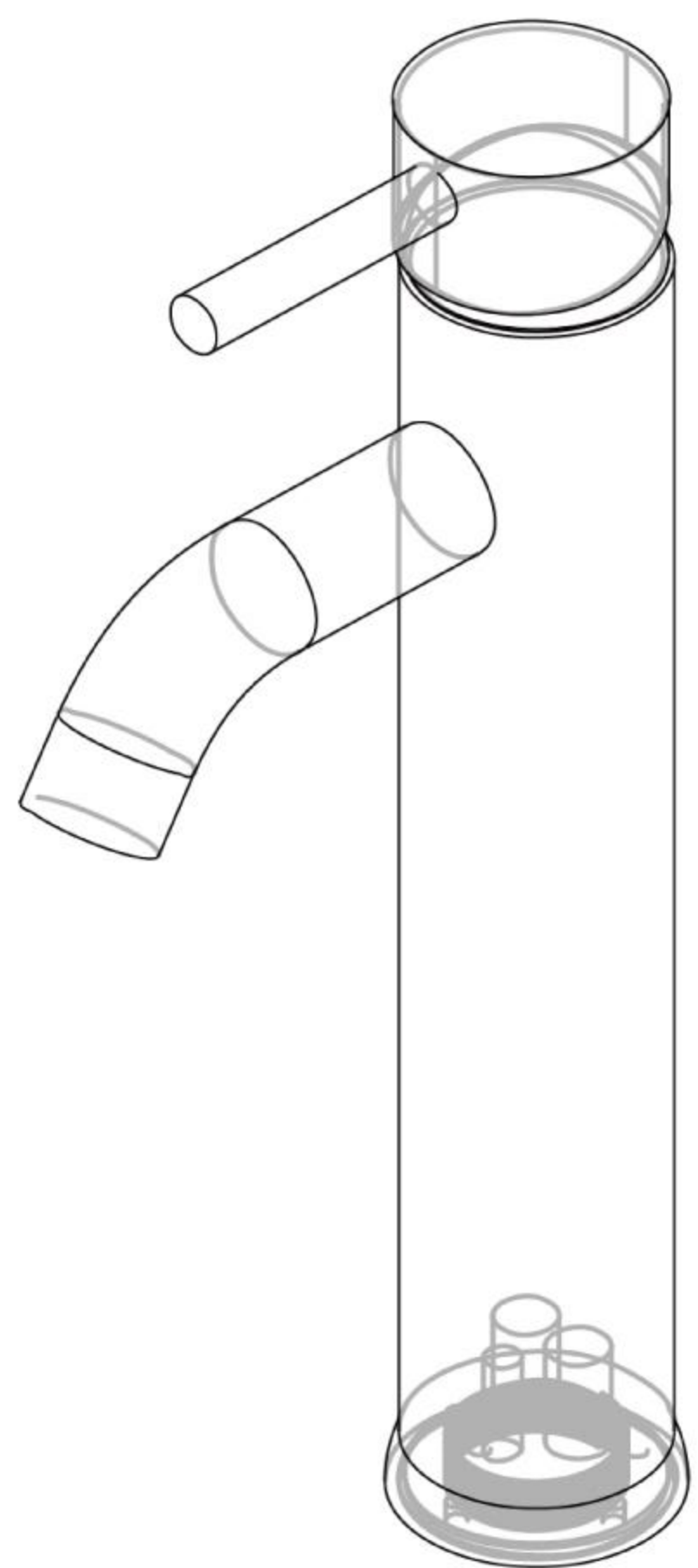
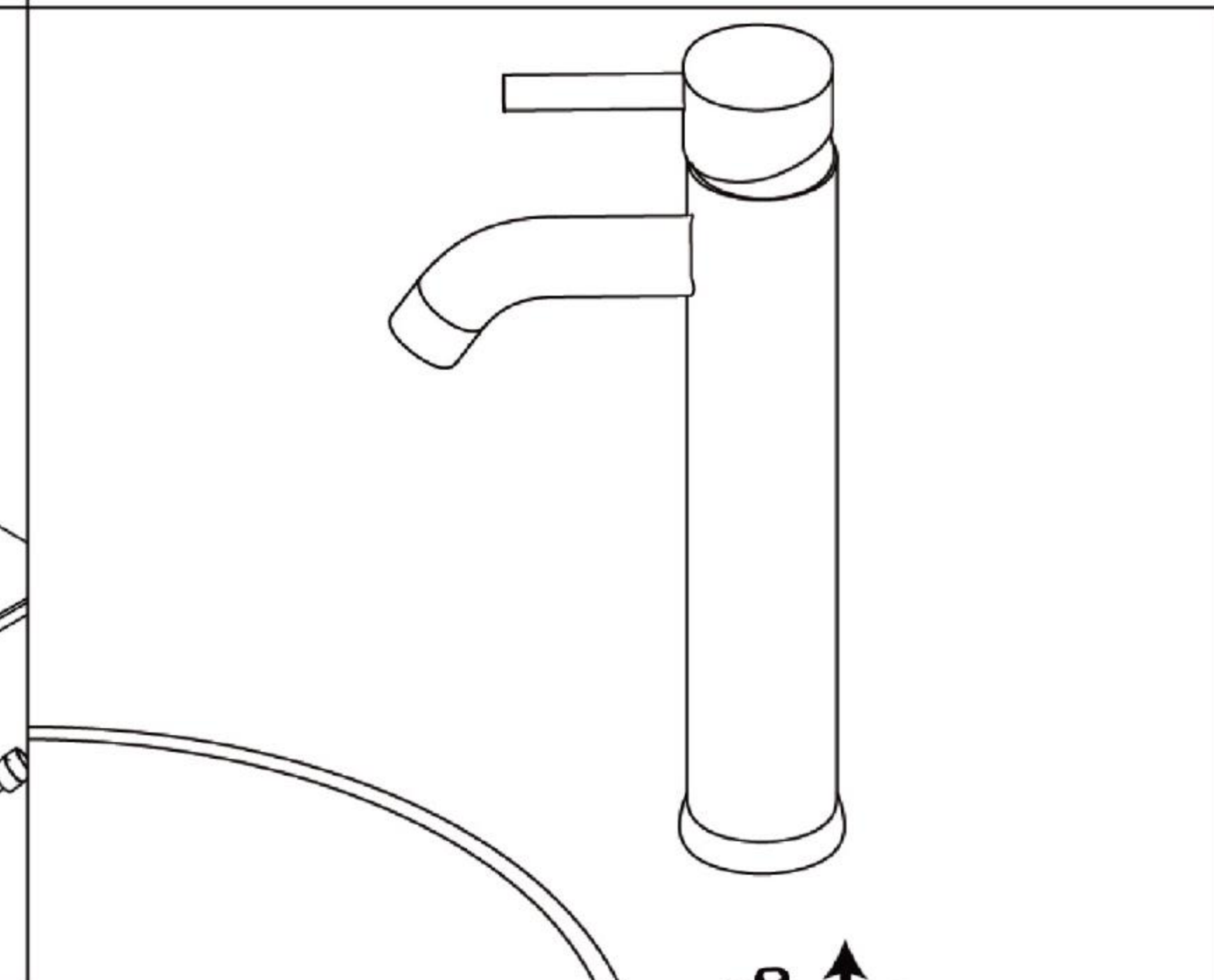
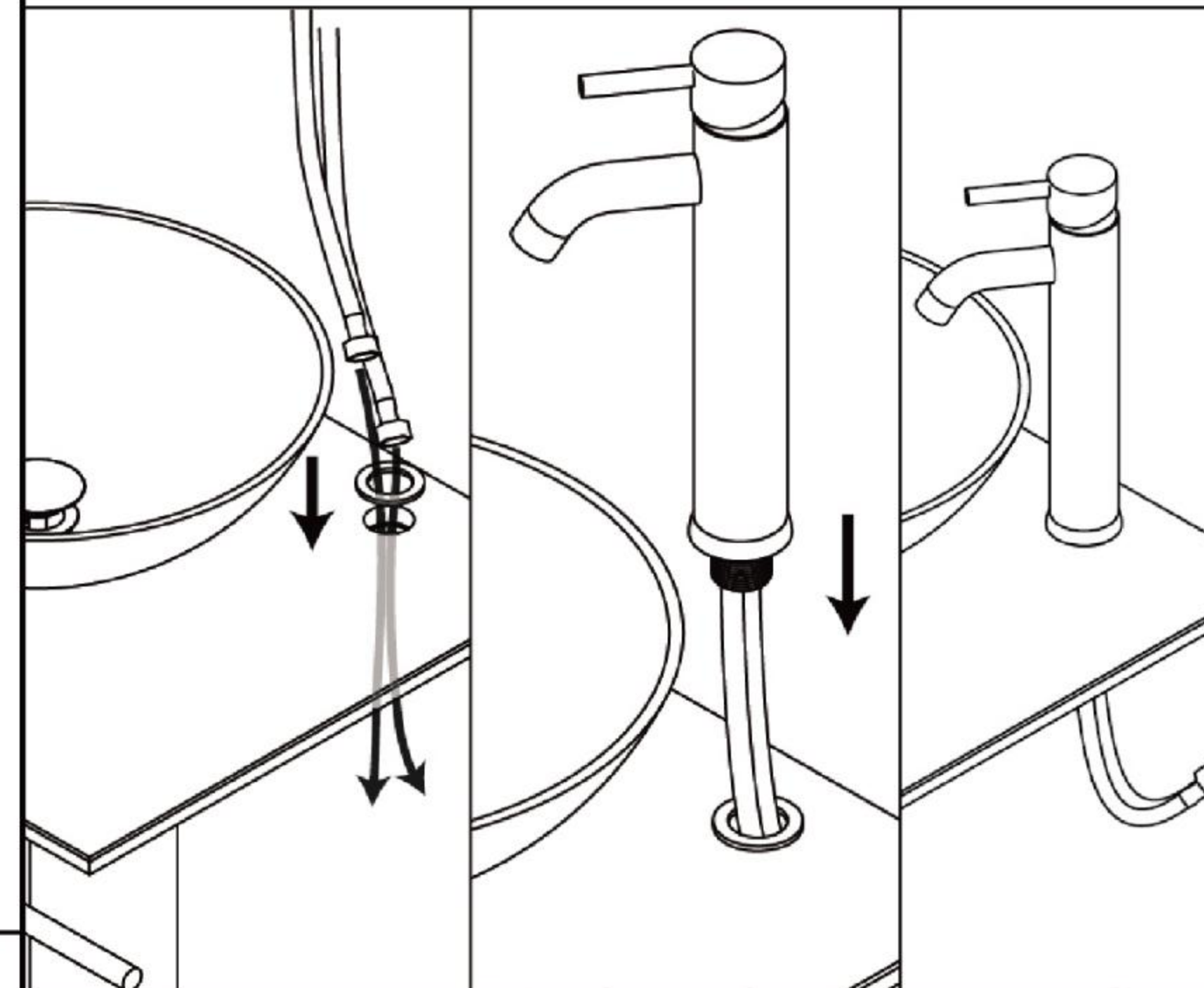
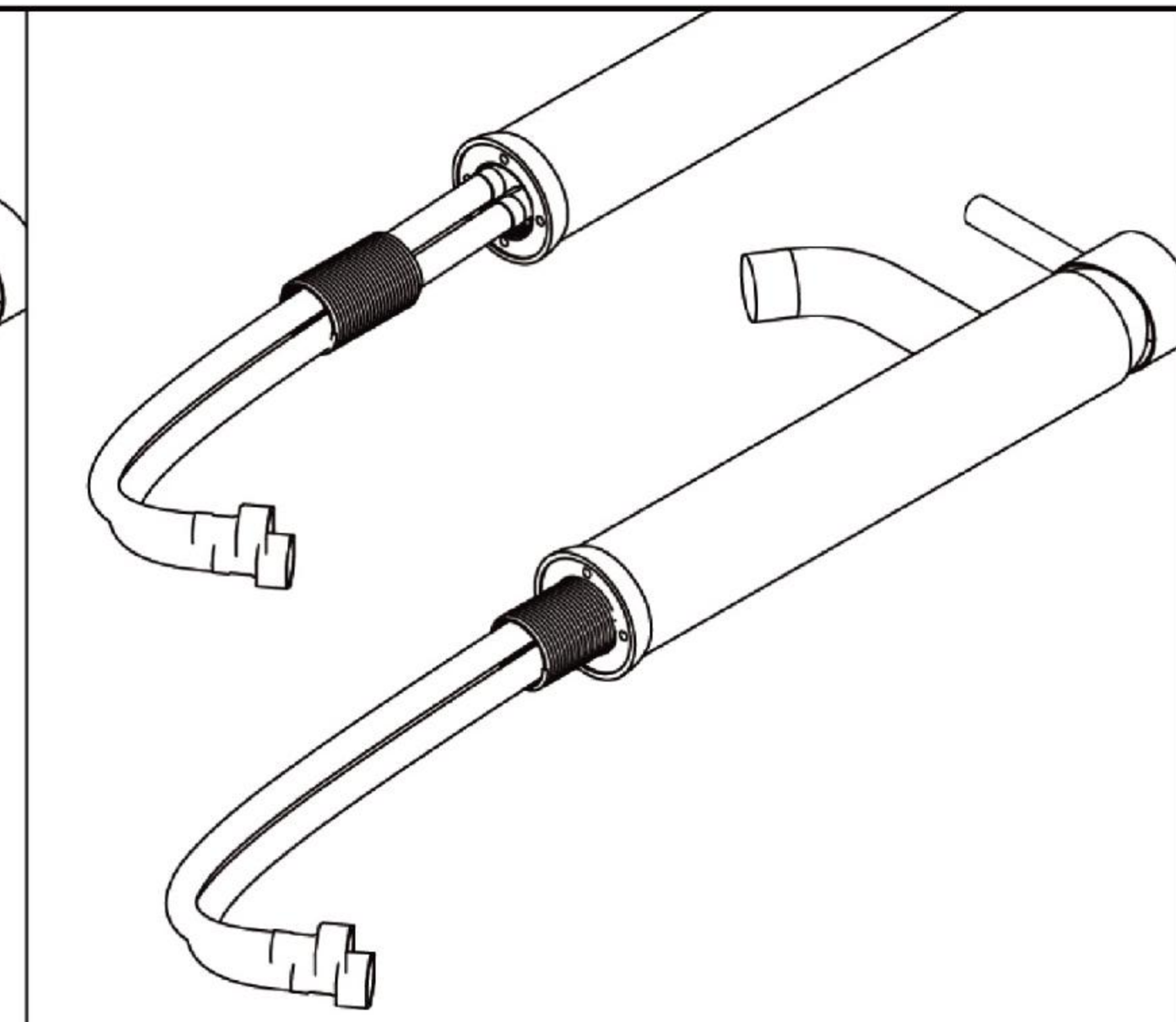
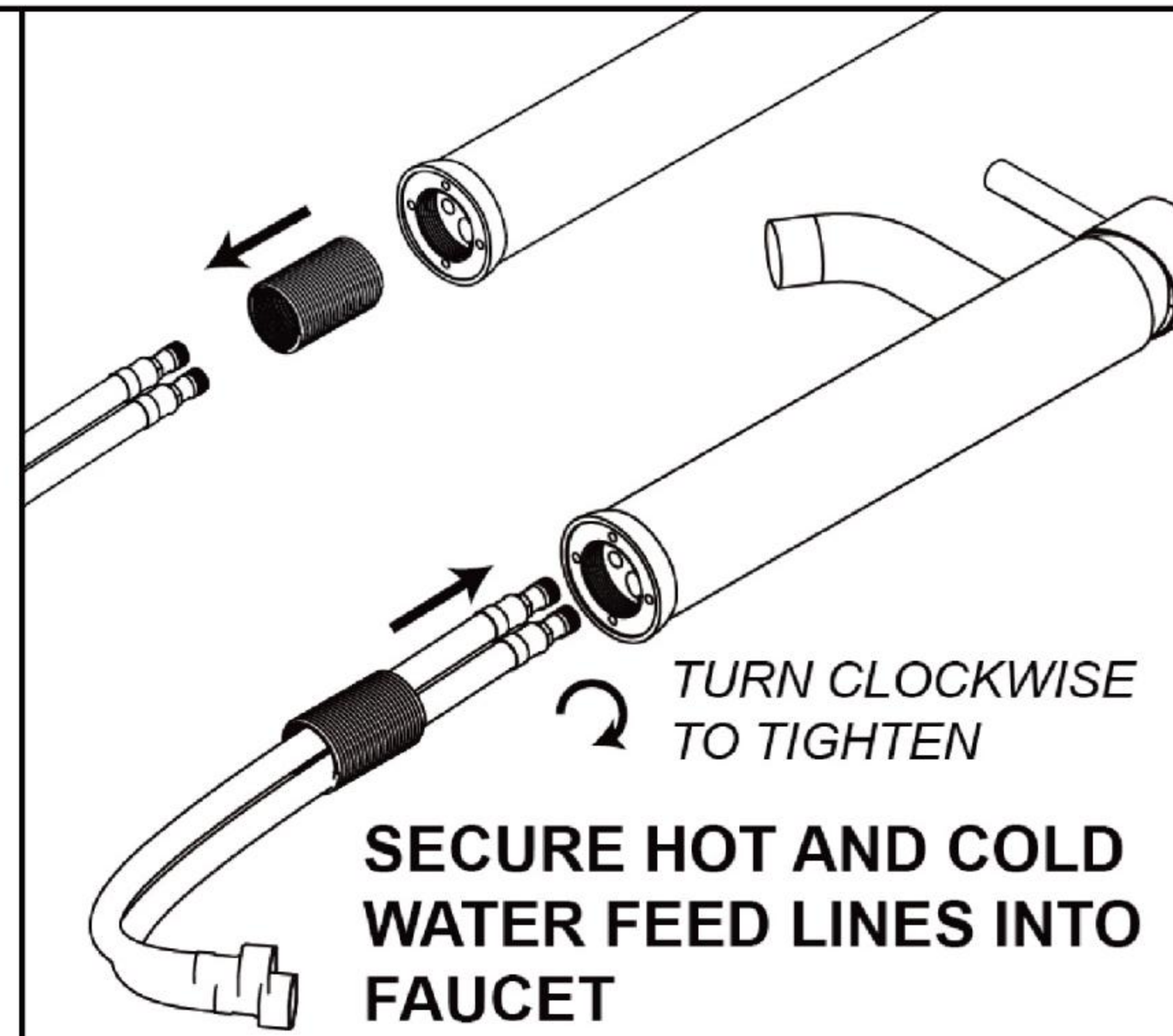
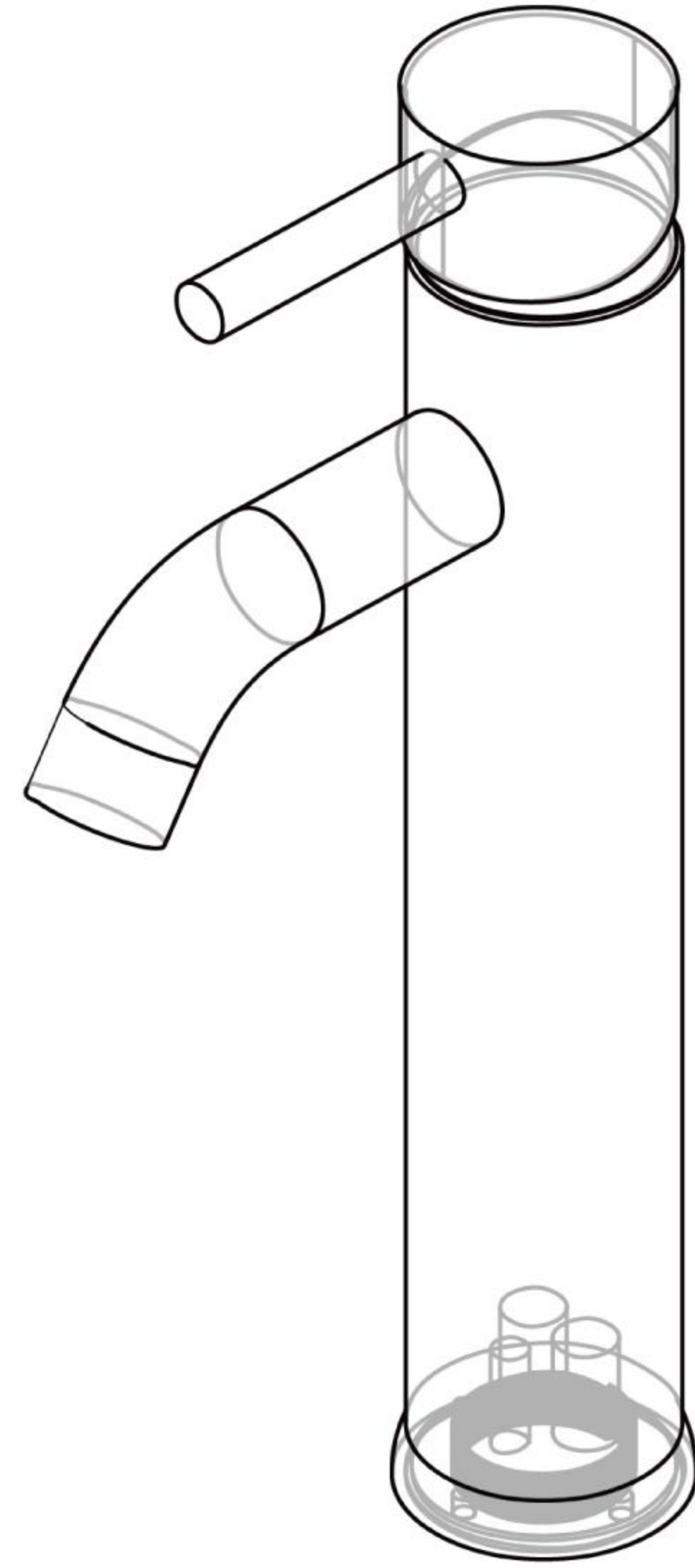


17\ Use pop-up drain to fix the sink, glass counter top and pedestal together. Please skip to HOW TO INSTALL THE DRAIN page

HOW TO INSTALL THE DRAIN



HOW TO INSTALL THE FAUCET



HOW TO INSTALL THE P-TRAP

