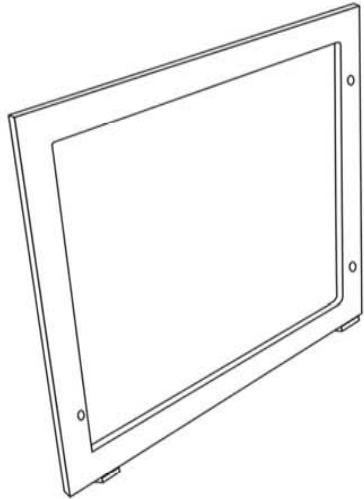
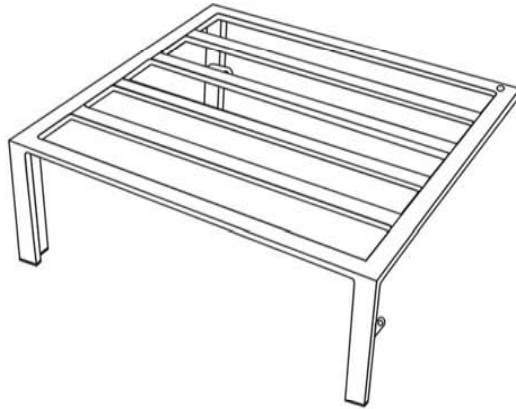


# ASSEMBLY INSTRUCTION

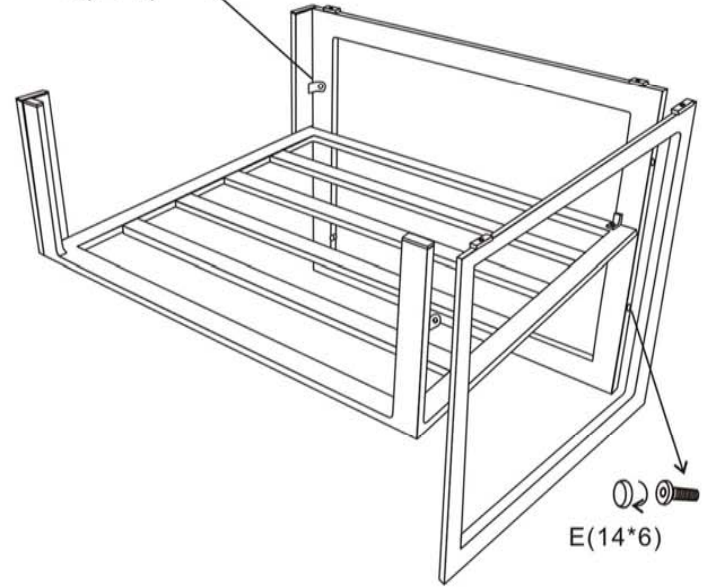
A\*1



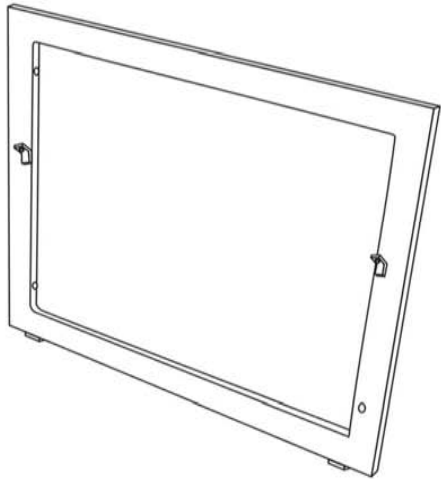
C\*1



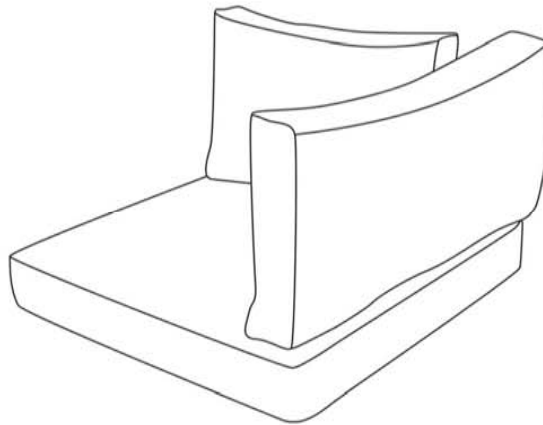
F (M6\*15)  
E(14\*6)



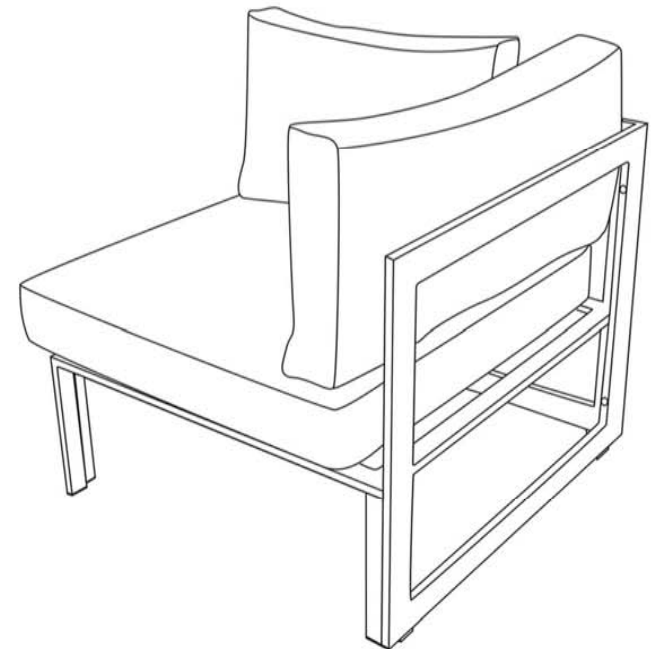
B\*1



D\*1



F (M6\*65)  
E(14\*6)



D\*3 (M6\*15)



E\*2 (M6\*65)



F\*5(14\*6)



G\*1

