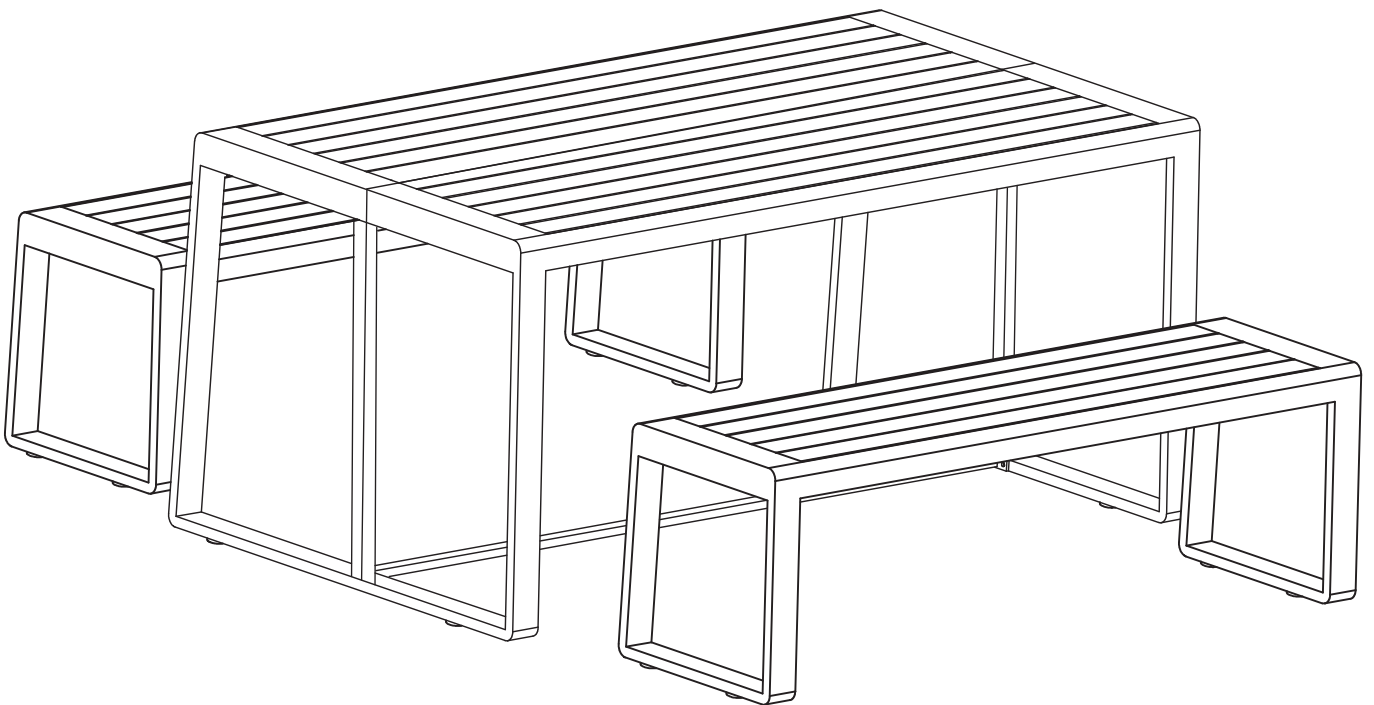


Assembly & Instruction Manual

Picnic table and chair

Installation Guide



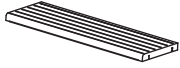









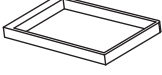

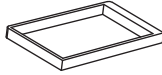


Approximate
assembly time: **30 Minutes**

People
for assembly:



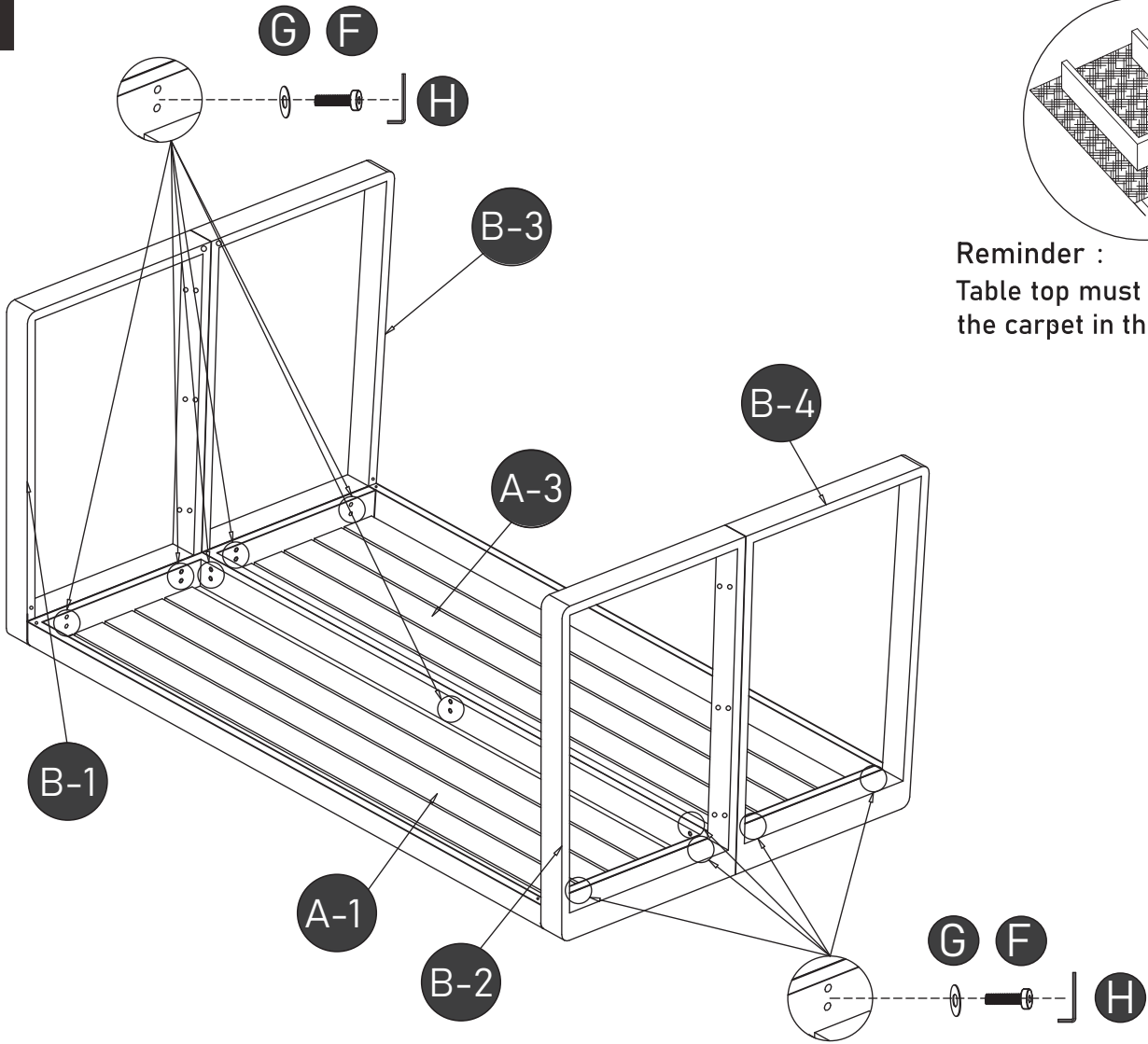
Save this manual for future reference

Parts list

Parts No	Component	Qty	Parts No	Component	Qty
A-1		1	C		4
A-2		1	D		1
J		2	E	 M6*18	12
B-1		1	F	 M6*35	58
B-2		1	G		70
B-3		1	H		1
B-4		1	I		16
K		4			

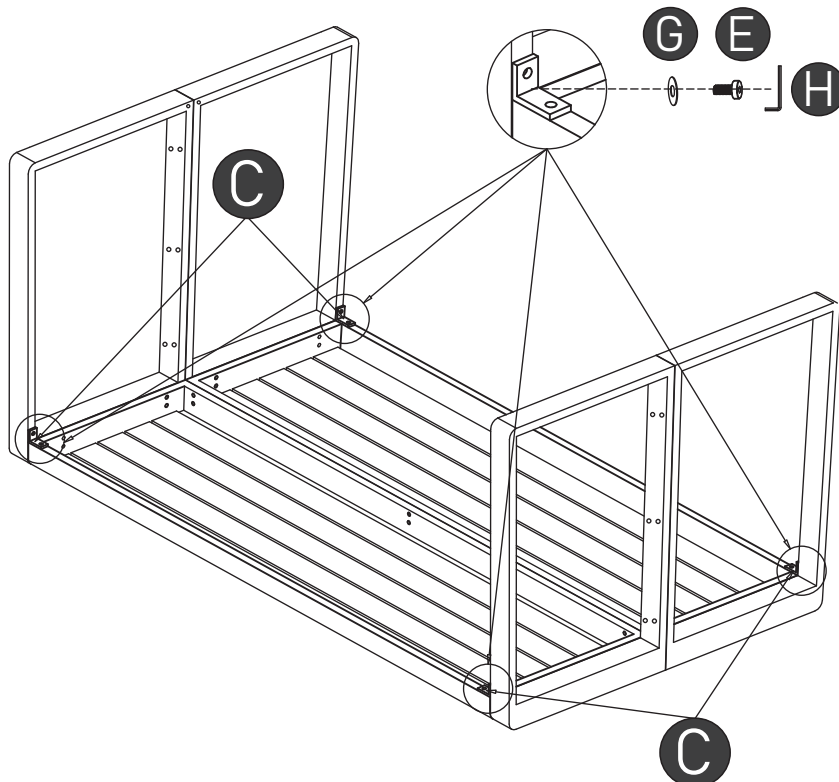
Parts list

1



Reminder :
Table top must be put on
the carpet in the assembly.

2

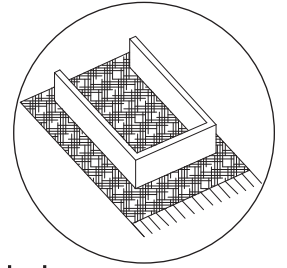
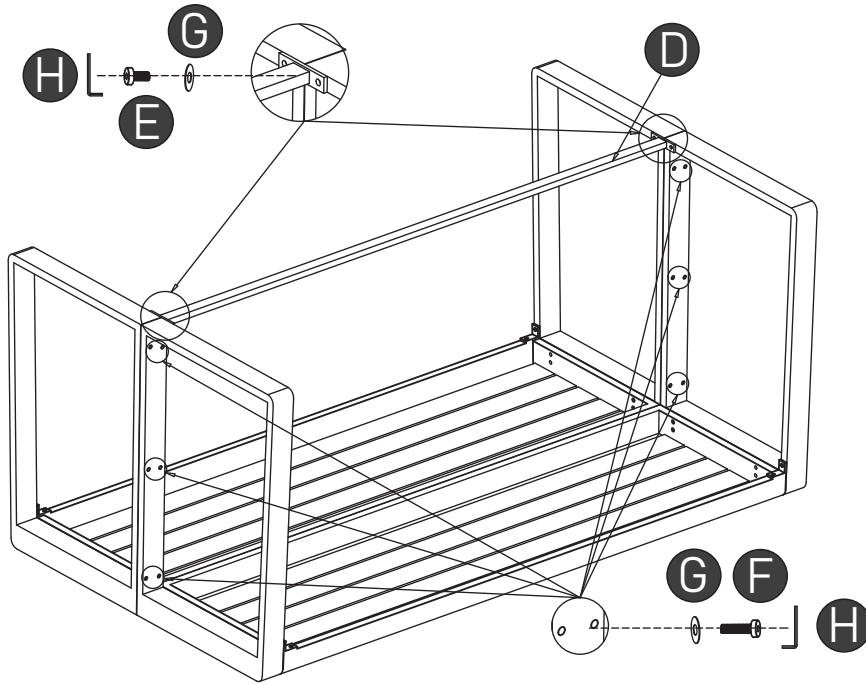


Reminder :
Table top must be put on
the carpet in the assembly.

3

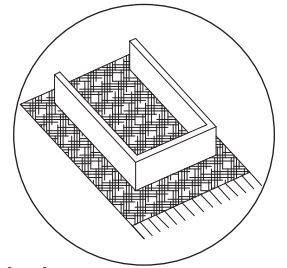
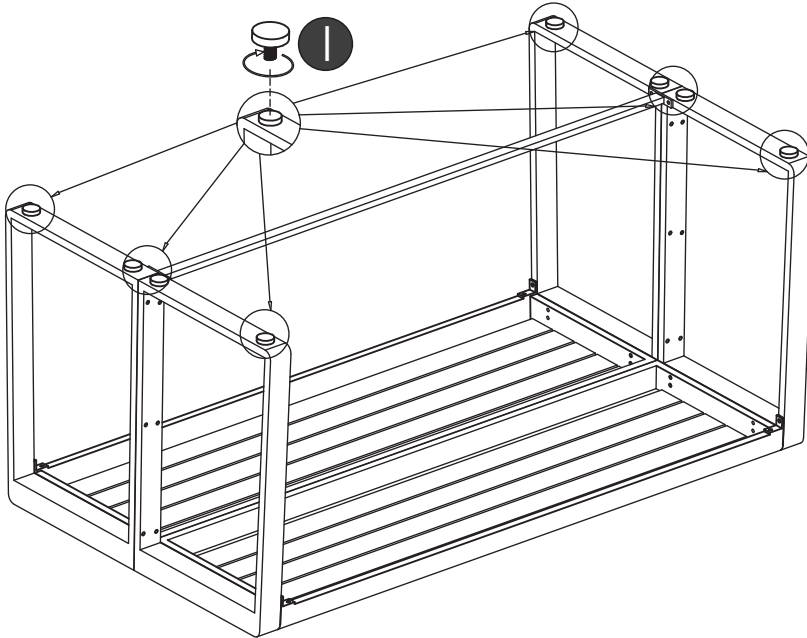
Parts list

3



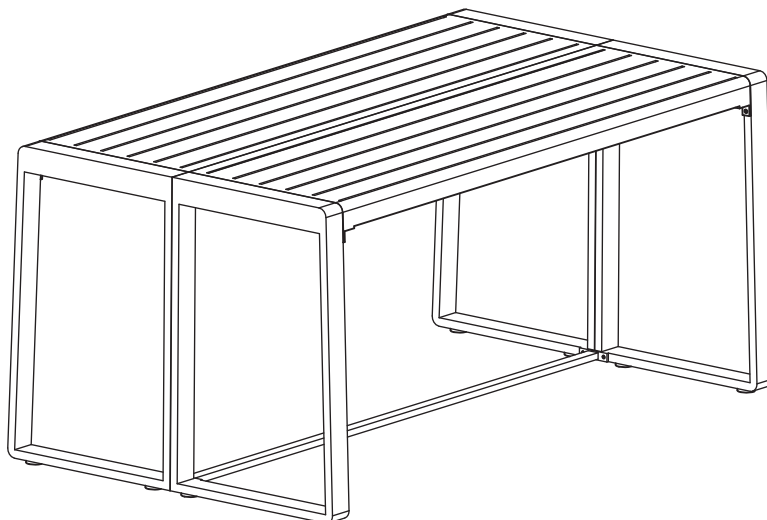
Reminder :
Table top must be put on
the carpet in the assembly.

4



Reminder :
Table top must be put on
the carpet in the assembly.

5

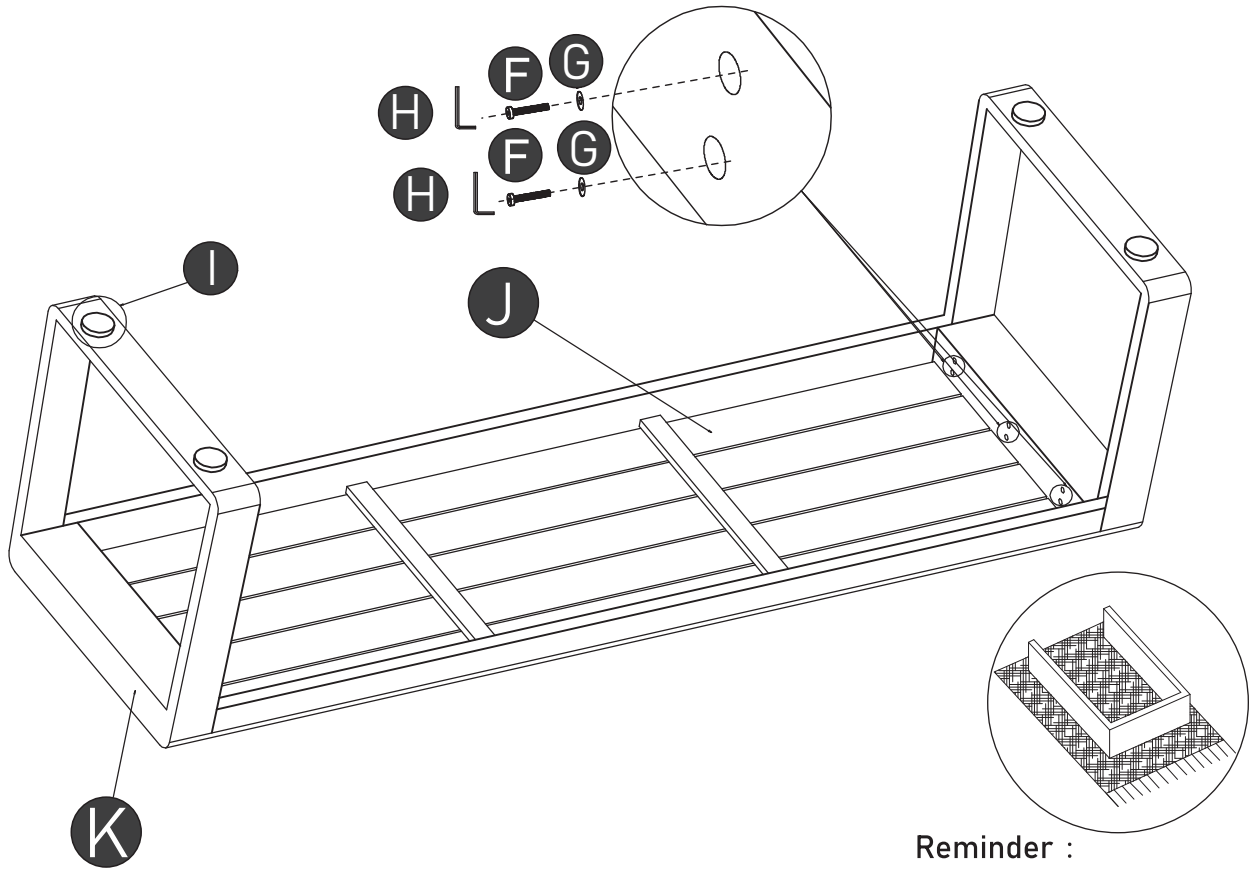


x1

Parts list

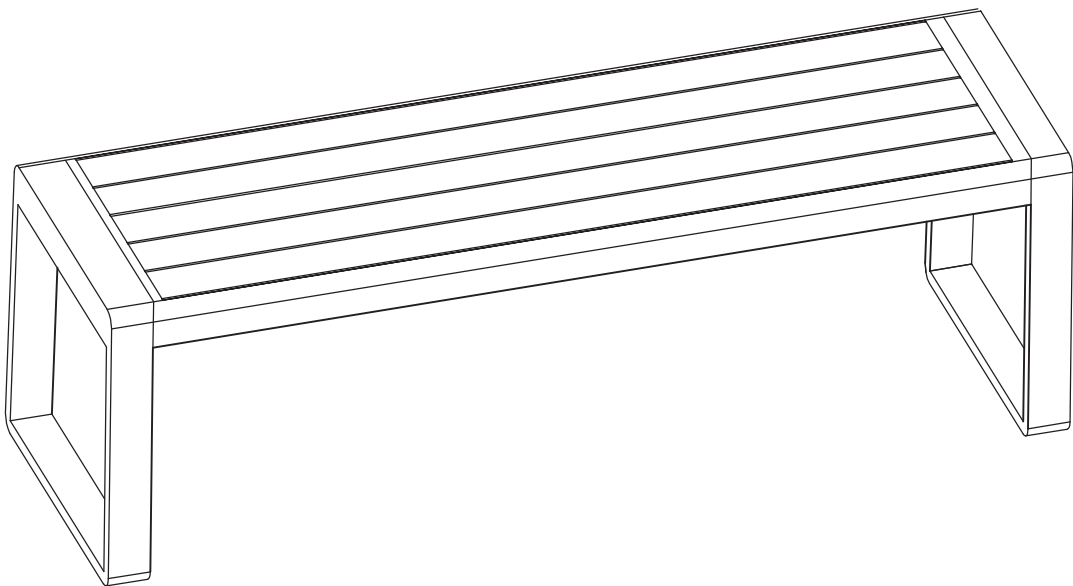
6

- Place the table top (J) on a soft, flat non-abrasive surface.



Reminder :
Table top must be put on
the carpet in the assembly.

7



x2