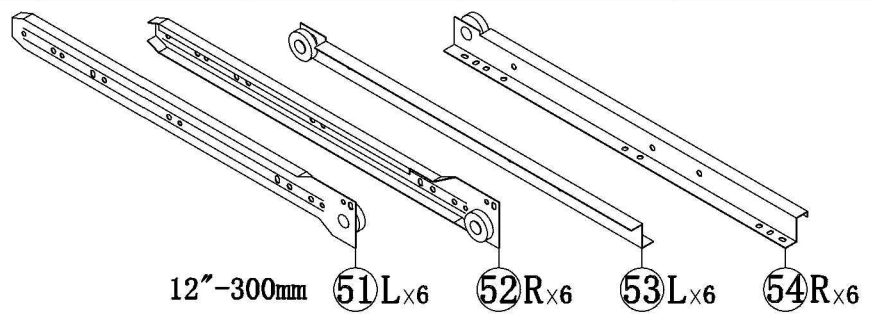
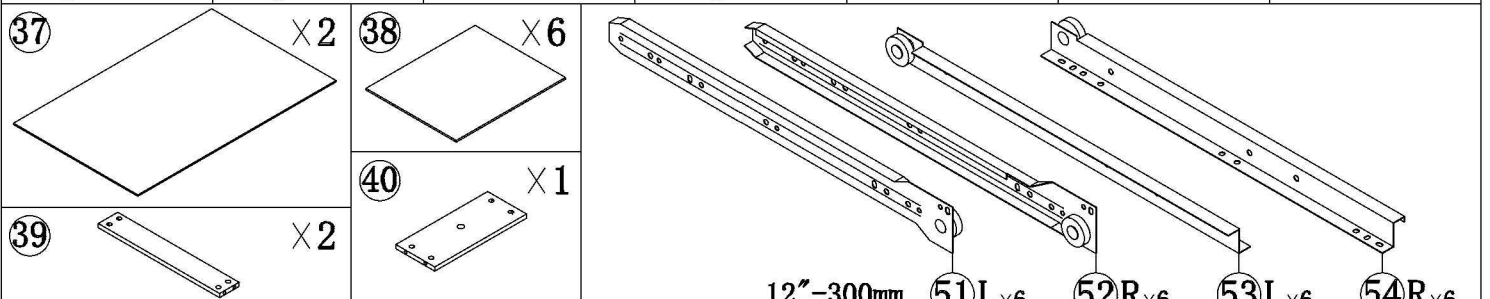
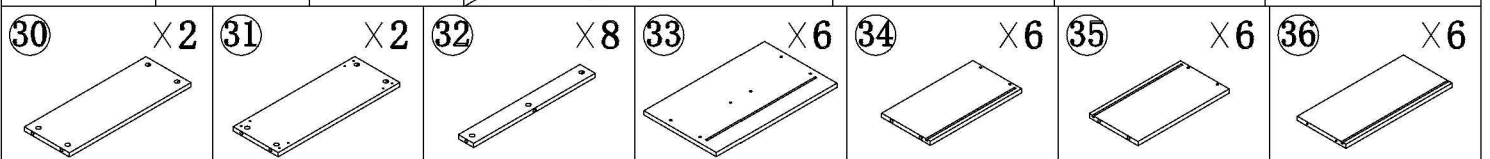
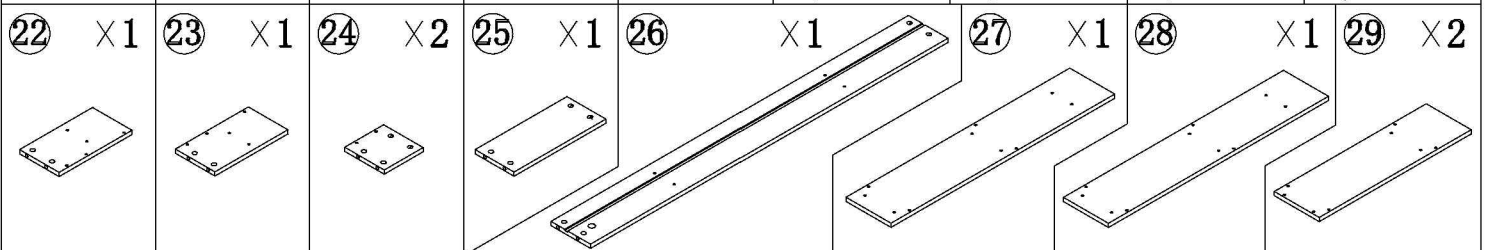
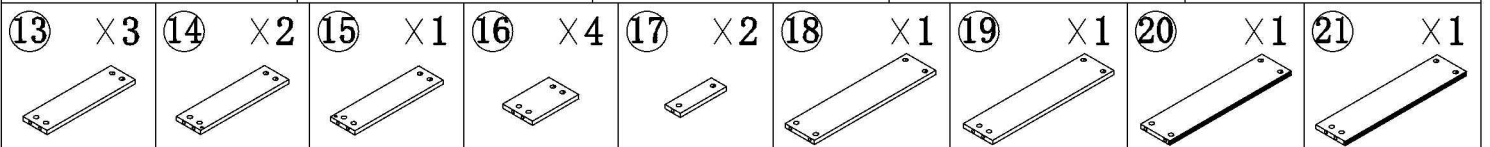
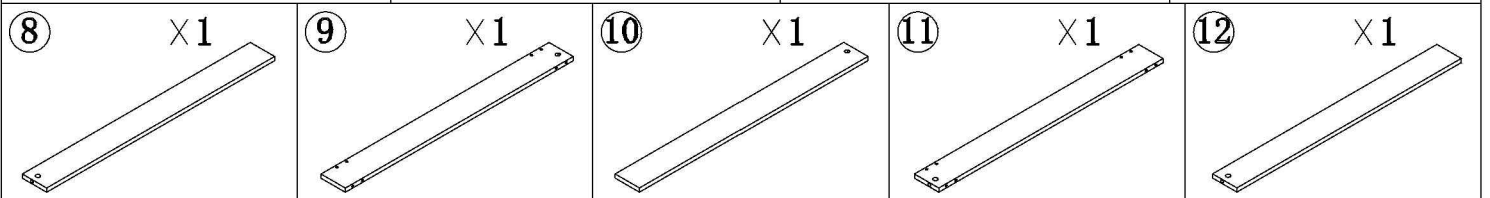
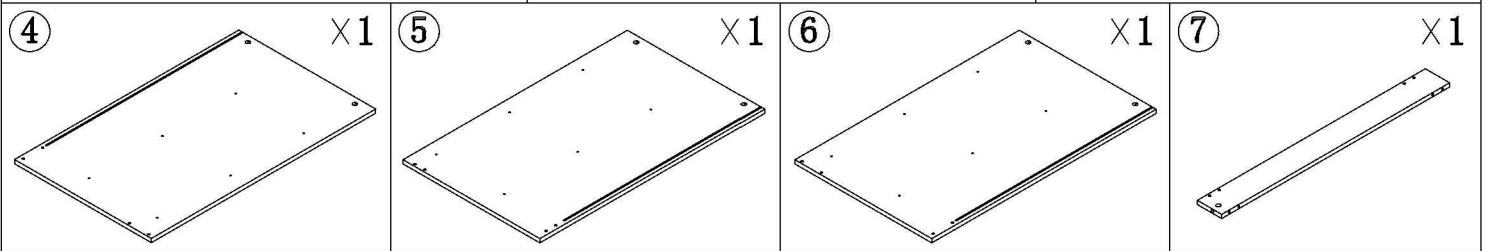
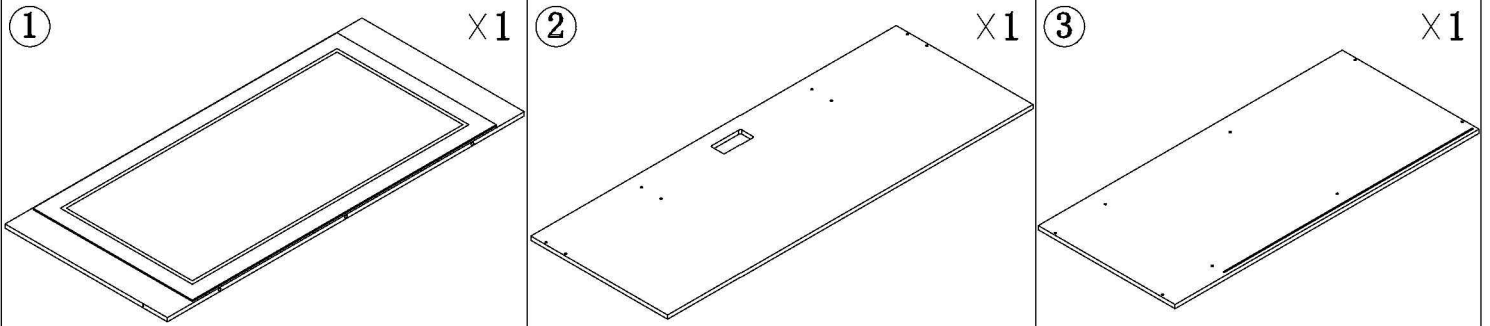


# ASSEMBLY INSTRUCTION

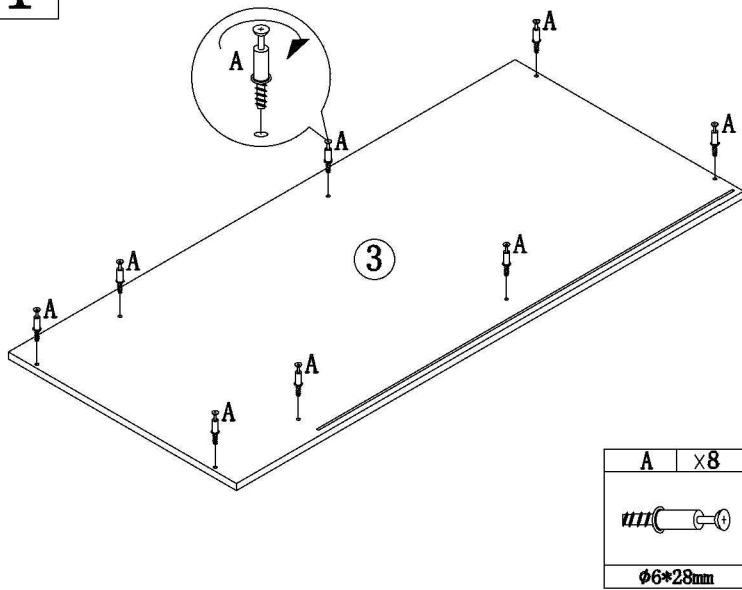
# P2



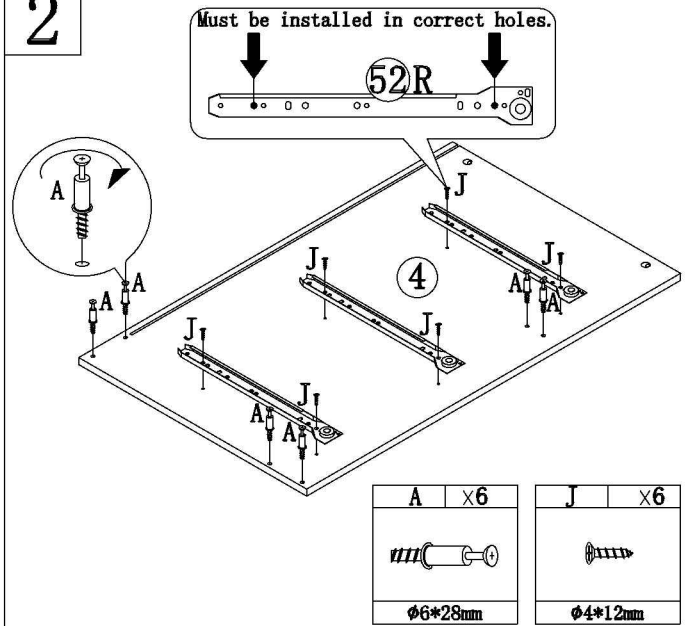
<b>A</b> x171	<b>B</b> x171	<b>C</b> x8	<b>D</b> x16	<b>G</b> x26	<b>I</b> x8	<b>J</b> x66	<b>K</b> x12	<b>T</b> x8
φ6*28mm	φ12*10mm		φ4*16mm	φ4*30mm	φ4*14mm	φ4*12mm		40mm

<b>X</b> x8	<b>E</b> x1	<b>Z</b> x1	<b>Y</b> x1

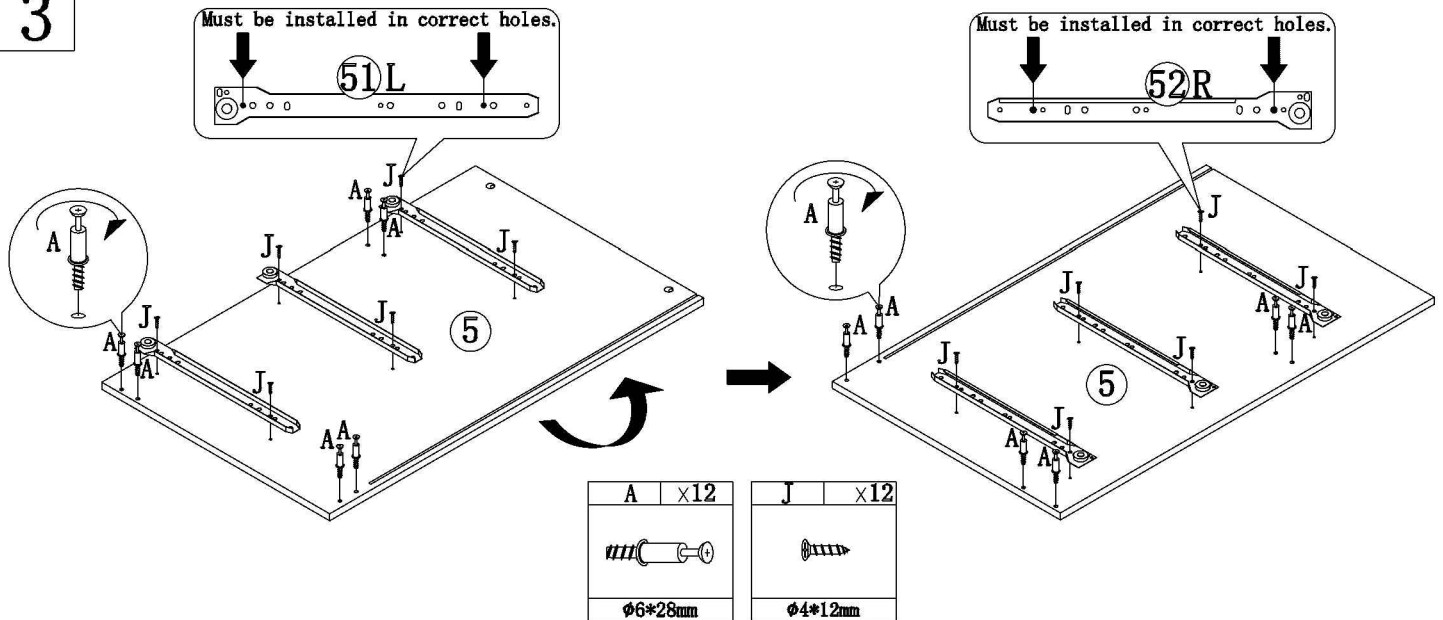
1



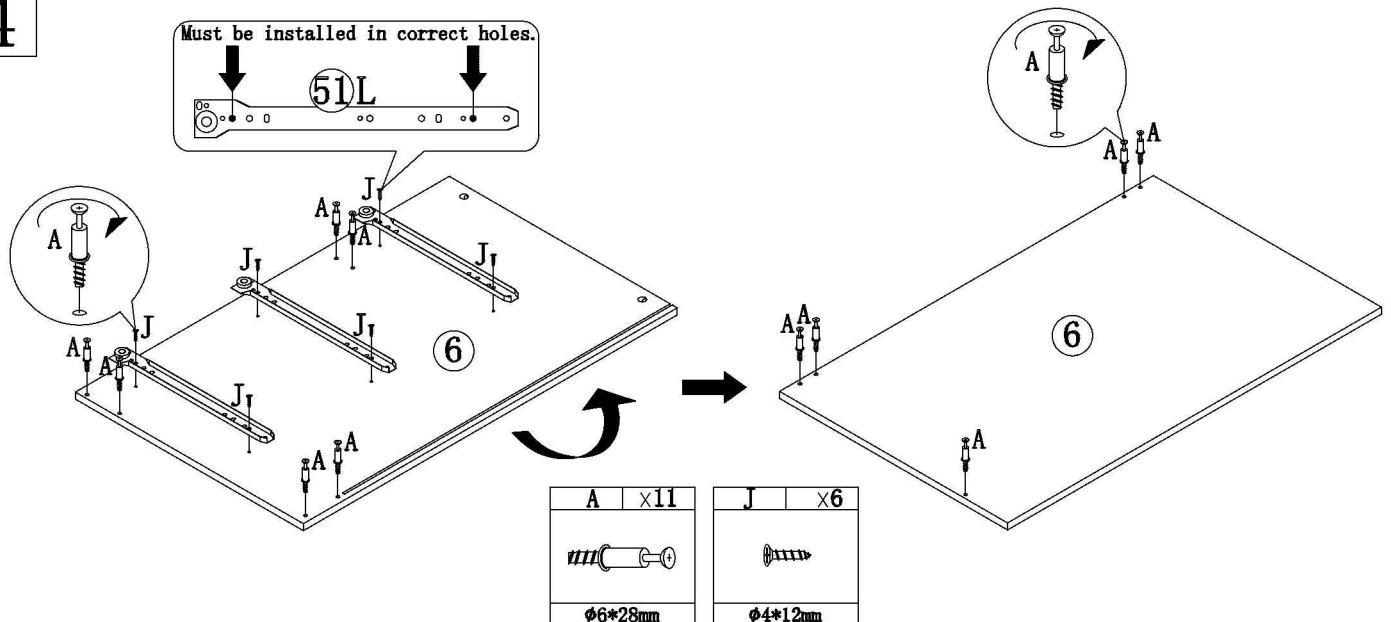
2



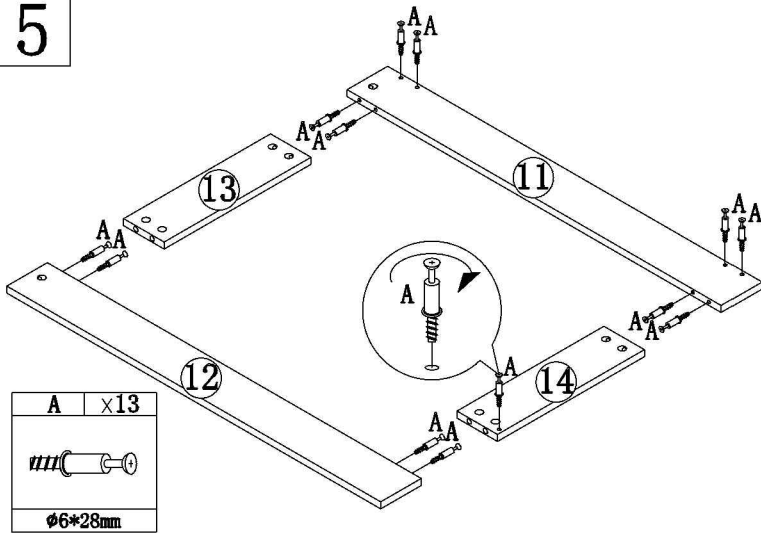
3



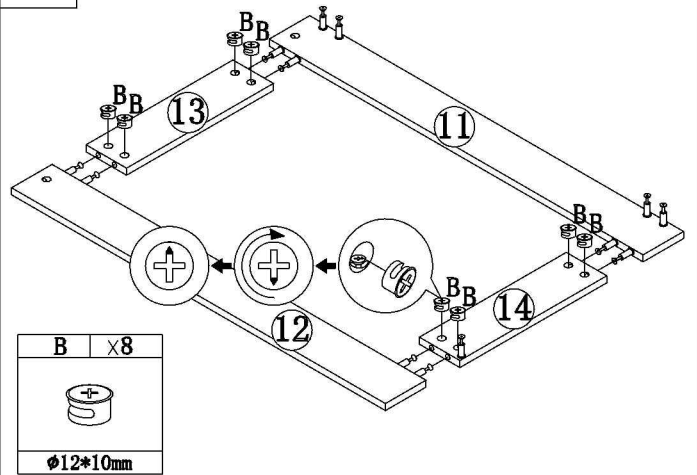
4



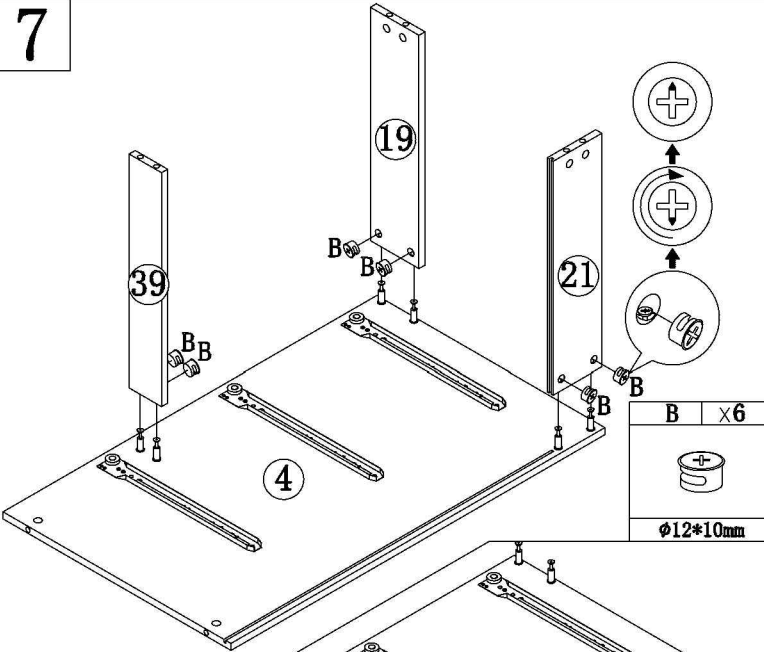
5



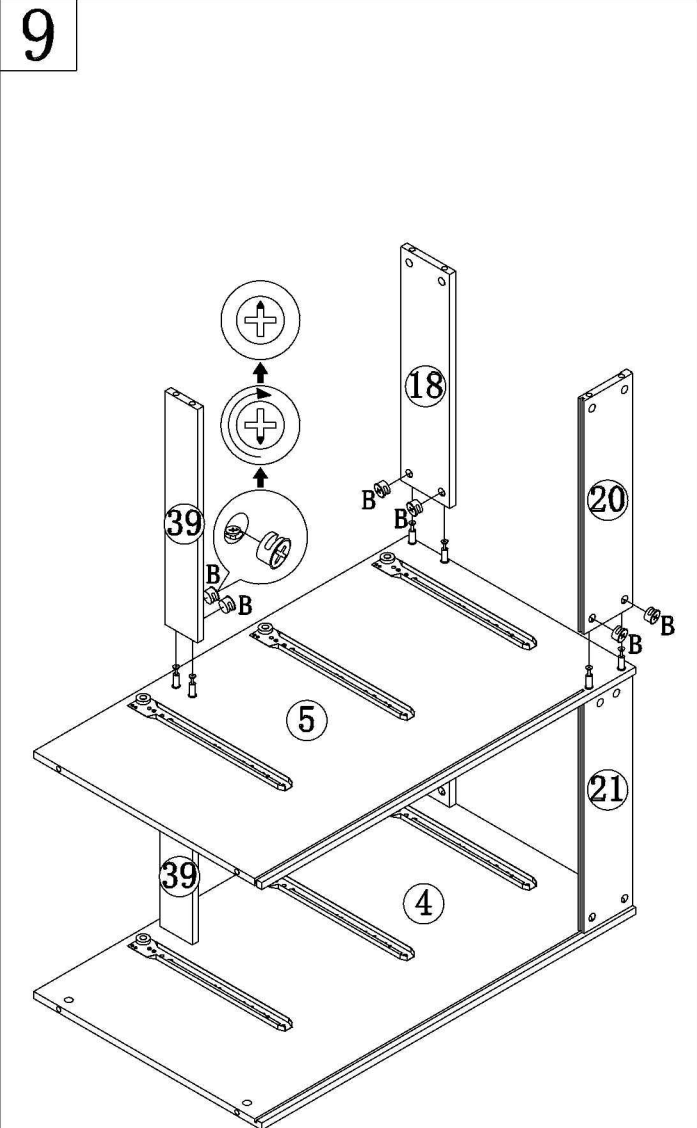
6



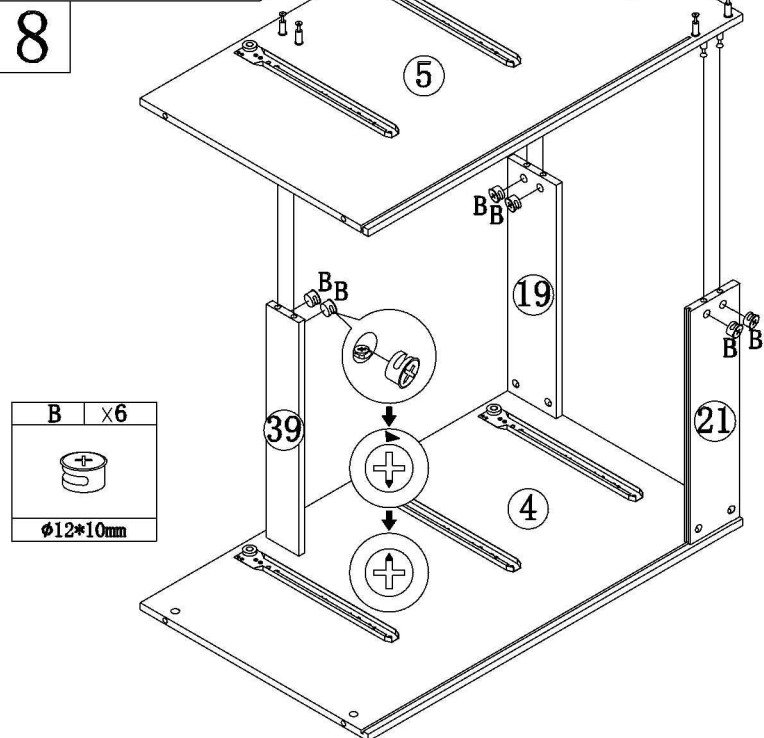
7



9



8



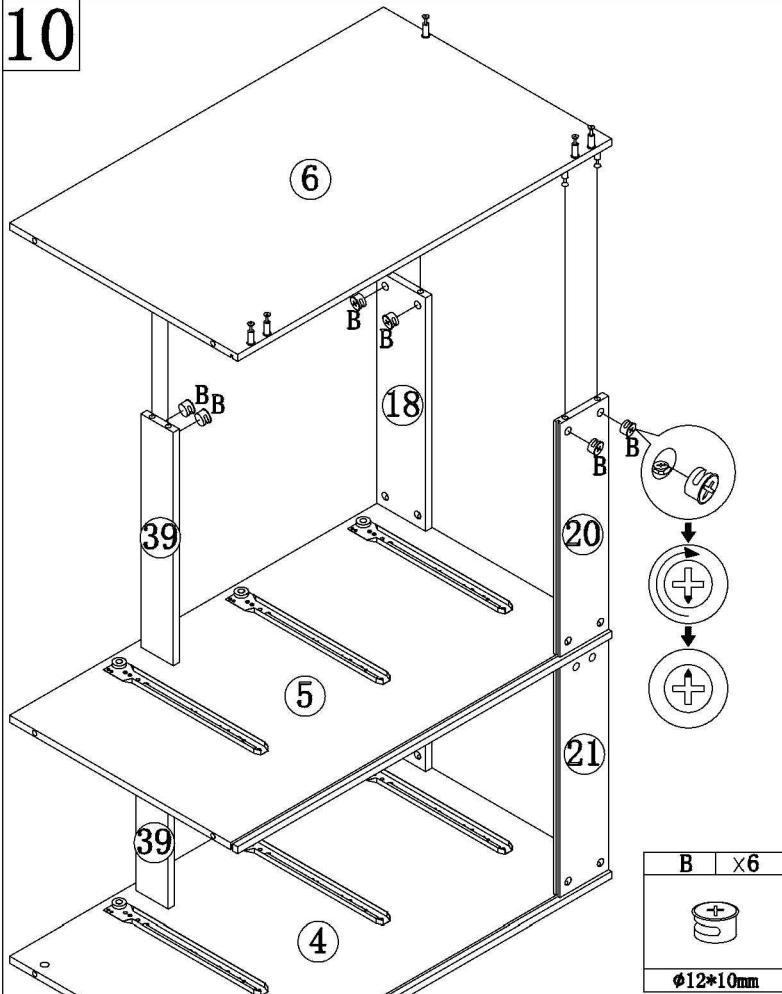
B

x6

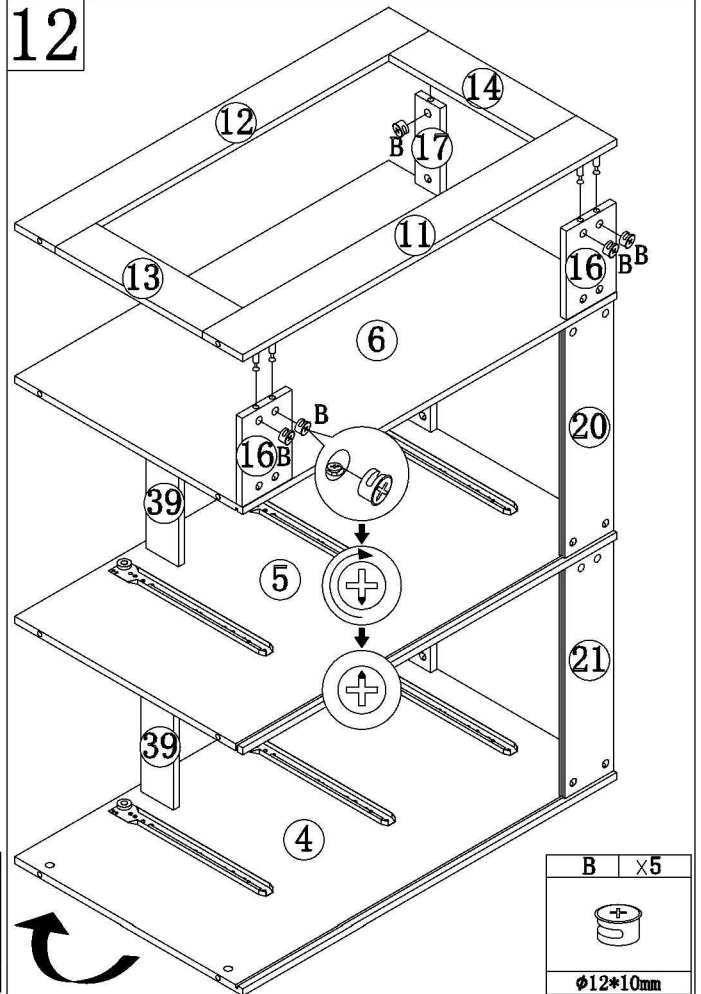


φ12\*10mm

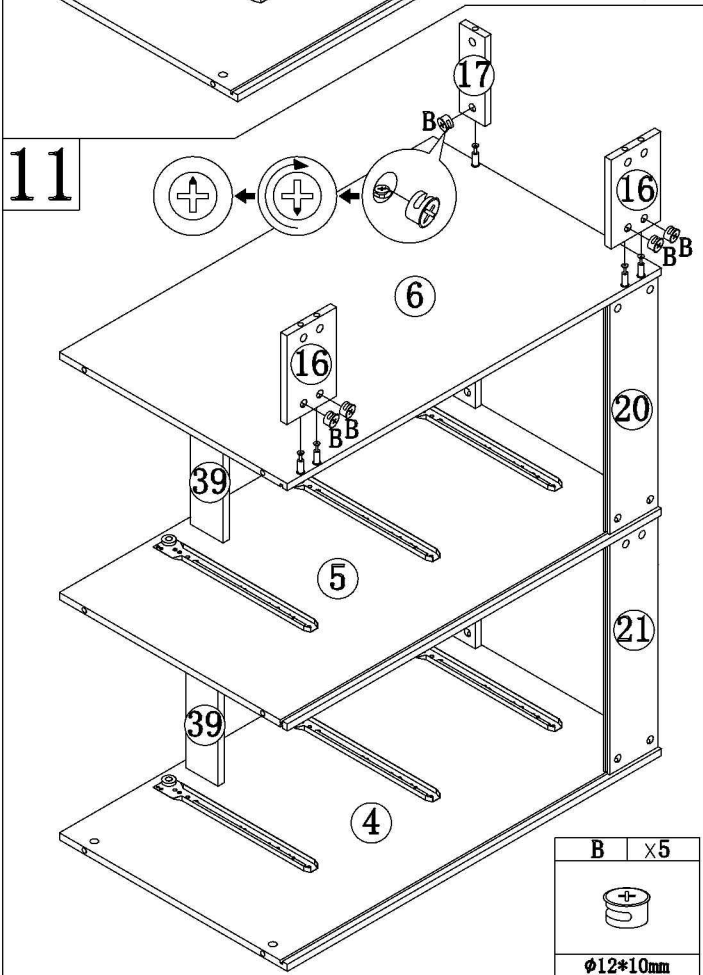
10



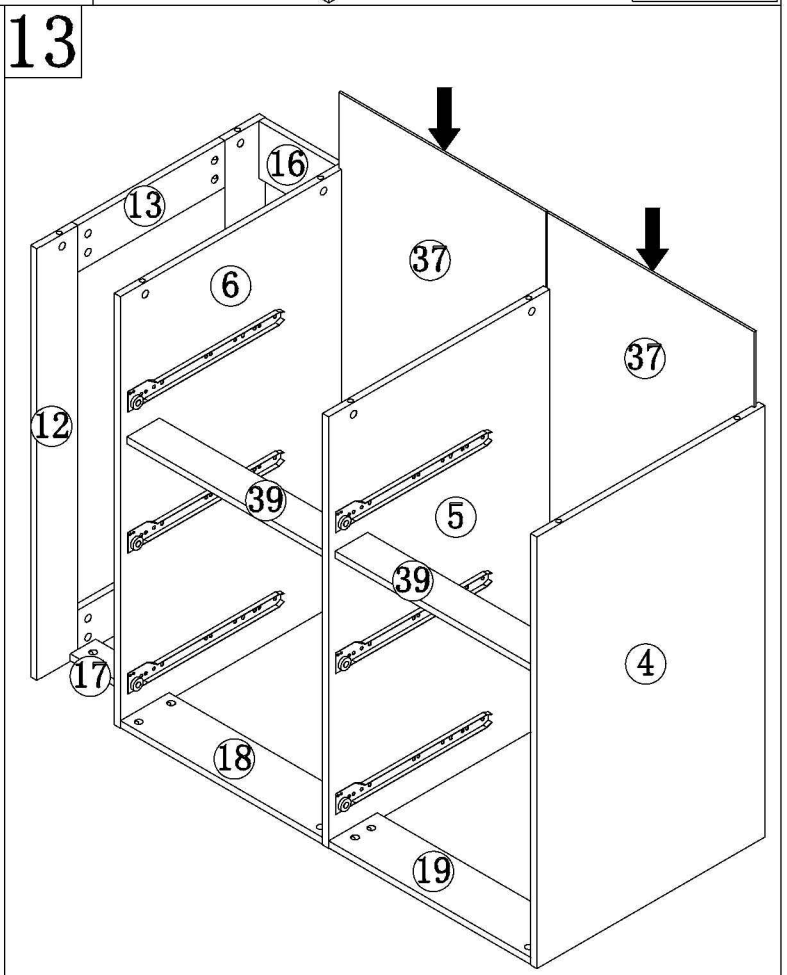
12



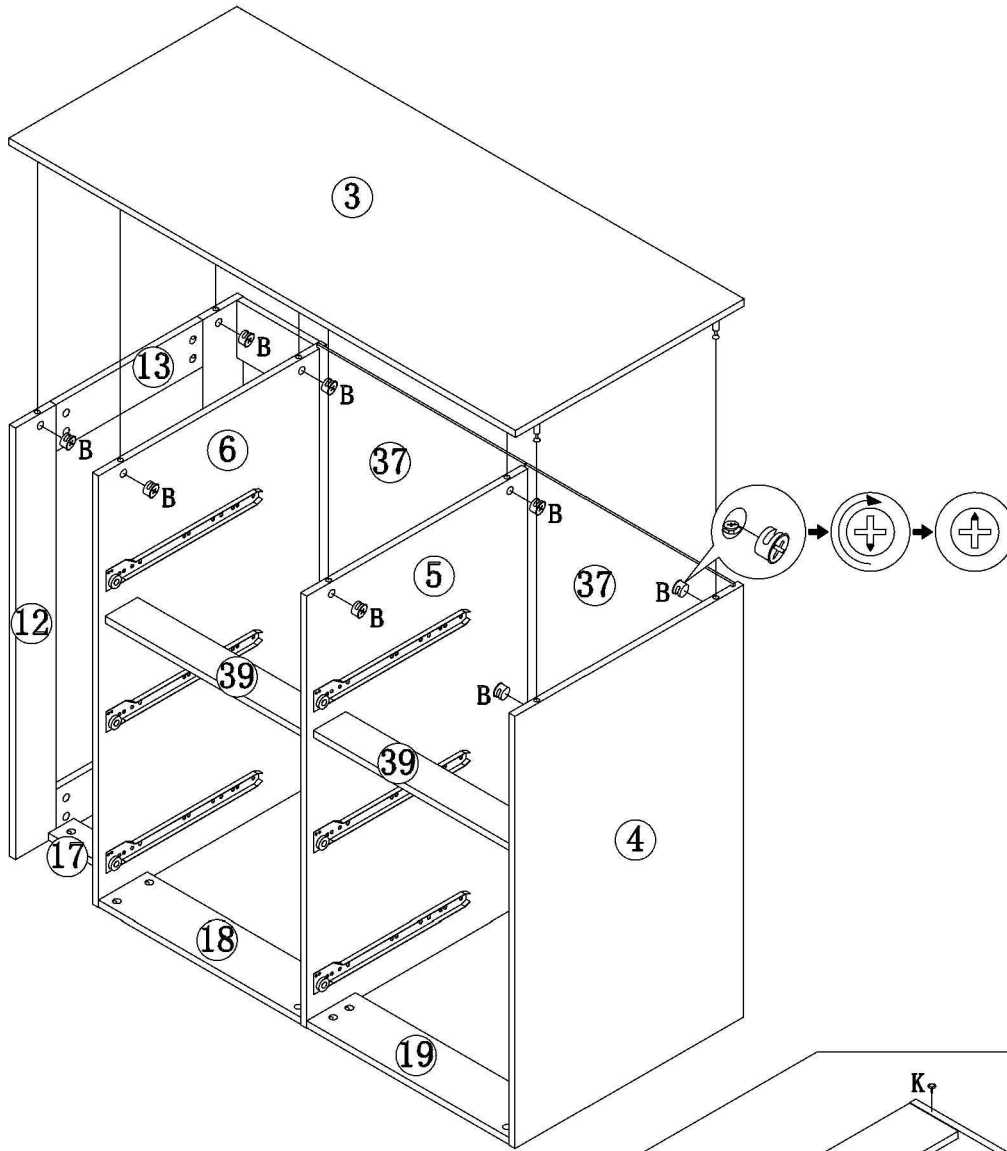
11




13

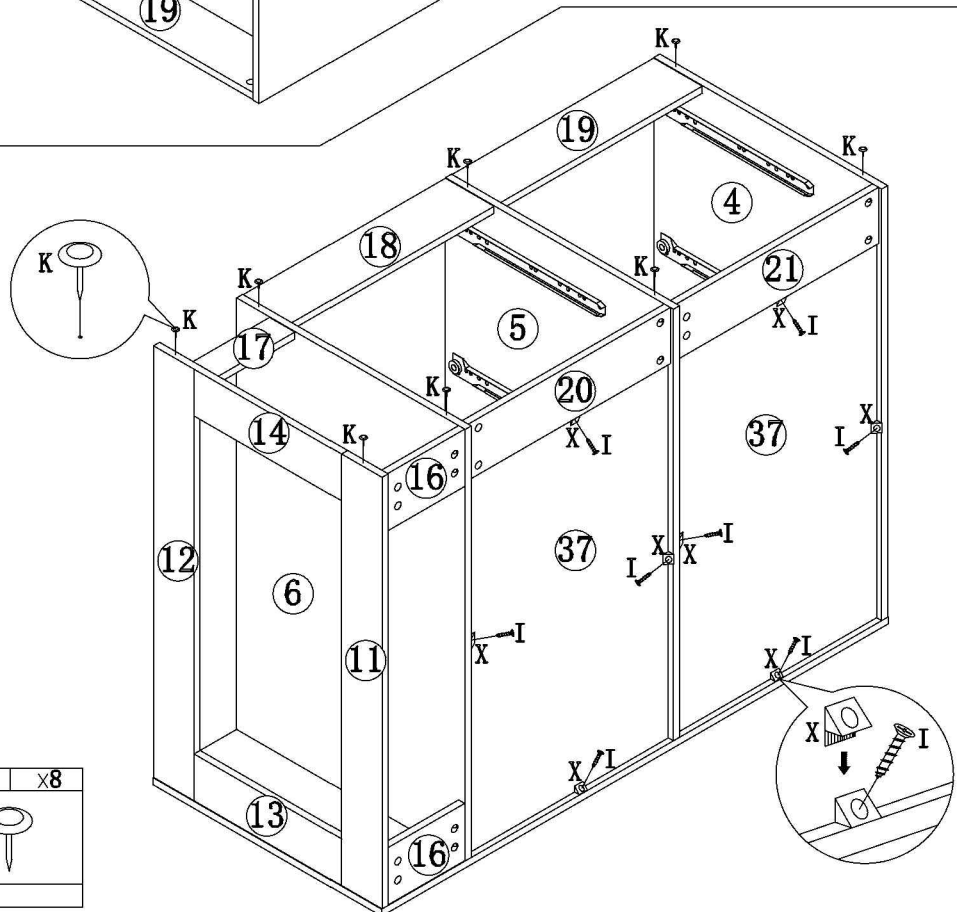


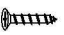
## 14





B	×8
	
Ø12*10mm	

## 15



I	×8
	
Ø4*14mm	

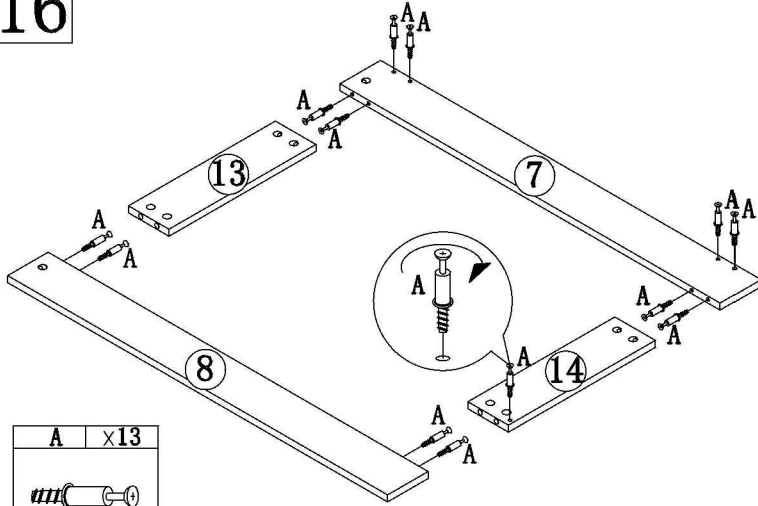
X	×8
	

K	×8
	

# ASSEMBLY INSTRUCTION

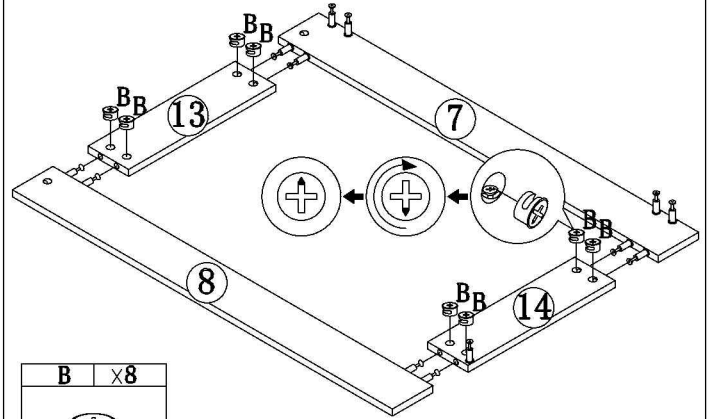
# P7

## 16



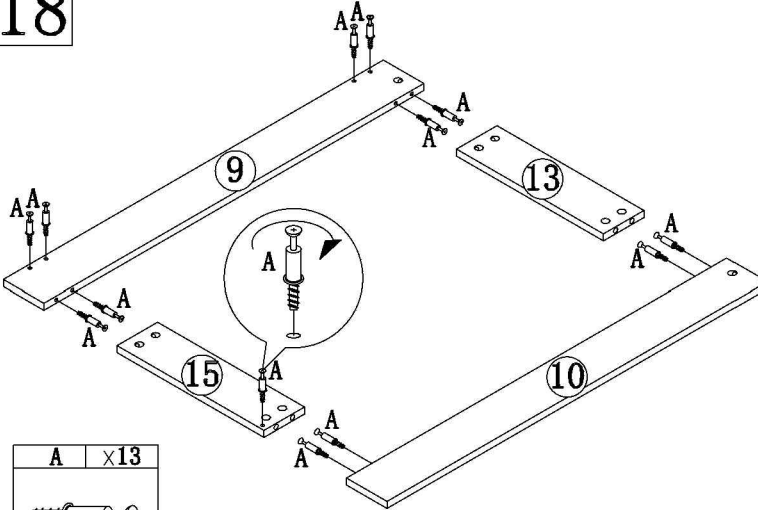
A	×13
φ6*28mm	

## 17



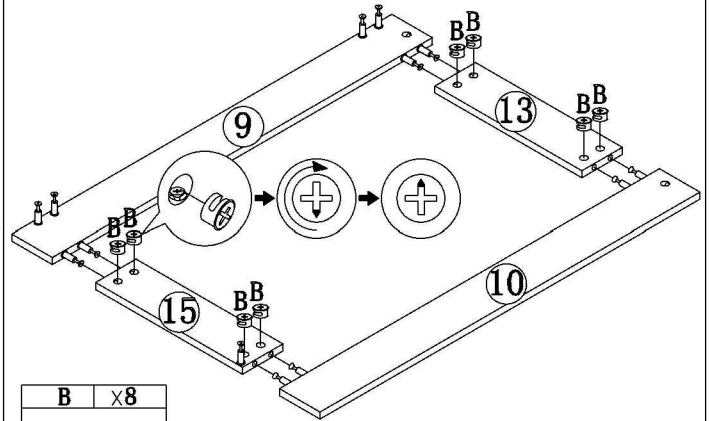
B	×8
φ12*10mm	

## 18



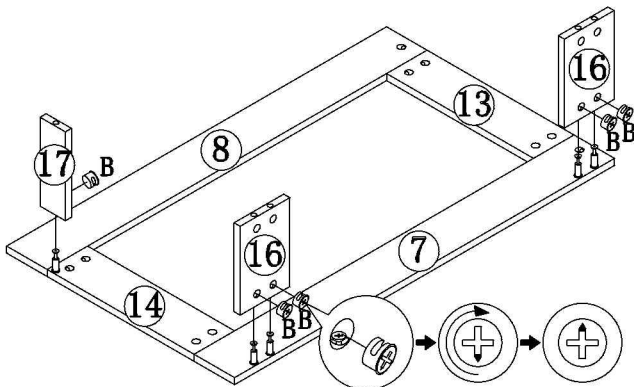
A	×13
φ6*28mm	

## 19



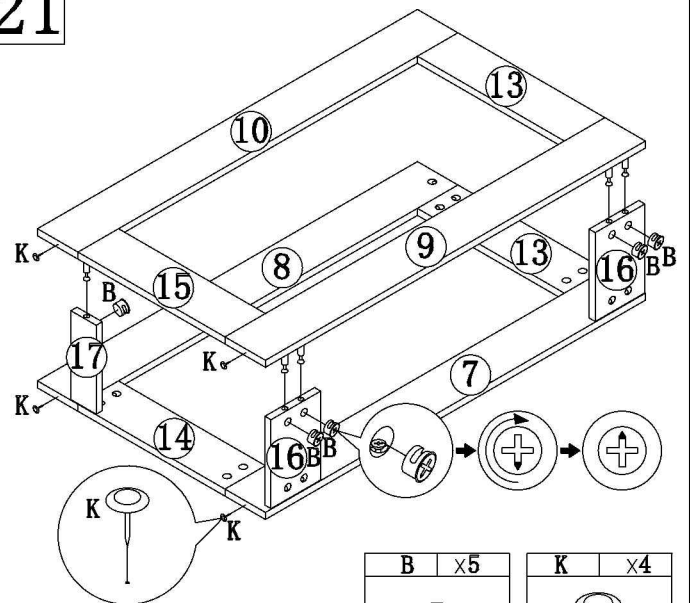
B	×8
φ12*10mm	

## 20



B	×5
φ12*10mm	

## 21



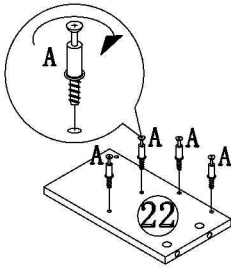
B	×5
φ12*10mm	

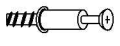
K	×4

# ASSEMBLY INSTRUCTION

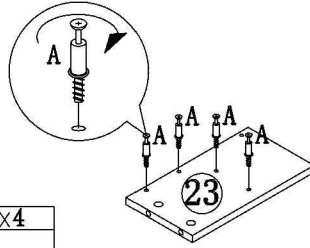
P8

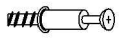
22



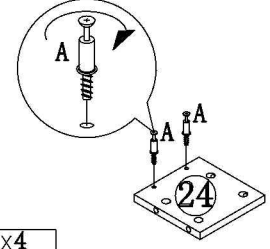
A	x4
	
φ6*28mm	


23



A	x4
	
φ6*28mm	

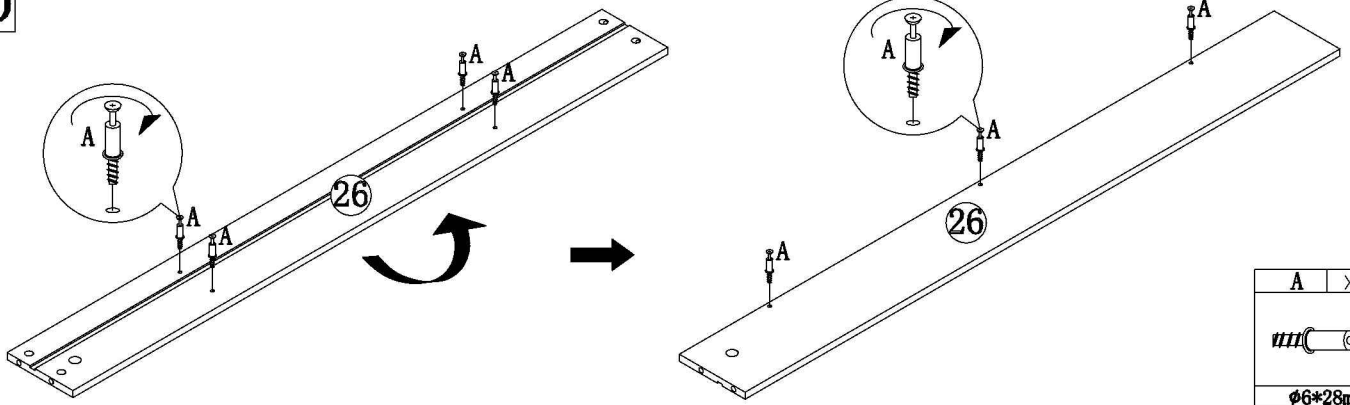
24

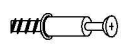


A	x4
	
φ6*28mm	

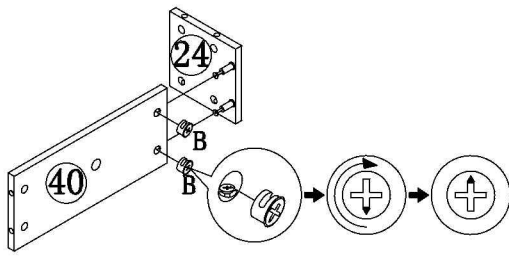
x2


25



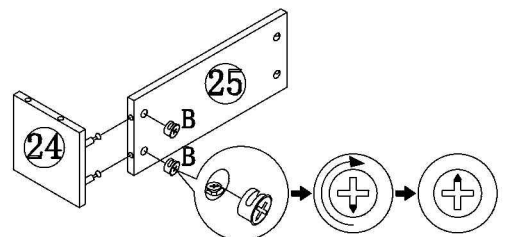
A	x7
	
φ6*28mm	


26



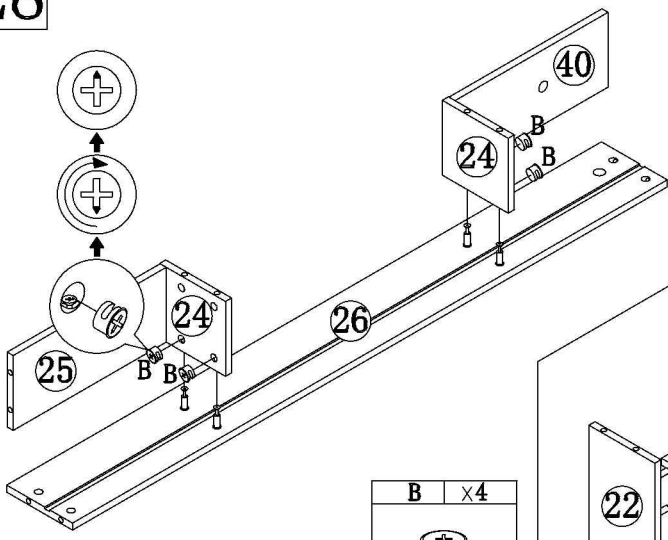
B	x2
	
φ12*10mm	


27



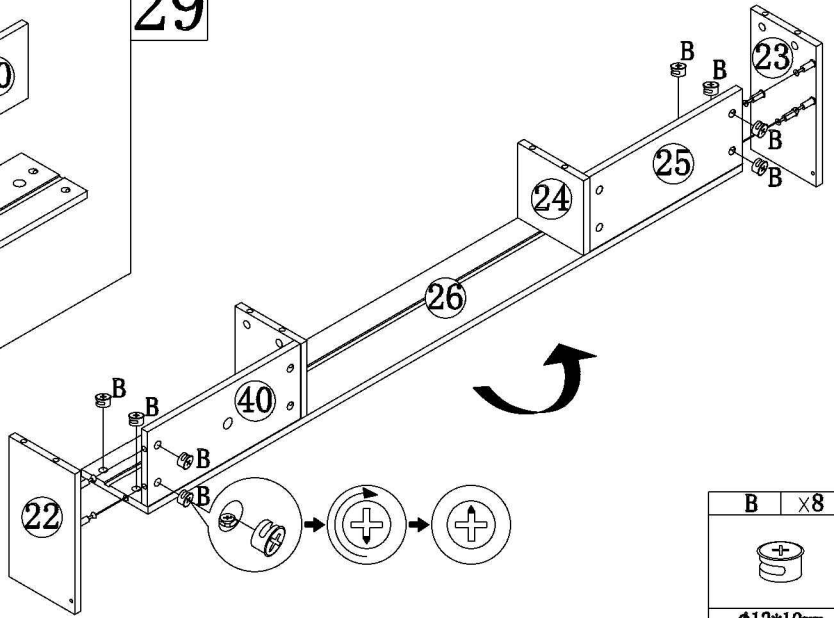
B	x2
	
φ12*10mm	


28



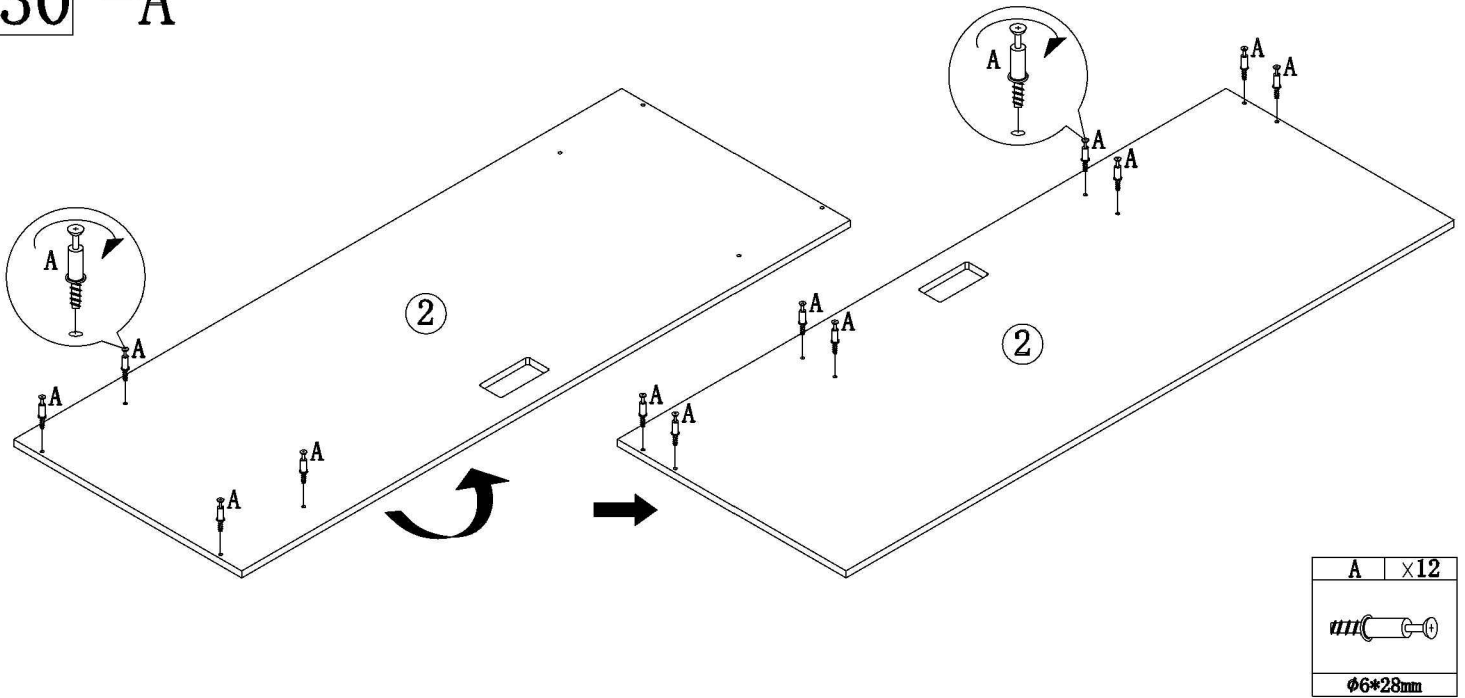
B	x4
	
φ12*10mm	

29

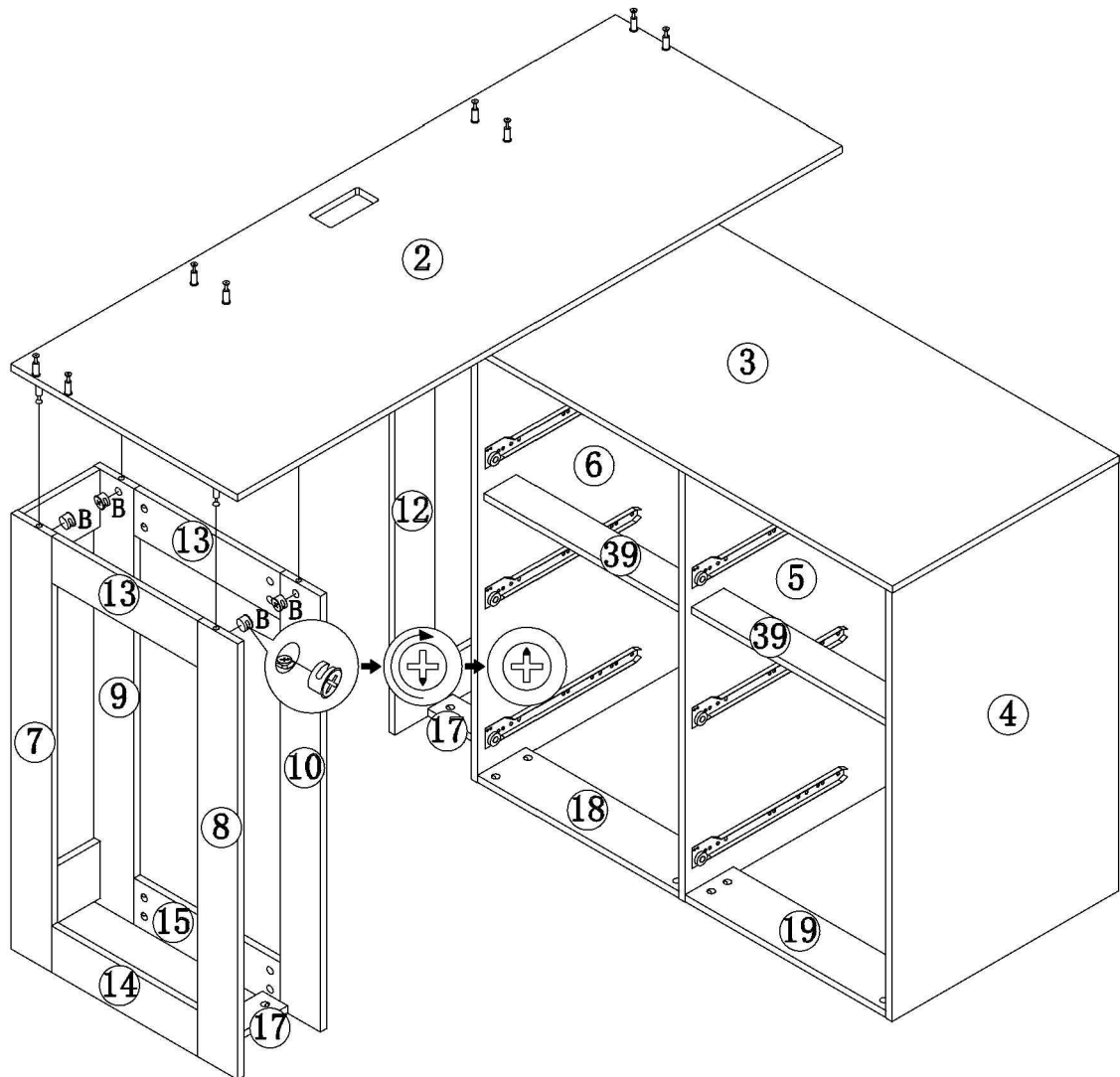



B	x8
	
φ12*10mm	

## 30 -A

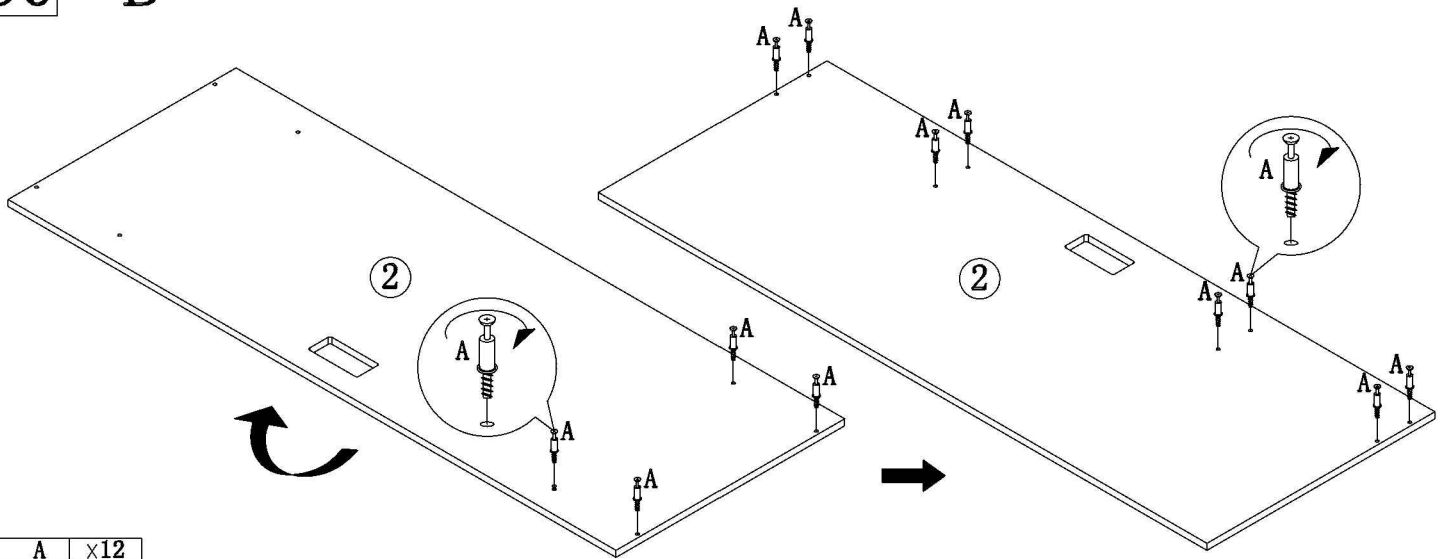


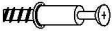
## 31 -A



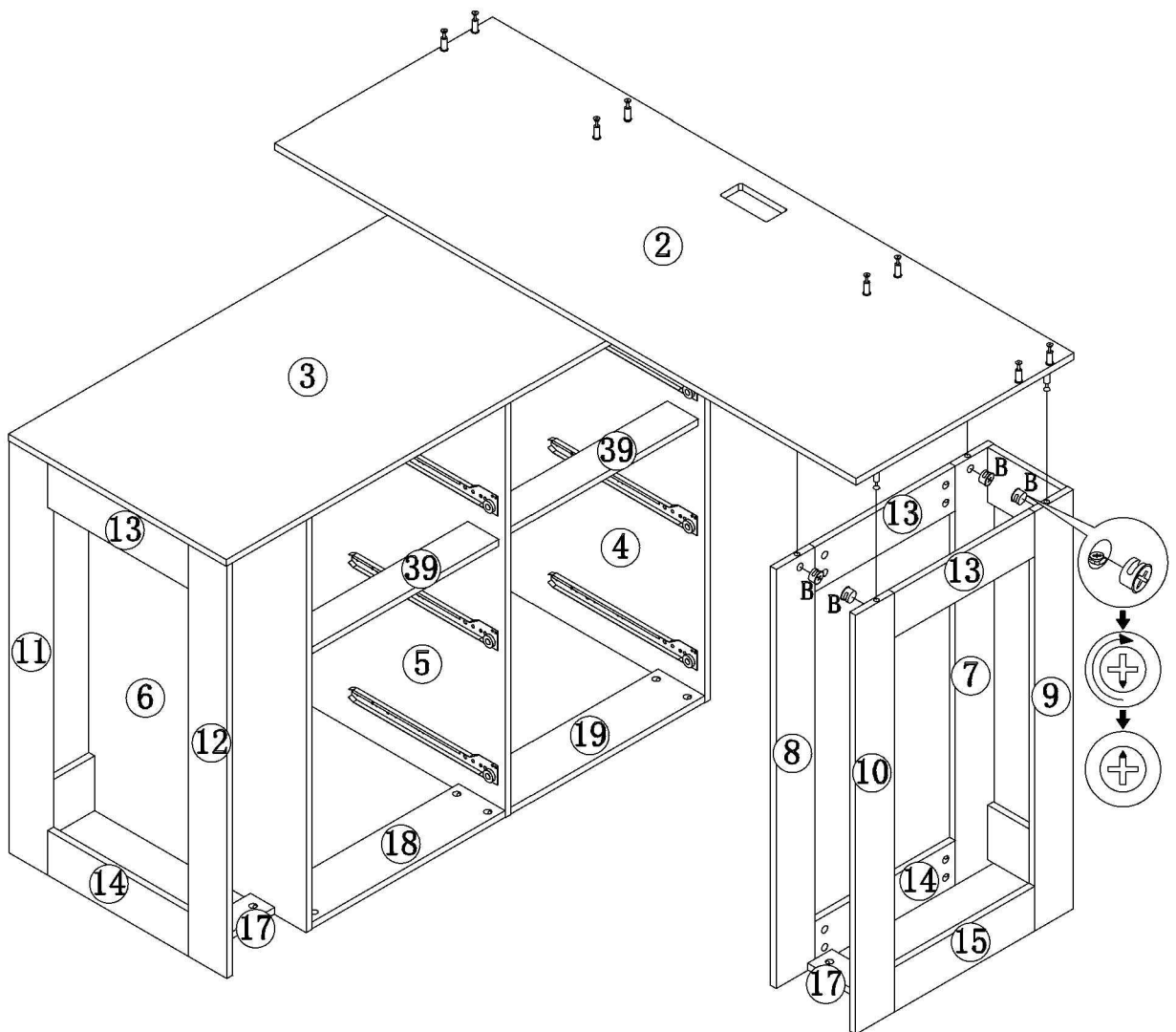
B	×4
	
Ø12*10mm	


## 30 -B



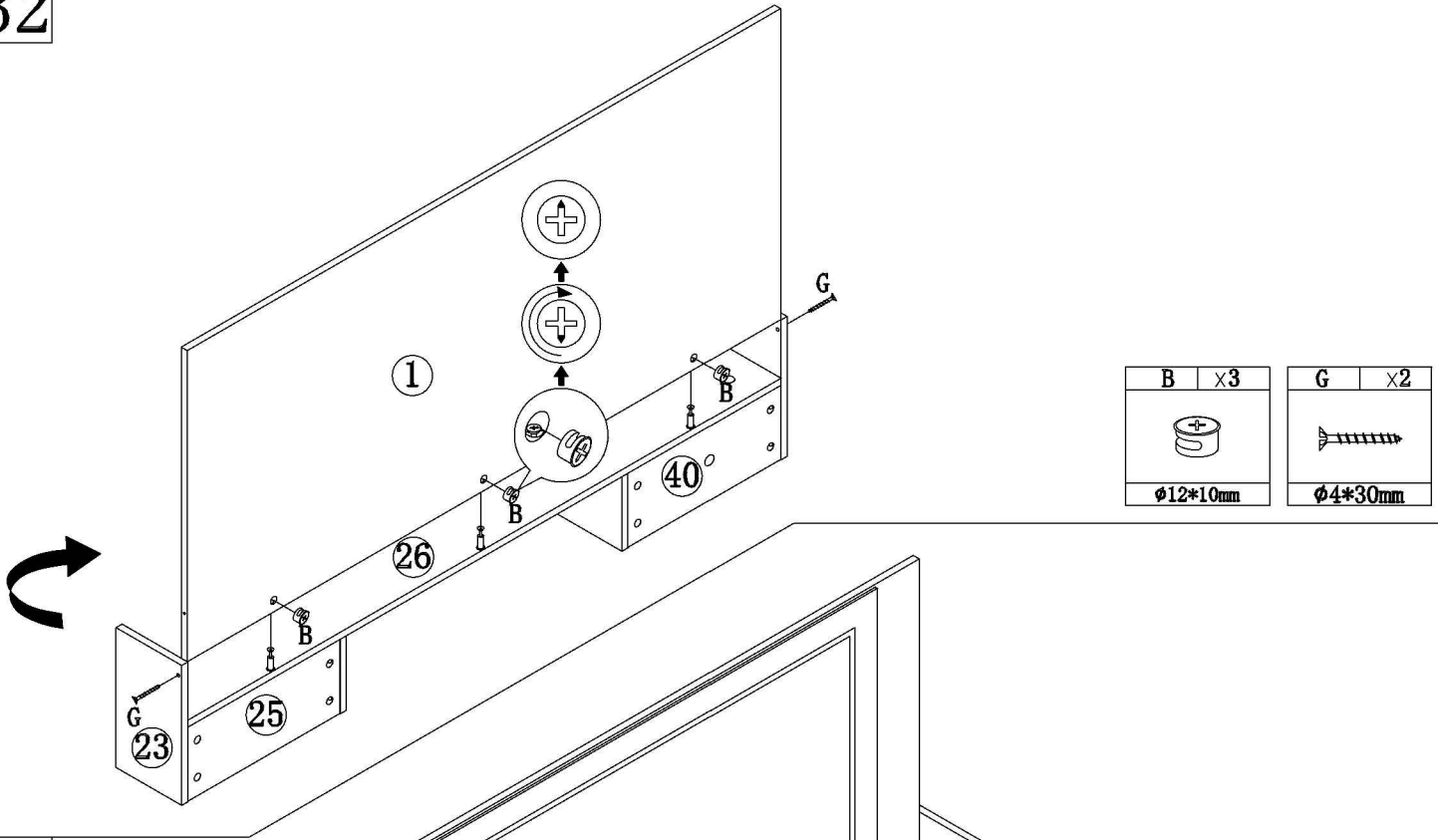
A	×12
	
φ6*28mm	

## 31 -B

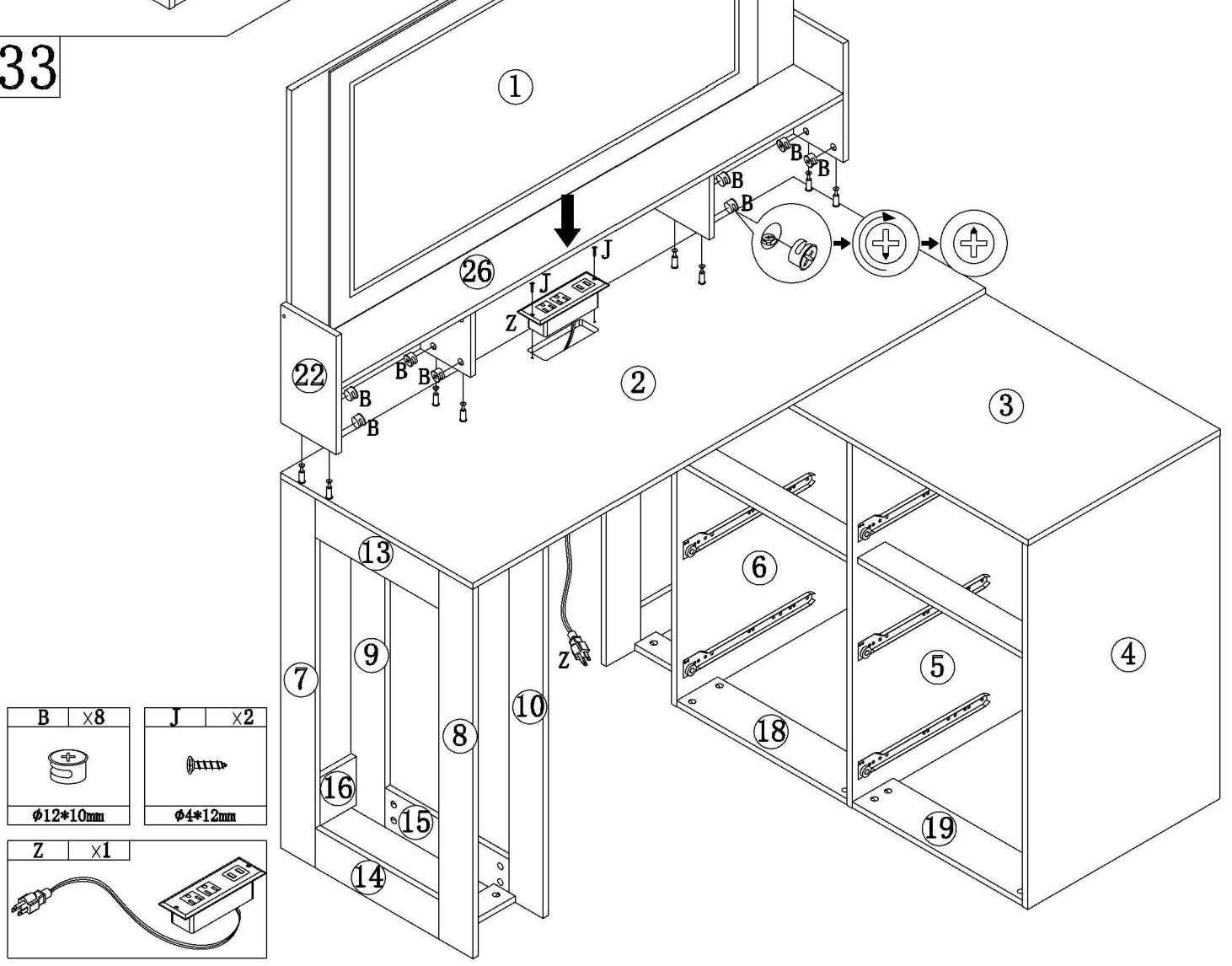


B	×4
	
φ12*10mm	

## 32



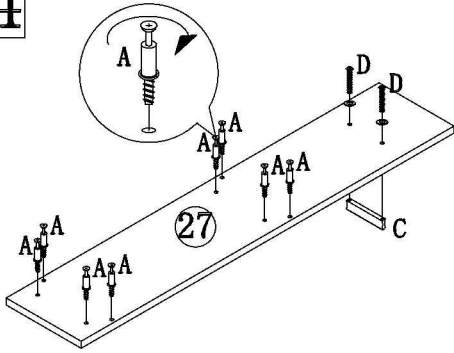
## 33



# ASSEMBLY INSTRUCTION

P12

34

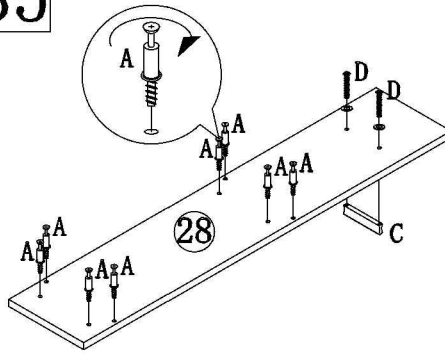


A	×8
φ6*28mm	

C	×1

D	×2
φ4*16mm	

35

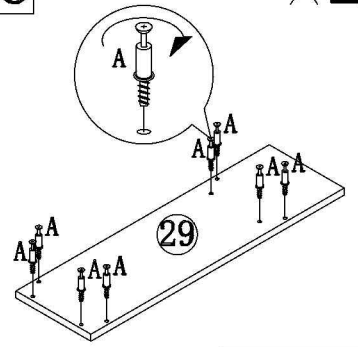


A	×8
φ6*28mm	

C	×1

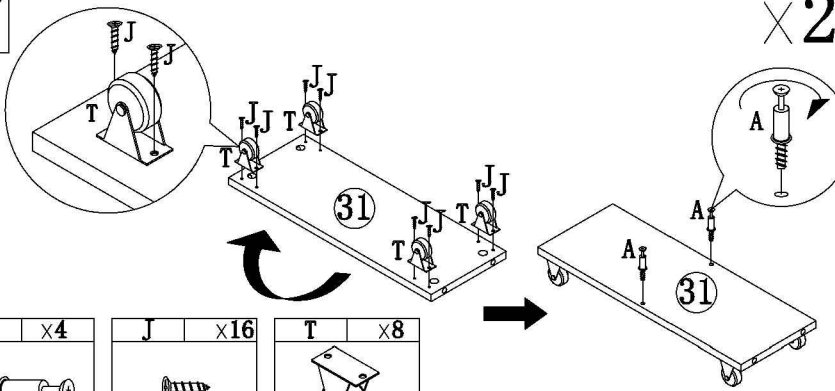
D	×2
φ4*16mm	

36



A	×16
φ6*28mm	

37

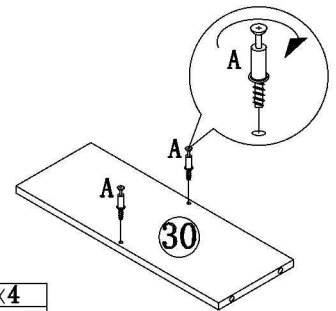


A	×4
φ6*28mm	

J	×16
φ4*12mm	

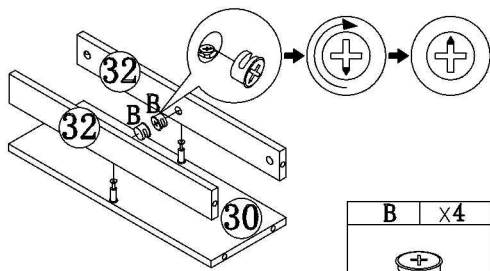
T	×8
40mm	

38



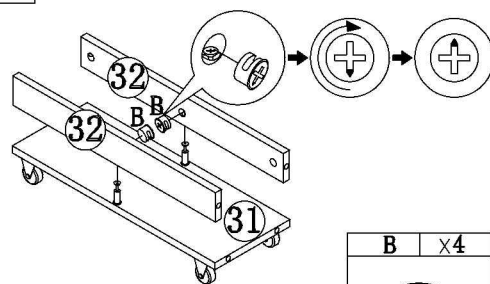
A	×4
φ6*28mm	

39



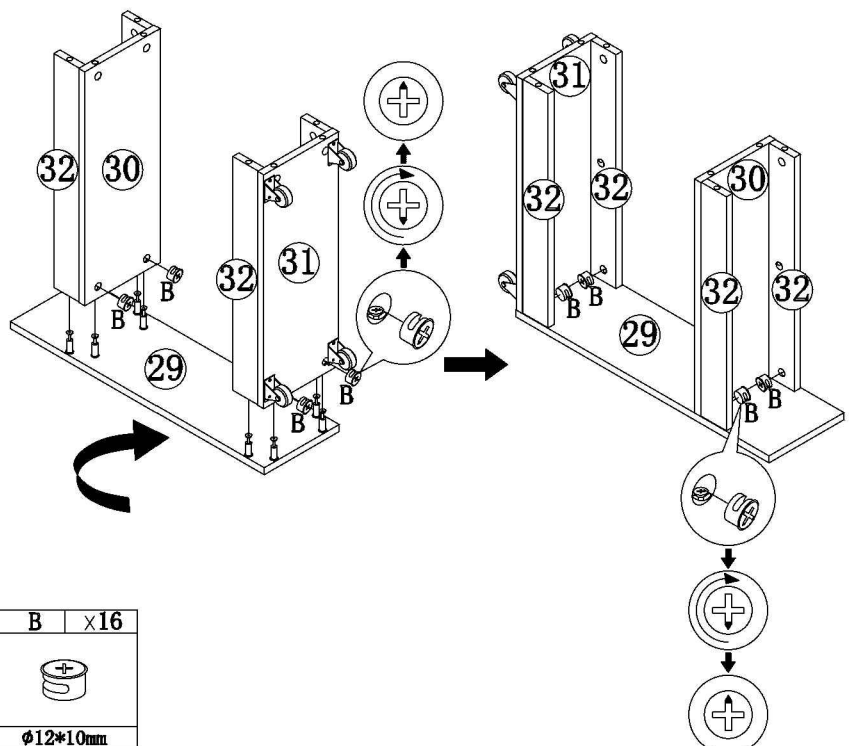
B	×4
φ12*10mm	

40



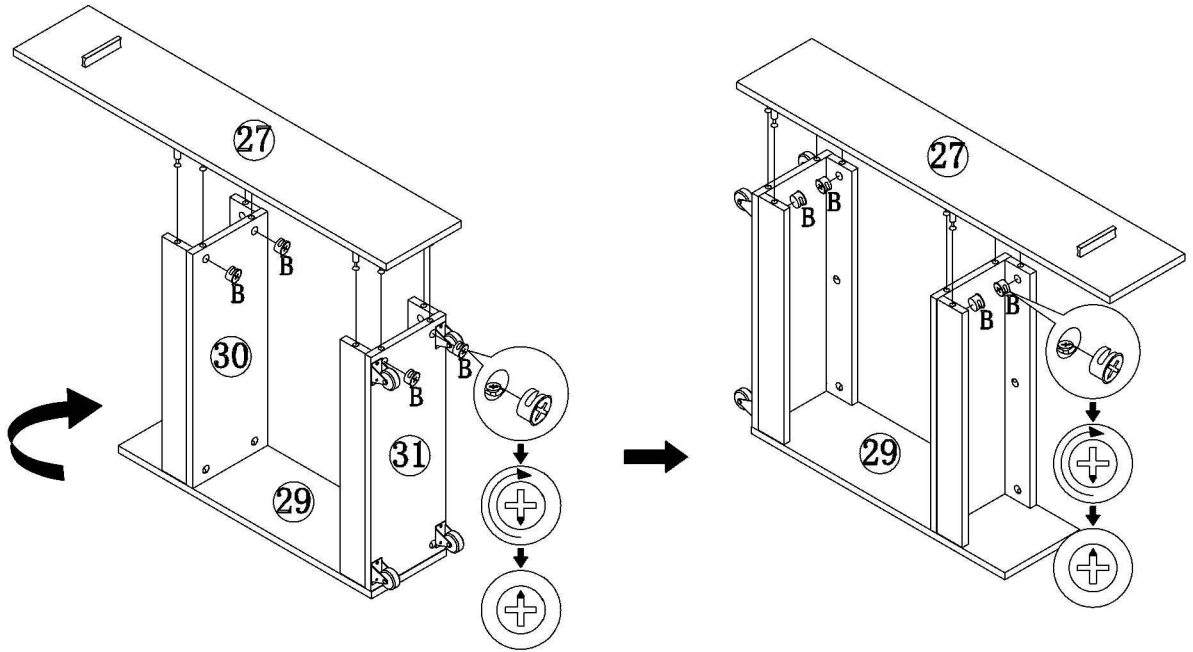
B	×4
φ12*10mm	

41

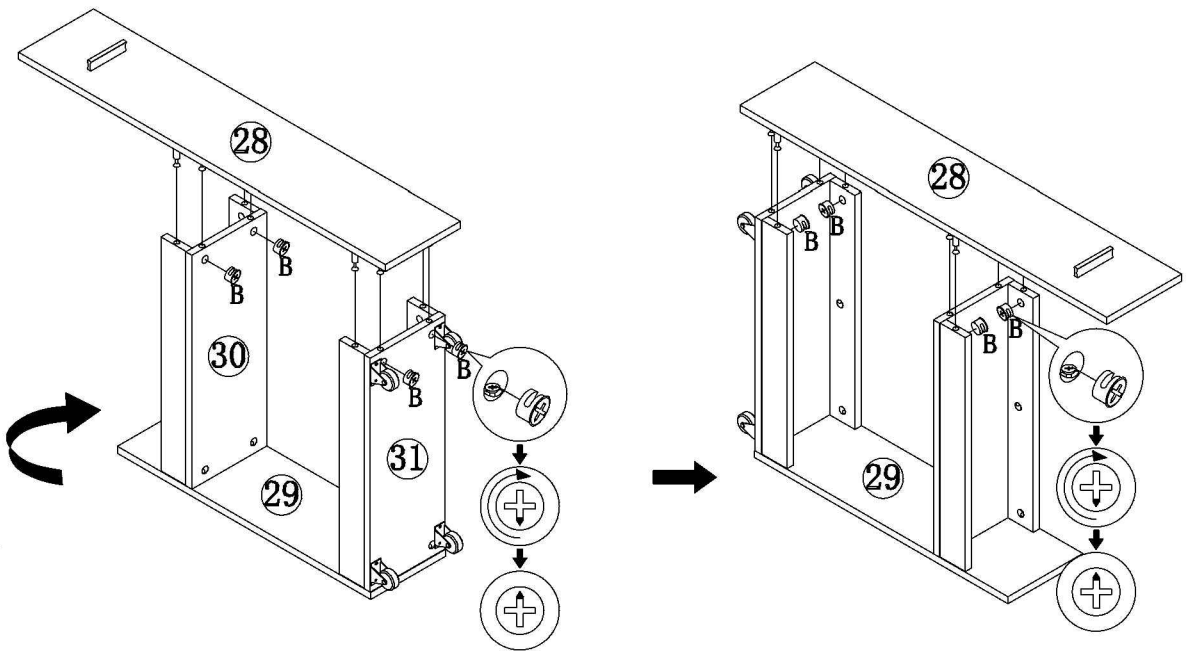


B	×16
φ12*10mm	

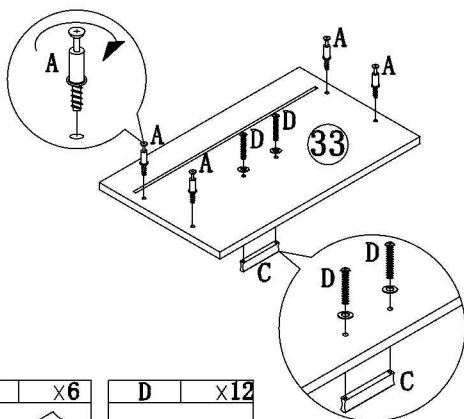
## 42



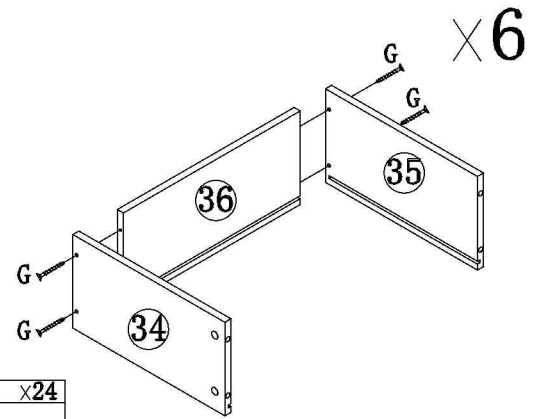
## 43



## 44



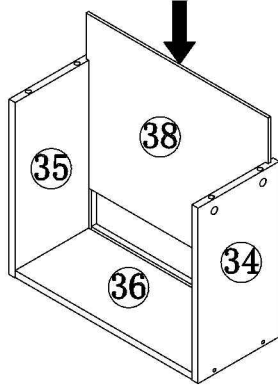
## ×6 45



# ASSEMBLY INSTRUCTION

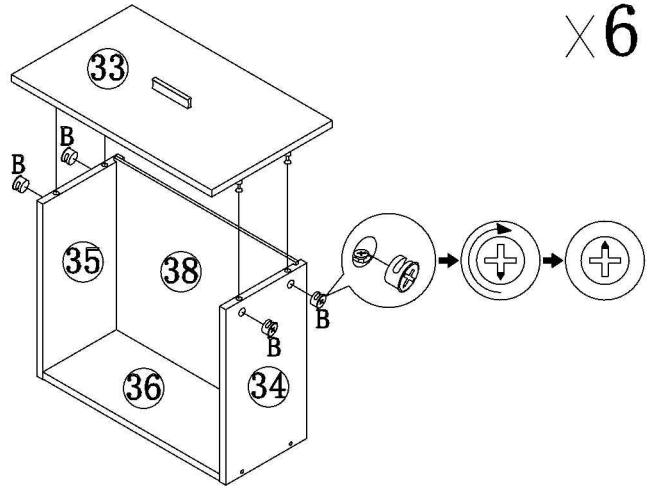
# P14

## 46



## ×6

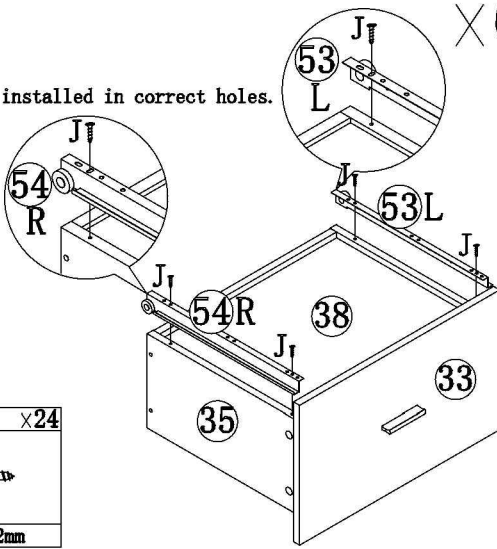
## 47



## ×6

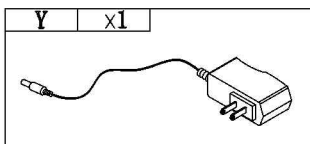
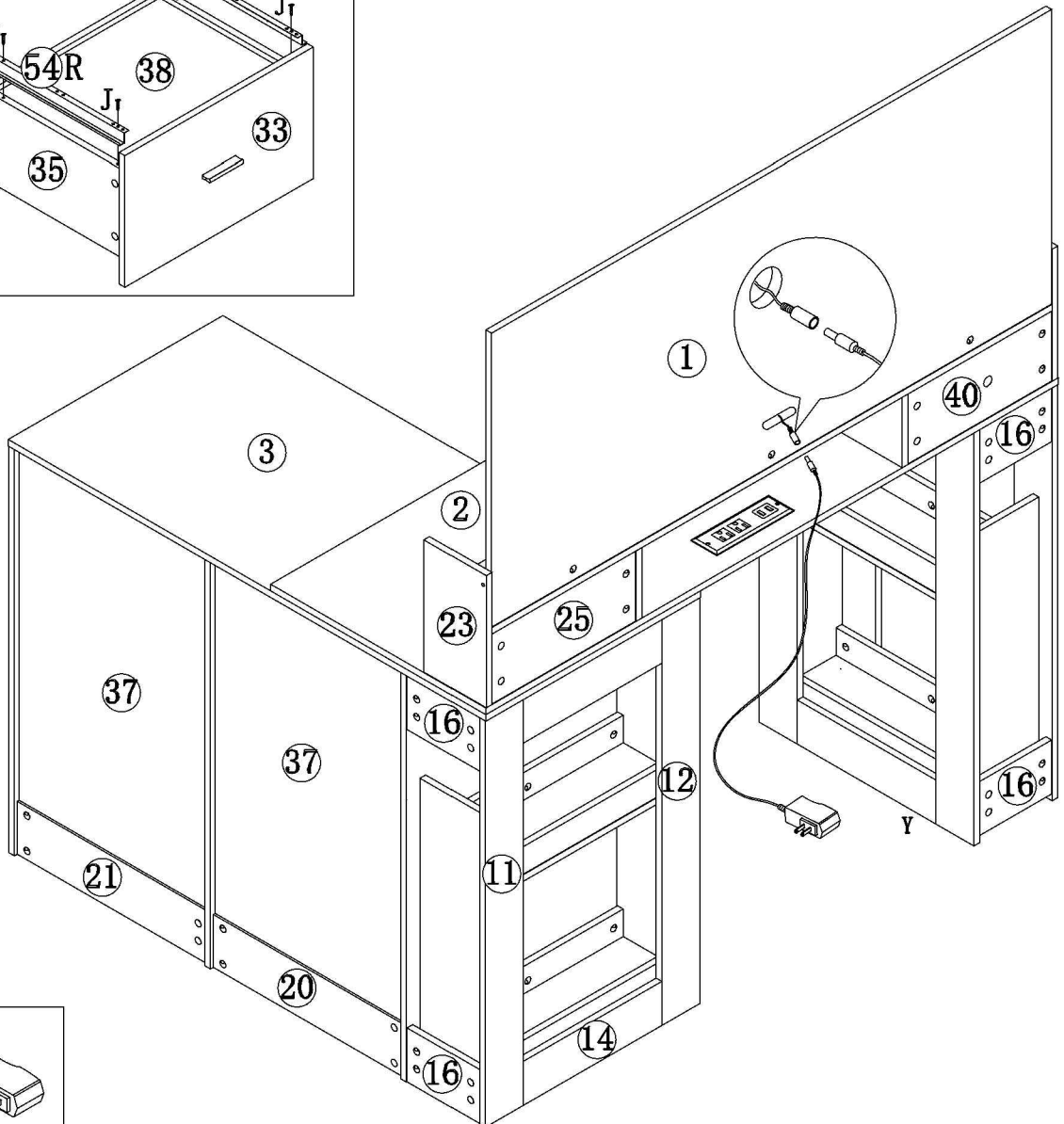
## 48

Must be installed in correct holes.

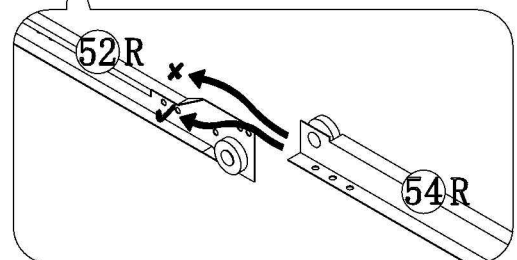
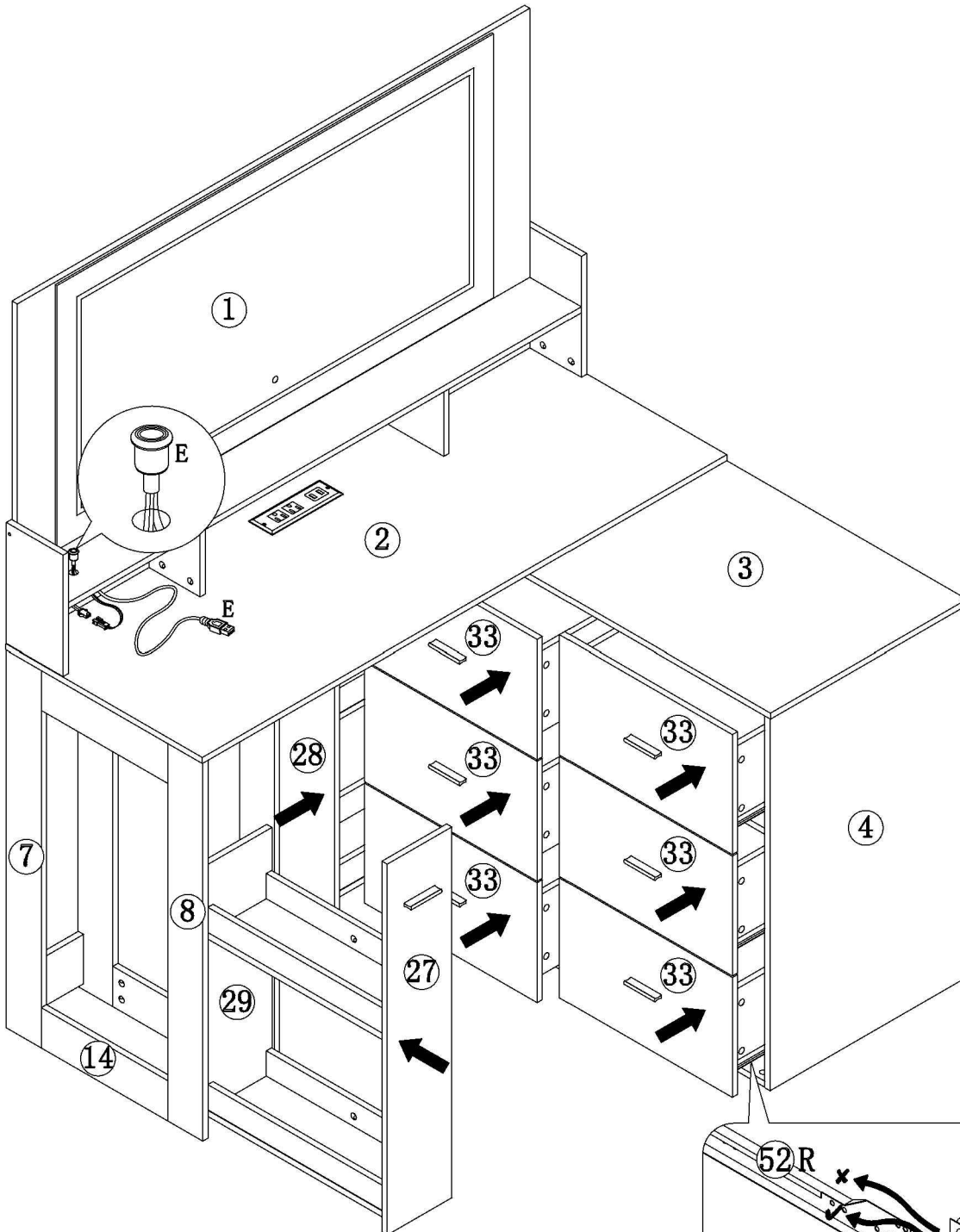


## ×6

## 49



50



Place drawer member rollers over cabinet member rollers and insert drawer into cabinet.

