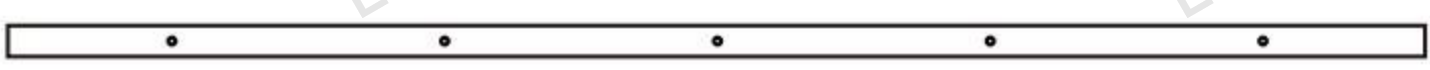
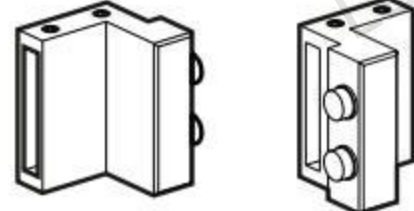
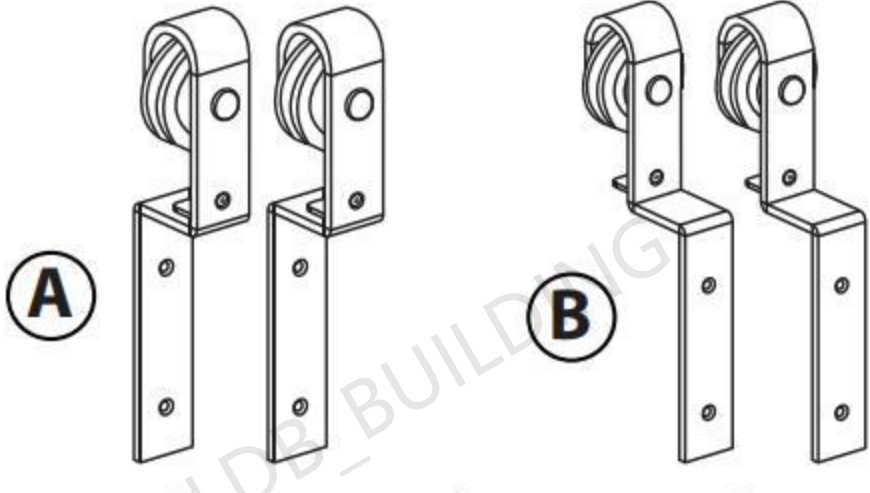

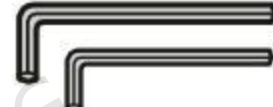

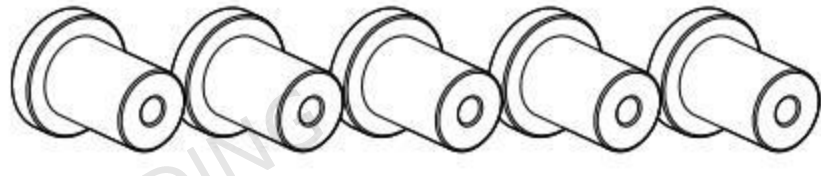

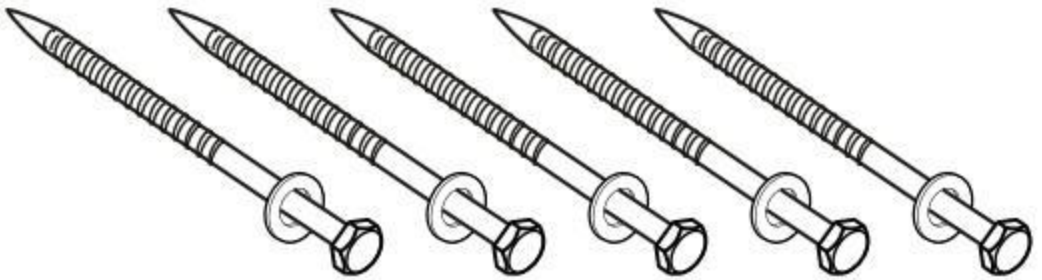
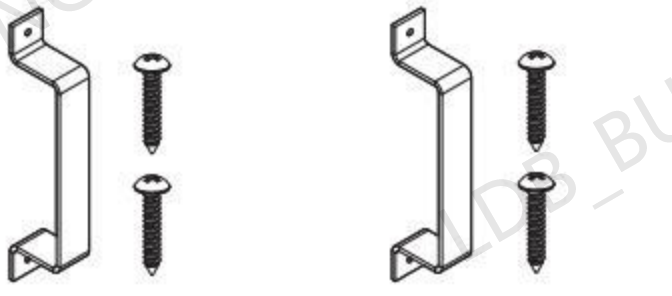












Barn Door hardware installation

Product Content

<p>1.1, Rail </p>	<p>4.1, 2 x Door Stopper </p>
<p>2.1, 4 x Hanger </p> <p>2.2, 8 x Door Screw </p>	<p>4.2, 2 x Hex Key </p> <p>4.3, 1 x Floor Guide </p>
<p>3.1, Wall Spacer </p> <p>3.2, Anchor (For concrete wall) </p> <p>3.3, Lag Bolt (For wood stud) </p>	<p>5.1, 2 x Handle </p> <p>5.2, 2 x Flush Pull </p>

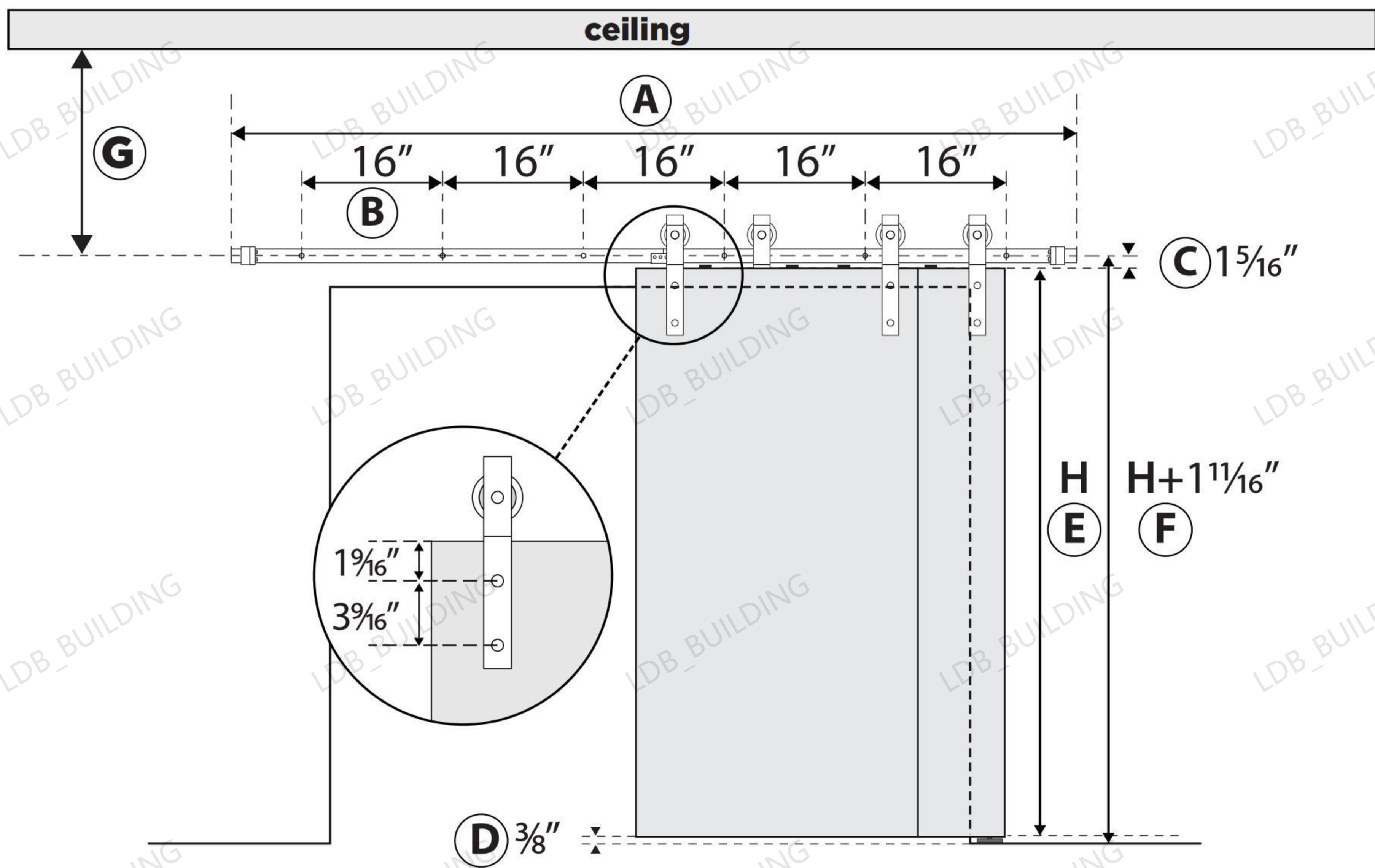
Tools Needed

<p>1, Pencil </p>	<p>5, Level </p>
<p>2, Wrench </p>	<p>6, Drill </p>
<p>3, Phillips Screwdriver </p>	<p>7, Drill Bit $\text{Ø}3/8''$ </p> <p>$\text{Ø}7/32''$ </p>
<p>4, Plumb Bob </p>	<p>8, Tape </p>

NOTICE Please retain these instructions for future reference.

- Do not stand on or use any part of this item as a step ladder.
- Firmly secure all bolts, screws, and knobs before use.
- Reconfirm that all bolts, screws, and knobs are secure every 90 days.
- Fasten screws loosely during initial assembly. Do not firmly tighten the screws until the item is completely assembled.
- Do not use or store this item in the proximity of open flame or flammable/combustible chemicals.
- Be aware that some parts are heavy and have sharp edges.
- If any parts are missing, broken, damaged, or worn, stop using this item until repairs are made and/or factory replacement parts are installed.
- Do not use this item in a way inconsistent with the manufacturer's instructions as this could void the product warranty.

Measurements



- Ⓐ Overall Rail length is 5ft/6ft/6.6ft/7ft/8ft.
- Ⓑ The gap between each pre-drilled hole is 16".
- Ⓒ Distance from door top side to holes on the wall is 1 5/16".
- Ⓓ Distance from the bottom of the door to the floor is 3/8".
- Ⓔ **Door height is H.**
- Ⓕ **The height of holes on the wall is H+1 11/16".**
- Ⓖ **Minimum distance from the rail hole to the ceiling is 6"(J shape).**

Installation Steps:

The following installation steps take a **6.6 ft** track as an example. Please refer to the **[Number of Parts in Different Track Sizes]** for the quantity of accessories for different sizes of tracks

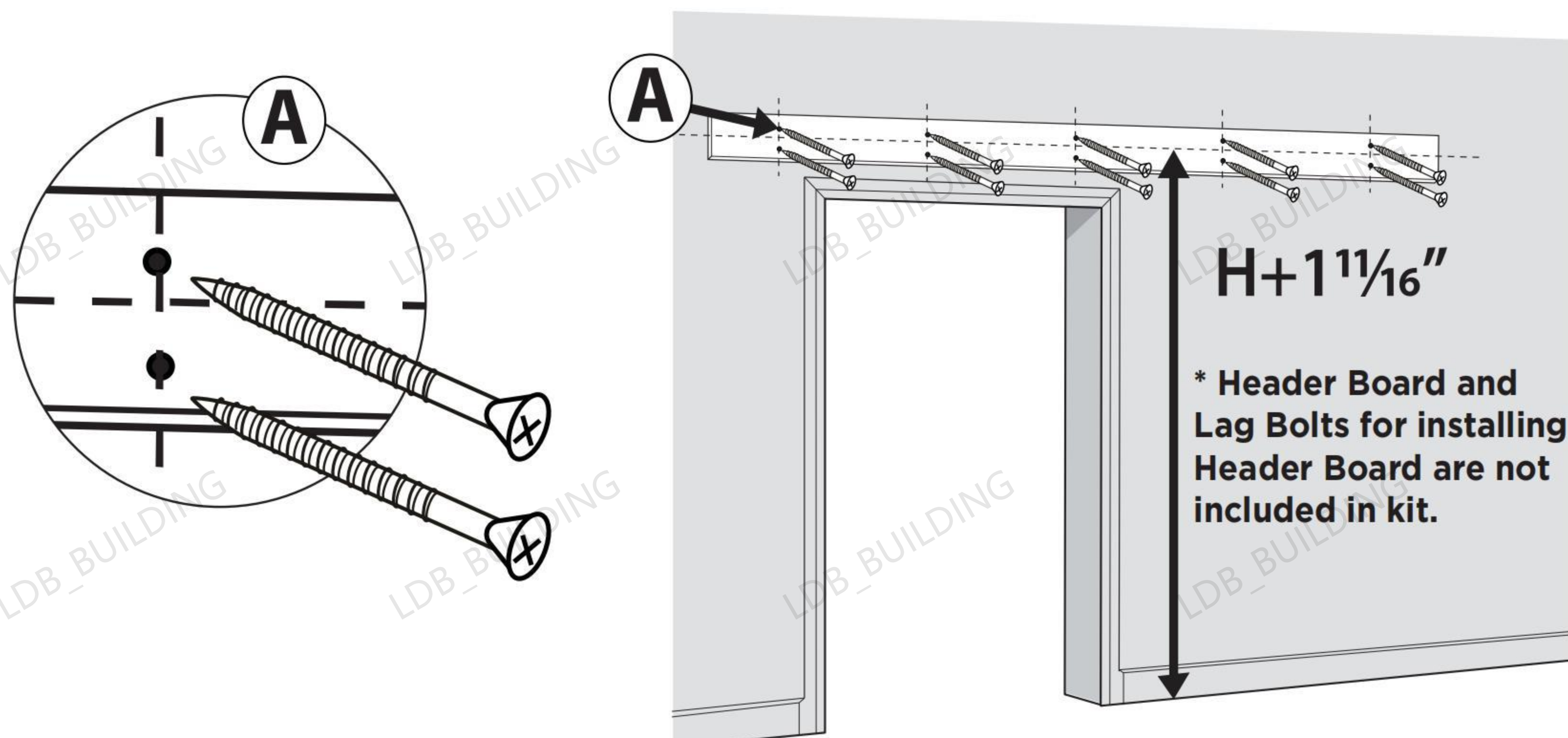
Instructions

It is very important to determine whether you will be installing a Header Board prior to installing the track.

Due to many overlapping factors such as the location of wall studs (Our rail come with pre-drilled holes every 16" on center), the weight of a barn door and the various types of trim used in homes, we recommend using a Header Board in all situations.

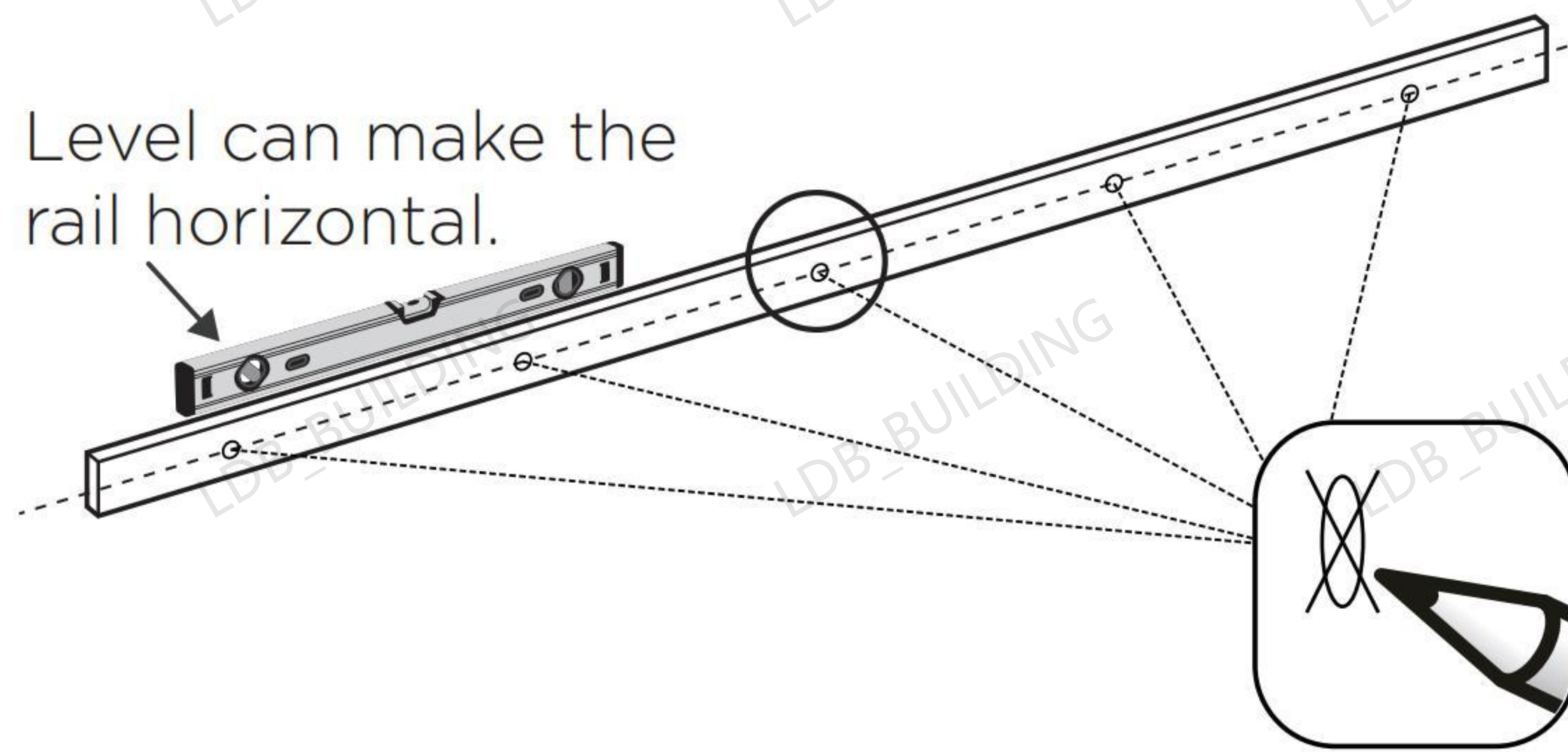
Please install a 1" x 4" or 1" x 6" Header Board above the door opening directly into studs.

Header Board must be solid wood and measure at least the full length of the track or longer

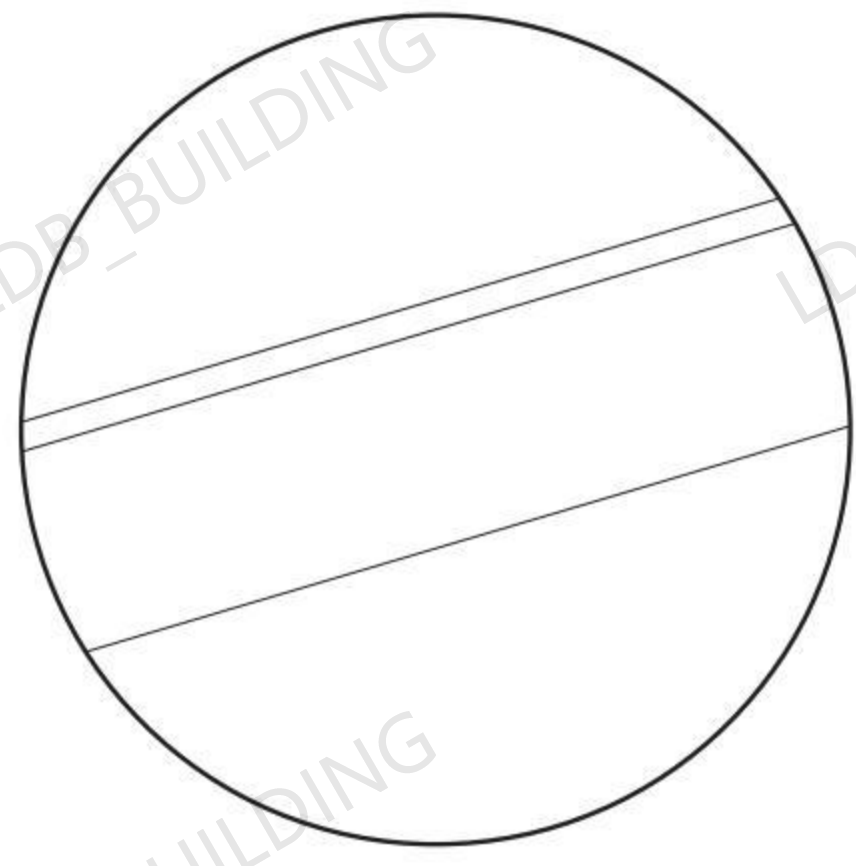


Step-1

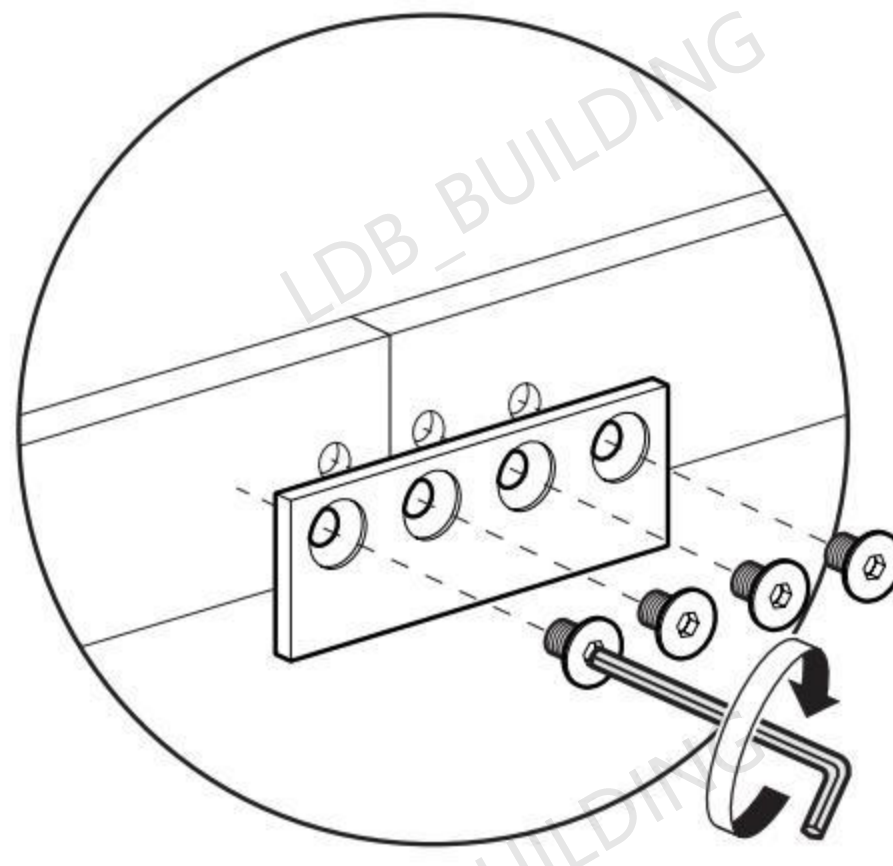
Place the rail against the wall, and use a pencil to mark where the holes should be. Make sure the height of holes on the wall is $H+1\frac{1}{16}"$.



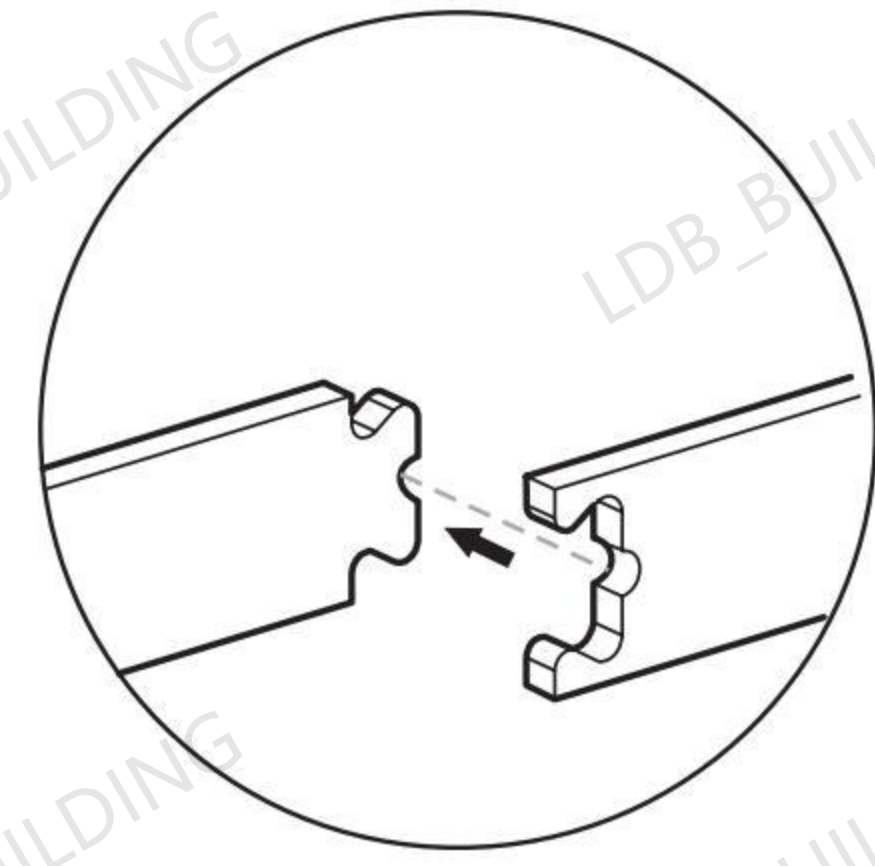
Please choose the installation method for the track based on the type of your track accessories.



One-Piece Track



Connector connection method



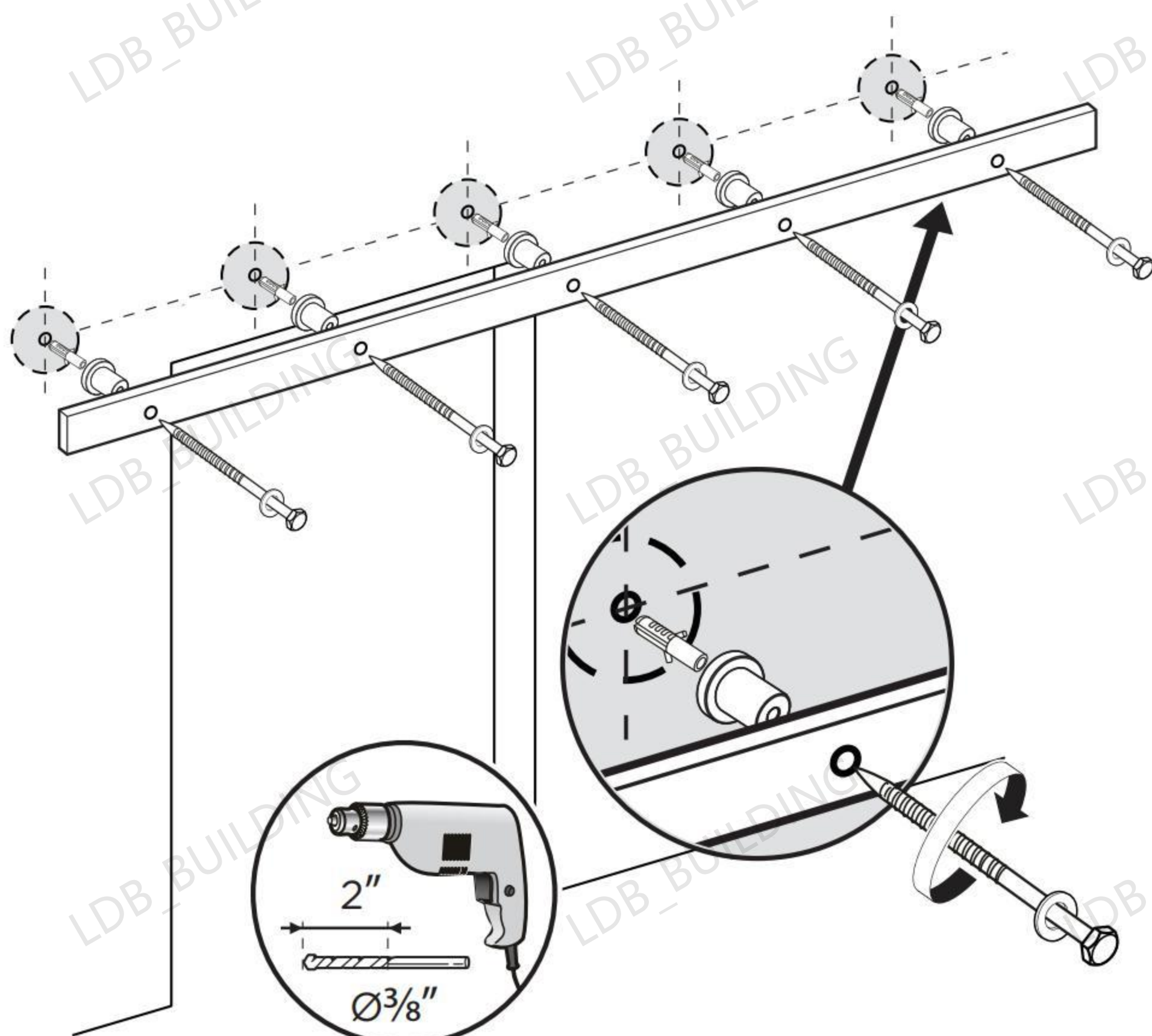
Wedge embedded connection method

Step-2

We provide 2 kinds of screws for you to install rail onto concrete wall or drywall.

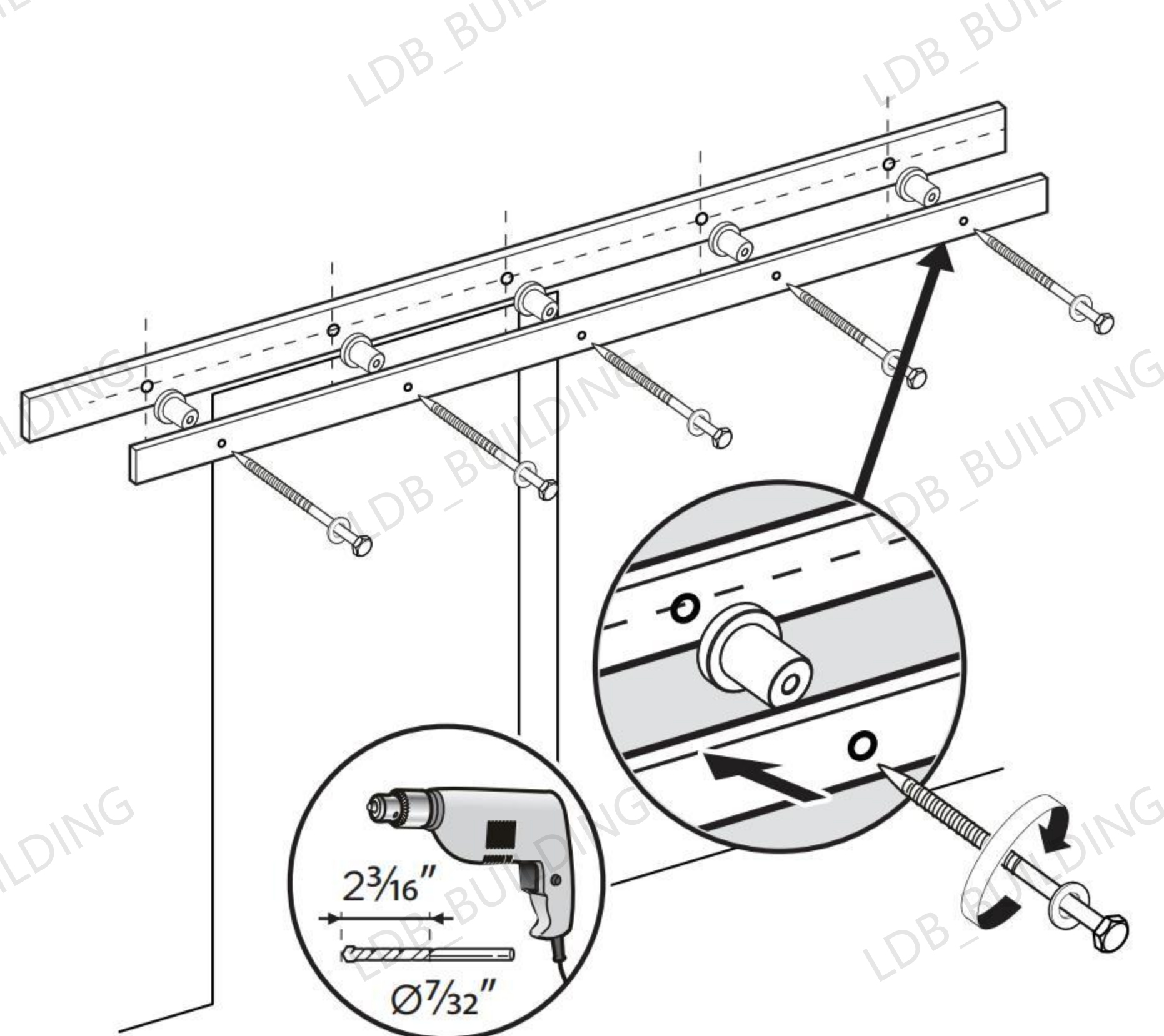
A Concrete wall Installation.

Install the anchor to holes on the concrete wall first, then install lag bolt to anchor.



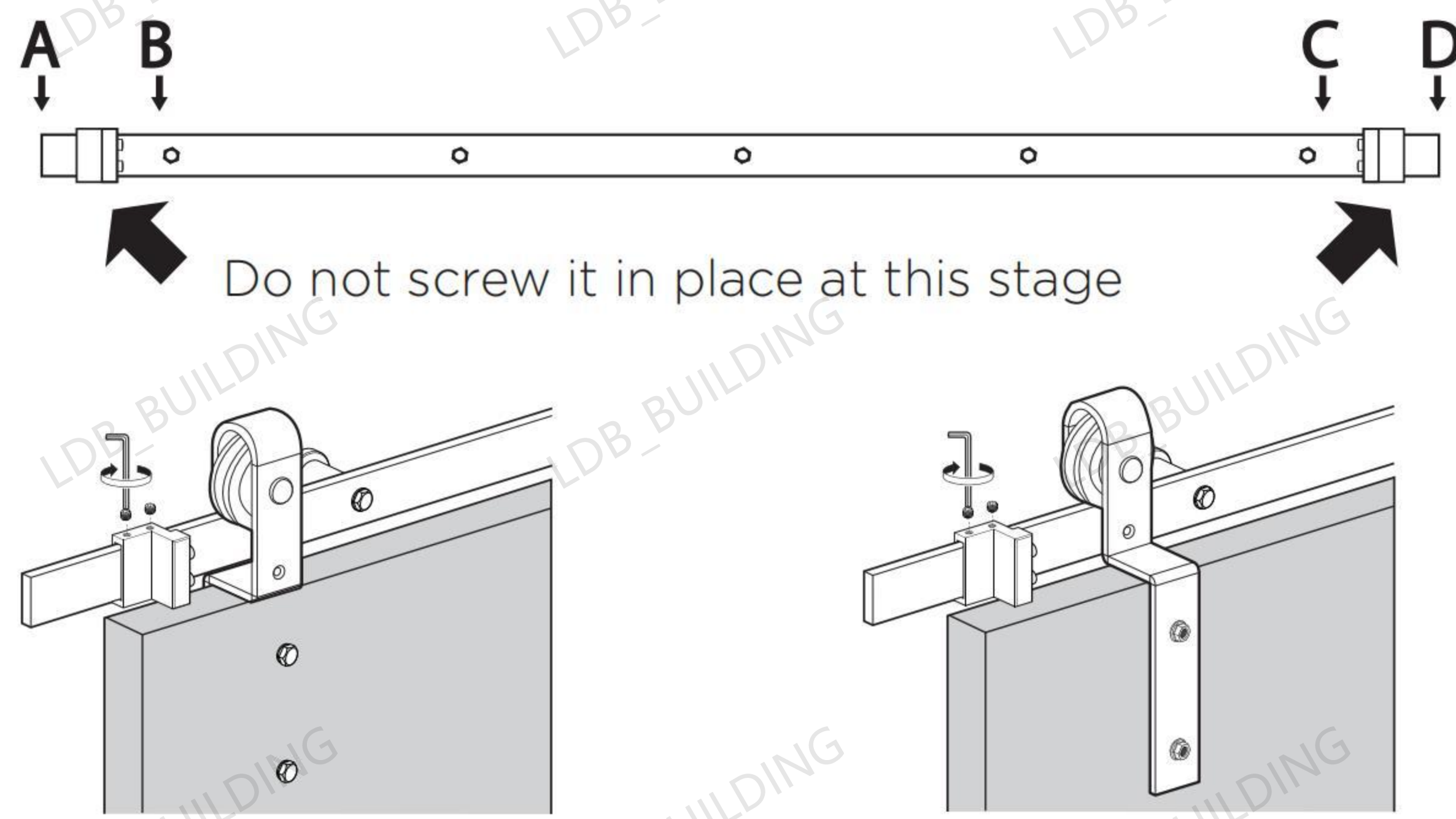
B Drywall Installation.

Install the lag bolt to wood stud or header board directly.



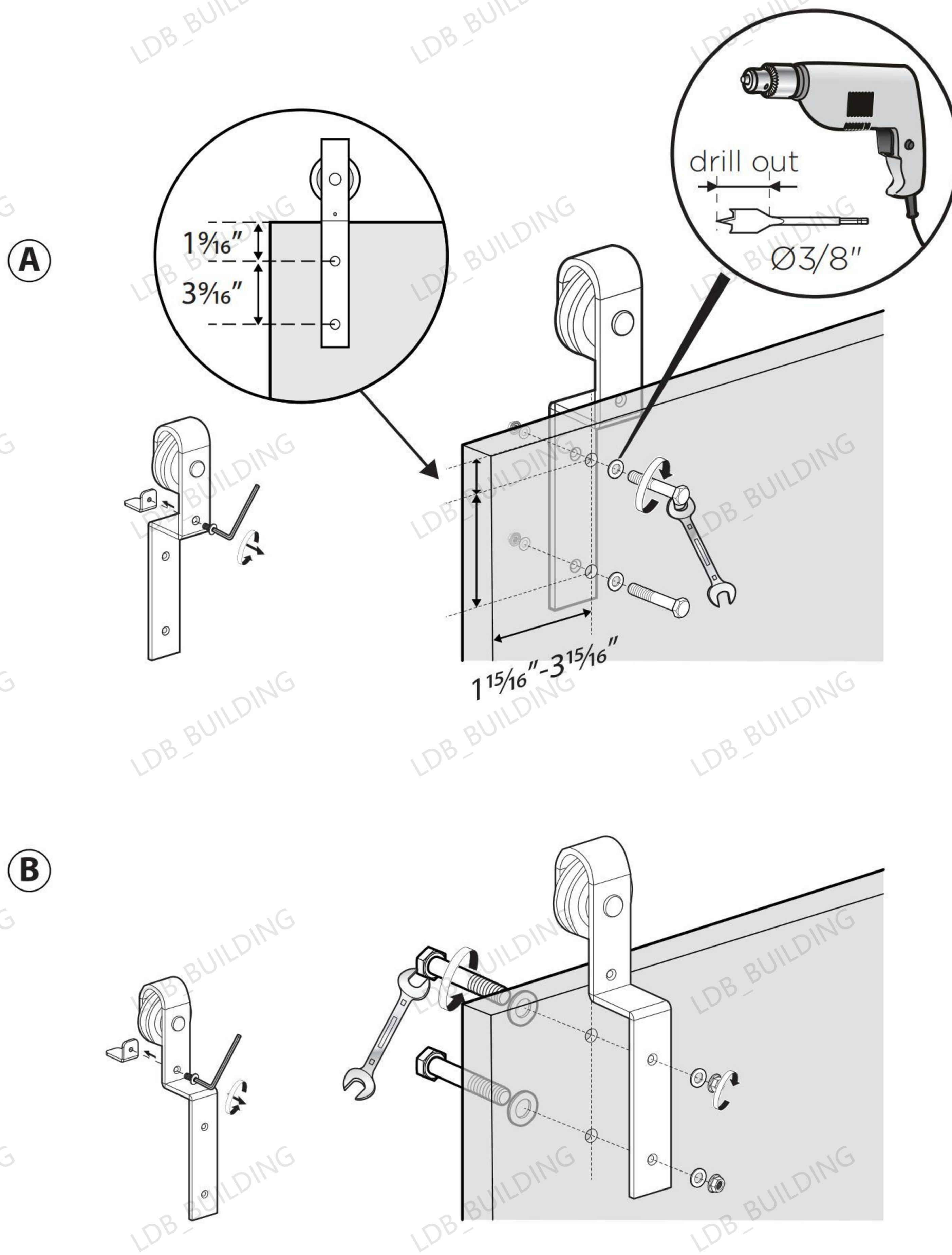
Step-3

Insert door stoppers into rail. Install door stoppers between A-B and C-D. Door stopper is used to prevent the hangers coming out of the rail.



Step-4

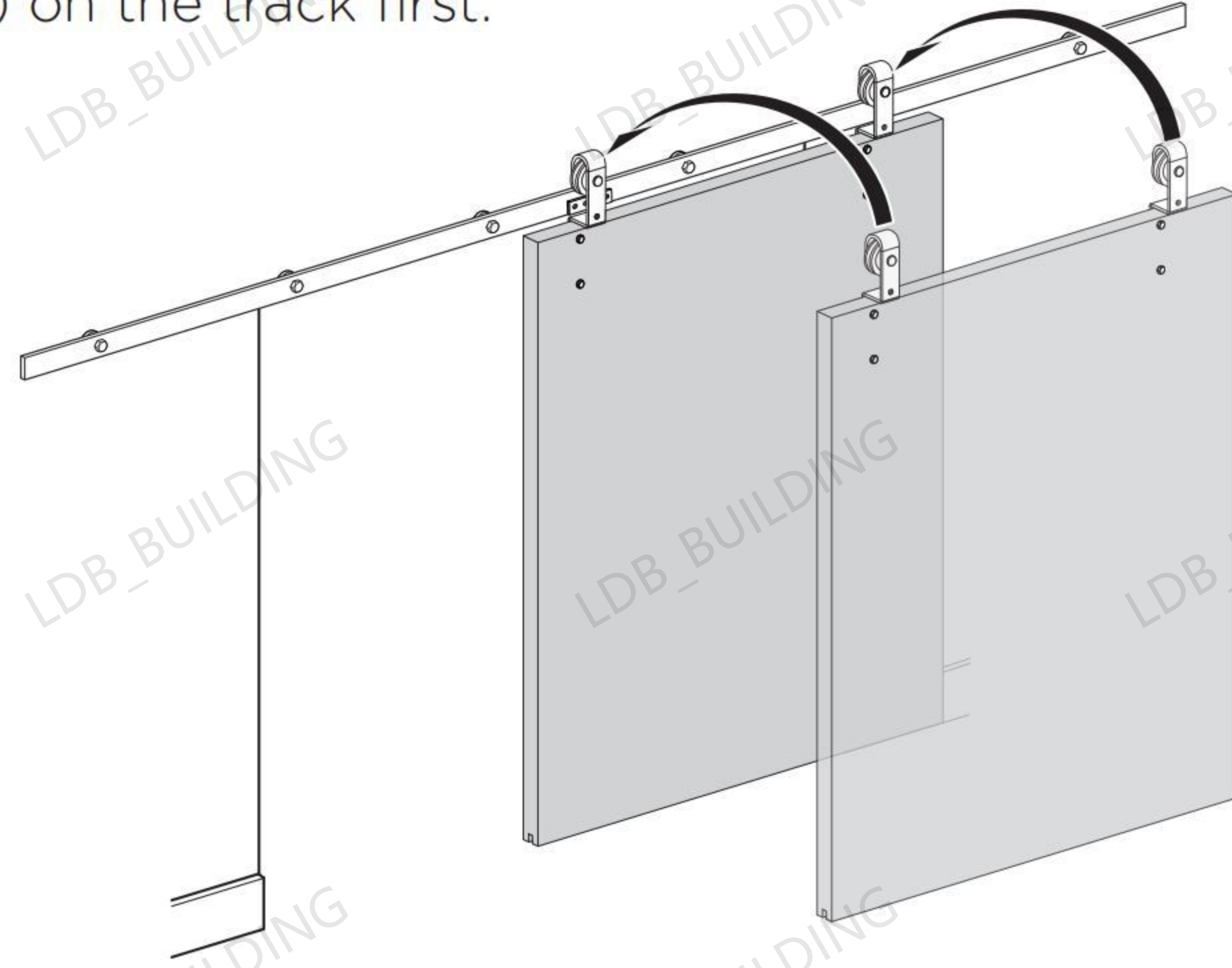
Install the hangers onto the door.



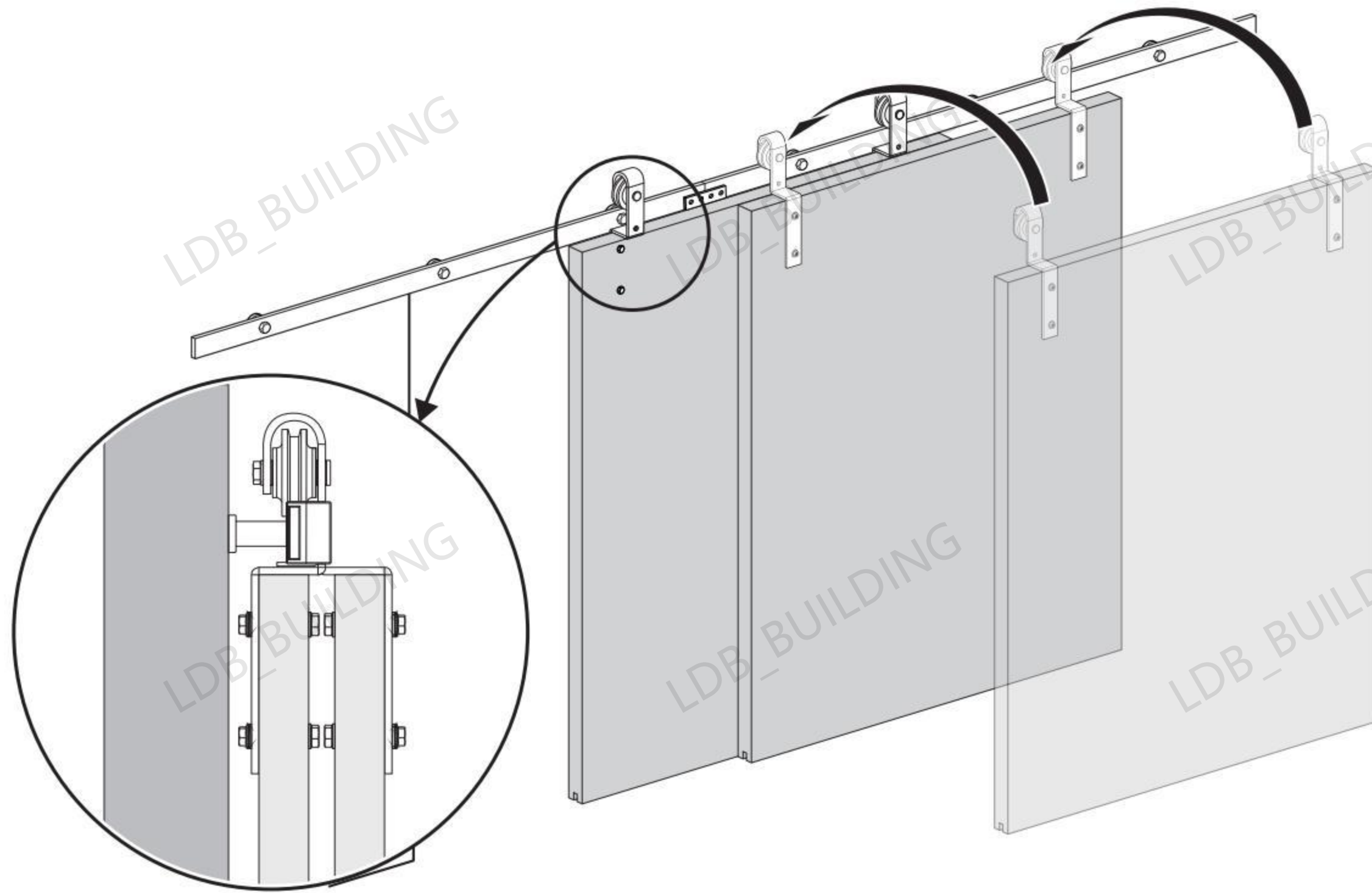
Step-5

Hang the door over the rail.

- (A)** Put the pulley (A) on the track first.



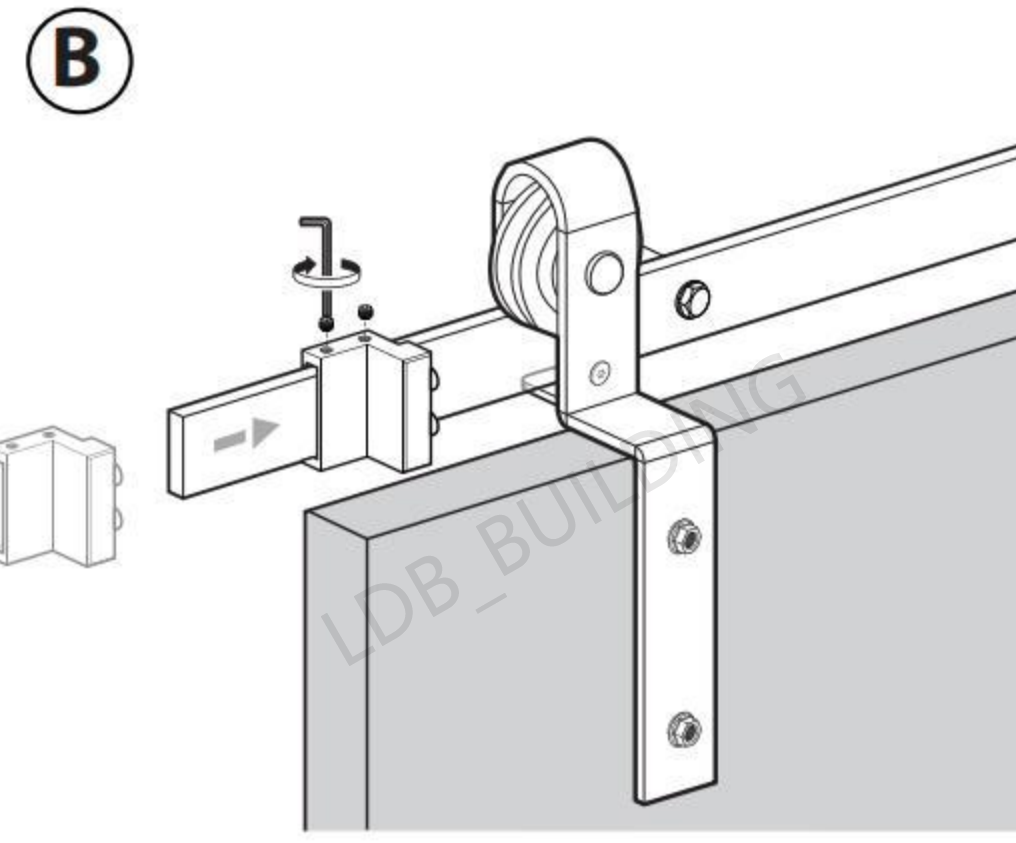
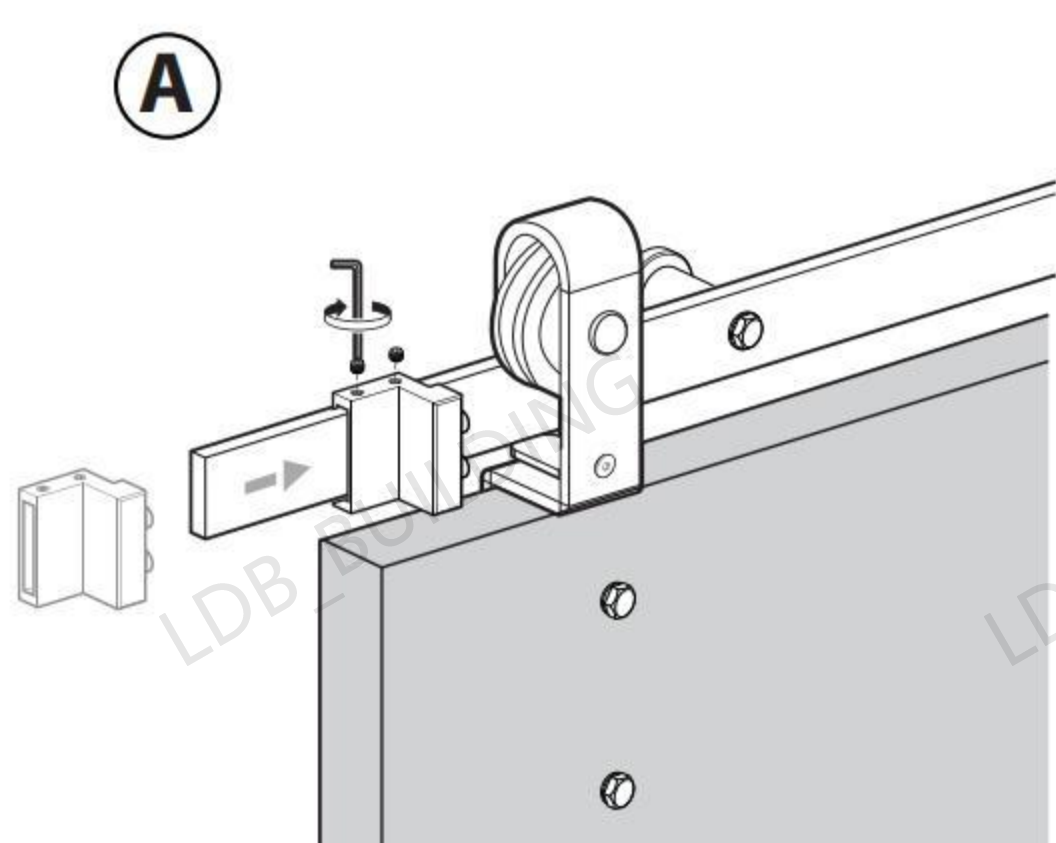
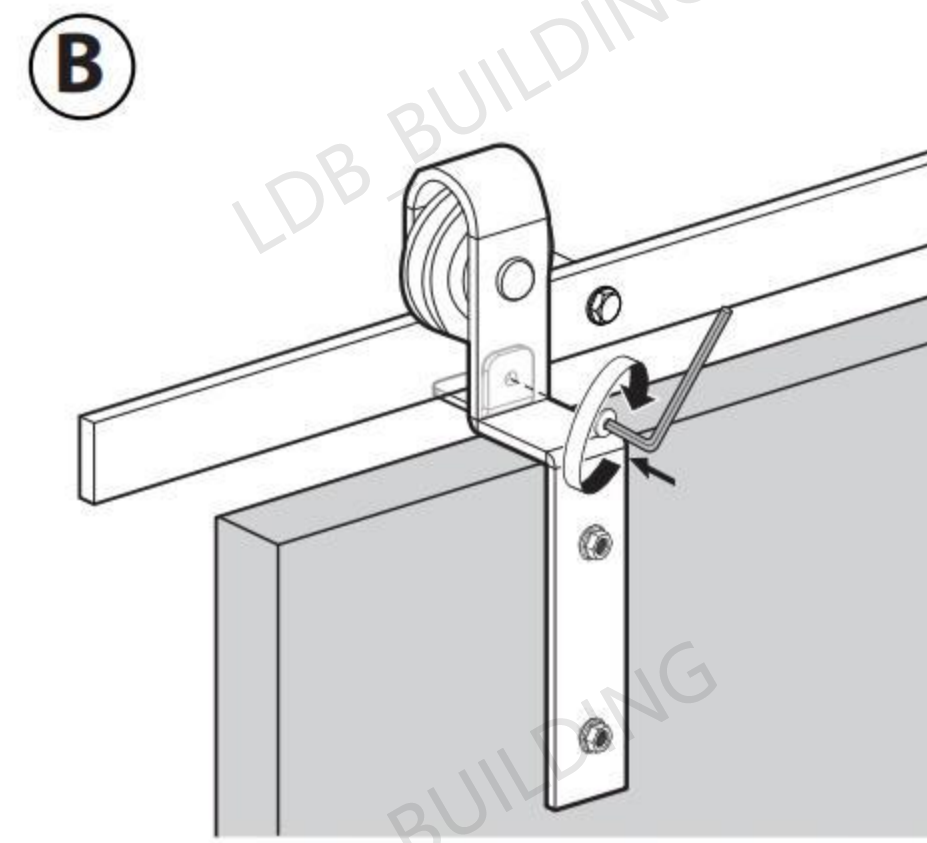
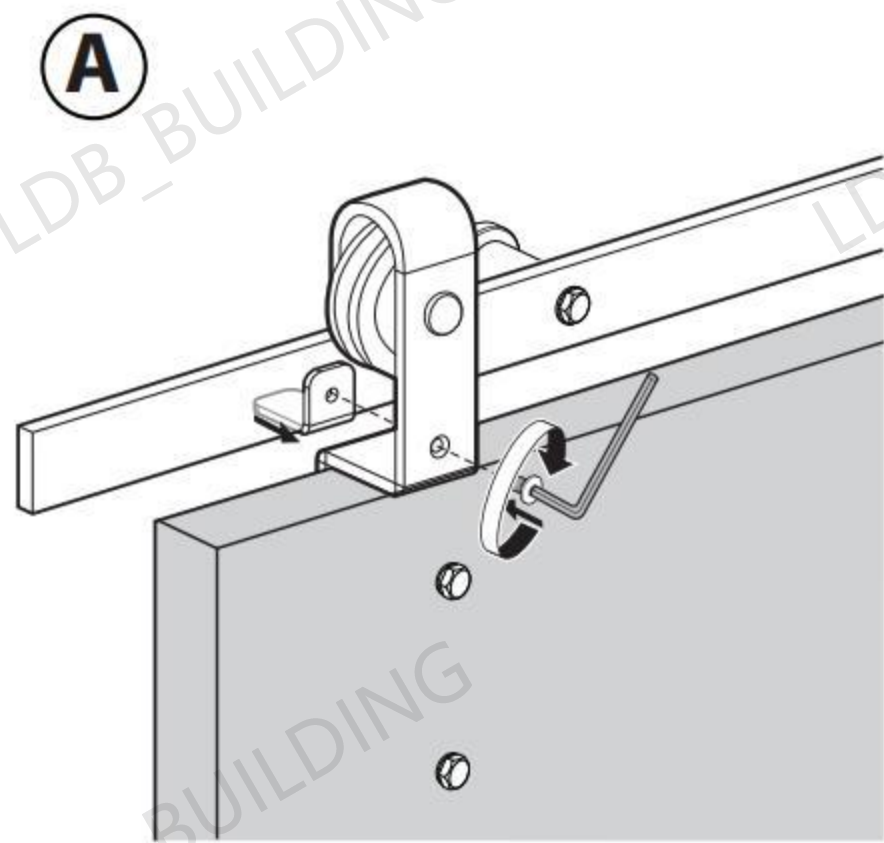
- (B)** Next, Put pulley B on the track, so that the pulley B and pulley A cross. As shown in the figure below.



Step-6

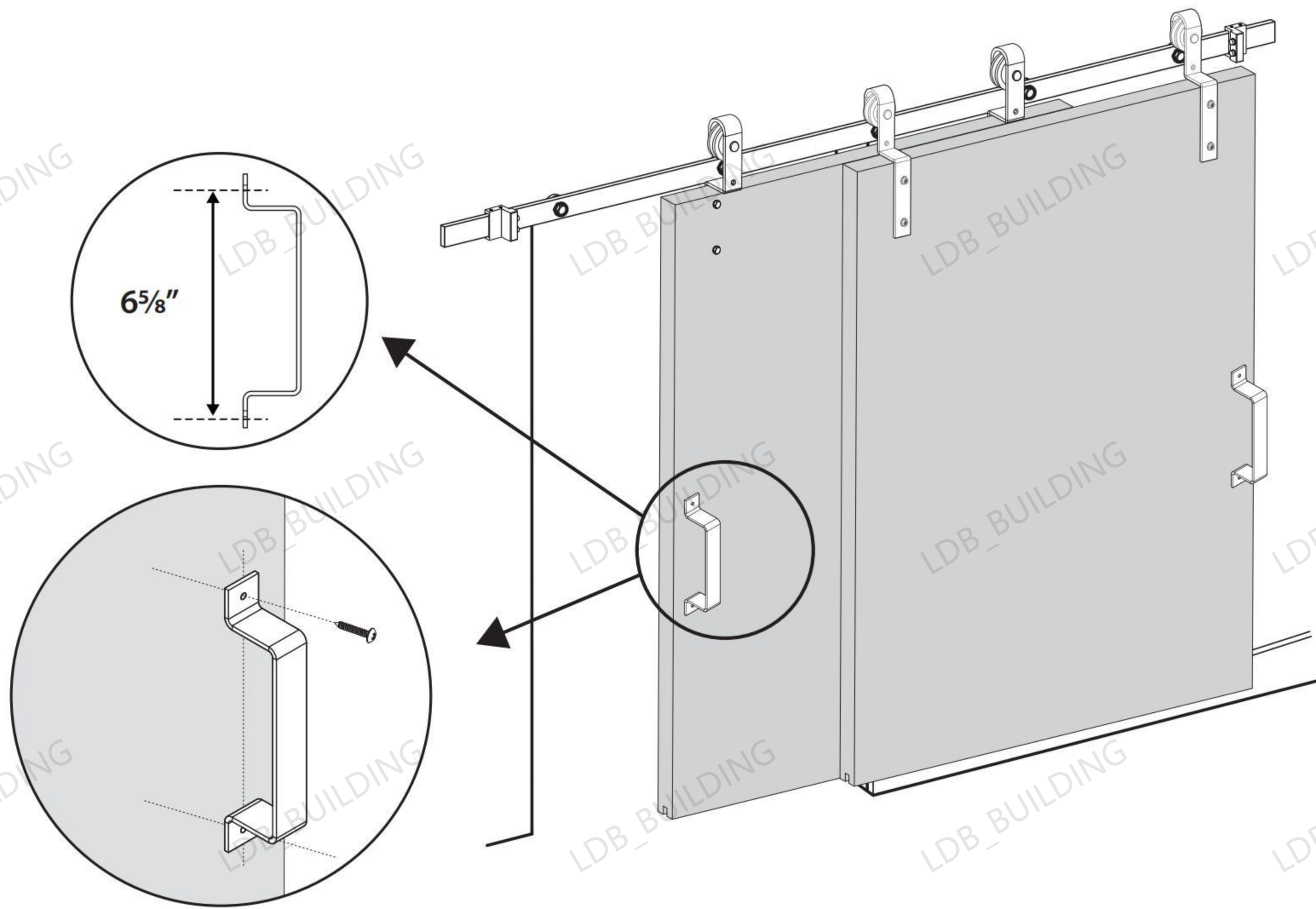
As shown in the figure, after all the pulley blocks are connected to the track, the anti-bouncer are fixed with hexagonal screw rod.

Adjust the 2 door stoppers to find a suitable position, Use the hex key to screw the door stoppers in place.



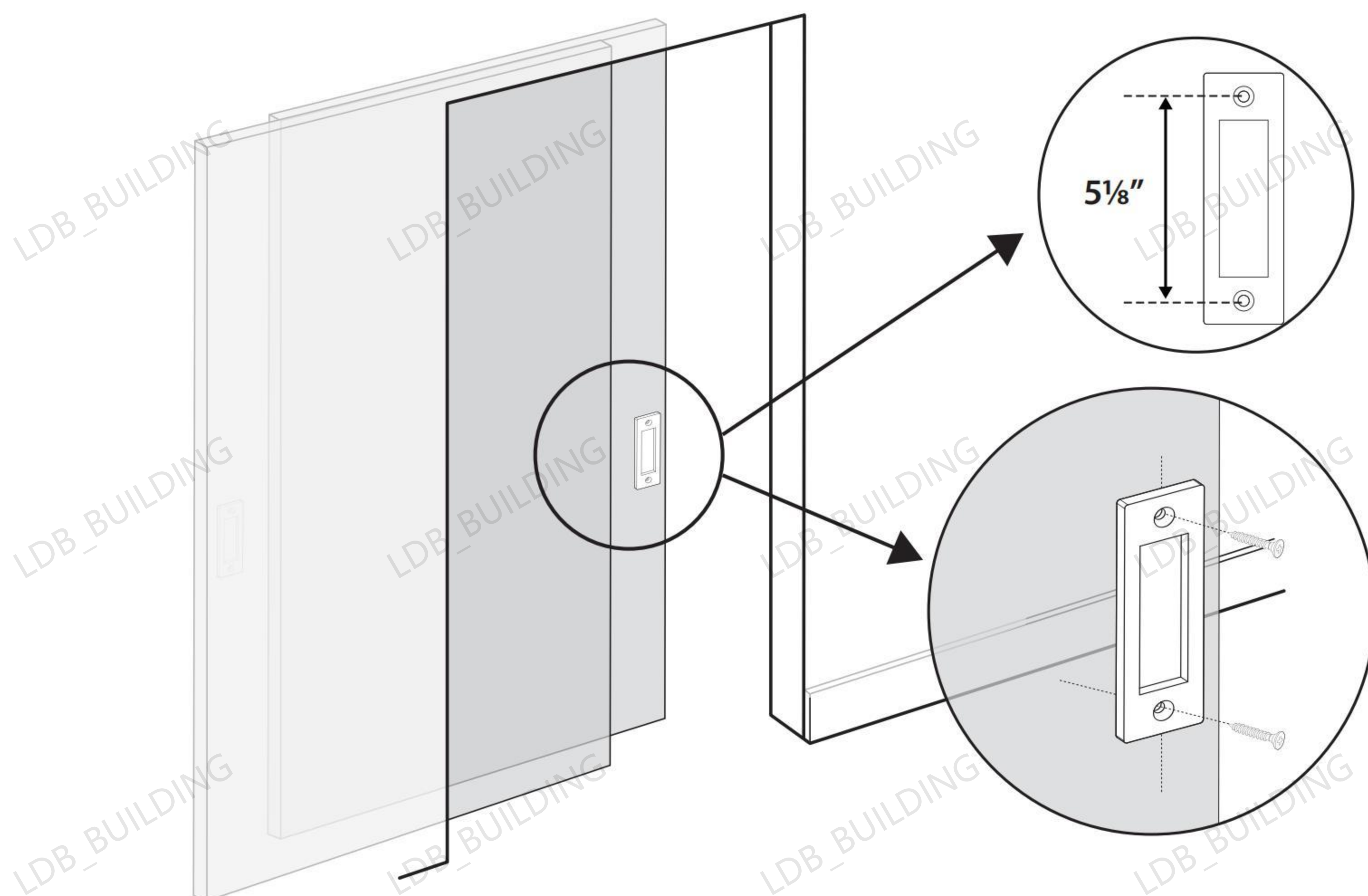
Step-9

Install the handle at suitable position.



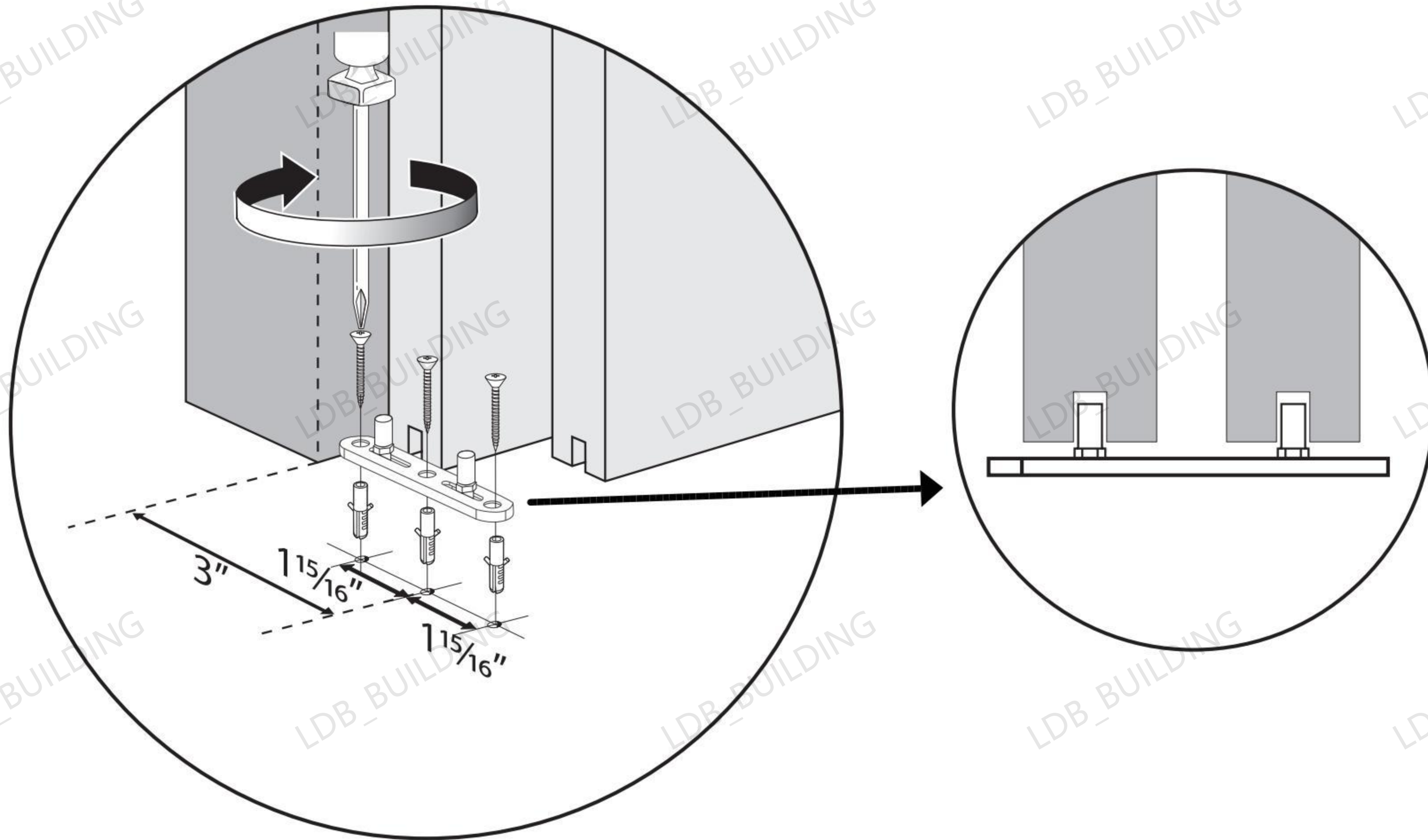
Step-10

Install the flush pull at suitable position.



Step-10

Install the floor guide. Put floor guide on the floor first to fix a suitable position and make a mark so that the tip of the floor guide can work well in the slot. Use suitable drill bit to drill holes on the floor where the mark is, and then install the floor guide.



WARNING

- Failure to wear proper safety gear (i.e., eye protection) may result in serious injury or death. Always wear proper safety gear before using power tools.
- Improper operation of power tools may result in loss of control, serious injury or death. Always ensure you have complete control of the power tool and the work area is free of hazards before operating a power tool.
- Lack of secure clamping of the door may result in unexpected movement of the door, loss of power tool control and serious injury or death. Always securely clamp the door in place before cutting, or drilling, the door.
- Lack of, or improperly installed Anti-jump Disc may result in the door coming off the track and cause serious injury or death. Installation of Anti-jump Discs are required for safe operation of this hardware. Installed properly, these discs will keep the door securely attached to the track.

CAUTION

- Mishandling of heavy objects (i.e., doors) may cause a loss of balance and serious injury. Always be sure you have a secure hold on the object and are balanced before moving the object. Always wear safety shoes when lifting heavy objects.
- Getting body parts (i.e., hair, fingers) caught in moving parts may cause pinching and serious injury. Do not put fingers in parts that may move and always remove or contain anything on your body that may become entangled with a moving part.
- Closing sliding doors with your hand on the end of the door may result in your hand, or fingers, getting caught between the door and other solid objects (i.e., another door, molding) causing serious injury. Always use the door handle to close doors.

Usage Statement:

Use of excessive force when opening, and closing, the door(s) may result in damage to the hardware. Always hold the handle and gently open and close the door(s).