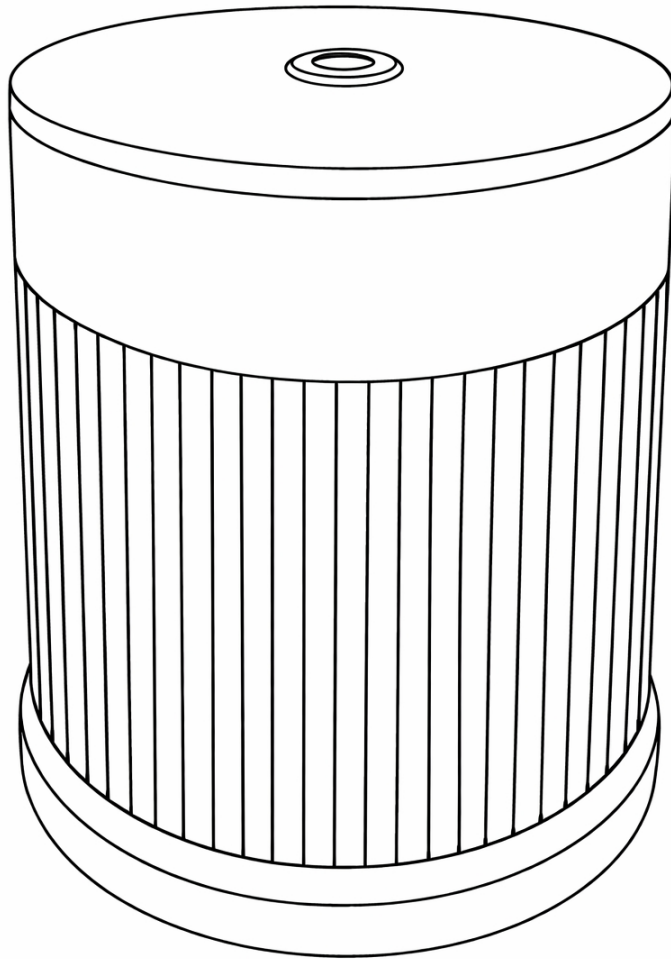


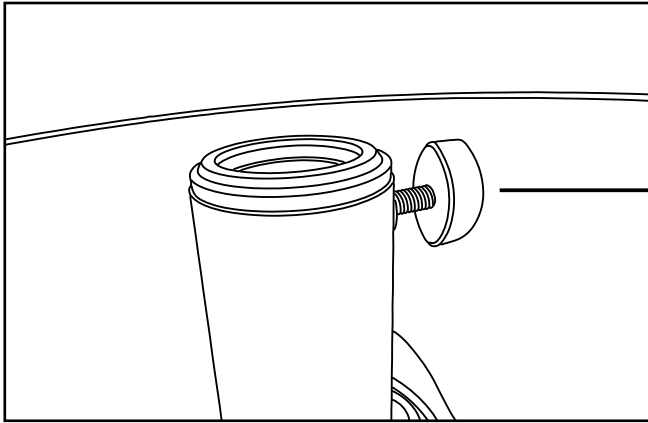
SIDE TABLE WITH UMBRELLA HOLE



Use with the water weight bag.

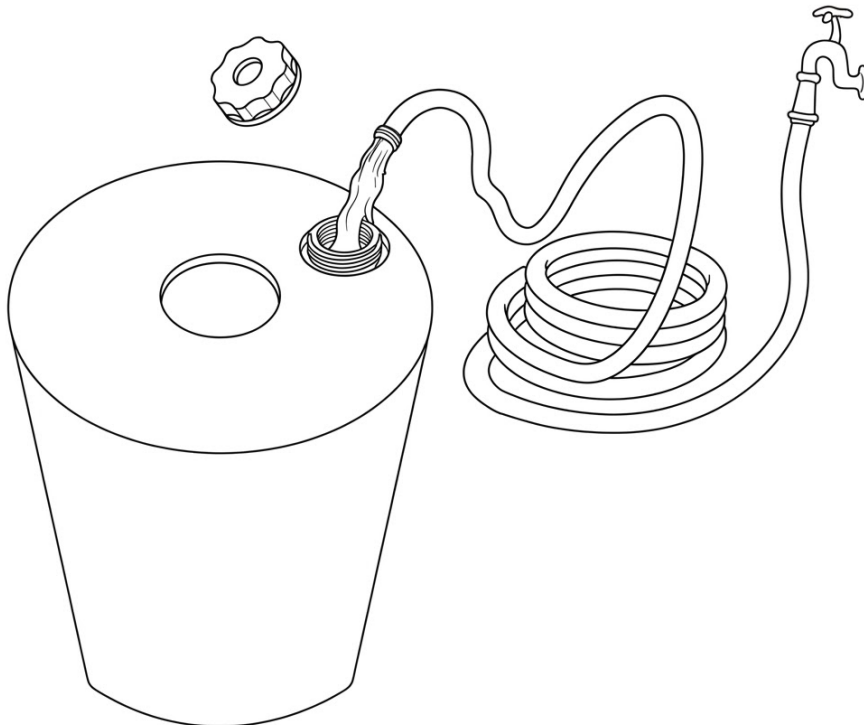
Instructions

- 1 Unscrew the knob.

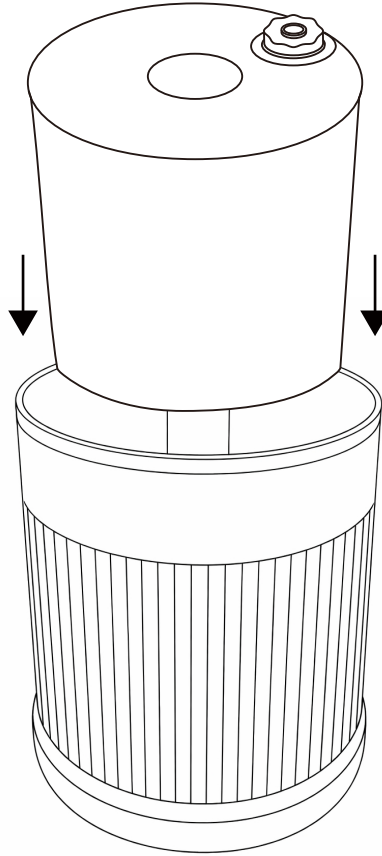


This knob is used to secure the umbrella shaft.

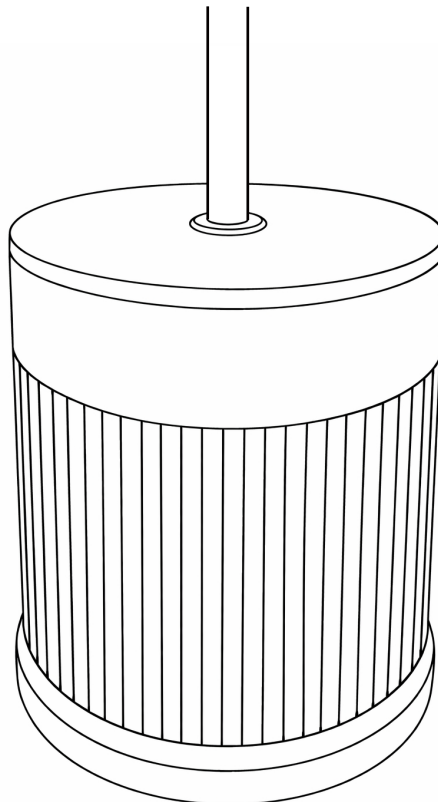
- 2 Fill the water bag with water.



3 Place the water-filled bag inside the side table. Then turn the knob back.



4 Close the tabletop—it's now ready to use as an umbrella stand!



THANK YOU FOR SHOPPING WITH US!

WARRANTY INFORMATION

- We offer a limited number of free extended 1-year warranties, including VIP customer service privileges.
- From the activation date, we offer a no-questions-asked warranty against defects in materials and workmanship. During this period, we will repair or replace any defective component at our discretion.
- This warranty is limited to manufacturing defects associated with the products and does not cover any damage caused by improperly installed handled or abused by user, nor to any unit which has been repaired or altered by unauthorized repair companies.
- Under no circumstances will the customer be entitled to warranty consequential or incidental damages. This limited 1-year warranty will only grant customers certain legal rights; Customers may have other rights according to different state laws.

If you have any questions or need assistance, feel free to contact our brand's official customer service anytime:

To help us locate your order, please include your Order Number. Our 24-hour customer service team will be happy to assist you, and we typically respond within hours.

Customer Service Team