

**Avery® 36 x 20 Double Bowl
Apron Kitchen Sink**

❑ **1180DB3620.291**

- Hand Crafted Fine Fire Clay Apron Sink
- Finished on all 4 sides
- Offset drains
- Undermount or flush mount installation
- 39" (991mm) cabinet required
- Protective stainless steel bottom grids and drains included
- 5 year limited warranty on sink;
1 year on included accessories



Nominal Dimensions:

35-3/4" x 20" x 10"
(908 x 508 x 254mm)

Each Bowl Size:

16-11/16" (424mm) wide
18-1/4" (464mm) front to back
8-3/4" (223mm) deep

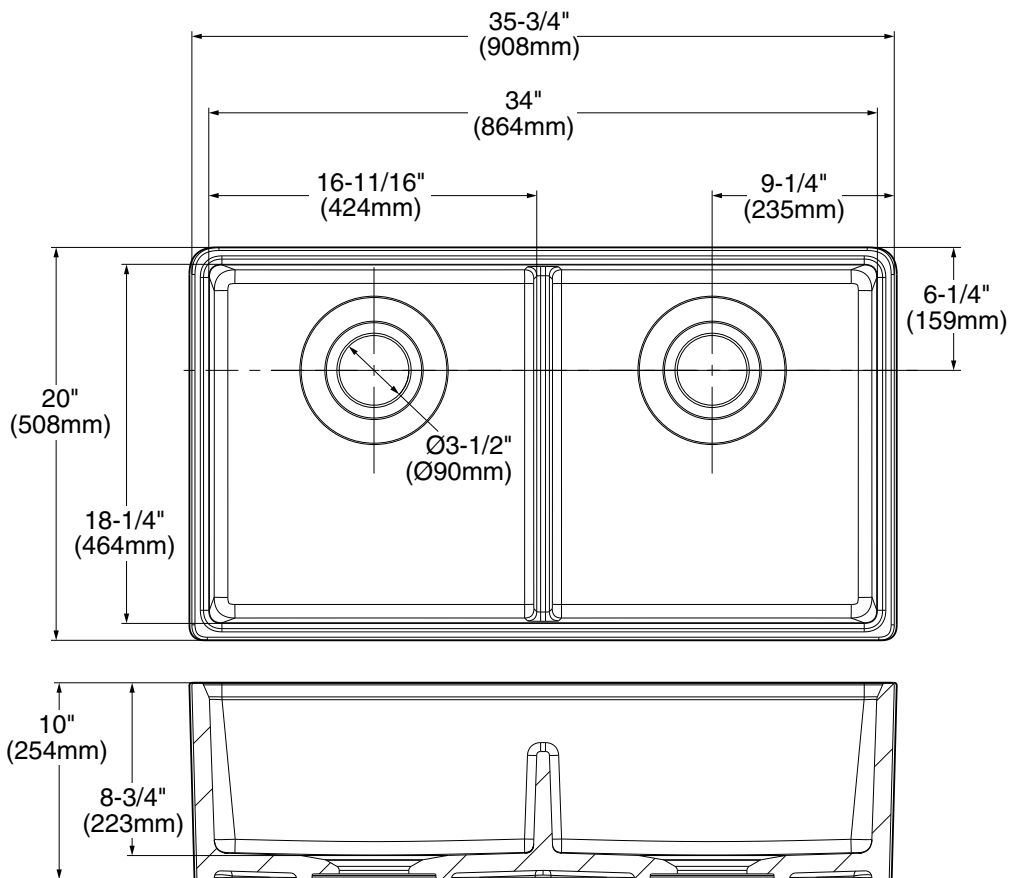
**Compliance Certifications - Meets or
Exceeds the Following Specifications:**

- ASME A112.19.2 / CSA B45.1

SEE REVERSE FOR ROUGHING-IN DIMENSIONS
AND PRODUCT SPECIFICATIONS

To Be Specified:

- ❑ Color: Alabaster White .291



NOTES:

* DIMENSIONS SHOWN FOR LOCATION OF SUPPLIES AND "P" TRAP ARE SUGGESTED.
FITTINGS NOT INCLUDED WITH FIXTURE AND MUST BE ORDERED SEPARATELY.
SEALING COMPOUND SUPPLIED BY OTHERS.

IMPORTANT: Dimensions of fixtures are nominal and may vary within the range of tolerances established by ASME A112.19.2 / CSA B45.1. These measurements are subject to change or cancellation. No responsibility is assumed for use of superseded or voided pages.