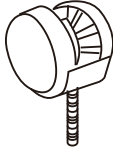
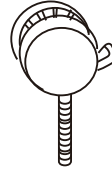


HARDWARE & FITTING

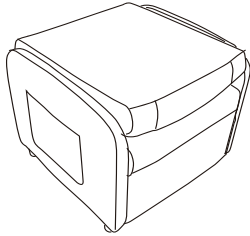
(A) Back wheel X2



(B) Front wheel (with lock) X2



(C) Seat unit X1



(D) Wrench X1

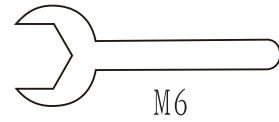


Fig 1

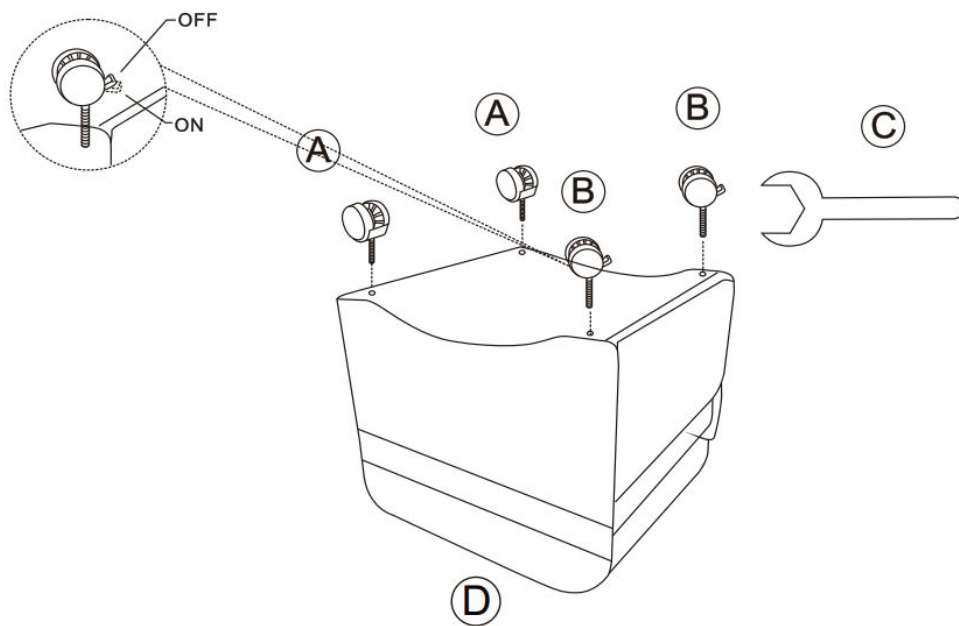


Fig. 2.

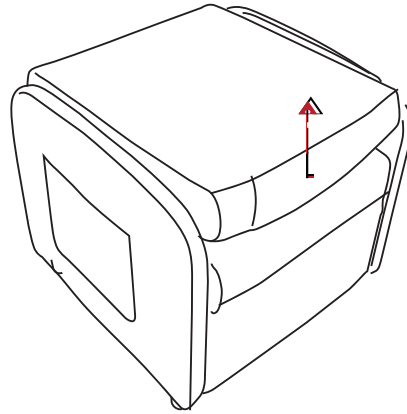


Fig.3.

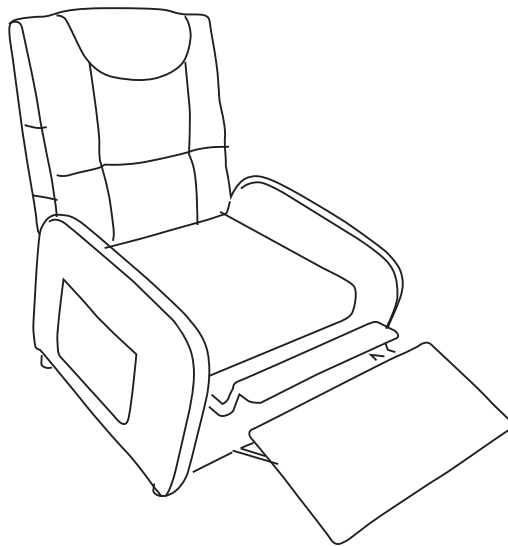


Fig.4.

