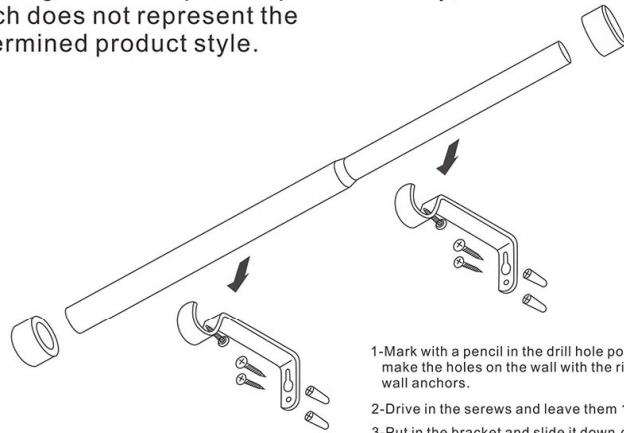
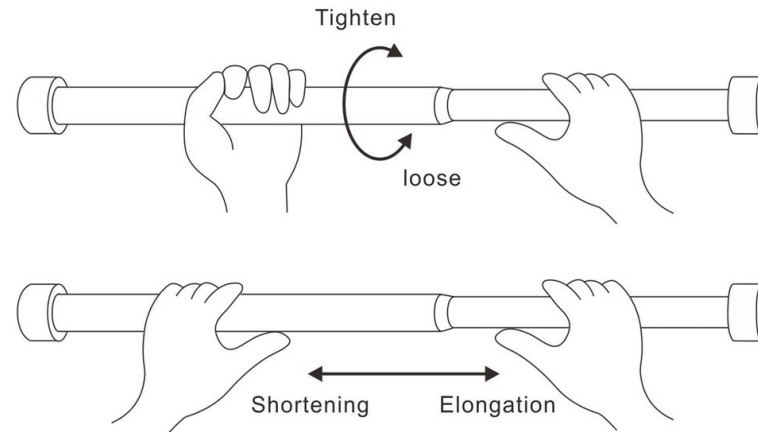


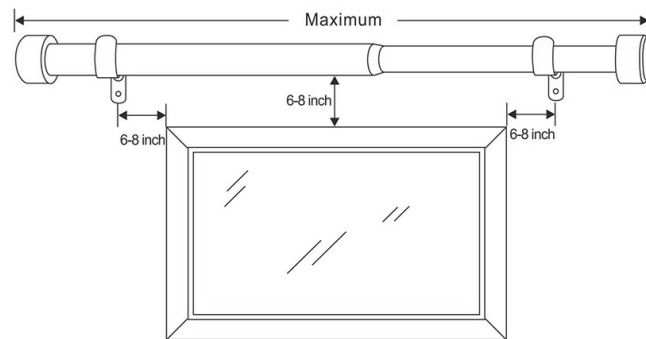
The diagram describes the product briefly,  
which does not represent the  
determined product style.



- 1-Mark with a pencil in the drill hole position of the brackets, make the holes on the wall with the right bit and install the wall anchors.
- 2-Drive in the screws and leave them 1/4" out.
- 3-Put in the bracket and slide it down, following the arrows.
- 4-Finish the tightening the screws.



According to the needed to shorten  
or elongation the rod and then tighten.



Install center bracket if needed.

Warning : 28inch-48inch, The maximum extensible length is 48inch  
48inch-88inch, The maximum extensible length is 88inch  
88inch-132inch, The maximum extensible length is 132inch  
Do not exceed the maximum extensible length when installing, otherwise the structural safety cannot be guaranteed..