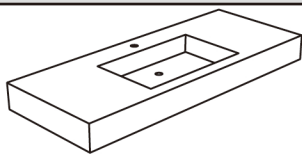


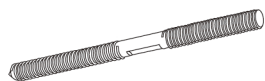
# Product Assembly Instructions

## [ Product Model: FS140-1200(LTK) ]

### List :



Solid Surface Bathroom Sink x1



Bolt x4



Metal Washer x4

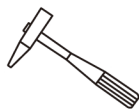


Nut x4

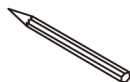


Expansion sleeve x4

### Tools Required :



Hammer



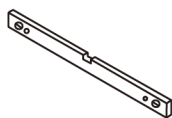
Pencil



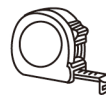
Wrench



Electrodrill



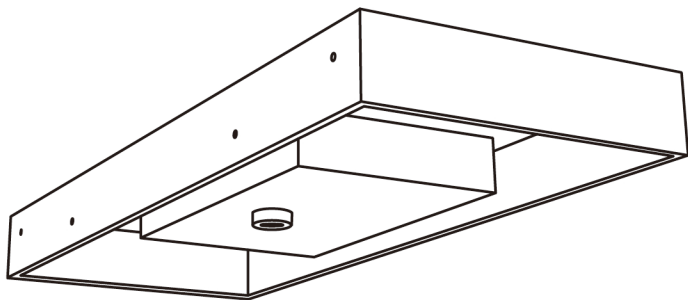
Gradienter



Steel tape

### Installation Steps : 1

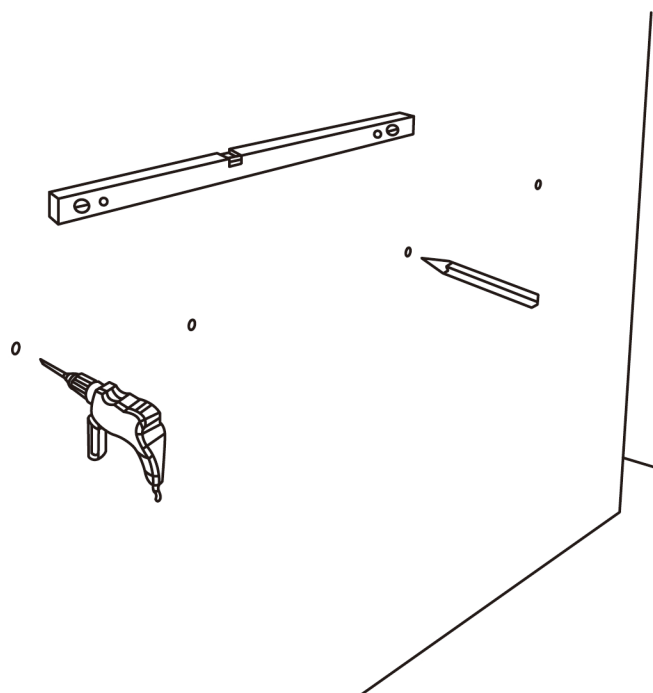
Determine the mounting holes based on the holes in the back of the basin and mark the wall with a pencil (33"-36" is preferred for countertop height).



[ The back of the product ]

### Installation Steps : 2

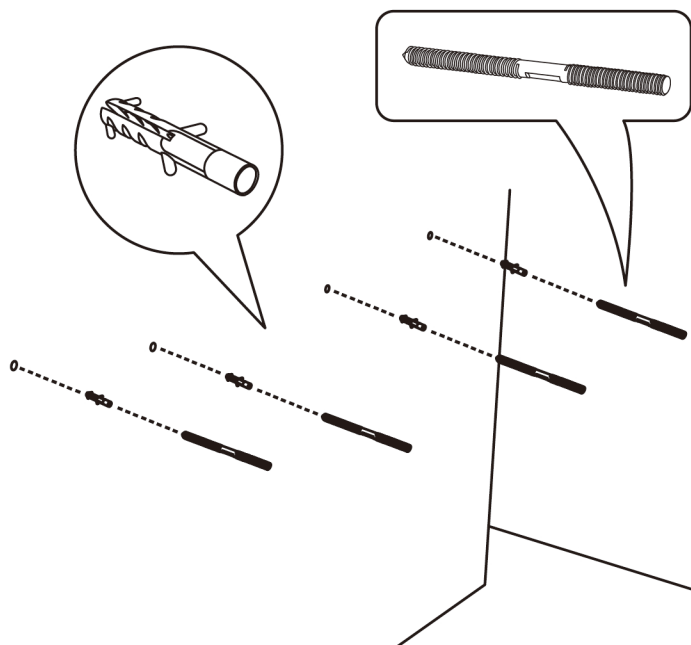
Drill the hole at the mark with electric drill.



### Installation Steps : 3

Install the expansion sleeve first, then the screws.

**⚠** Make sure the screws are securely installed.



### Installation Steps : 4

Hold the basin and use a spanner to lock the basin to the wall.

