



UPHA[®]

Patio Furniture



Questions , problems , missing parts ?

Before returning to your retailer , our exceptional customer service is available

Email us at service@u-pha.com.

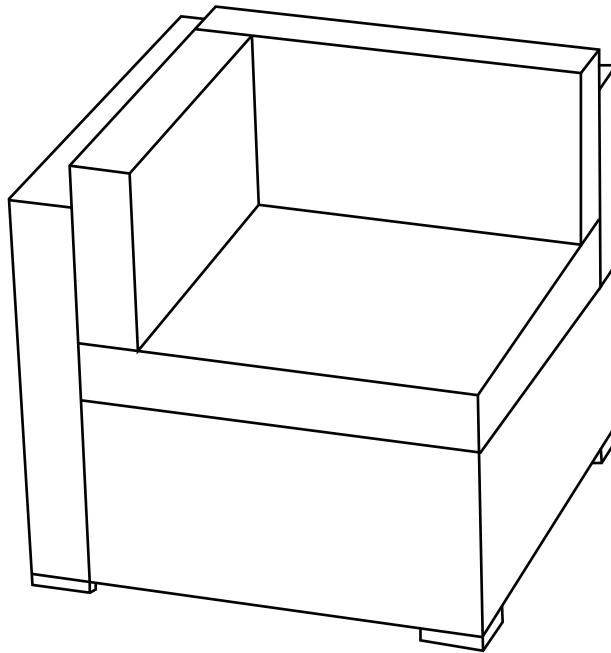
We will offer you a best solution as soon as possible



<https://www.facebook.com/UPHA.USA/>

UPHA Ratten Corner Sofa

INSTRUCTION MANUAL

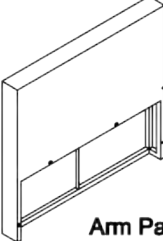
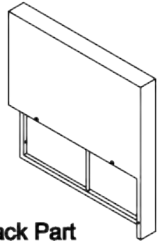
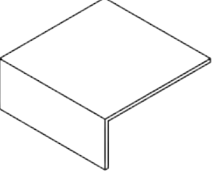
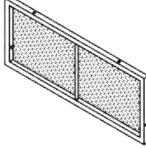
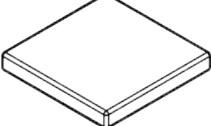
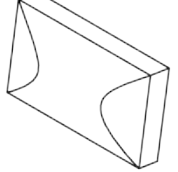









Keep the instructions for future reference

ASSEMBLING THE CORNER SOFA

- Please check whether the parts are in good condition before assembling .

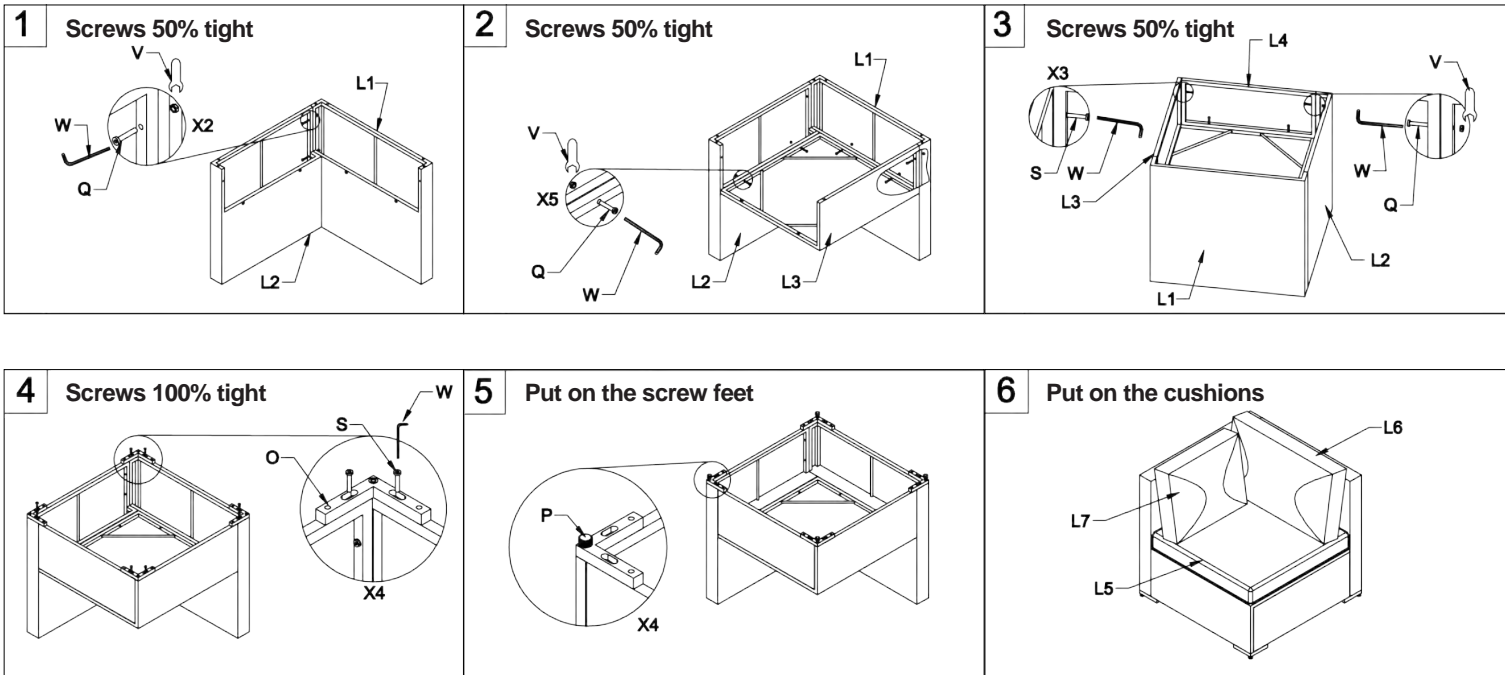
Corner Sofa Assebmly Instruction

						
Arm Part	Back Part	Seat Part	Side Part	Seat Cushion	Back Cushion	
L1 1pc	L2 1pc	L3 1pc	L4 1pc	L5 1pc	L6 1pc	
						
Side Cushion	M6x30	M6x45	Shape feet	Screw feet	Wrench	Hexagon spanber
L7 1pc	S 11pcs	Q 8pcs	O 4pcs	P 4pcs	V 1pc	w 1pc

ASSEMBLING THE CORNER SOFA

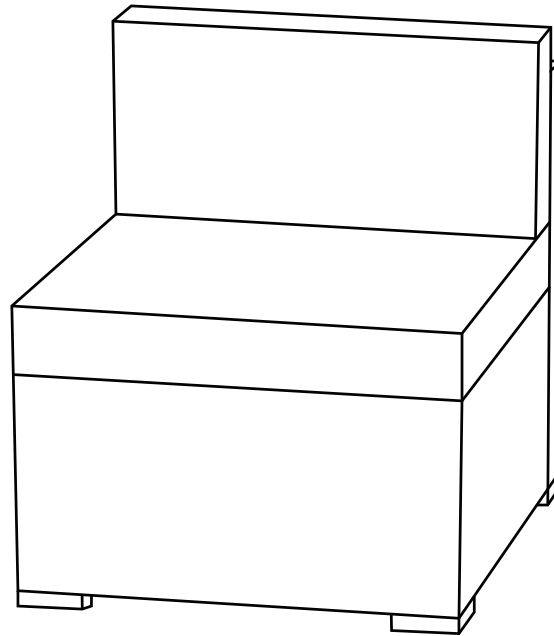
- Installation Notes:

1. Do not tighten the screws until making sure all the screws are lining up with the holes, otherwise some screws may not line up with the holes.
2. If this situation occurs during assembly, please loosen the screws which have been tightened, make sure all the screws line up with all holes, tighten a little and then tighten them in diagonal way again.



UPHA Ratten Armless Sofa

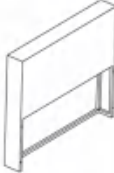


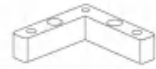





INSTRUCTION MANUAL



Keep the instructions for future reference

ASSEMBLING THE ARMLESS SOFA

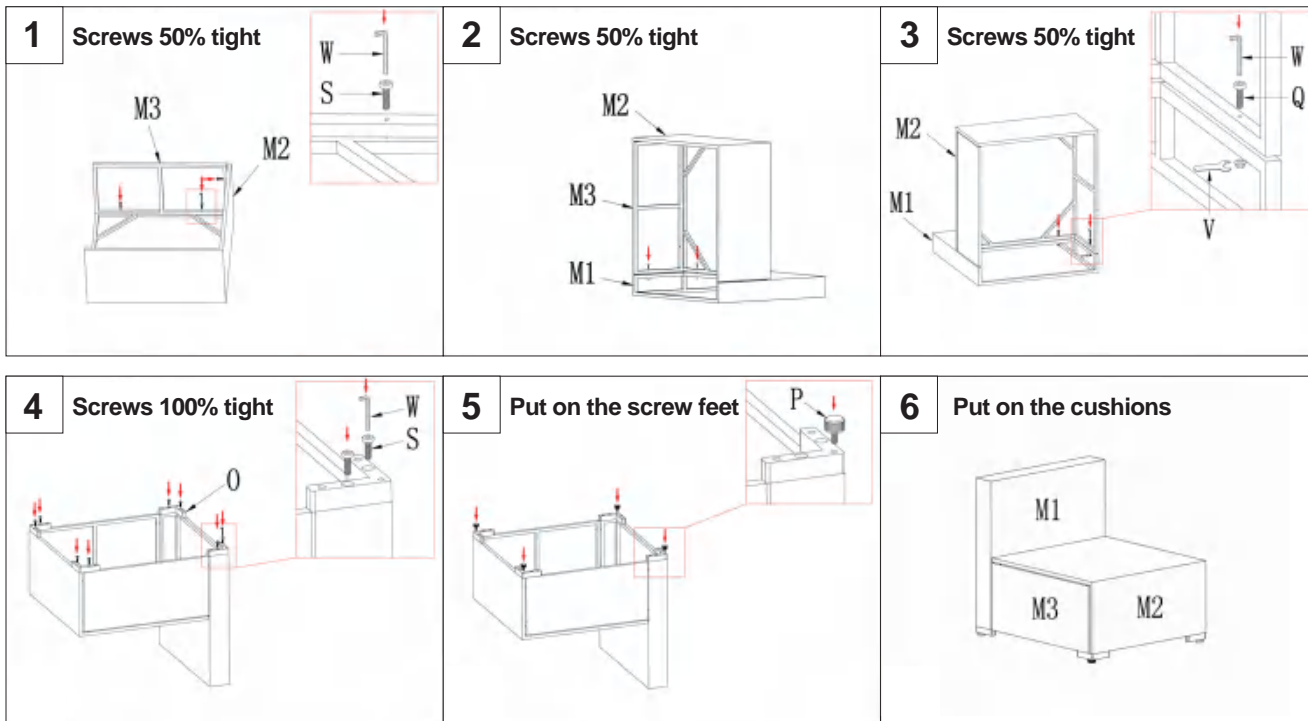
- Please check whether the parts are in good condition before assembling .

Middle Sofa Assembly Instruction									
M1	1pc	M2	1pc	M3	1pc	O	4pcs	P	4pcs
									
Back Part		Seat Part		Side Part		L Shape Feet		Screw Feet	
Q	4pcs	S	11pcs	V	1pc	W	1pc		
									
M6 X 45		M6 X 30		Wrench		Hexagon Spanner			

ASSEMBLING THE ARMLESS SOFA

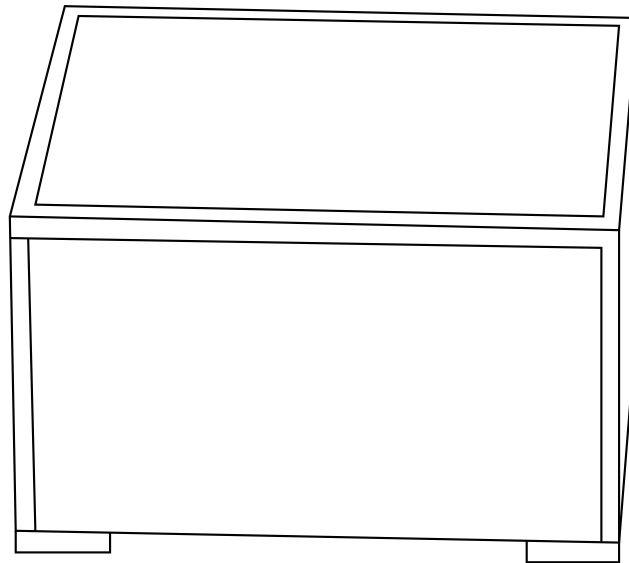
- Installation Notes:

1. Do not tighten the screws until making sure all the screws are lining up with the holes, otherwise some screws may not line up with the holes.
2. If this situation occurs during assembly, please loosen the screws which have been tightened, make sure all the screws line up with all holes, tighten a little and then tighten them in diagonal way again.



UPHA Ratten Coffee Tbale

INSTRUCTION MANUAL

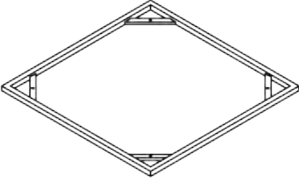
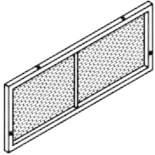
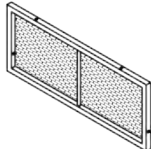
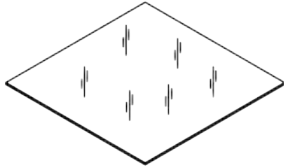

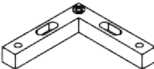




Keep the instructions for future reference

ASSEMBLING THE COFFEE TABLE

- Please check whether the parts are in good condition before assembling .

Coffee Table ASSEMBLY INSTRUCTION

 <p>Face part</p>	 <p>Long part</p>	 <p>Short part</p>	 <p>Glass</p>	
<p>T1 1pc</p>	<p>T2 2pcs</p>	<p>T3 2pcs</p>	<p>T4 1pc</p>	
 <p>M6x30</p>	 <p>Shape feet</p>	 <p>Screw feet</p>	 <p>Hexagon spanner</p>	
<p>S 20pcs</p>	<p>O 4pcs</p>	<p>P 4pcs</p>	<p>w 1pc</p>	

ASSEMBLING THE COFFEE TABLE

- Installation Notes:

1. Do not tighten the screws until making sure all the screws are lining up with the holes, otherwise some screws may not line up with the holes.
2. If this situation occurs during assembly, please loosen the screws which have been tightened, make sure all the screws line up with all holes, tighten a little and then tighten them in diagonal way again.

