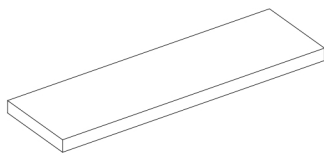
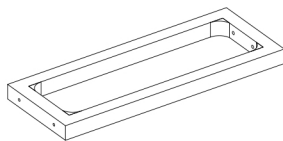


ASSEMBLY INSTRUCTION



A × 1



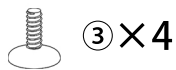
B × 2



① × 4



② × 4

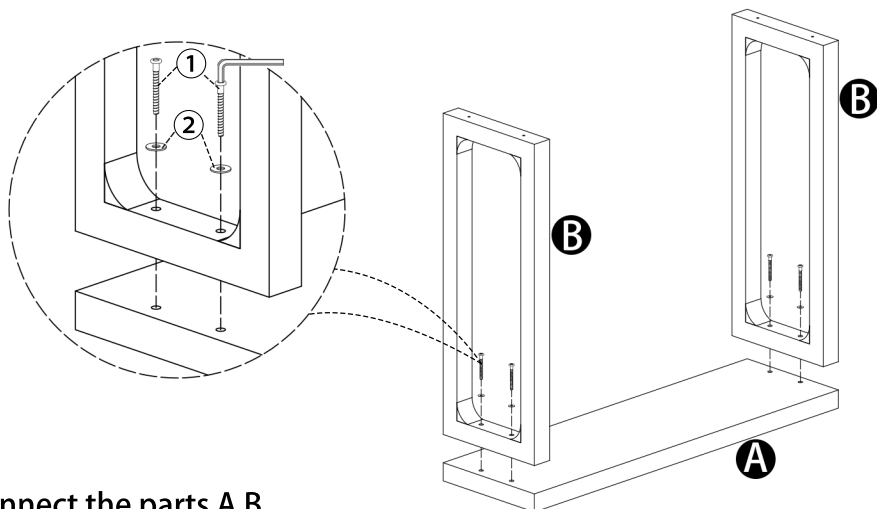


③ × 4

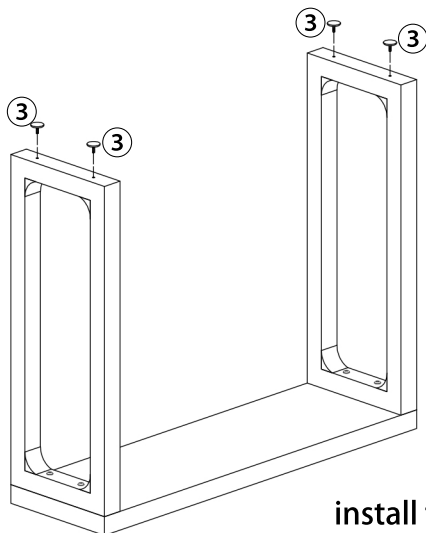


④ × 1

Installation Steps



connect the parts A B.



install the adjusting feet.