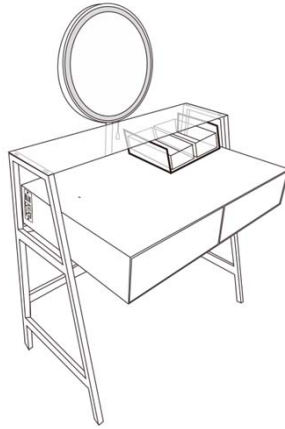


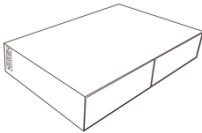
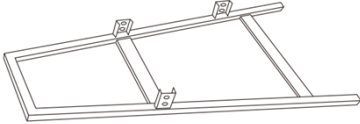
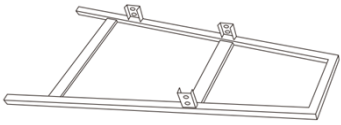



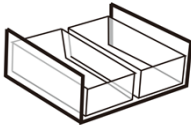
# Assembly Instructions


**Caution : You must read this before you proceed**

## Table


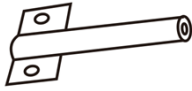



### **PARTS LIST BOX 1:**





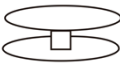
Label	Picture	Description	QTY
A		Table top	1
B		Left Leg	1
C		Right Leg	1
D		Top-Front Connector	1
E		Top-Back Connector	1
F		Bottom Connector	1
H		Glass boxes	1

I		Glass Panel	1
---	---	-------------	---

**PARTS LIST BOX 2:**

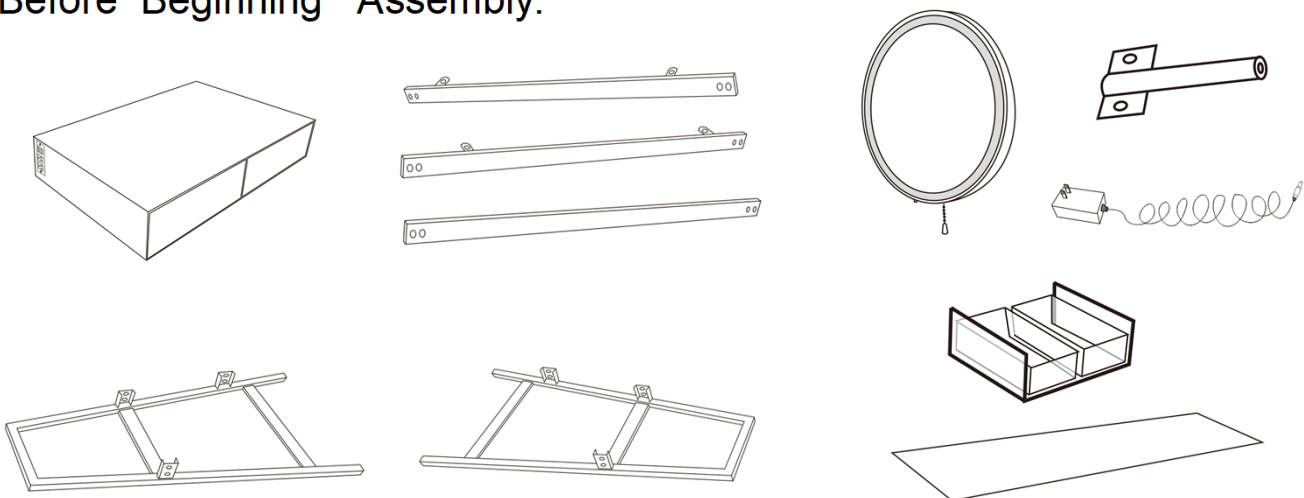
G1		Mirror(packed in another box)	1
G2		Metal Bar(packed in another box)	1
G3		Adaptor(packed in another box)	1

Hardware

Label	Picture	Description	QTY
①		M5 Bolt(short)	12
②		M6 Bolt(long)	7
③		Washer	7
④		Allen Key	1
⑤		Clear Rubber Sucker	4

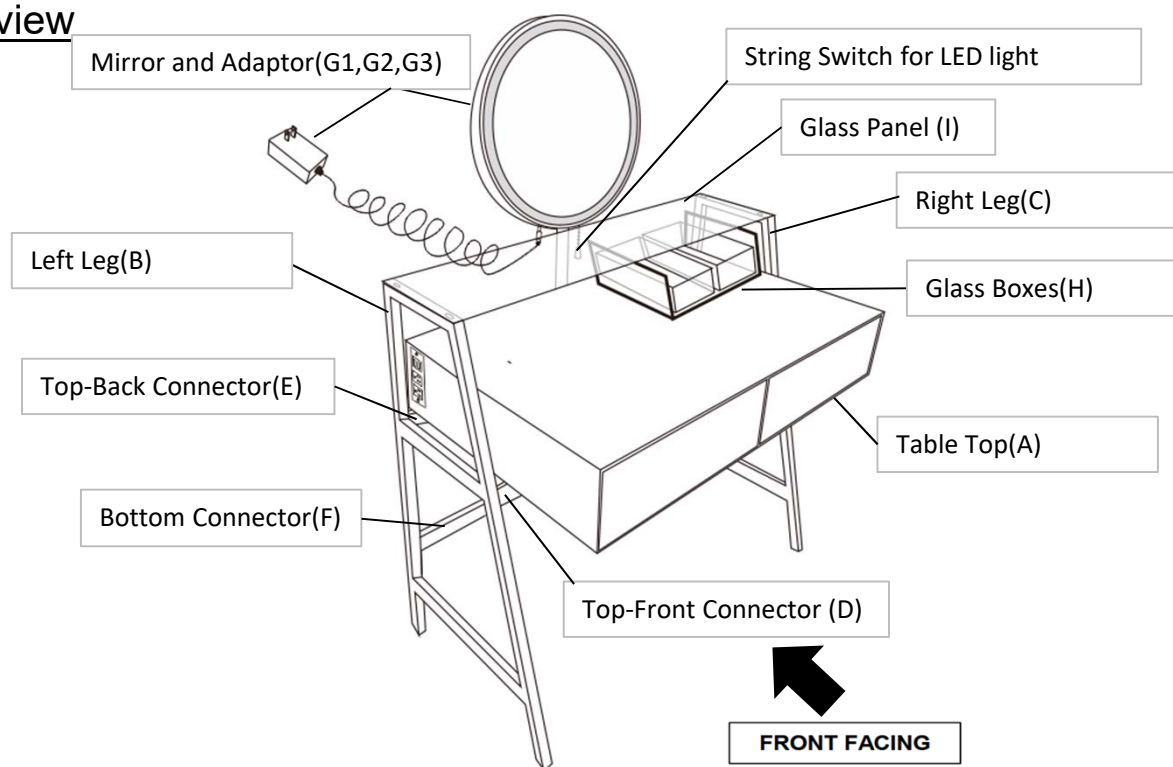
Assembly Preparation

Before Beginning Assembly:



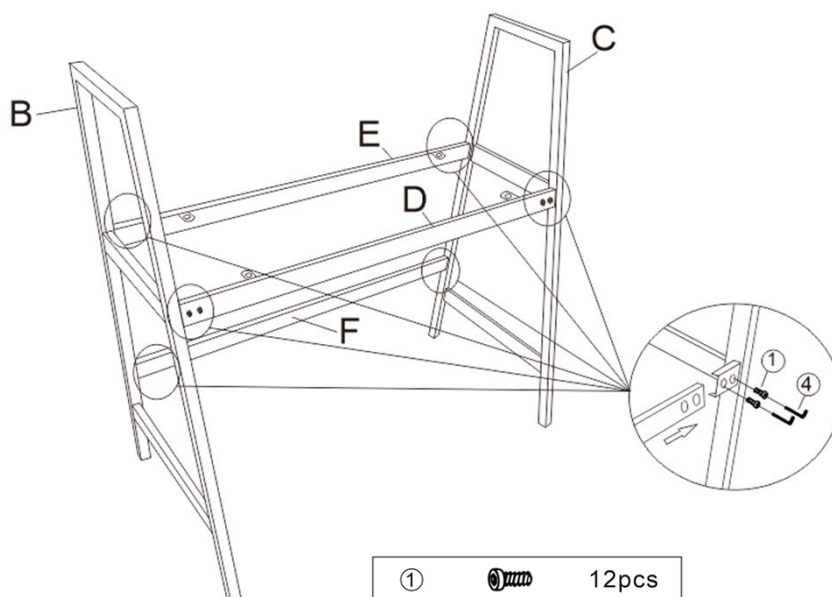
Assembly Steps

## Overview



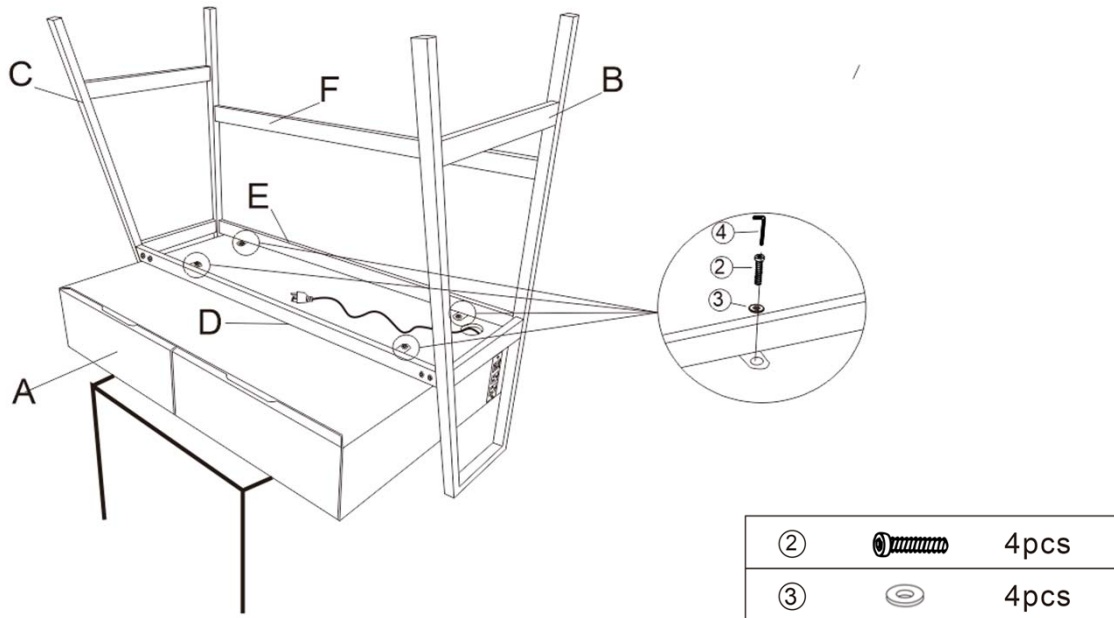
This Table has multiple parts and may require up to 30 minutes to assemble. Sets often ship in multiple boxes and may arrive a day or two apart. To give you an overview of the Table parts, the above picture is to help you put the various parts into perspective. Please read through the instructions below to familiarise yourself with the parts and steps before assembly.

## Step 1



Open from the carton bottom, with the help of your adult partner, take the legs, connectors, glass panel and Table top out in sequence carefully. Put the Table top on a soft surface downward, Take the Legs and Connectors out and place them on a clean, non-marring surface. With help from an adult partner, Assemble the Legs(B,C) and Connectors(D,E,F) with M5 short Bolts(①) on a clean, non-marring surface.

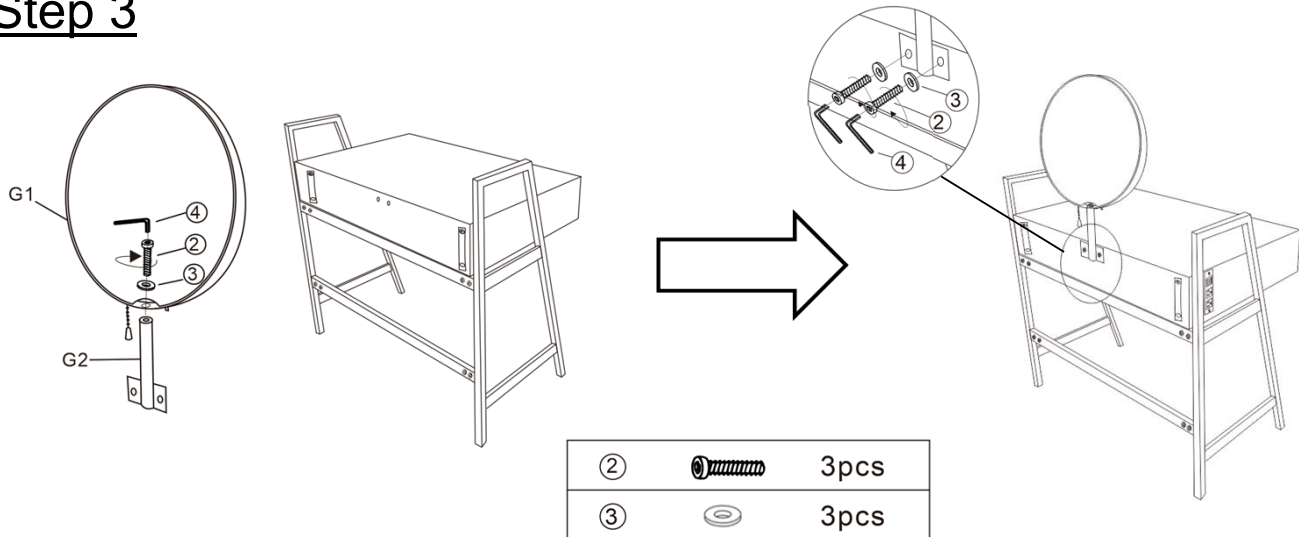
## Step 2



Put the Table top(A) on a soft surface downward and make sure the table ends are levitated. Place the legs(B,C) on the mounting position in the Table top(A).

Attach Legs(B,C) to Table top(A) using M6 long Bolts(②), Washers(③) with Allen Key(④)

## Step 3

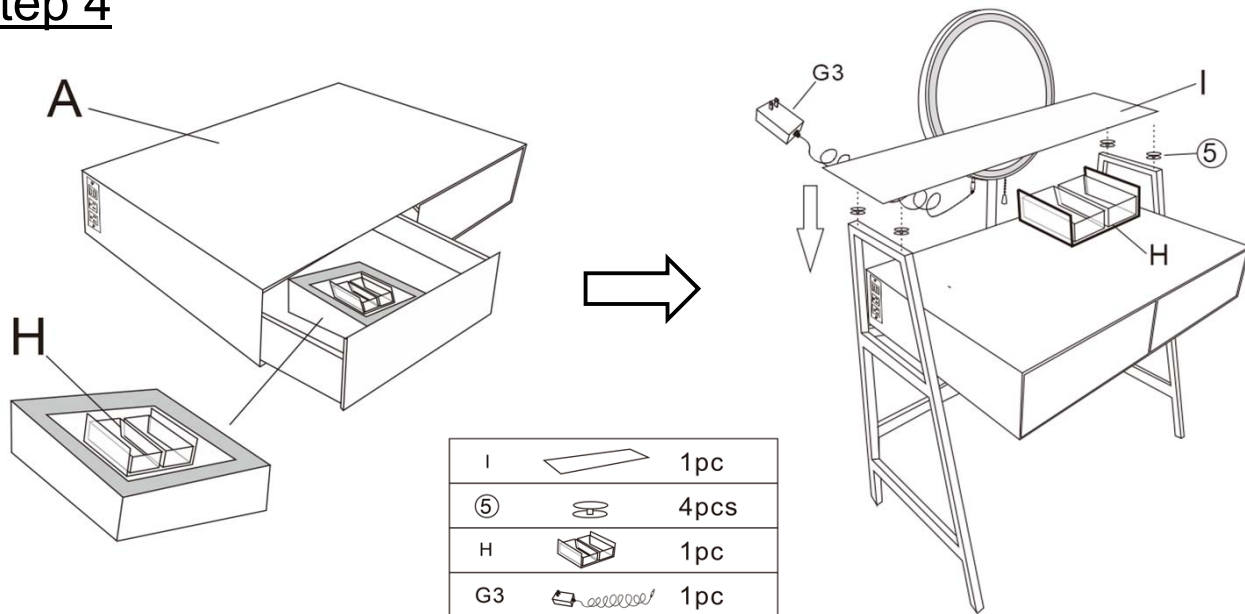


Open another carton,take the Mirror(G1),Metal Bar(G2) and Adaptor(G3) out carefully. Put the Mirror(G1) on a soft surface downward,

Attach the Metal Bar(G2) on the Mirror(G1) on a clean, non-marring surface.

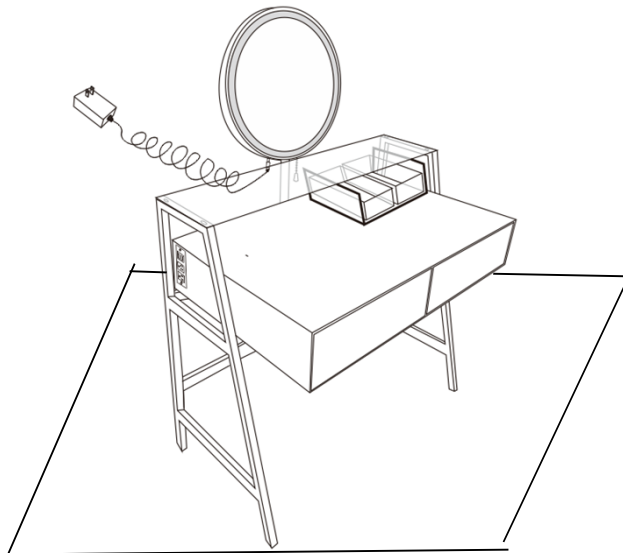
Avoid the drawers slide out, hold the drawer's panels and turn over the table with an adult partner.Attach the Assembled Mirror(G1,G2) on the back of the table using M6 long Bolts(②), Washers(③) with Allen Key(④).

## Step 4



Take out the Glass Boxes(H) from the Drawer inside and place them on any positions of table surface you prefer. Release the Glass Panel(I) on the Legs(B,C) with Clear Rubber Sucker(⑤) between of them. Connect the Adaptor(G3) at the bottom of Mirror(G1).

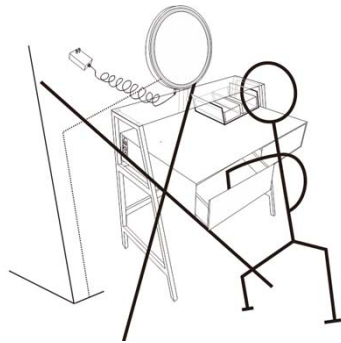
## Step 5



Your Table is ready for use.  
This Table can only be used on a flat, level surface.

 **WARNING**

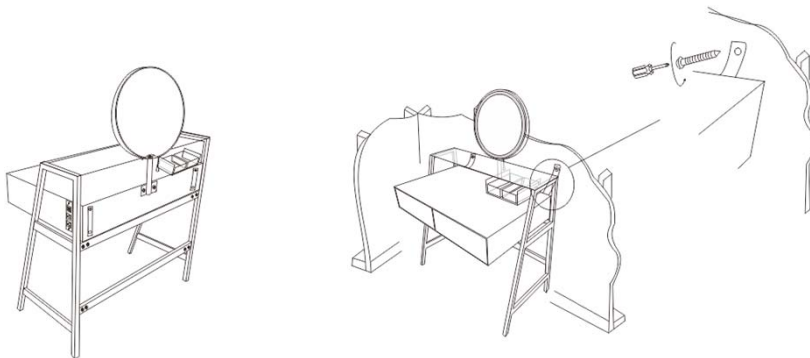
**Serious or fatal crushing injuries can occur from tipping furniture. To help prevent tip-over: ALWAYS secure this furniture to the wall using Restraint Device. See product instructions for more ways to help prevent furniture tip-over.**
















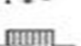






Usage for Restraint Device:

Move the Table against the wall, Pull out the Restraint Device Straps from the product, use screw driver to lock the strap with a screw on the wall.

The screw and screw driver is NOT included.



## Care & Maintenance

-   ● Do not put hot items directly on furniture surface
  -   ● Do not clean furniture with harsh cleansers or polish.
  -   ● Do not place furniture under direct sunlight.
  -   ● Do not place furniture near heating or cooling vents.
  -   ● Do not write on furniture without a padded barrier to protect the surface.
  -   ● Do not place furniture outside . For indoor use only .
  -   ● Not for commercial use. For residential use only .
  -   ● Stains may be removed with mild soap solution and damp cloth.
  -   ● Children should not climb or jump on the furniture.
- 
-   ● Dust and pick-up spills using a clean, non-colored, lint-free cloth .