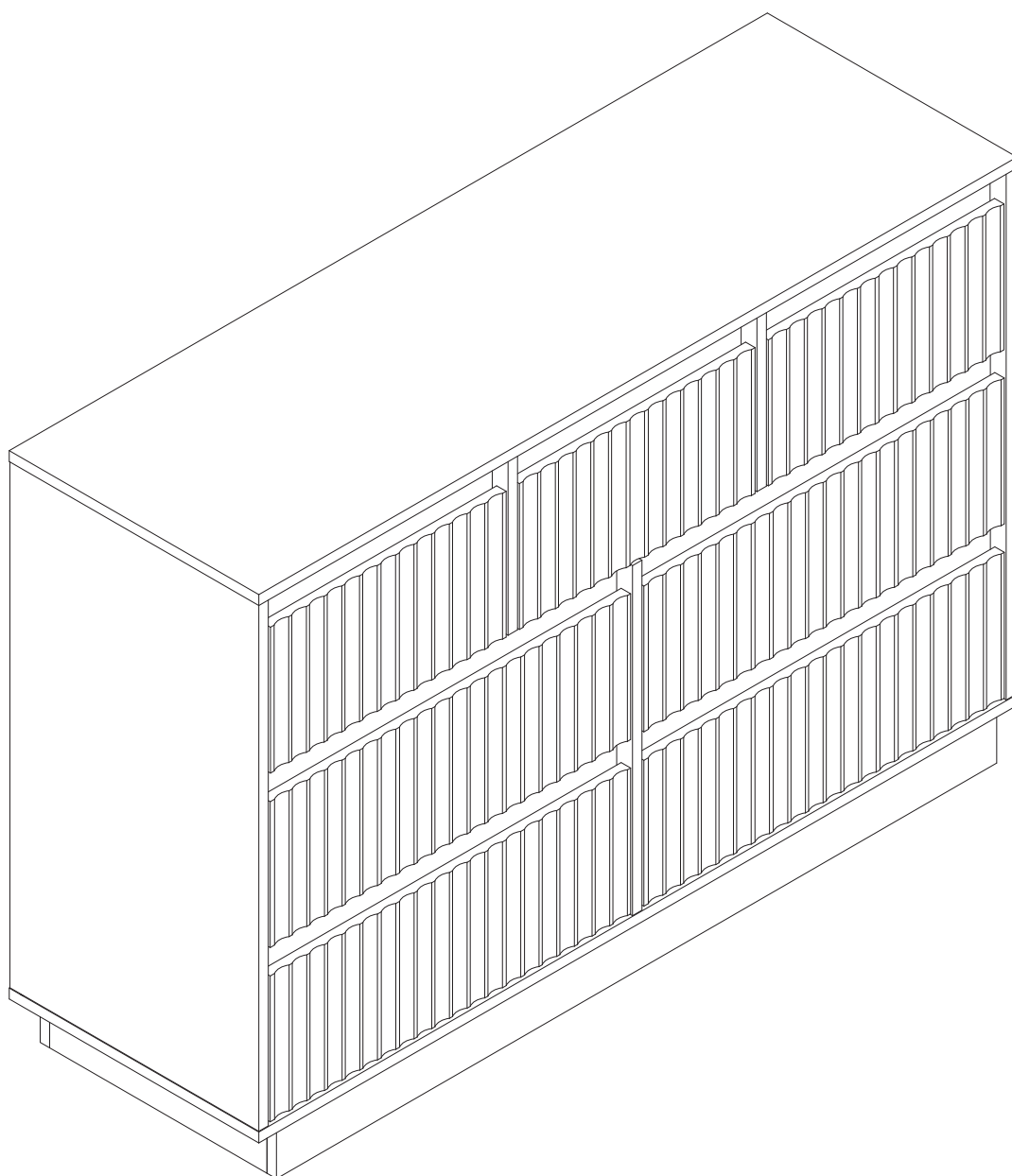


Dresser

Assembly Instructions



Please read this manual carefully before any operation
and keep it properly for future use.

General Guidelines

1. Please read the following instruction carefully and use the product accordingly.
2. Please keep this manual and hand it over when you transfer the product.
3. This summary may not include every detail of all variations and considered steps. Please contact us when further information and help are needed.

Notes

1. This item is only intended to be used indoors. Personal injury and/or damage to product may occur if products are used outside of their intended purposes and/or if products have been changed/modified from their original design. The product must be assembled and used in accordance with the provisions of the manual. The seller does not assume any responsibility or liability with respect to any damage caused by incorrect assembly or improper use.
2. It is recommended that assembly is undertaken by at least 2 adults. Please read assembly instructions before assembly and strictly adhere to each step outlined.
3. If there is/are defective and/or missing part/s after unpacking, please cease assembly immediately and get in contact with us.
4. Please assemble the item in a spacious room and do not place the unwrapped product directly on the ground to avoid damage. It is recommended to wear gloves during the assembly to avoid scratches from any sharp edges.
5. Please do not stand, sit or place heavy items on the wooden boards or other parts before assembly to avoid cracks or distortion of the wooden boards. Cracks or distortion will affect the assembly and normal use.
6. Please match the corresponding board and fitting based on the part number in the manual. If the board does not match with the fitting, please check the pieces as specified in this manual.

7. Please refer to the diagram during assembly. Align all screws with the related pre-drilled holes first and later tighten the screws one by one only after putting all the parts in their correct places.
8. Please note that each type of screw has a spare screw.
9. Periodically inspect screw tightness while the product is in use. If necessary, retighten to ensure structural integrity.
10. Do not expose product to direct sunlight or rain; and do not put it in a humid place. Failure to do so may accelerate the distortion, discoloration or cause fissures. Never touch with sharp objects or corrosive chemicals, which may damage the surface of the item.
11. For daily care, please clean with a damp cloth, then immediately wipe dry.

Warnings

1. It is strictly prohibited to sit or stand on the product.
2. Please put this item on a flat ground.
3. Don't use an electric drill to assemble this item.
4. It is not intended for use by children under 3 years of age. Children must be under adult supervision to use the product.
5. It is forbidden children to climb or play on the product to avoid serious body injury caused by the toppling.
6. During the assembly process, keep any small parts out of the reach of children. It may be fatal if swallowed or inhaled.
7. To avoid the potential dangers of suffocation, please keep all parts and packaging (films, plastic bags and foam, etc.) away from babies and children. It is strictly prohibited to sit or stand on the product.

General Guidelines

Thank you for purchasing . We promise to repair or replace any component that may have any defects in material or workmanship. We will provide a one-year warranty.

There are no other warranties except as expressly set forth below, either expressed or implied, including any warranty of merchantability for any particular purpose.

The word defects in this warranty is defined as imperfections that impair the service, function or effectiveness of the product.

INFORMATION ON COLOR VARIATIONS & FINISHES:

Some natural variations occurring in wood, or other natural materials are inherent to their character, and thus can not be avoided. Therefore they are not considered to be defects.

We does not warrant the colour fastness or matching of colours, grains, textures or other such materials. Customer's materials selected by and used at the request of a user are therefore not warranted .

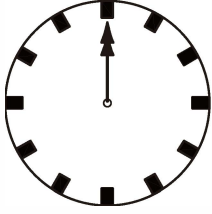
LIMITATIONS INVOLVING MATERIALS & COMPONENTS

The materials and all components listed below are covered. According to the following schedule from the date of sale to the original purchaser.

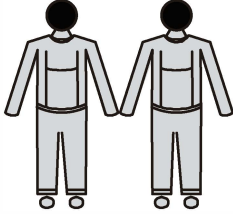
TO CONTACT CUSTOMER SERVICE

If you need warranty service, our service representatives will take care of it for you. Please be prepared to explain the defect in detail, model/style number, date and location of purchase, and your name. Thank you.

General Guidelines

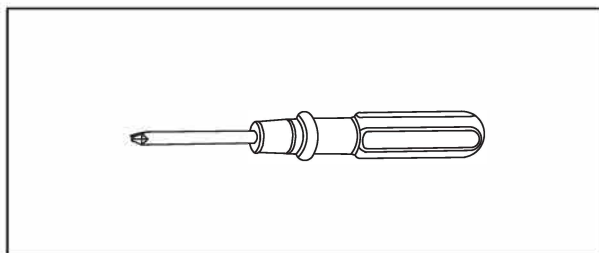


120Mins
(Professionals)
240Mins
(non-professionals)
Assembly time

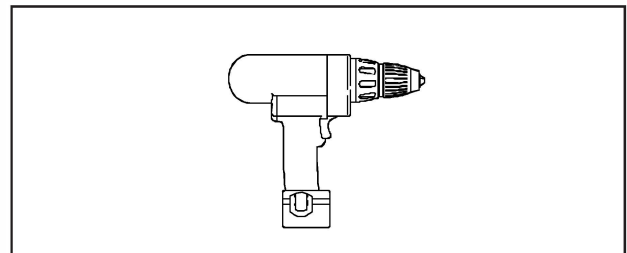


2
Two persons

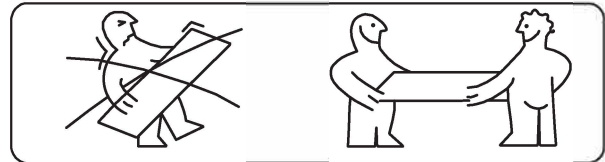
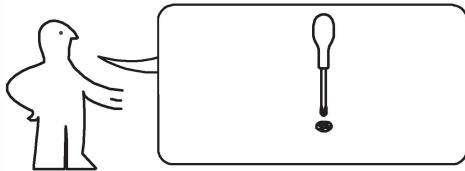
RECOMMENDED TOOLS



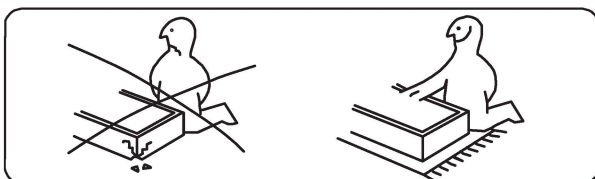
Installation tools included



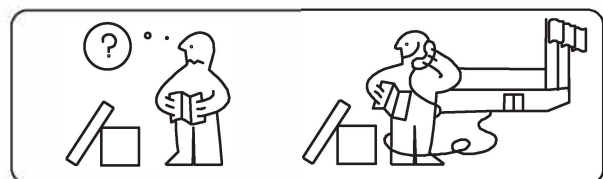
Power tools(not included)



① Safe carriage, multi-people are needed.



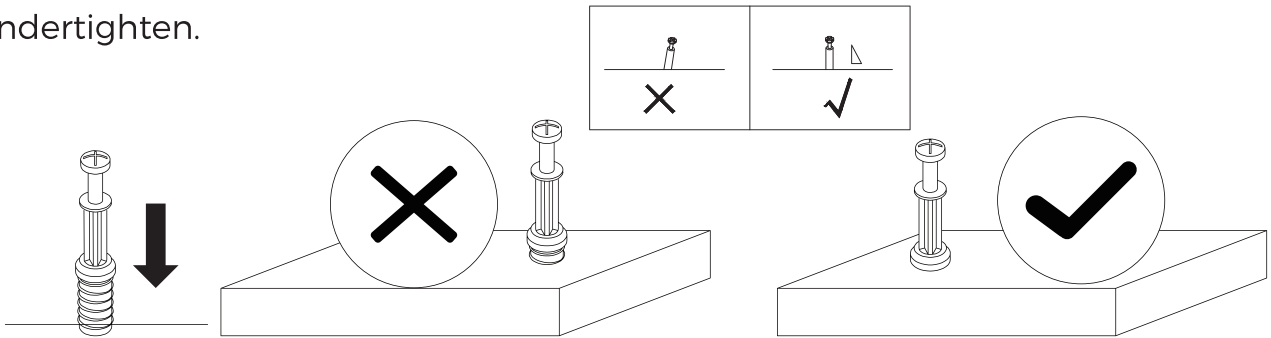
② Handle with care, protective layer is required.



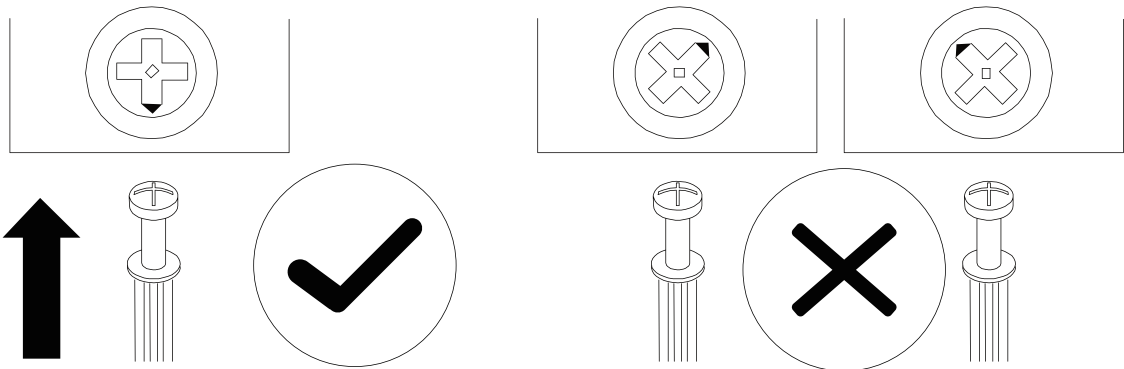
③ In case of any doubts, contact customer service.

USING CAM LOCK AND QUICKFIT

● Tighten quickfit until shoulder is flush with panel. Do not overtighten or undertighten.



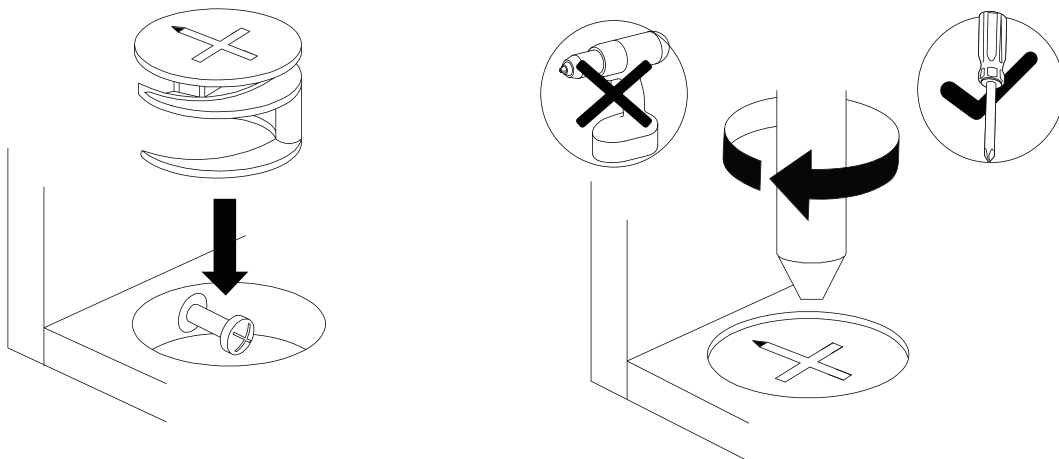
● When fitting cam lock, ensure starting position is correct before you insert connecting quickfit.



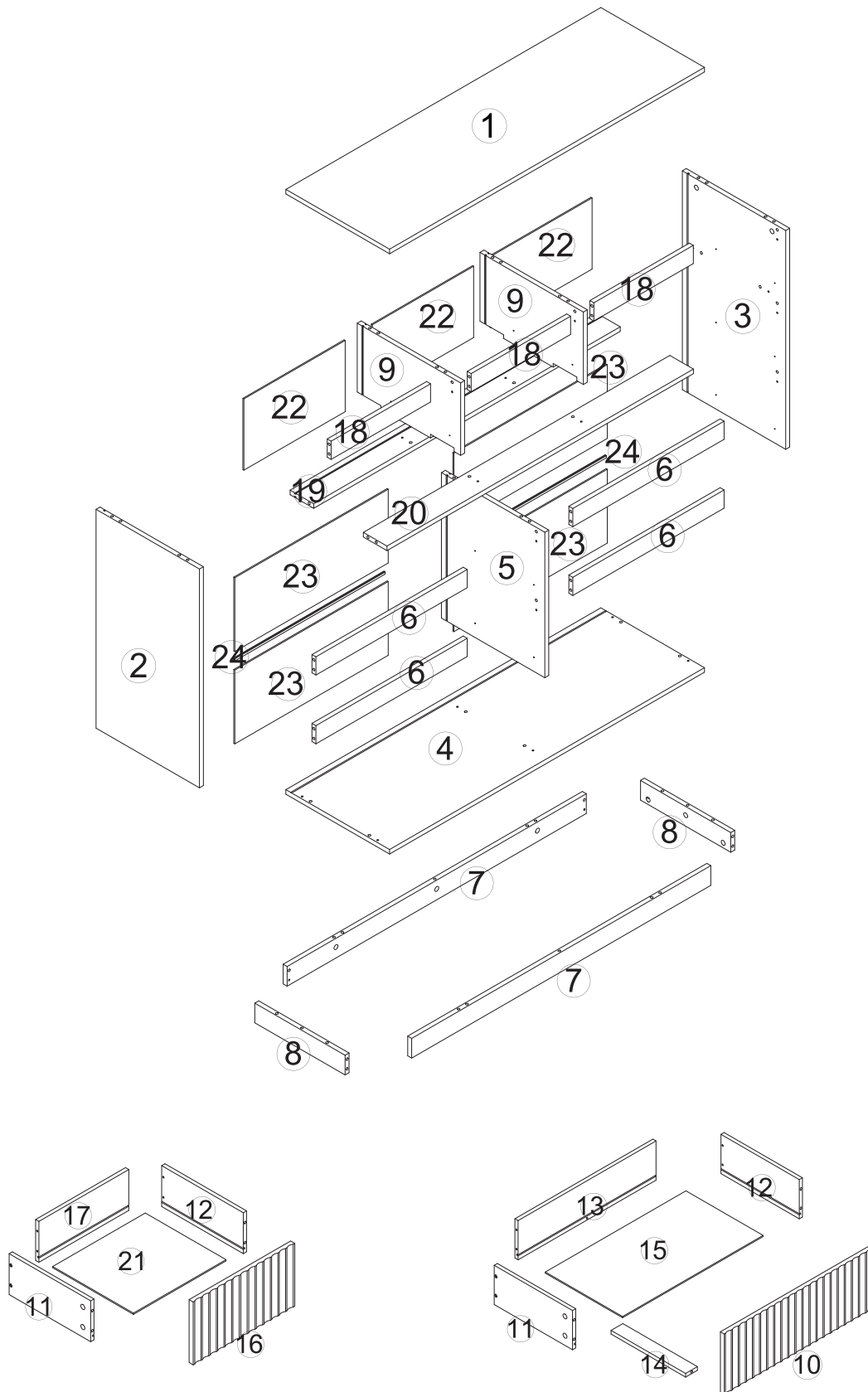
● Quickfit head should be in the centre of the cam lock when the two panels are joined.

● Cam lock should be inserted before quickfit.

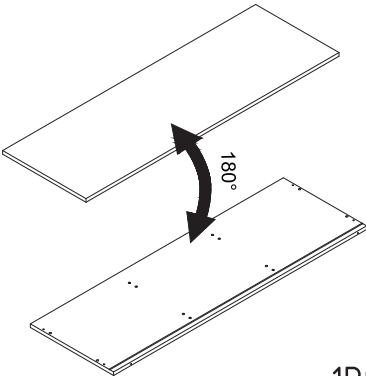
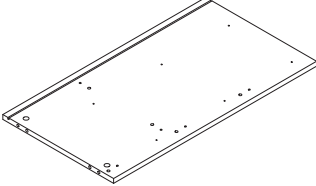
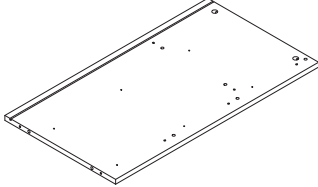
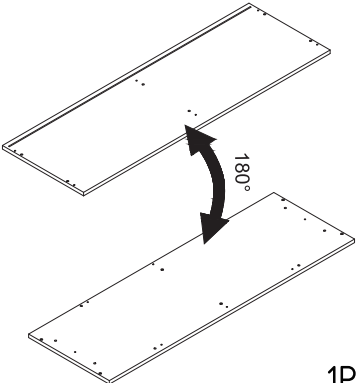
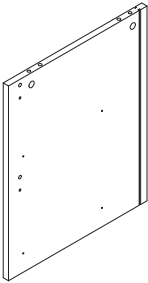
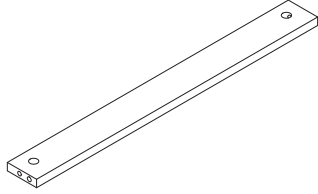
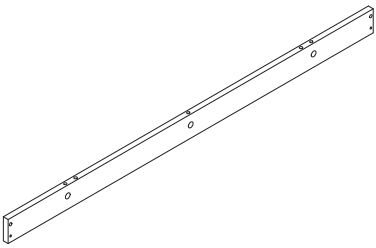
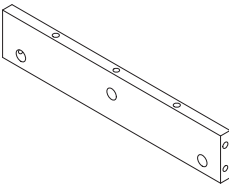
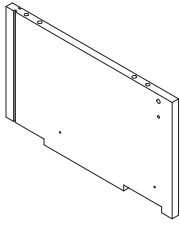
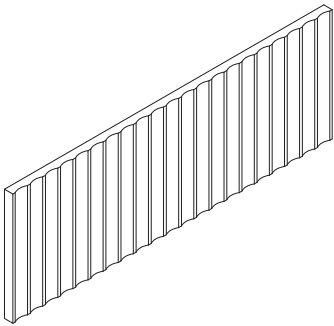
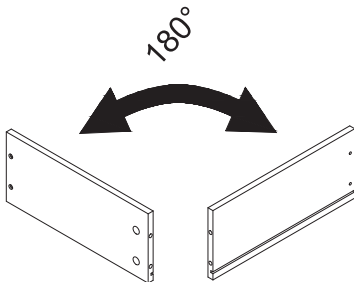
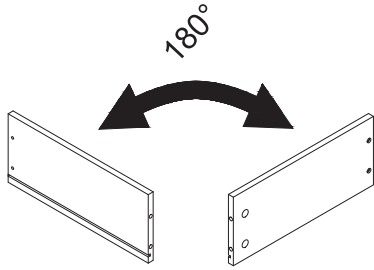
● Turn cam lock clockwise to tighten.



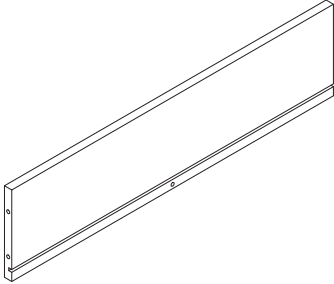
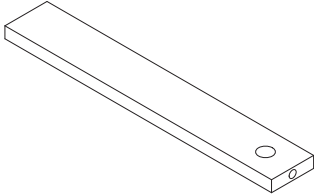
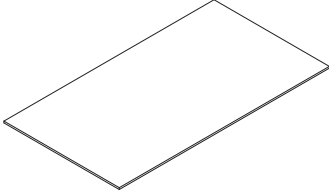
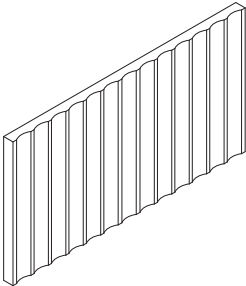
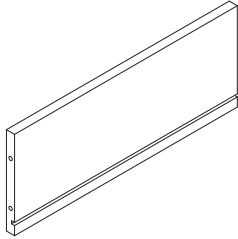
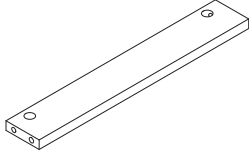
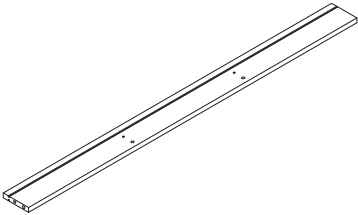
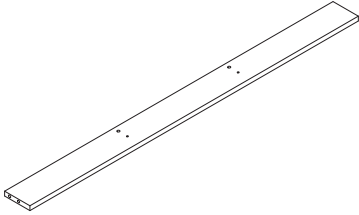
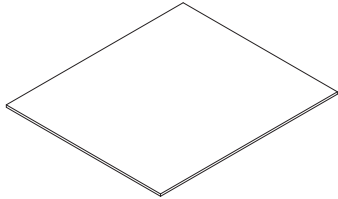
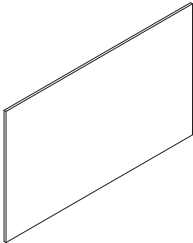
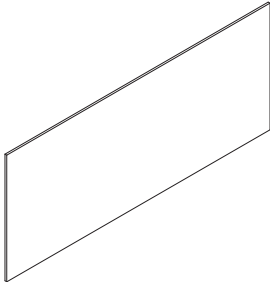
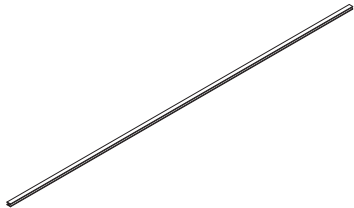
Parts List



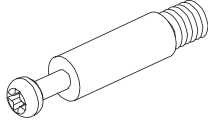
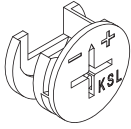
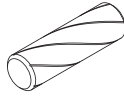
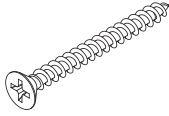
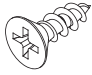
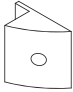

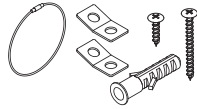

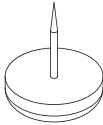
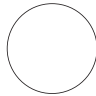
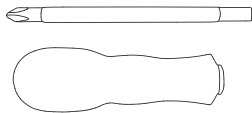
Panels List Number

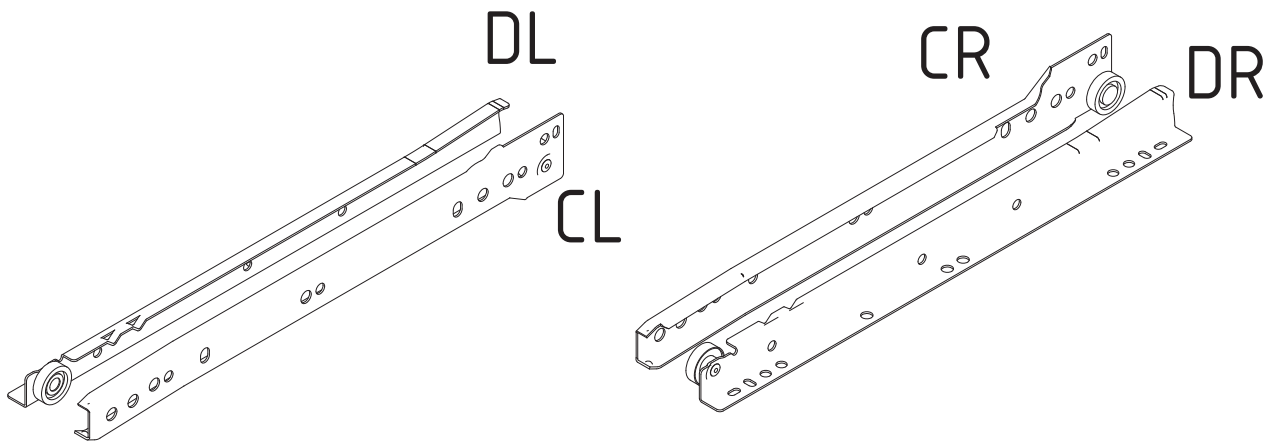
<p>1</p>  <p>1PC</p>	<p>2</p>  <p>1PC</p>	<p>3</p>  <p>1PC</p>
<p>4</p>  <p>1PC</p>	<p>5</p>  <p>1PC</p>	<p>6</p>  <p>4PC</p>
<p>7</p>  <p>2PC</p>	<p>8</p>  <p>2PC</p>	<p>9</p>  <p>2PC</p>
<p>10</p>  <p>4PC</p>	<p>11</p>  <p>7PC</p>	<p>12</p>  <p>7PC</p>

Panels List Number

<p>13</p>  <p>4PC</p>	<p>14</p>  <p>4PC</p>	<p>15</p>  <p>4PC</p>
<p>16</p>  <p>3PC</p>	<p>17</p>  <p>3PC</p>	<p>18</p>  <p>3PC</p>
<p>19</p>  <p>1PC</p>	<p>20</p>  <p>1PC</p>	<p>21</p>  <p>3PC</p>
<p>22</p>  <p>3PC</p>	<p>23</p>  <p>4PC</p>	<p>24</p>  <p>2PC</p>

Parts List Number

<p>A</p>  <p>72PCS</p>	<p>B</p>  <p>72PCS</p>	<p>C</p>  <p>ø8*30MM 42PCS</p>	<p>D</p>  <p>M4*35MM 42PCS</p>
<p>E</p>  <p>M3*12MM 56PCS</p>	<p>F</p>  <p>28PCS</p>	<p>G</p>  <p>M3*16MM (black) 28PCS</p>	<p>H</p>  <p>2PCS</p>
<p>I</p>  <p>ø8*50MM 4PCS</p>	<p>J</p>  <p>10PCS</p>	<p>K</p>  <p>COVER 28PCS</p>	<p>TOOL</p> 

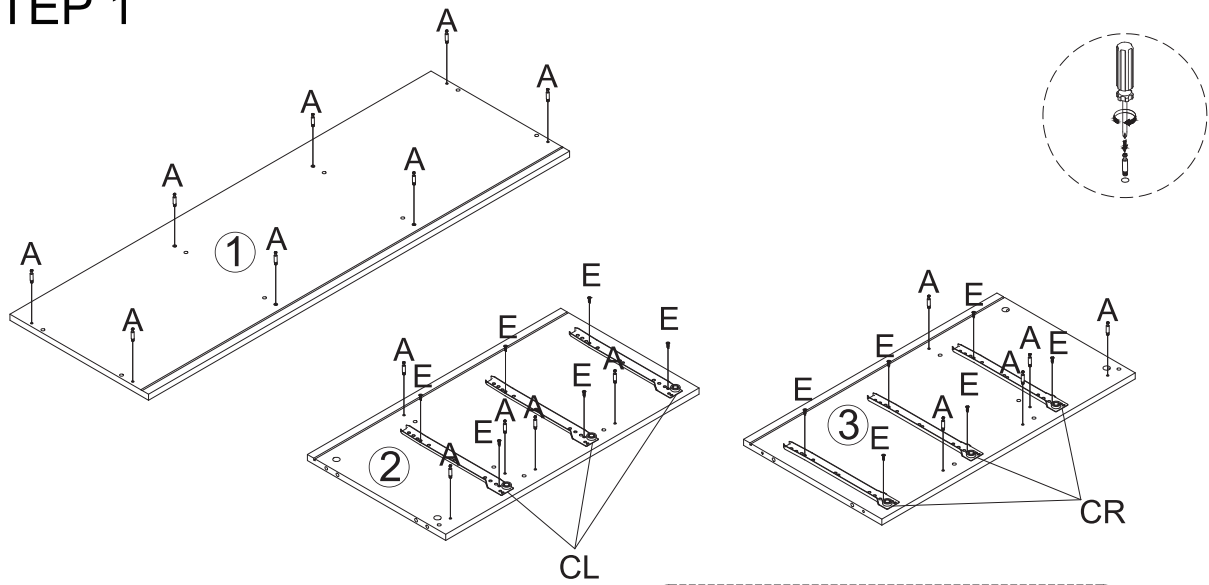


X7

Installation steps

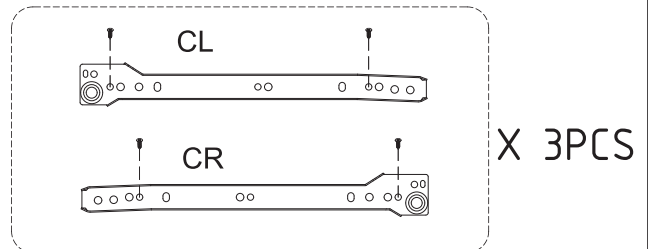
Installation Steps

STEP 1

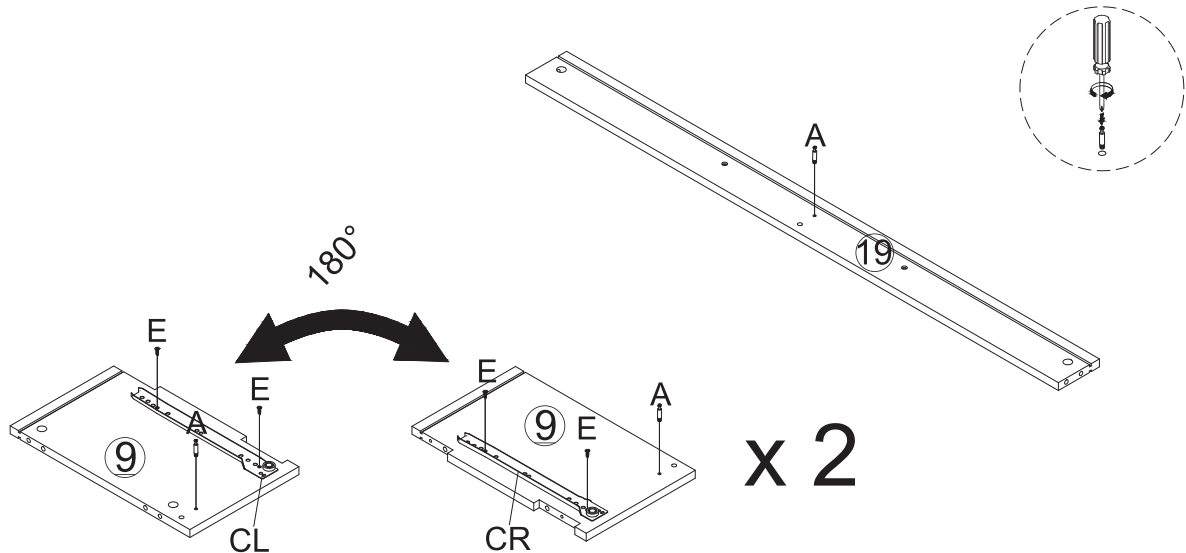


Panel Needed:

- ① X 1PCS
- ② X 1PCS
- ③ X 1PCS

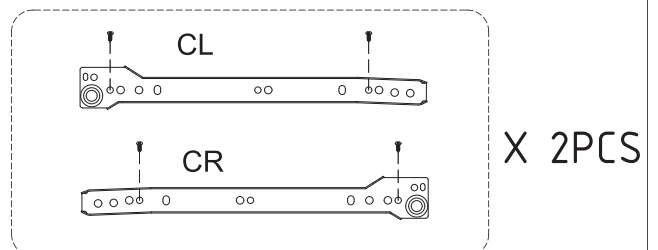


STEP 2



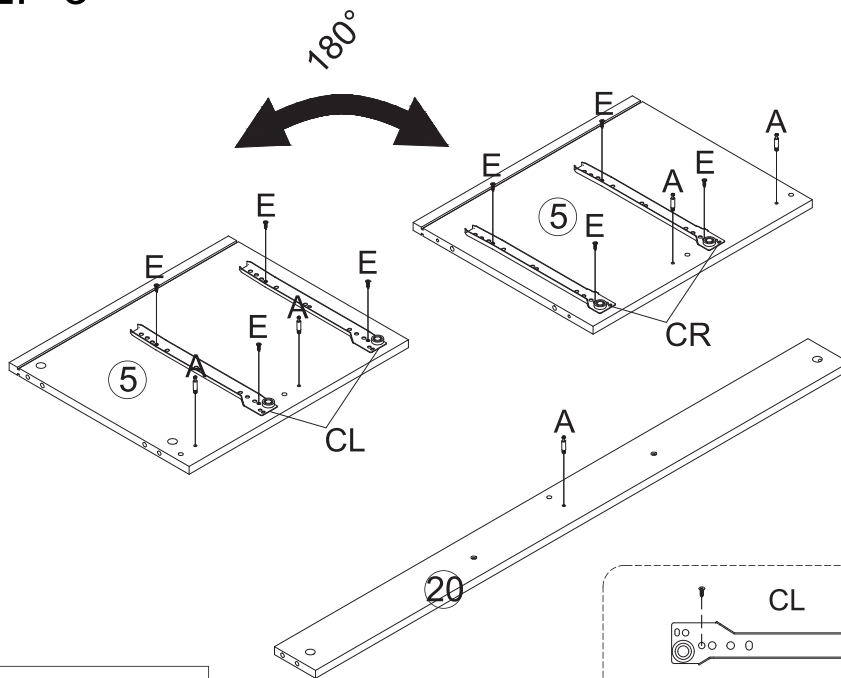
Panel Needed:

- ⑨ X 2PCS
- ⑱ X 1PCS



Installation Steps

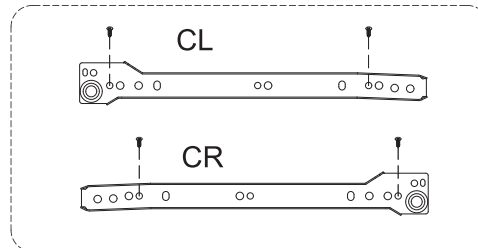
STEP 3



Panel Needed:


⑤ X 1PCS

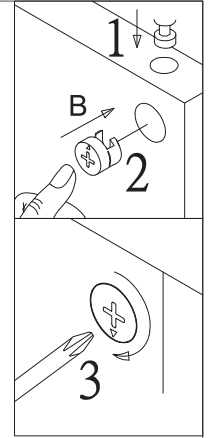
⑳ X 1PCS



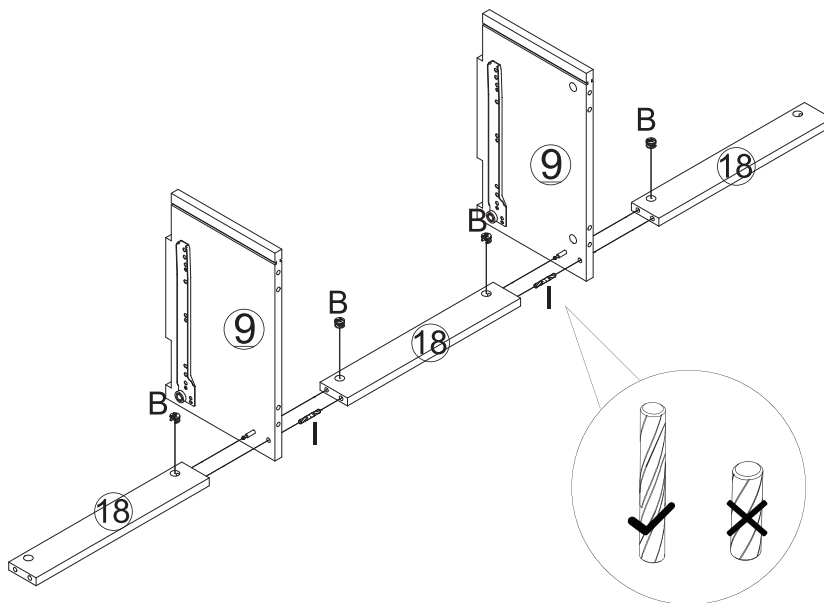
X 2PCS

 A X 5PCS

 E X 8PCS



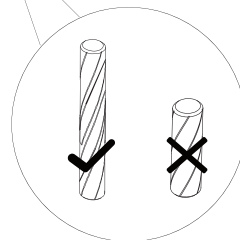
STEP 4



Panel Needed:

⑨ X 2PCS

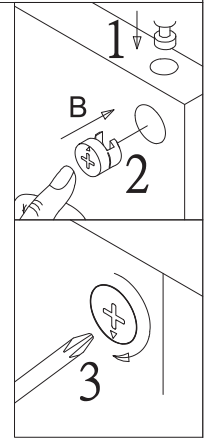
⑱ X 3PCS



Pay attention to I
longer than C

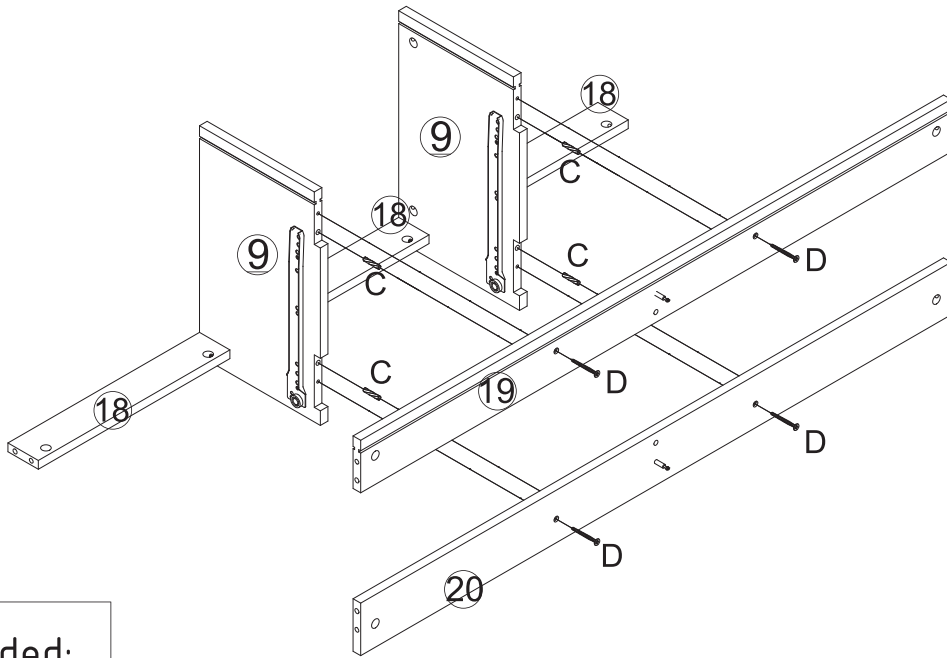
 B X 4PCS

 I X 2PCS



Installation Steps

STEP 5



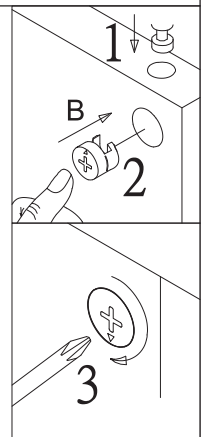
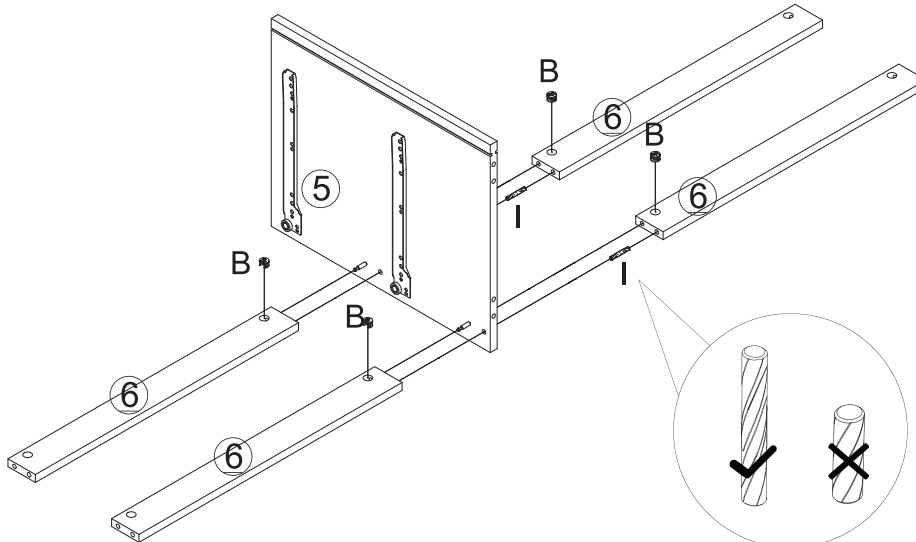
Panel Needed:

①⑨ X 2PCS

②⑩ X 3PCS



STEP 6



Pay attention to I
longer than C

Panel Needed:

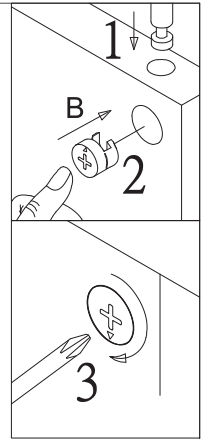
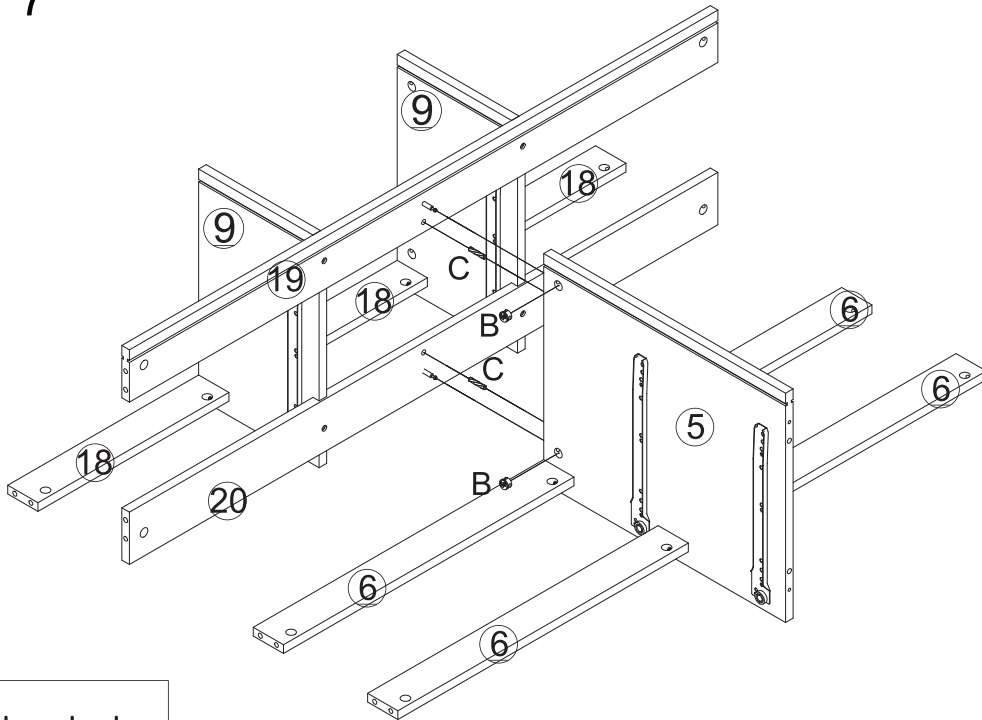
①⑤ X 1PCS

①⑥ X 4PCS



Installation Steps

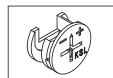
STEP 7



Panel Needed:

⑤ X 1PCS

⑥ X 4PCS

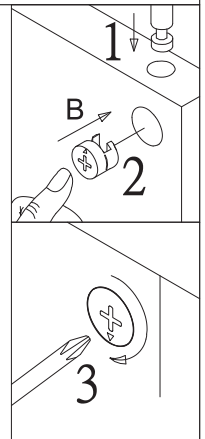
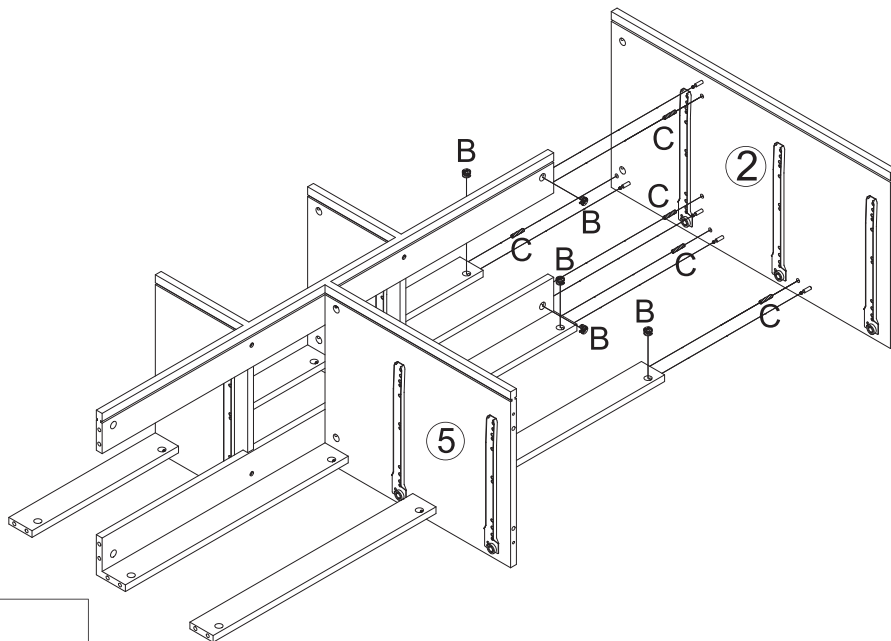


B X 2PCS



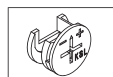
C X 2PCS

STEP 8



Panel Needed:

② X 1PCS



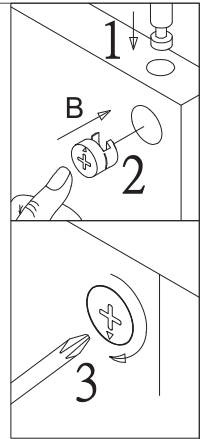
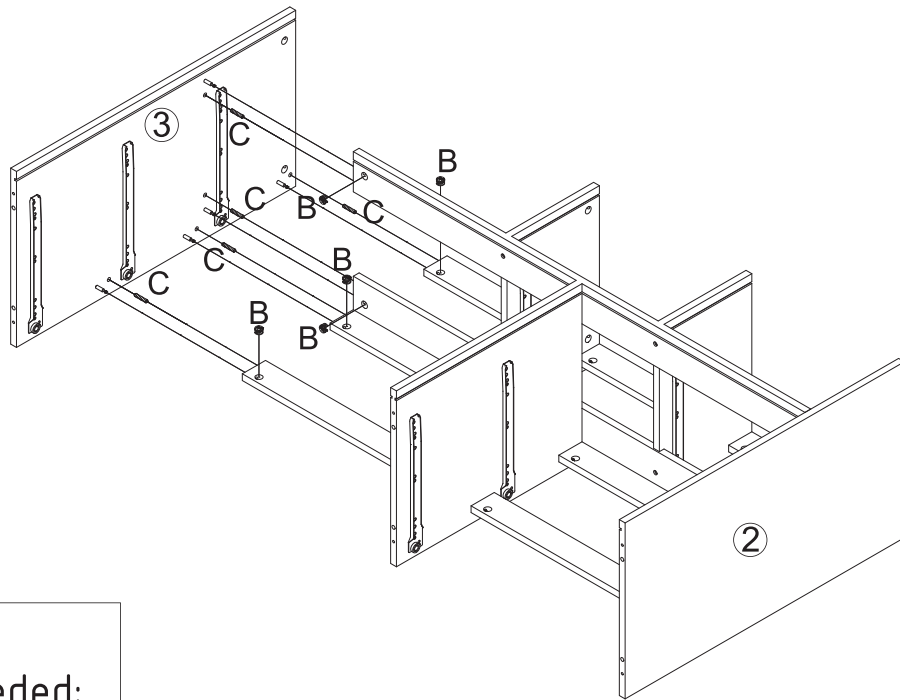
B X 5PCS



C X 5PCS

Installation Steps

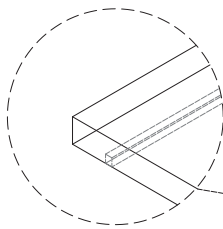
STEP 9



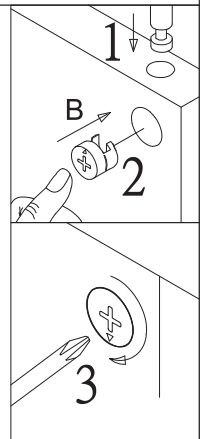
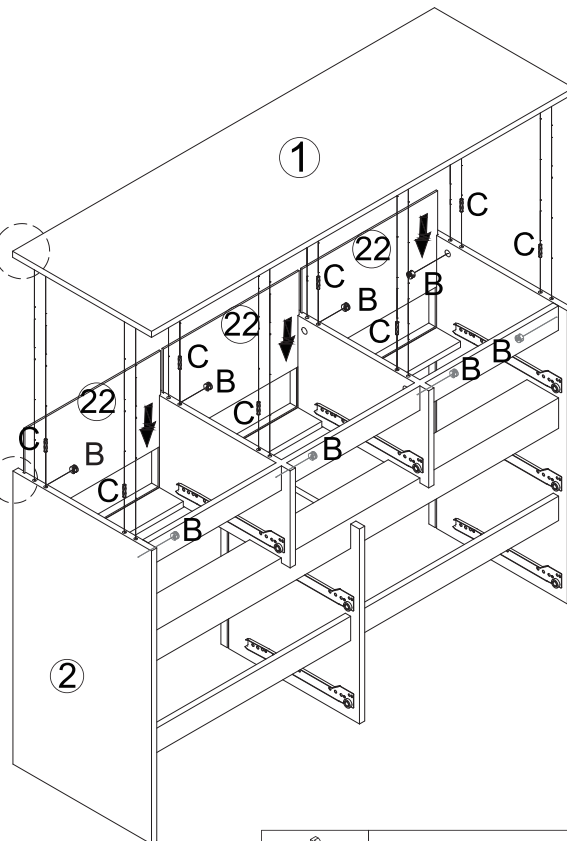
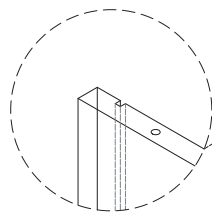
Panel Needed:
③ X 1PCS

	B X 5PCS		C X 5PCS
---	----------	---	----------

STEP 10



Pay attention to aligning the slot position

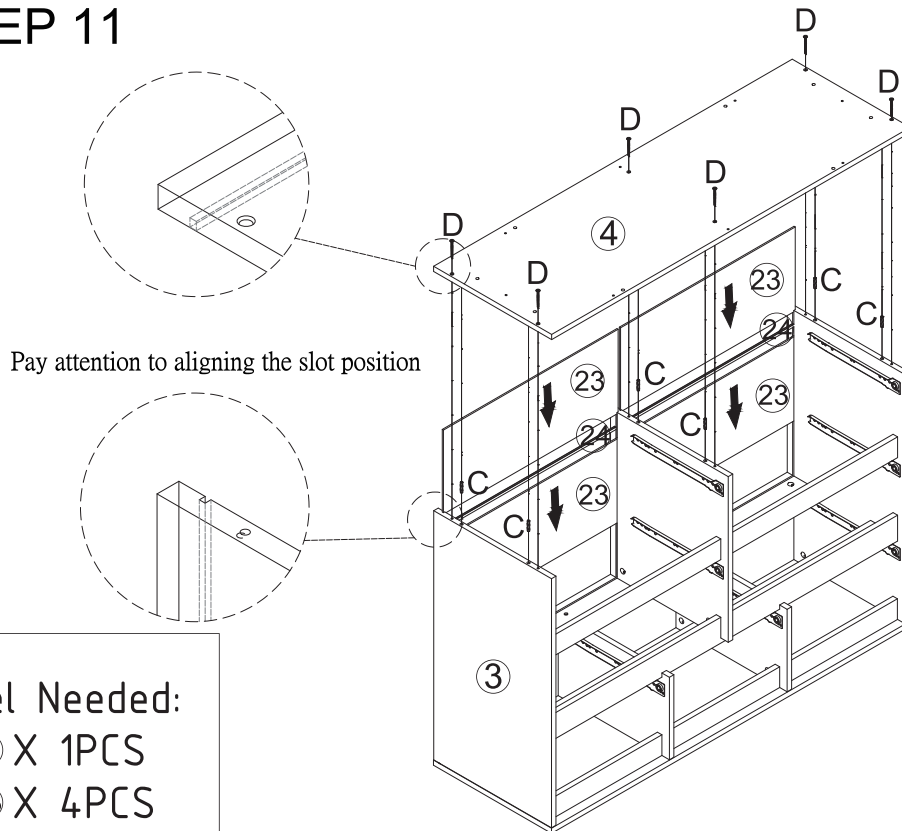


Panel Needed:
① X 1PCS
②② X 3PCS

	B X 8PCS		C X 8PCS
---	----------	---	----------

Installation Steps

STEP 11



Panel Needed:

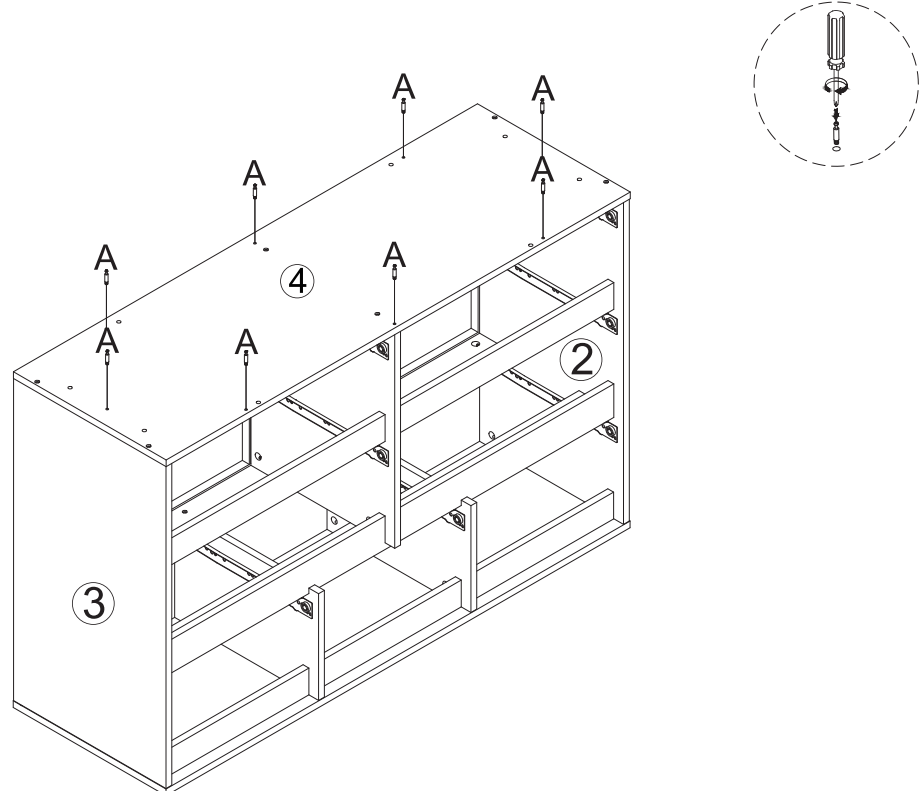
④ X 1PCS

②③ X 4PCS

②④ X 2PCS



STEP 12



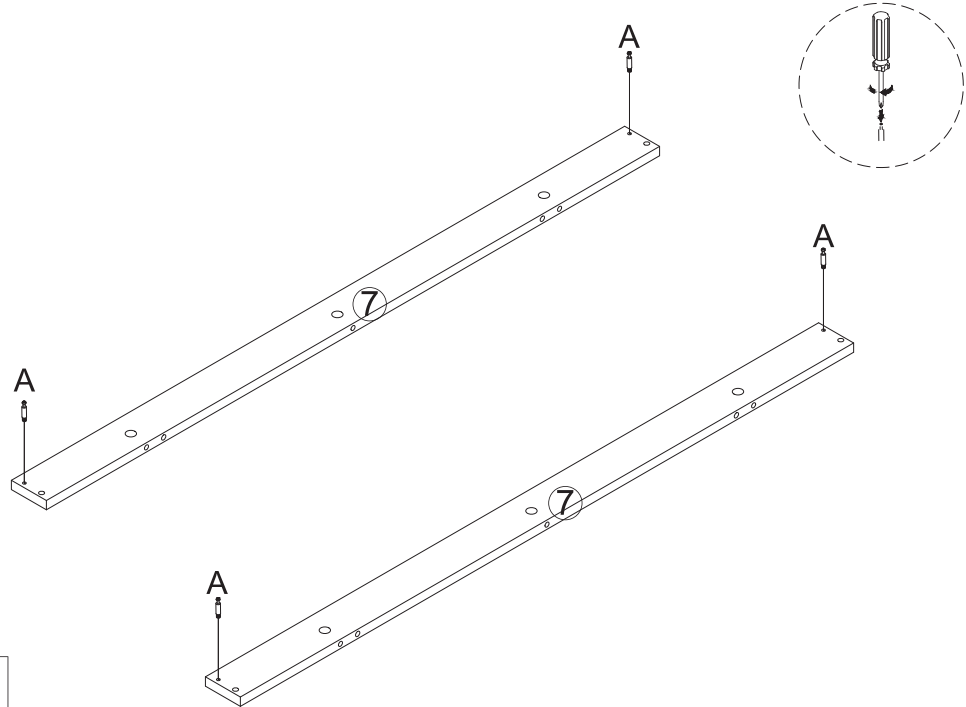
Panel Needed:

④ X 1PCS



Installation Steps

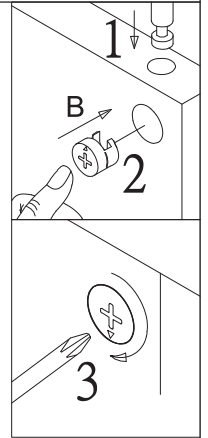
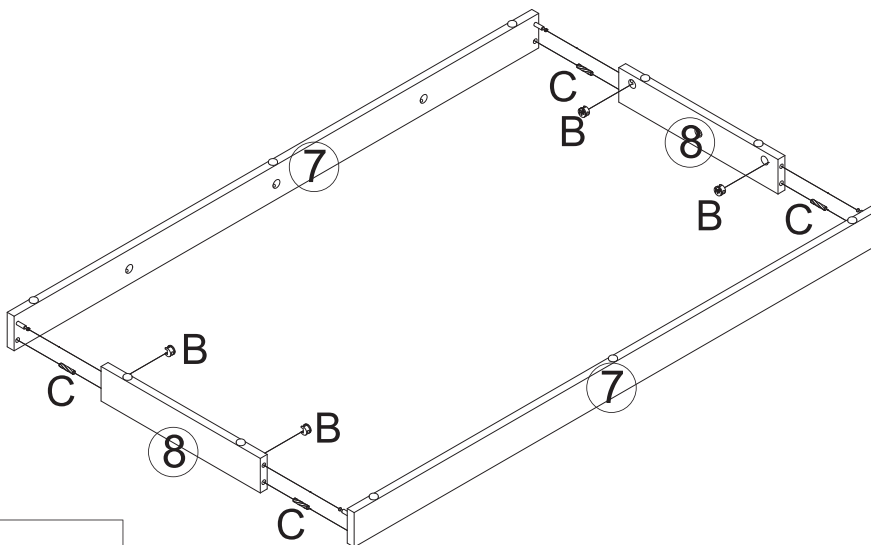
STEP 13



Panel Needed:
 ⑦ X 2PCS

 A X 4PCS

STEP 14



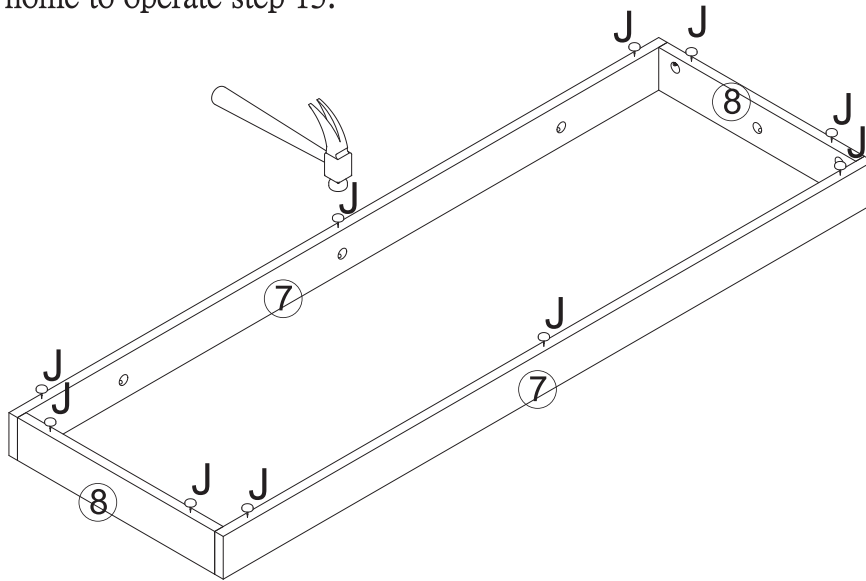
Panel Needed:
 ⑦ X 2PCS
 ⑧ X 2PCS

 B X 4PCS  C X 4PCS

Installation Steps

STEP 15

Use a hammer at home to operate step 15.



Panel Needed:

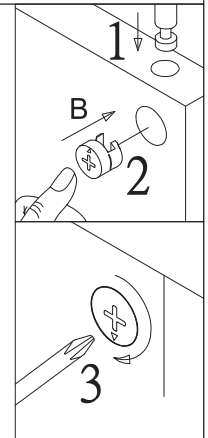
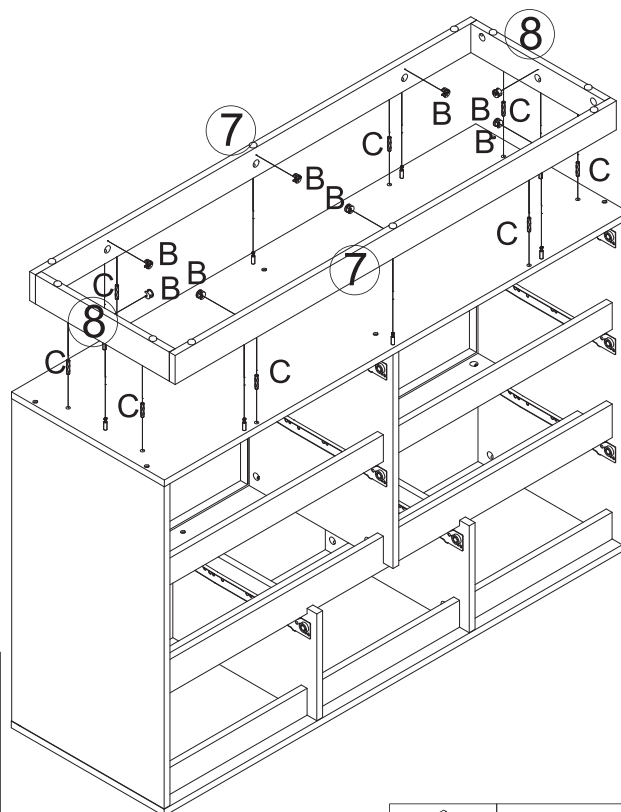
⑦ X 2PCS

⑧ X 2PCS



J X 10PCS

STEP 16



Panel Needed:

⑦ X 2PCS

⑧ X 2PCS



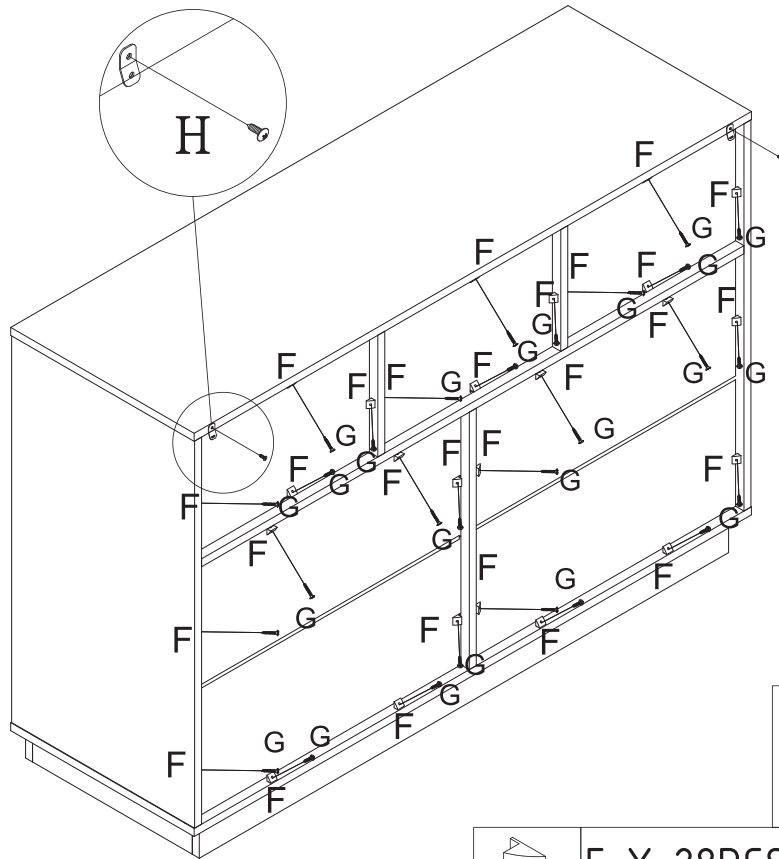
B X 8PCS



C X 8PCS

Installation Steps

STEP 17



 H X 2PCS

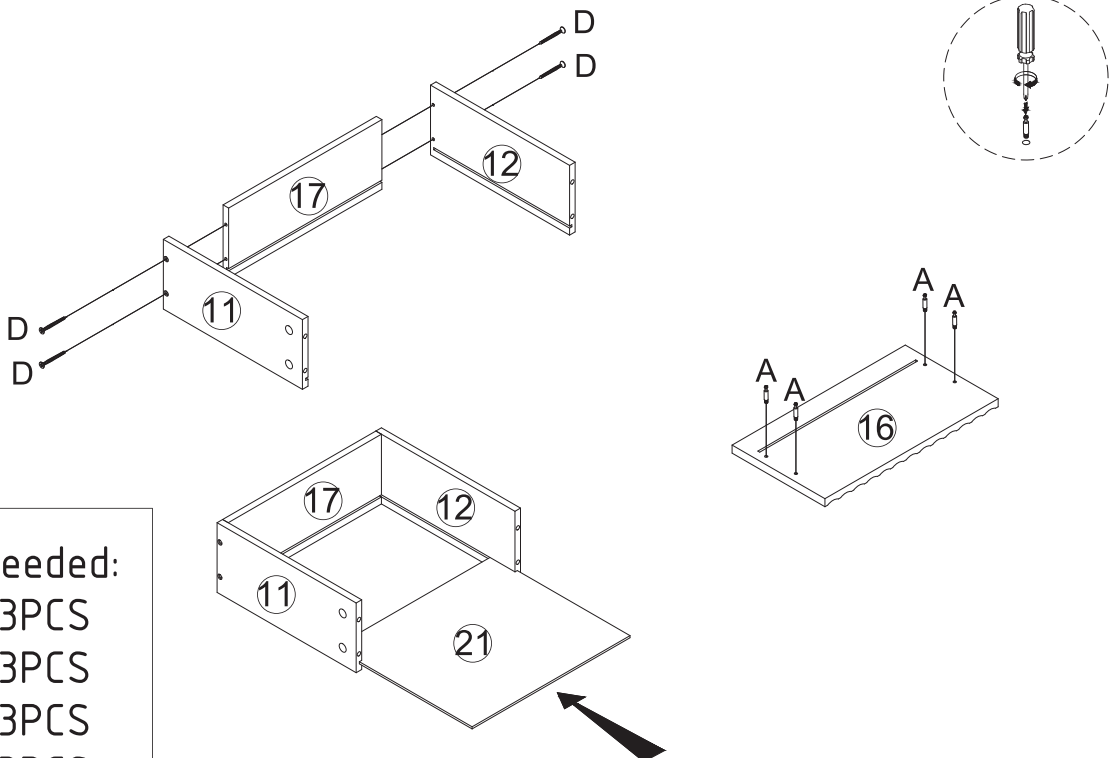


F X 28PCS



G X 28PCS

STEP 18



Panel Needed:

- ①① X 3PCS
- ①② X 3PCS
- ①⑥ X 3PCS
- ①⑦ X 3PCS
- ②① X 3PCS



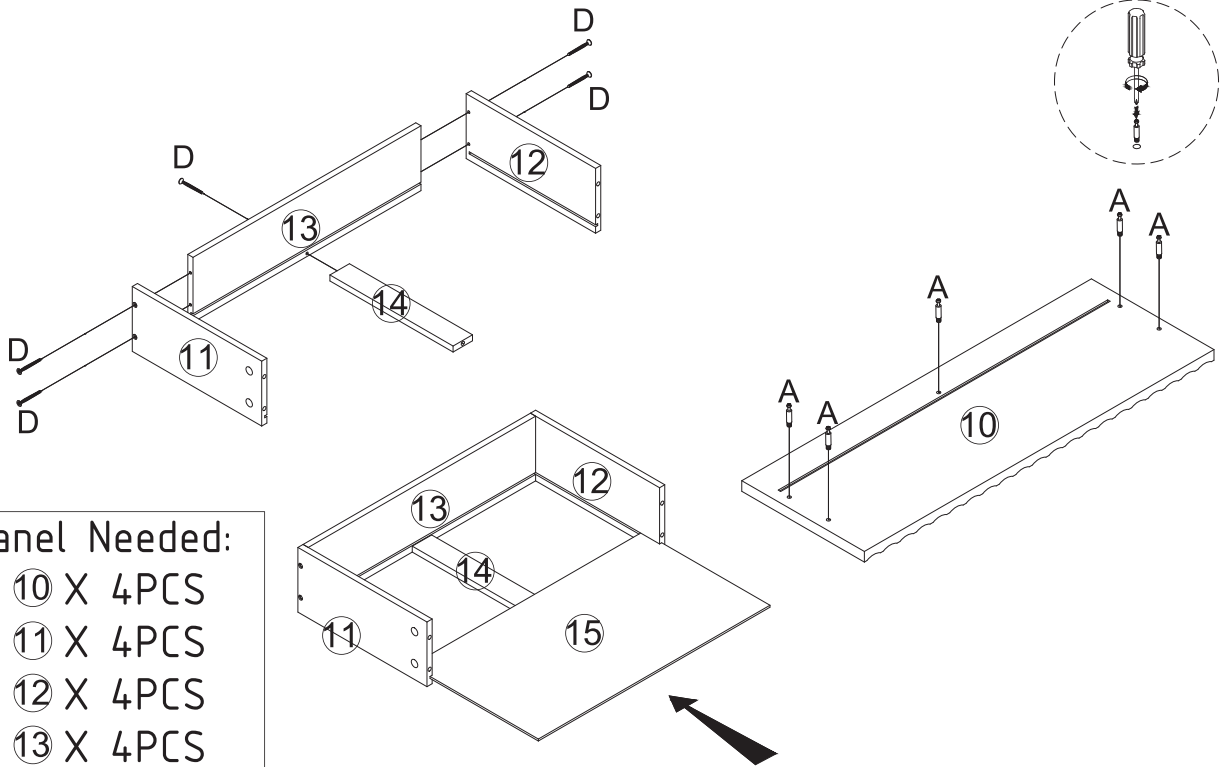
A X 12PCS



D X 12PCS

Installation Steps

STEP 19

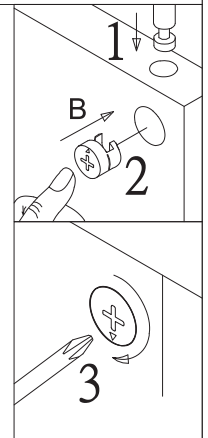
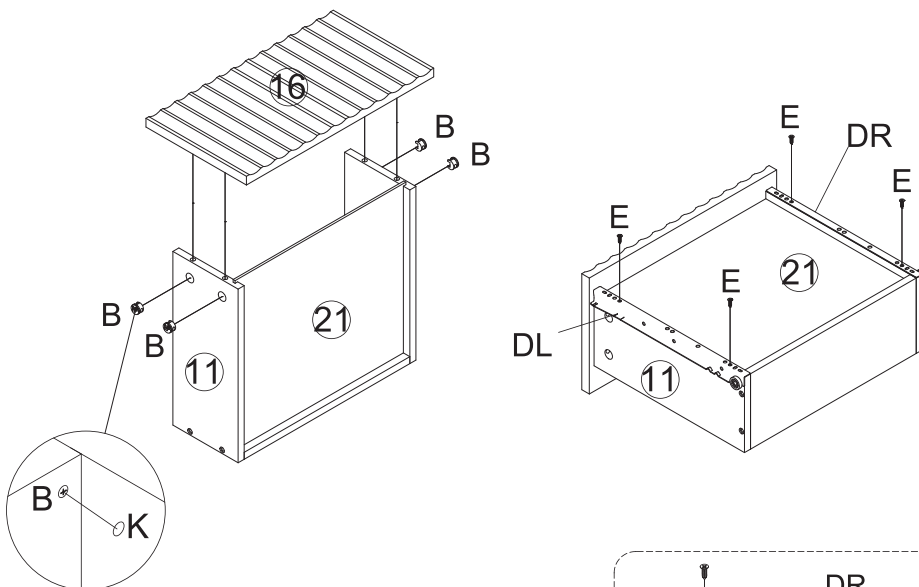


Panel Needed:

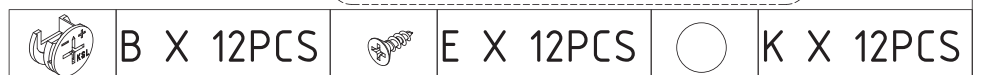
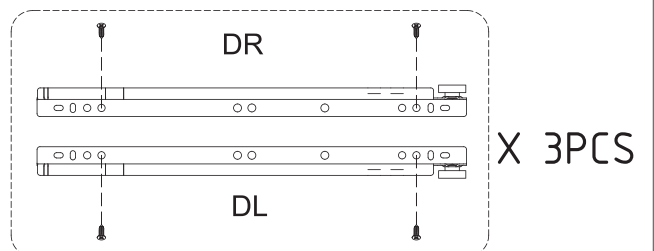
- ⑩ X 4PCS
- ⑪ X 4PCS
- ⑫ X 4PCS
- ⑬ X 4PCS
- ⑭ X 4PCS
- ⑮ X 4PCS



STEP 20

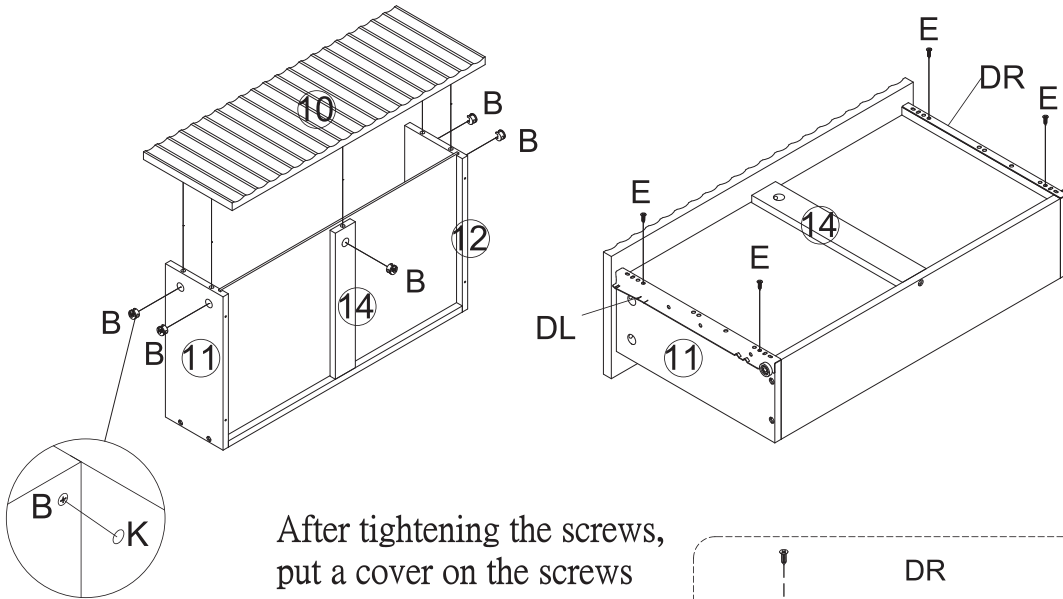
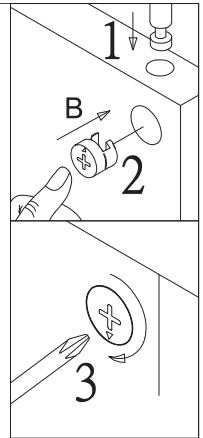


Panel Needed:
⑯ X 3PCS



Installation Steps

STEP 21



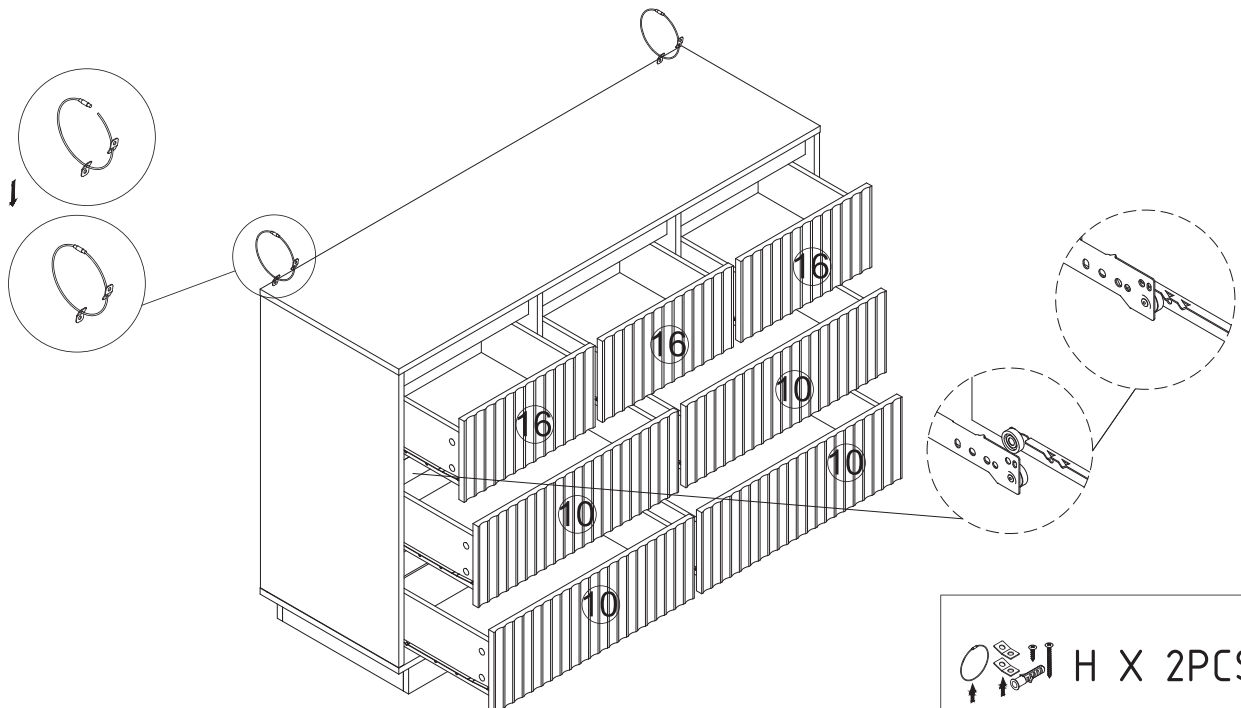
After tightening the screws, put a cover on the screws

Panel Needed:
⑩ X 4PCS

	B X 20PCS		E X 16PCS		K X 16PCS
--	-----------	--	-----------	--	-----------

STEP 22

TIPS: Remove the protective film after assembly from panel 10 and 16 as per the drawing.

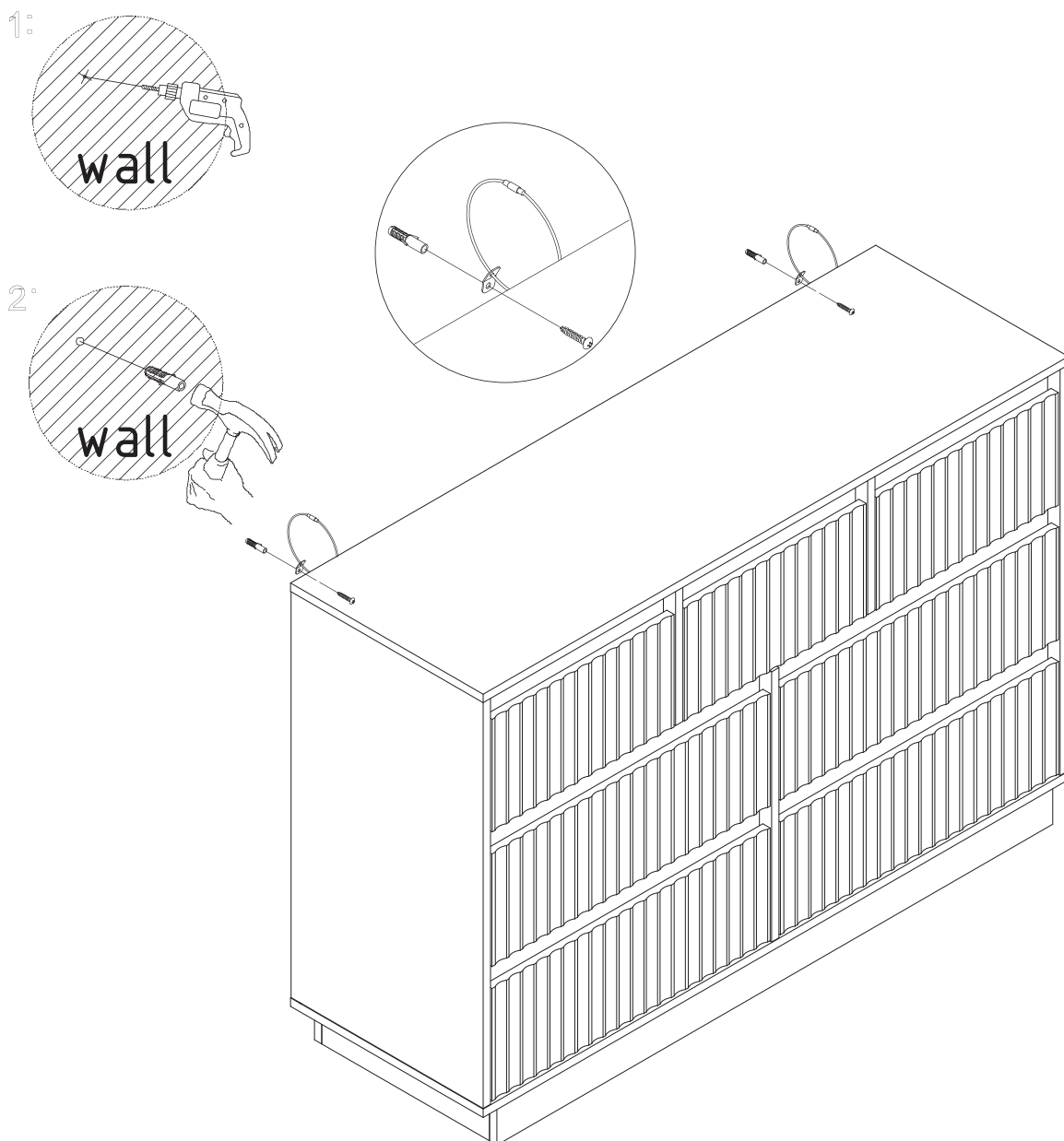


H X 2PCS

Installation Steps

STEP 23

WARNING :Always ensure the area to be drilled is free from hidden electrical wires,water and gas pipes.



Use the driller and hammer tool you have at home to operate the H

