

ASSEMBLY INSTRUCTION

Thank you for purchasing this quality product. Be sure to check all packing material carefully for small parts which may have come loose inside the carton during shipment. Separate, identify and count all parts and hardware. Compare with the parts list to be sure all parts are present.

IMPORTANT : PLEASE READ INSTRUCTION BEFORE STARTING THE ASSEMBLY.

"DO NOT TIGHTEN SCREWS UNTIL COMPLETELY ASSEMBLED"

"DO NOT OVERTIGHT ANY HARDWARE"

WARNING : SMALL PARTS AND HARDWARE NOT FOR CHILDREN UNDER 3 YEARS. ADULT ASSEMBLY REQUIRED.

PLEASE TAKE NOTE

****This product requires assembly by two adults.**

****Some assembly steps require additional support from a second person.**

TABLE OF CONTENTS

HARDWARES LIST

PAGE 2 - 3

PARTS LIST

PAGE 3 - 4

PARTS' LOCATION

PAGE 5

ASSEMBLY STEPS

PAGE 6 - 18

ASSEMBLY COMPLETED

PAGE 18

ANTI-TIPPING INSTALLMENT
INSTRUCTIONS

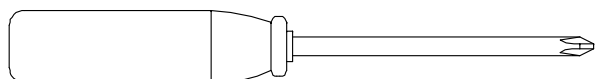
PAGE 19

PAY ATTENTION ITEMS

PAGE 20

ASSEMBLY TOOLS REQUIRED

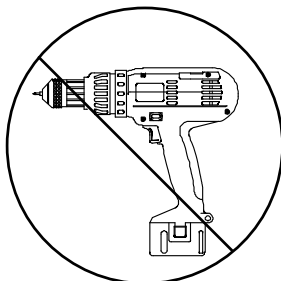
1. Screwdriver (not provide)



2. Hammer (not provide)

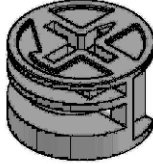
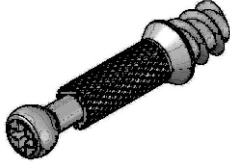

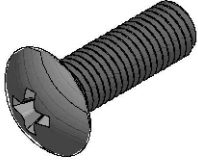
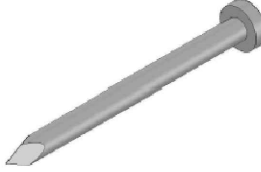
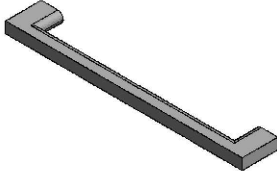
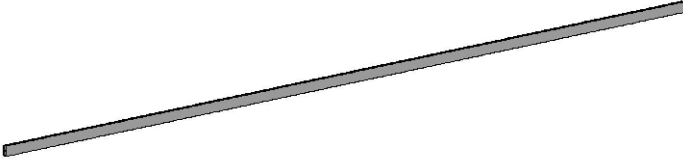
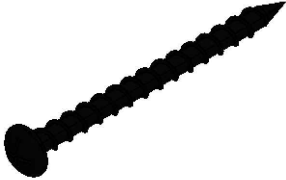
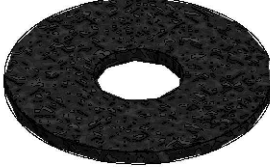


Skip the power trip this time.



ASSEMBLY INSTRUCTION

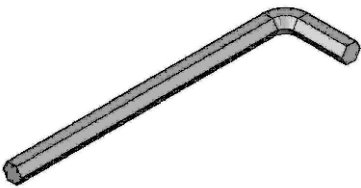
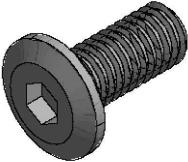
HARDWARES LIST

ITEM	DESCRIPTION	DRAWING	QTY
A	MINIFIX CAM LOCK		50 PCS
B	MINIFIX CAM BOLT		50 PCS
C	WOOD DOWEL (M6 x 25MM)		56 PCS
D	TRUSS M-SCREW (16MM)		10 PCS
E	6/8" NAIL		24 PCS
F	HANDLE		5 PCS
G	PLASTIC STRIP (H SHAPE)		1 PC
H	PAN HEAD SCREW M4 x 50mm		1 PC
I	FLAT WASHER M6 x 19mm		1 PC

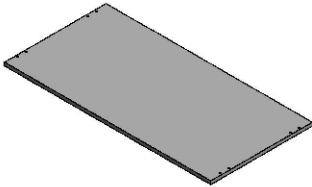
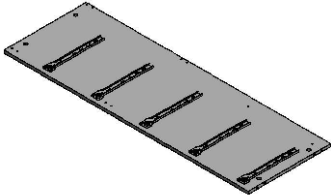
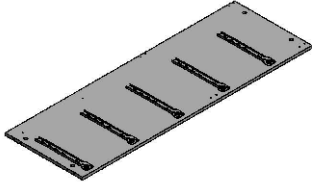
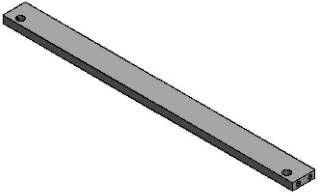
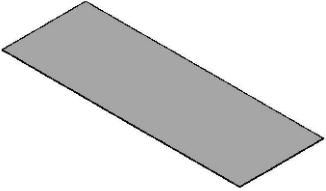
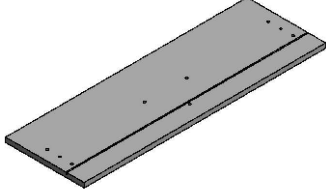
MORE HARDWARES DETAIL IN NEXT PAGE...

ASSEMBLY INSTRUCTION

HARDWARES LIST

ITEM	DESCRIPTION	DRAWING	QTY
J	M4 ALLEN KEY (65MM)		1 PC
K	JCBC SCREW M6 x 12MM		8 PCS

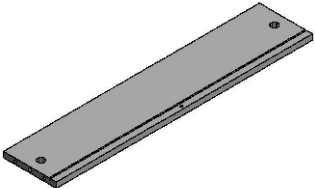
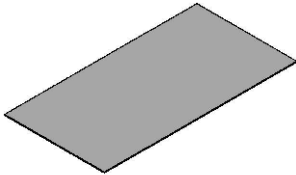
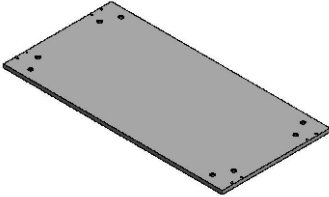
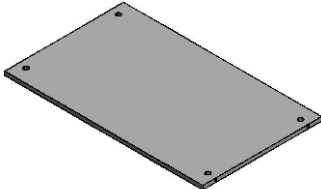
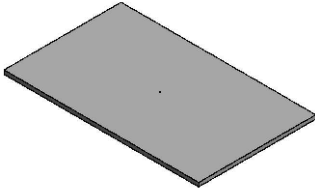
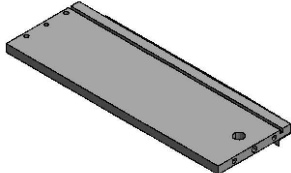
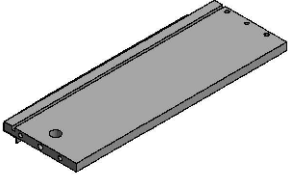
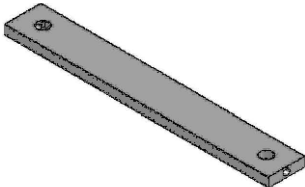
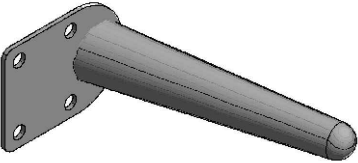
PARTS LIST

ITEM	DESCRIPTION	DRAWING	QTY
C1	TOP PANEL		1 PC
C2	LEFT PANEL		1 PC
C3	RIGHT PANEL		1 PC
C4	SUPPORT RAIL		4 PCS
C5	BACK PANEL		2 PCS
C6	DRAWER HEAD		5 PCS

MORE PARTS DETAIL IN NEXT PAGE...

ASSEMBLY INSTRUCTION

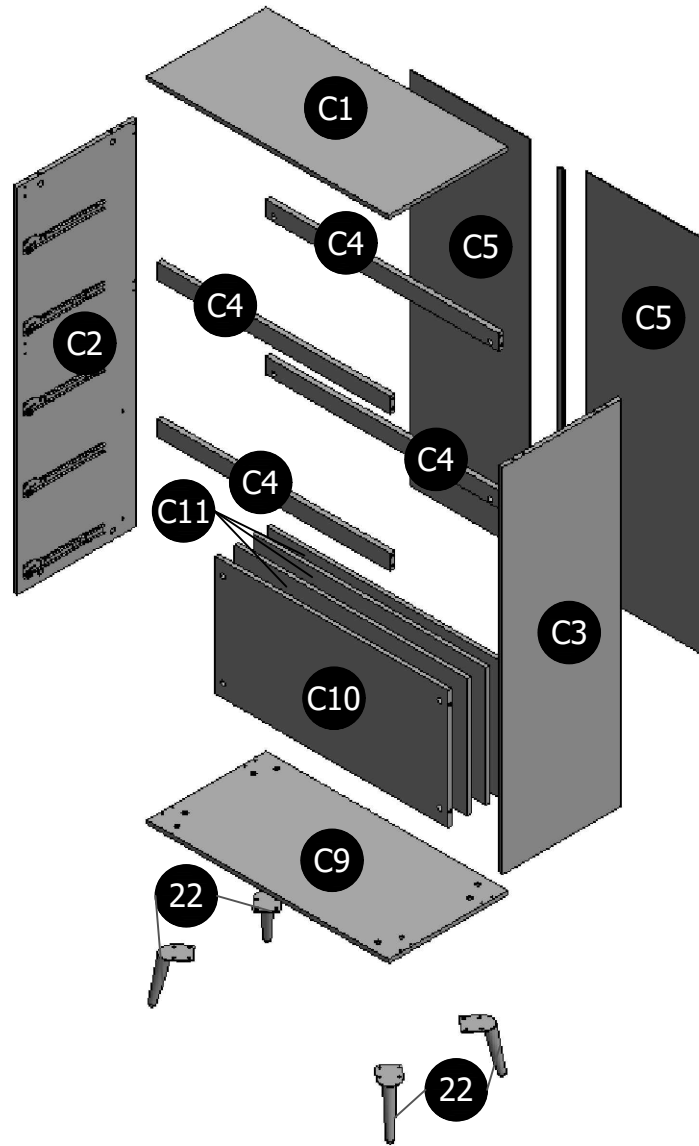
PARTS LIST

ITEM	DESCRIPTION	DRAWING	QTY
C7	DRAWER BACK PANEL		5 PCS
C8	DRAWER BOTTOM PANEL		5 PCS
C9	BOTTOM PANEL		1 PC
C10	FRONT TIPPING PANEL		1 PC
C11	BACK TIPPING PANEL		3 PCS
19	DRAWER LEFT PANEL		5 PCS
20	DRAWER RIGHT PANEL		5 PCS
21	DRAWER BOTTOM SUPPORT RAIL		5 PCS
22	LEG		4 PCS

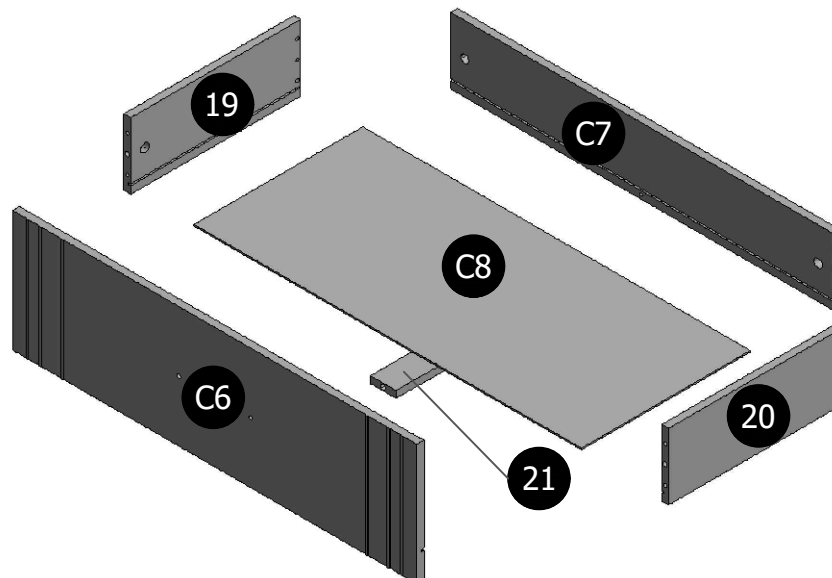
ASSEMBLY INSTRUCTION

PARTS ' LOCATION

CHEST x 1 PC



DRAWER x 5 PCS

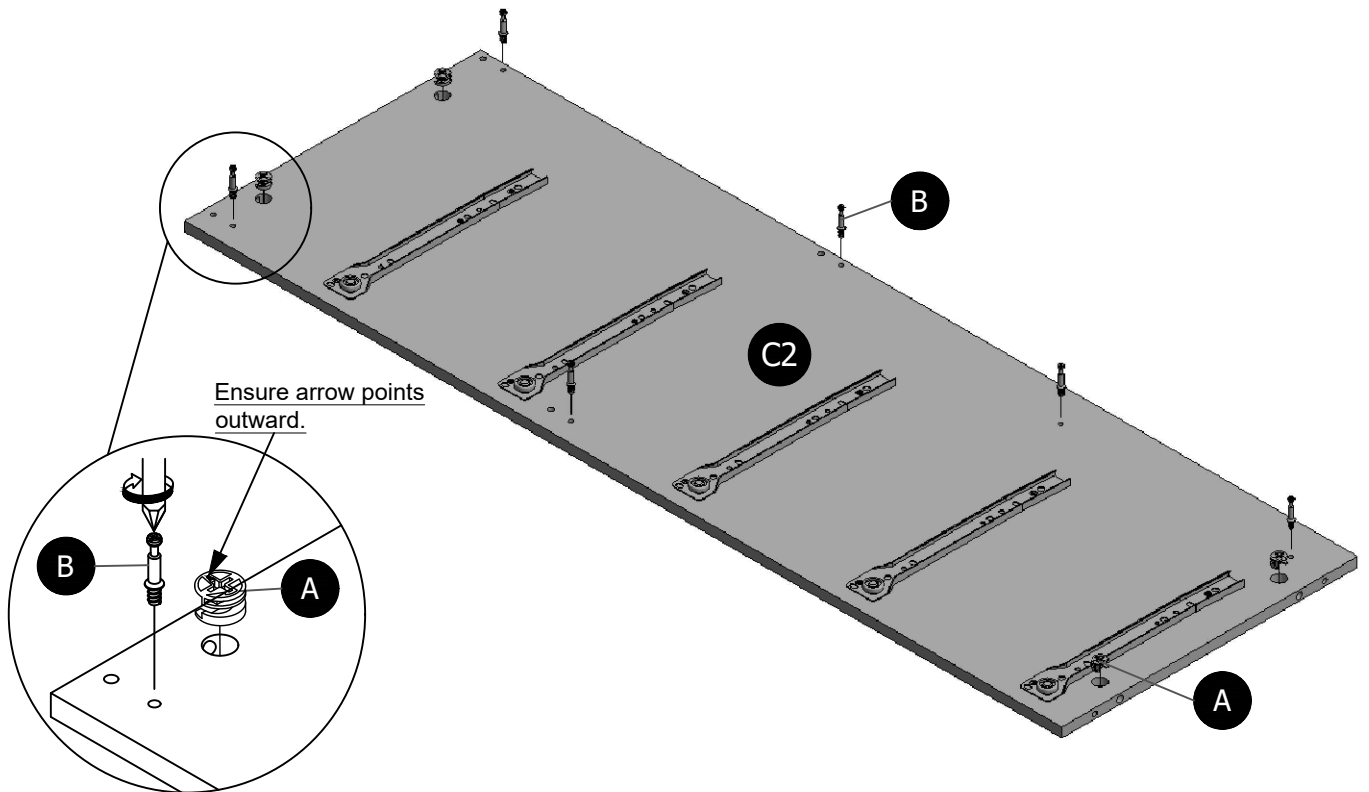


ASSEMBLY INSTRUCTION

ASSEMBLY STEPS

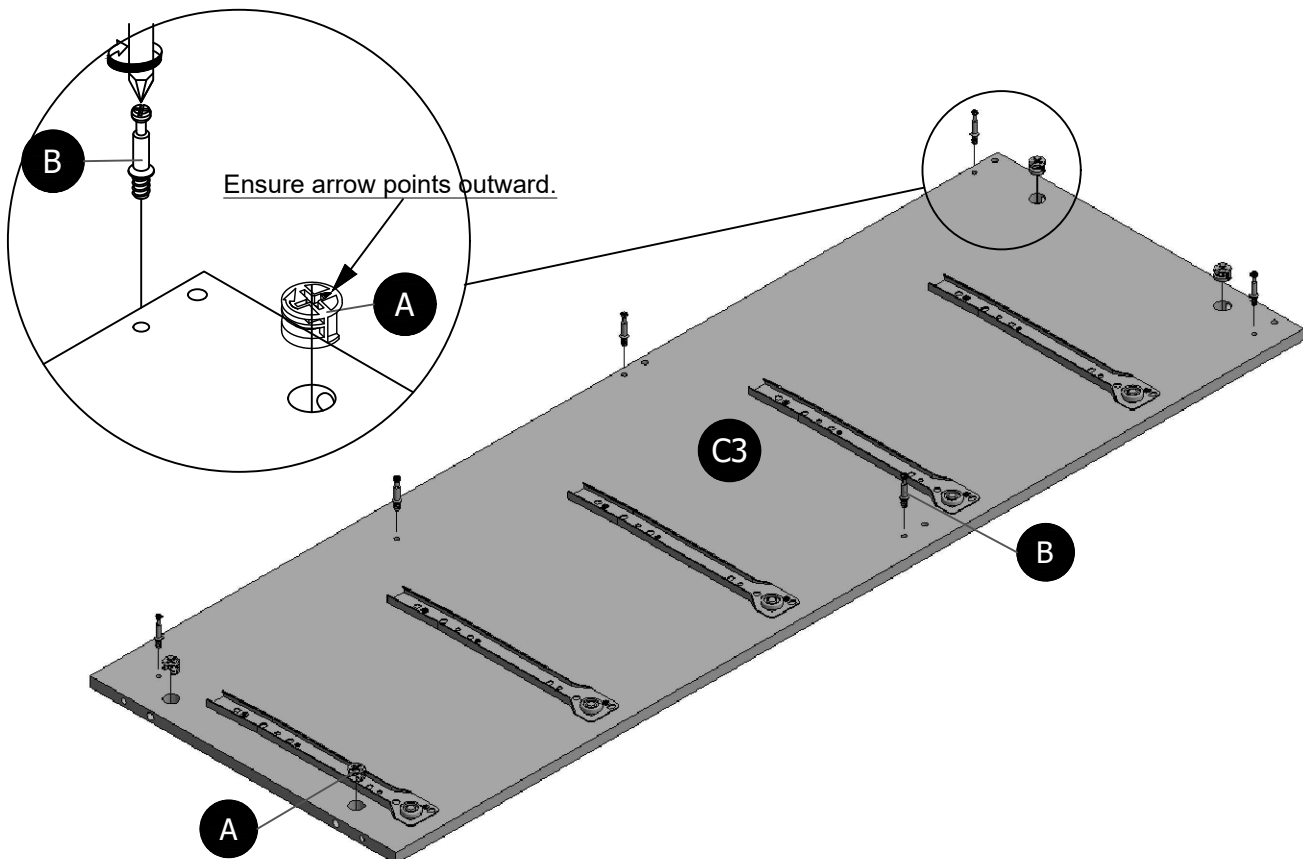
STEP 1

Insert 4pcs (A) and screw in 6pcs (B) into the (C2) as shown.



STEP 2

Insert 4pcs (A) and screw in 6pcs (B) into the (C3) as shown.

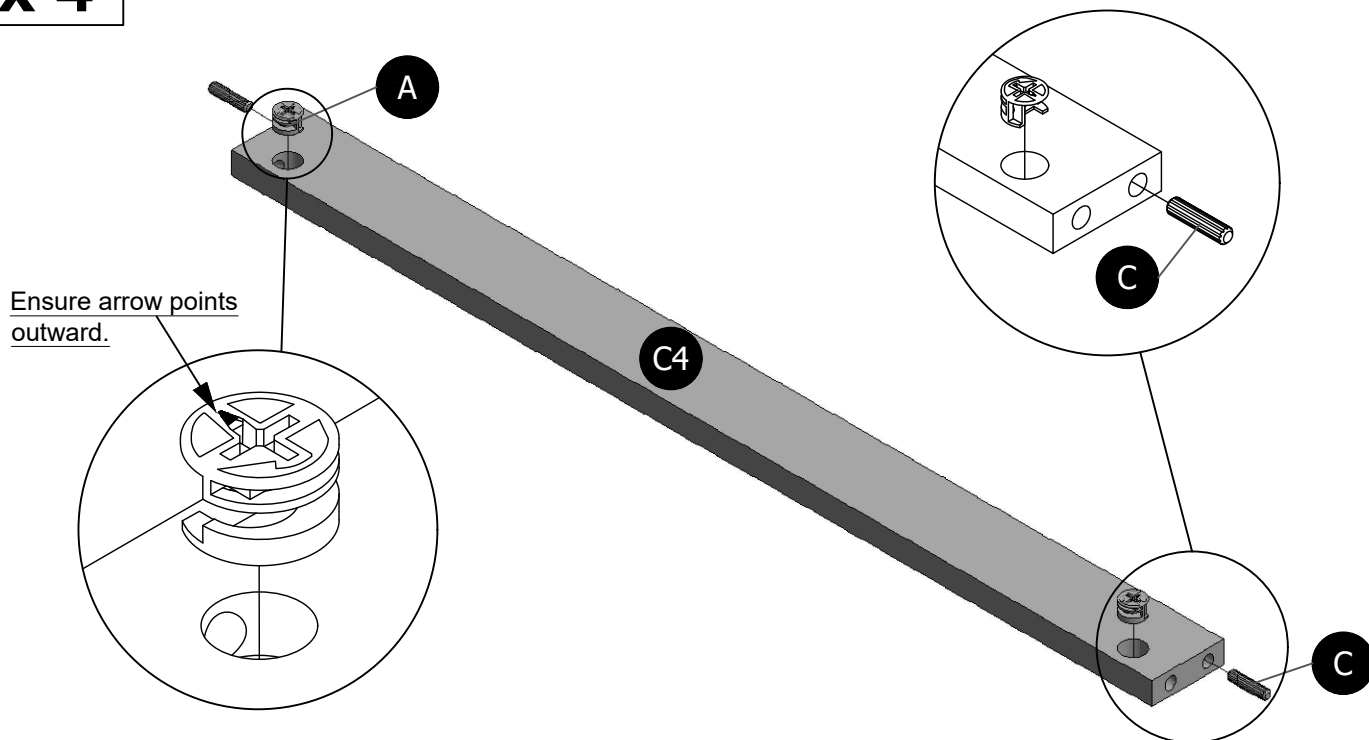


ASSEMBLY INSTRUCTION

STEP 3

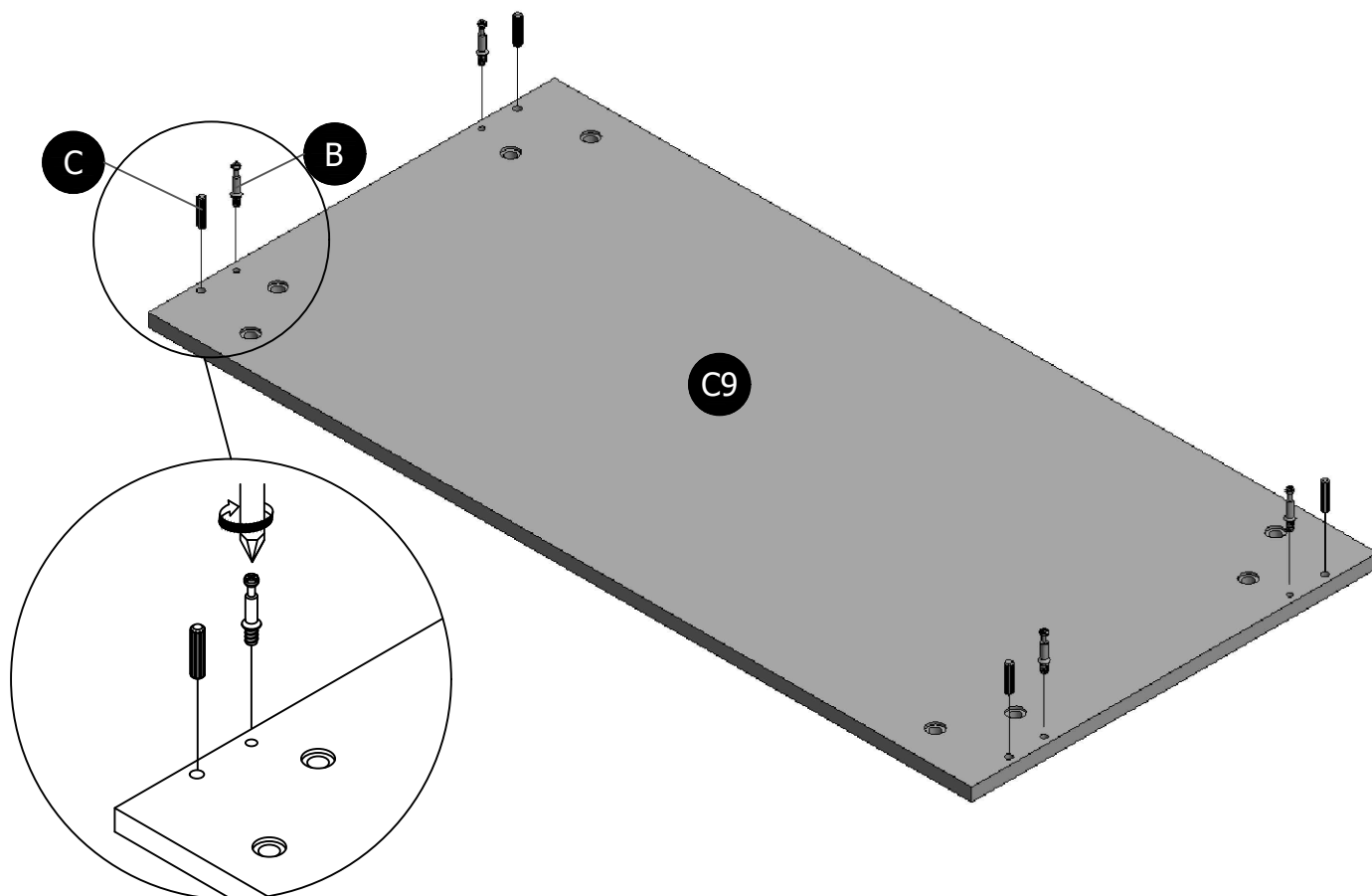
Insert 2pcs (A) & (C) into the (C4) as shown .

x 4



STEP 4

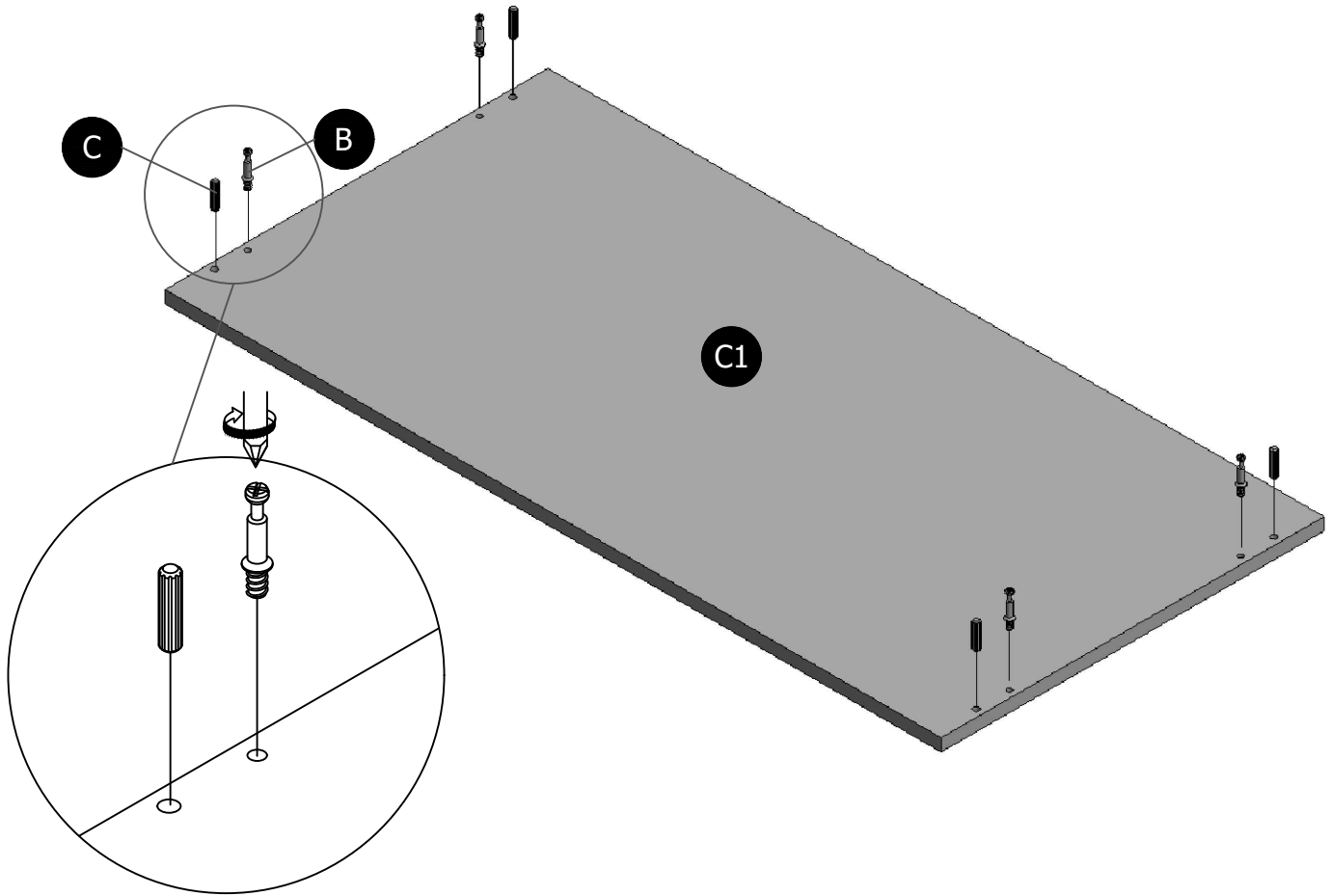
Insert 4pcs (C) into the (C9), then screw in 4pcs (B) as shown.



ASSEMBLY INSTRUCTION

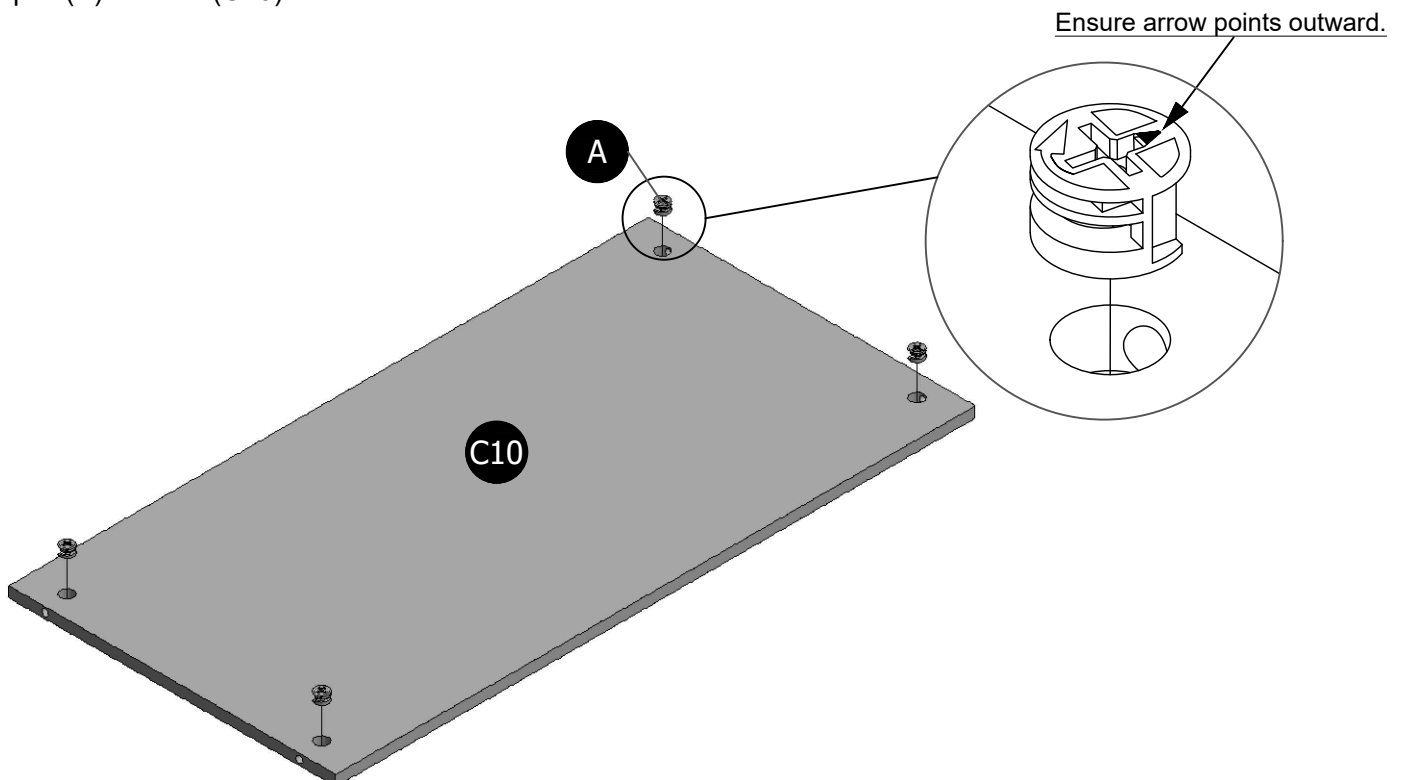
STEP 5

Insert 4pcs (C) into the (C1), then screw in 4pcs (B) as shown.



STEP 6

Insert 4pcs (A) into the (C10) as shown.

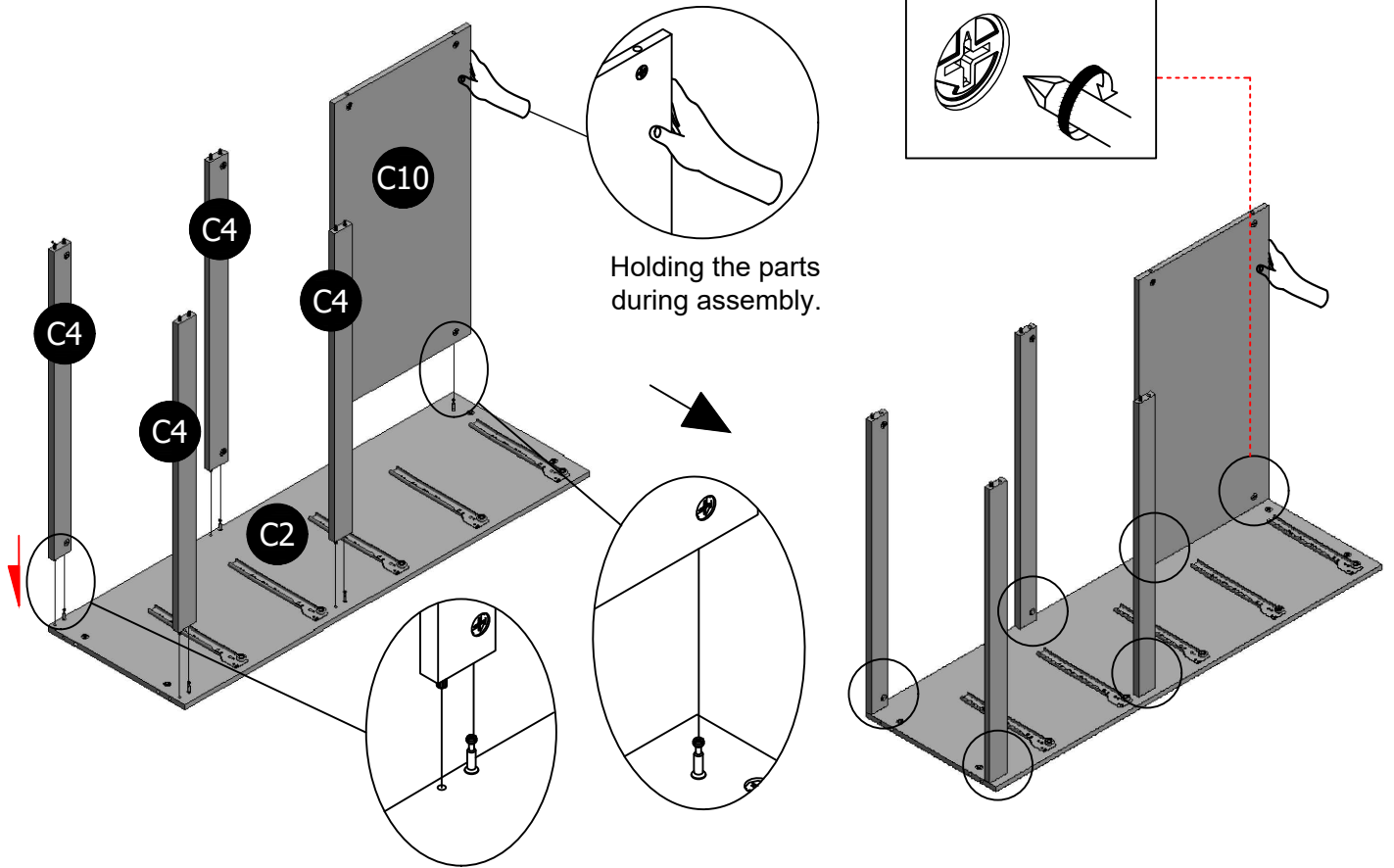


ASSEMBLY INSTRUCTION

STEP 7

Combine (C4) & (C10) into (C2), then tighten 6pcs (A) as shown.

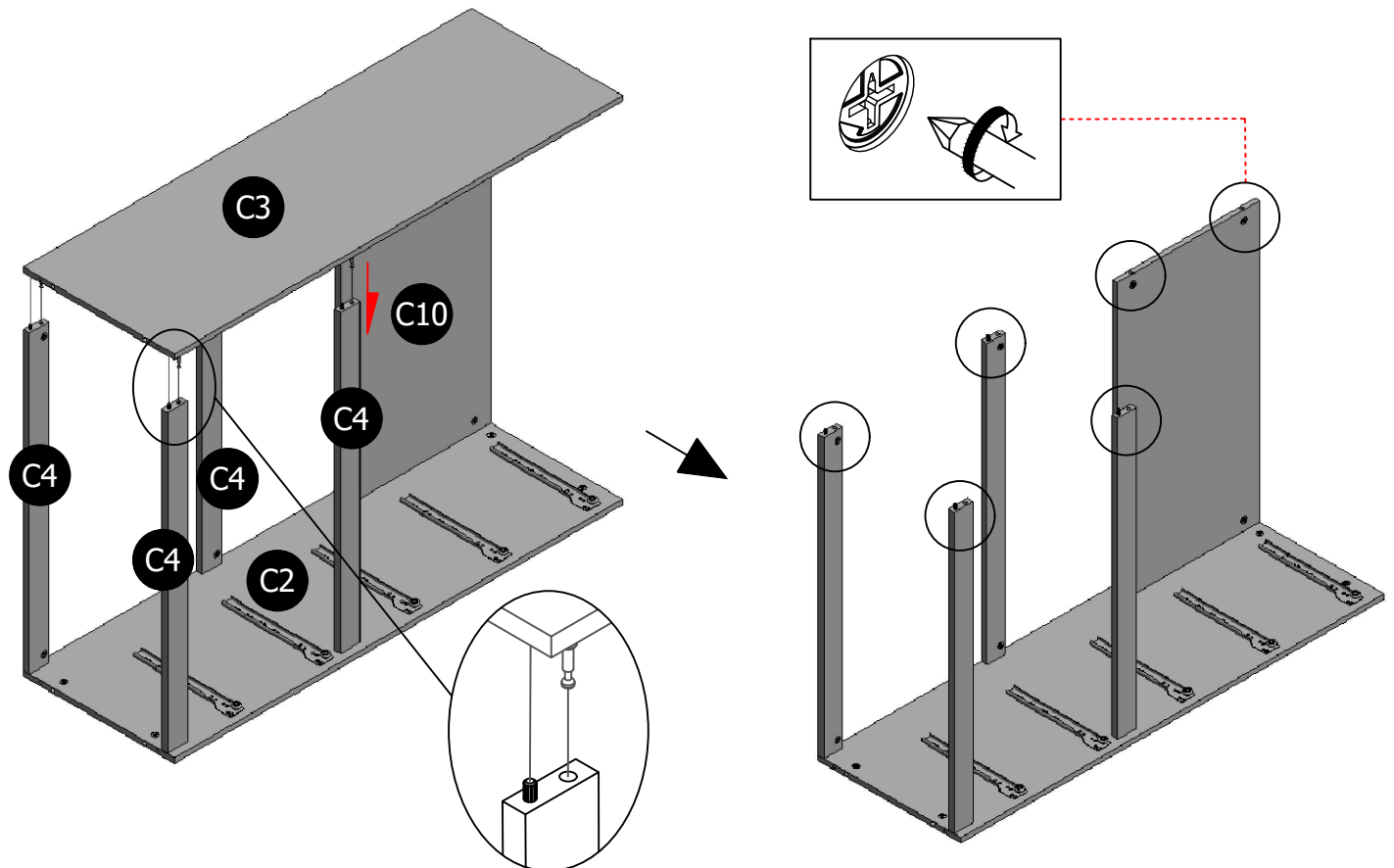
****This step require additional support from a second person.**



STEP 8

Combine (C3) into (C4) & (C10), then tighten 6pcs (A) as shown.

****This step require additional support from a second person.**

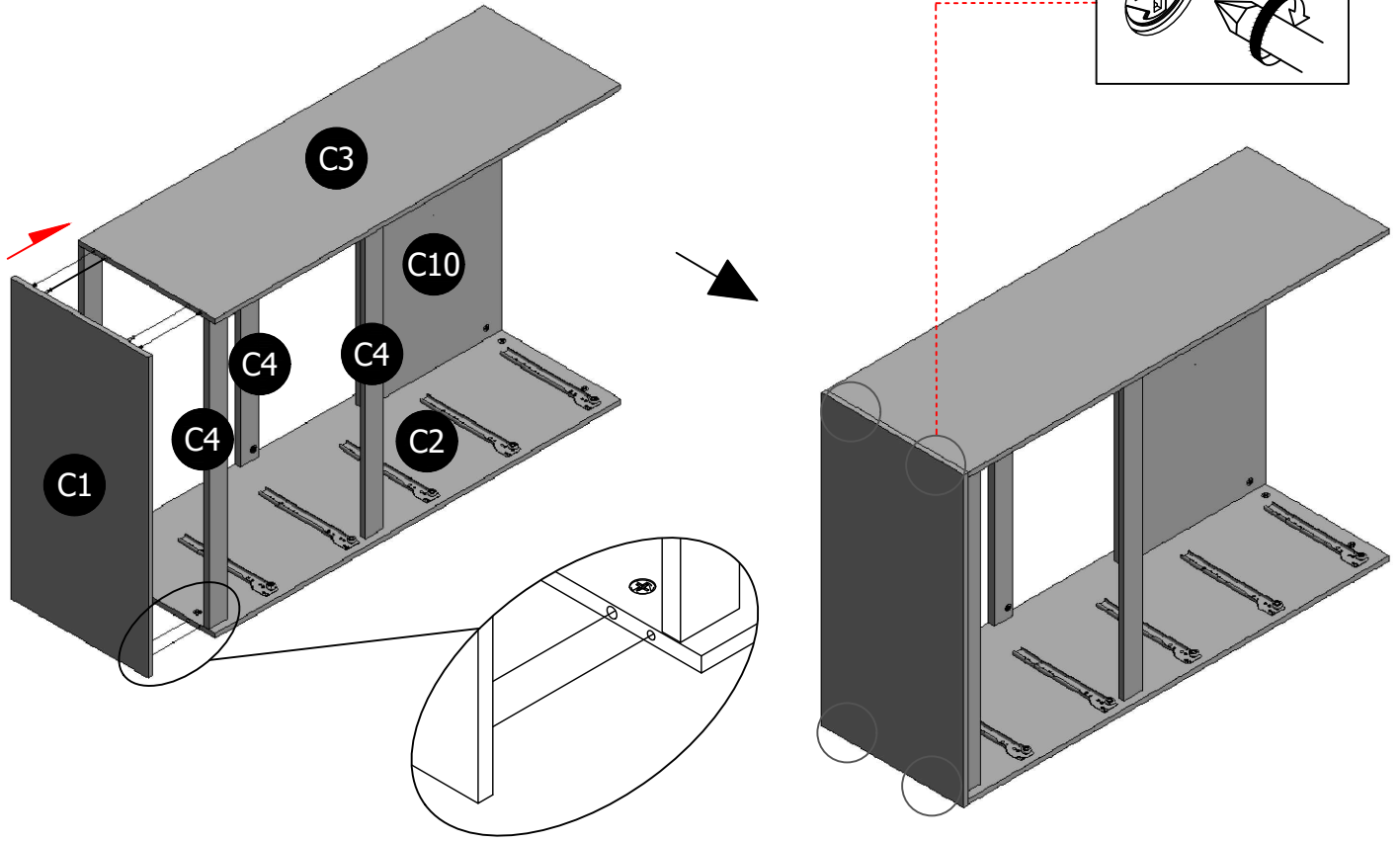


ASSEMBLY INSTRUCTION

STEP 9

Combine (C1) into (C2) & (C3), then tighten 4pcs (A) as shown.

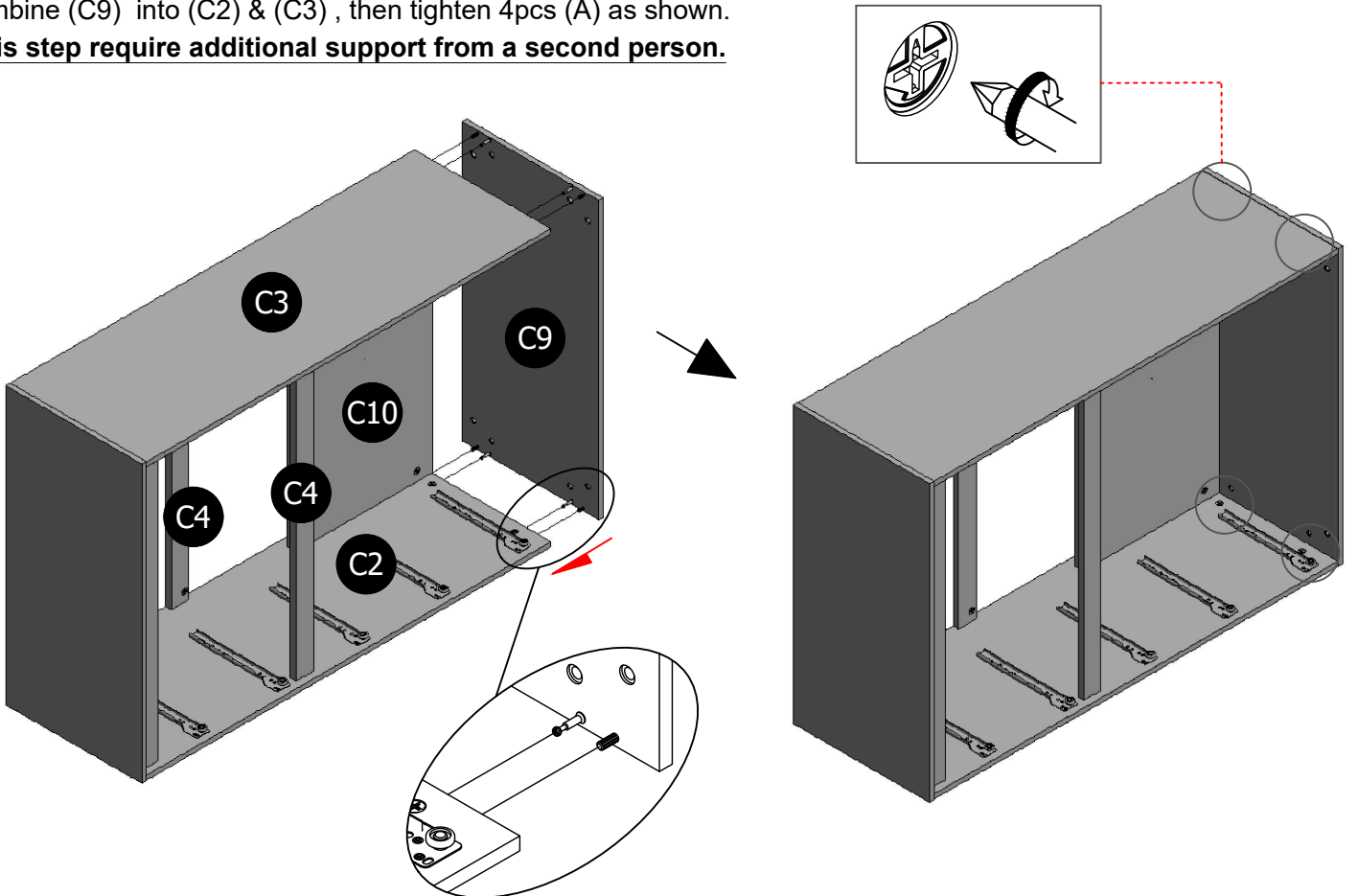
****This step require additional support from a second person.**



STEP 10

Combine (C9) into (C2) & (C3), then tighten 4pcs (A) as shown.

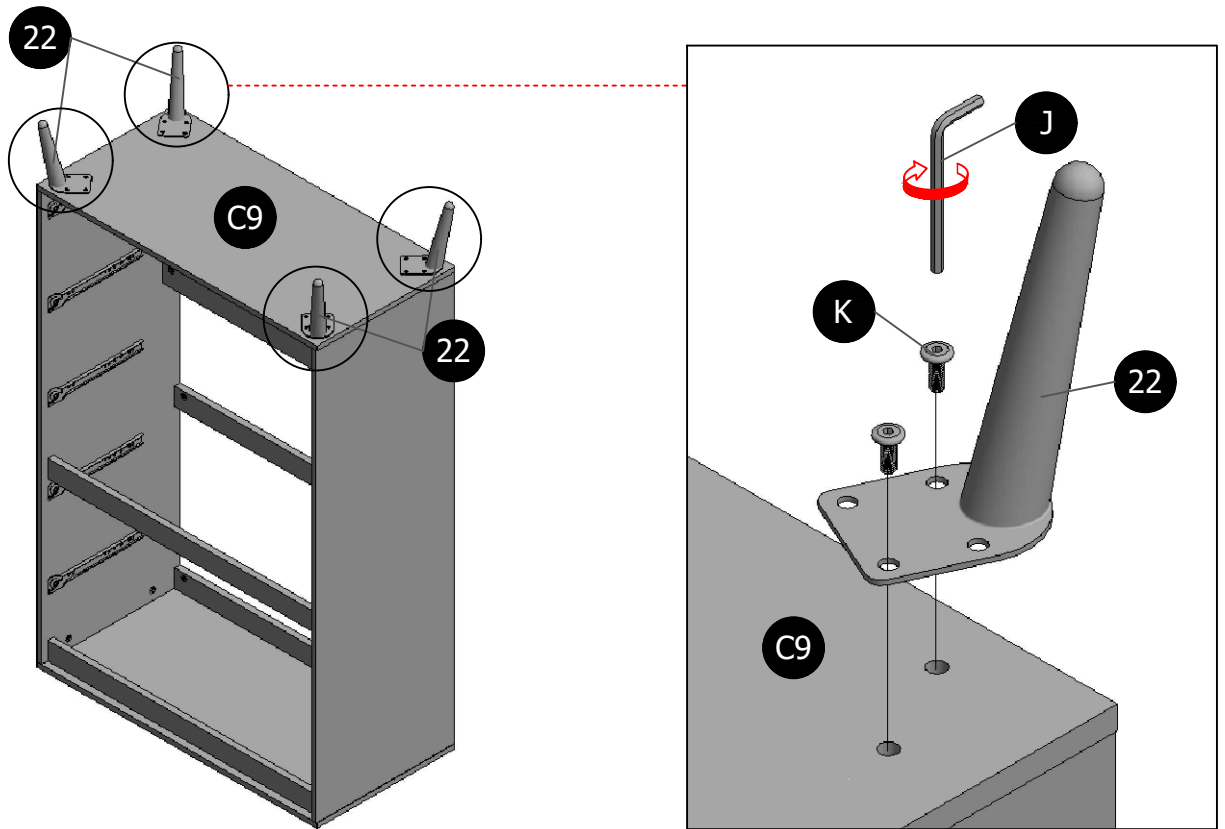
****This step require additional support from a second person.**



ASSEMBLY INSTRUCTION

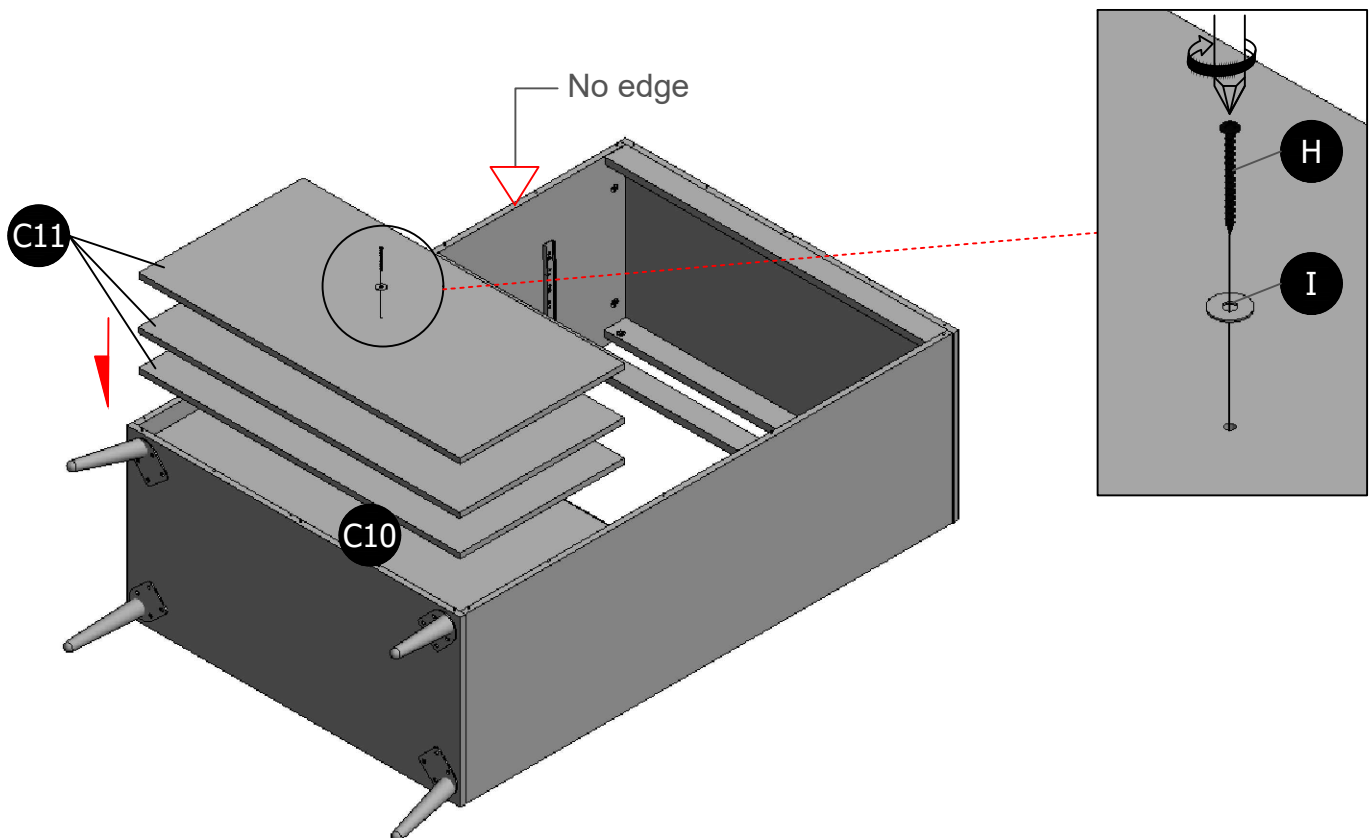
STEP 11

Secure 4pcs (22) to the (C9) using 8pcs (K) as shown.



STEP 12

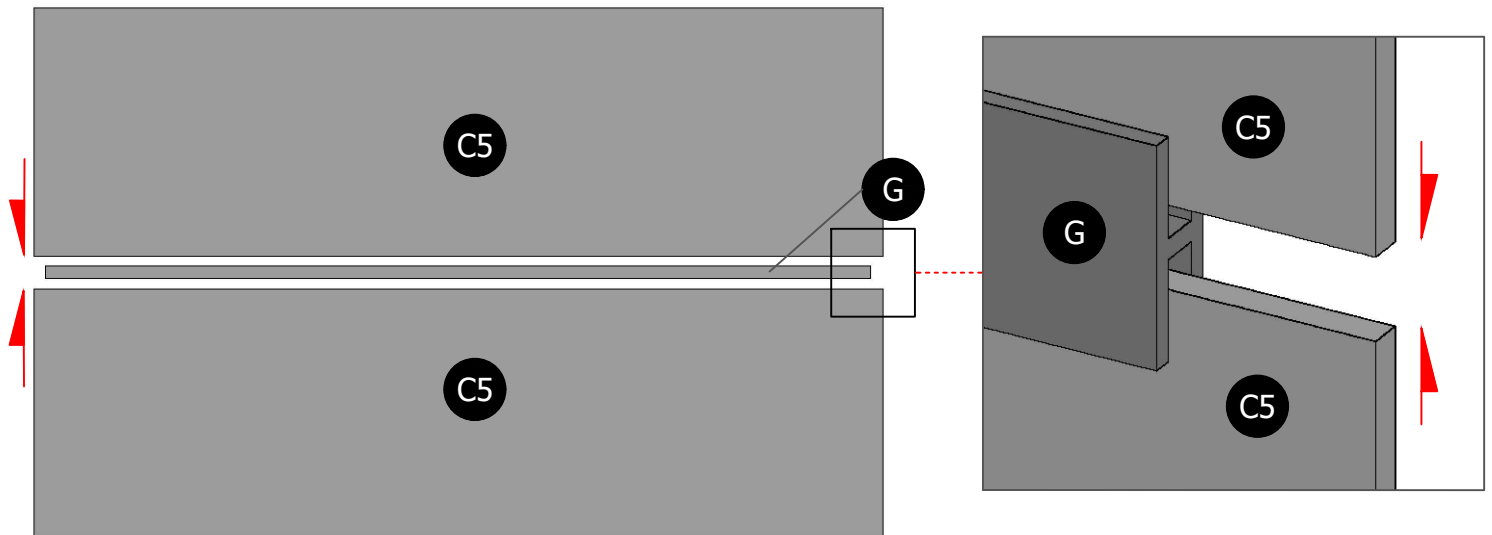
Insert the (I) into the (H), then screw in the (H) to secure (C10) & (C11) as shown.



ASSEMBLY INSTRUCTION

STEP 13

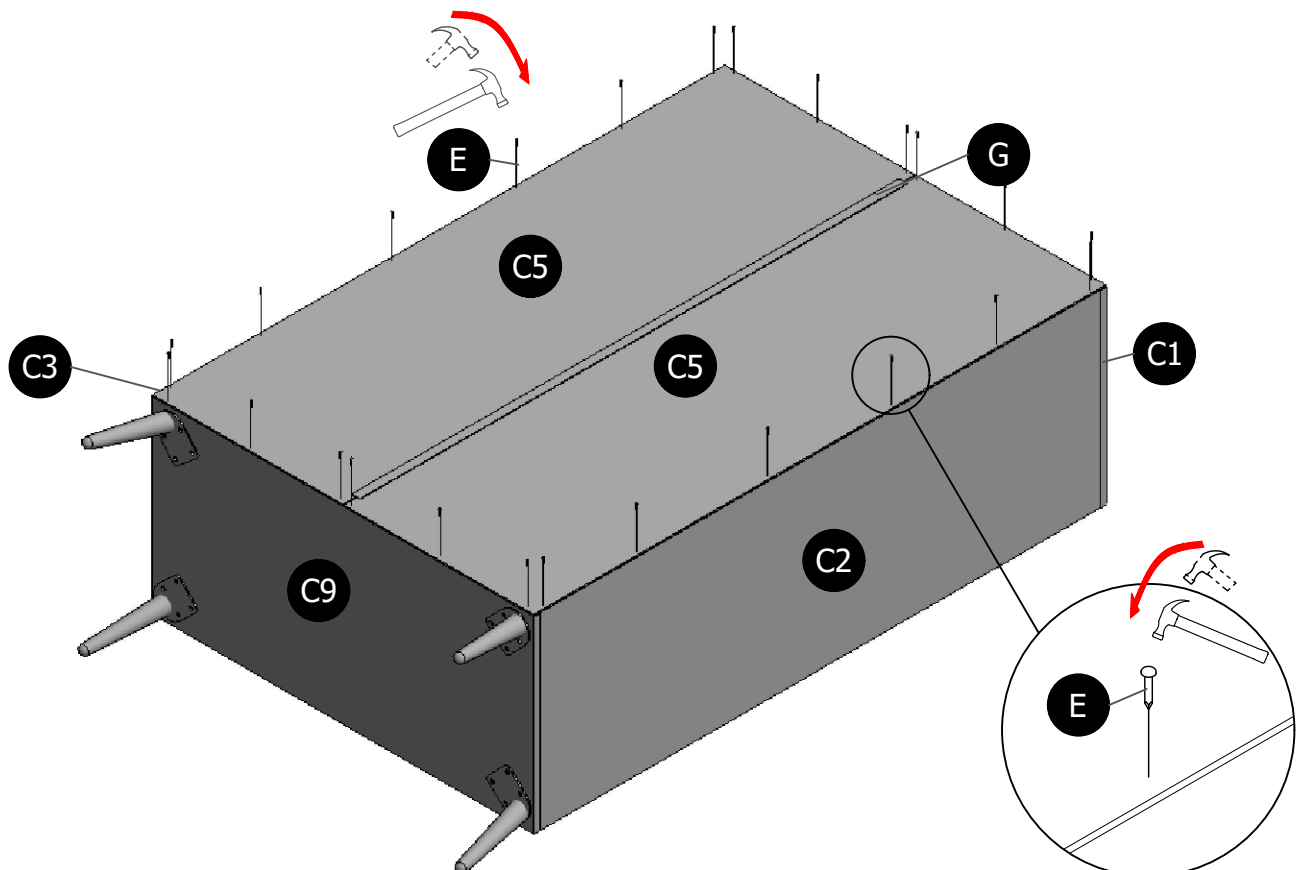
Insert the (C5) into the (G) as shown. Direction of the side with colored paper must be the same.



STEP 14

Secure the (C5) to the frame using 24pcs (E) as shown. Colored paper face to outside.

****This step require additional support from a second person.**

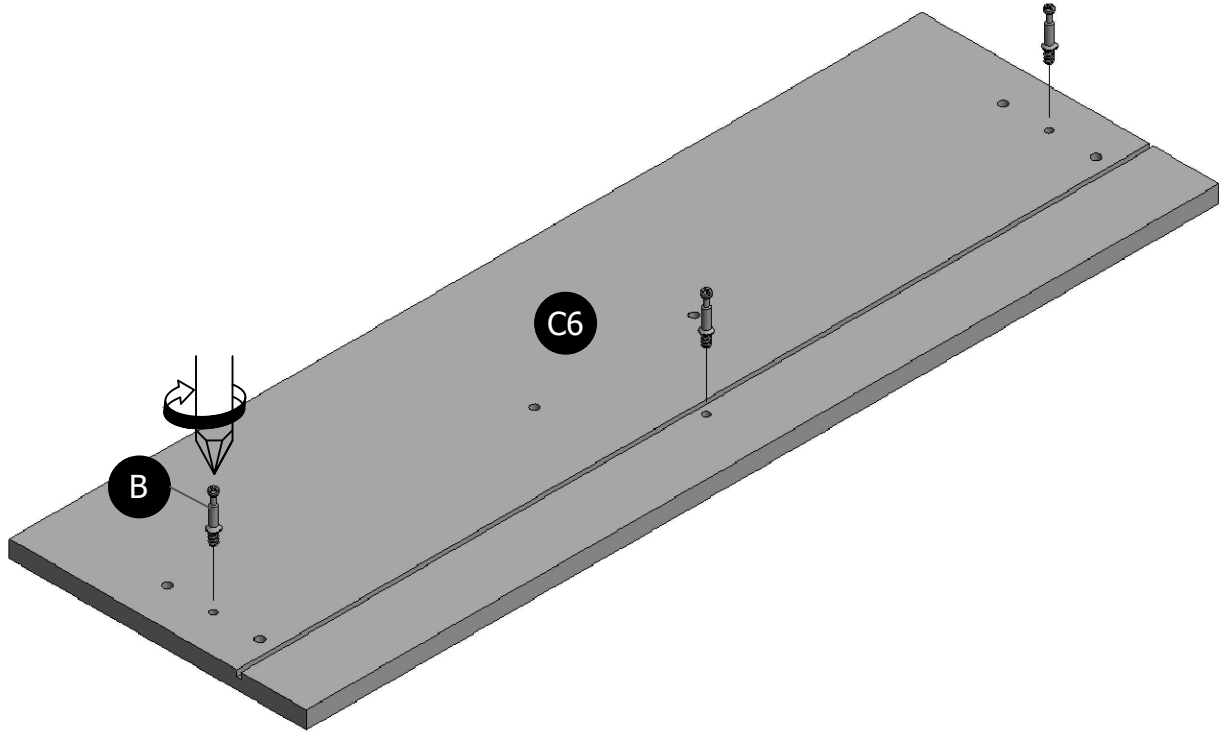


ASSEMBLY INSTRUCTION

STEP 15

Screw in 3pcs (B) to the (C6) as shown.

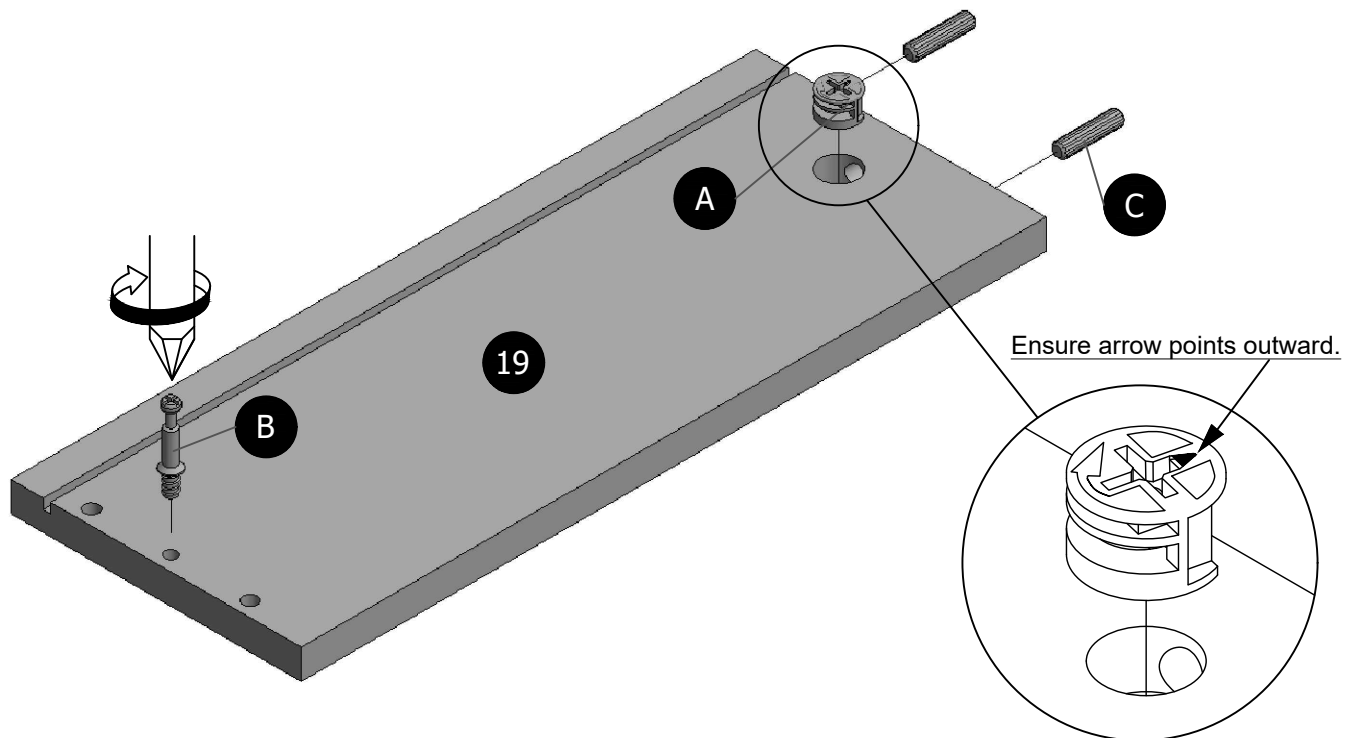
x 5



STEP 16

Insert 1pc (A) & 2pcs (C) into the (19), then screw in 1pc (B) as shown.

x 5

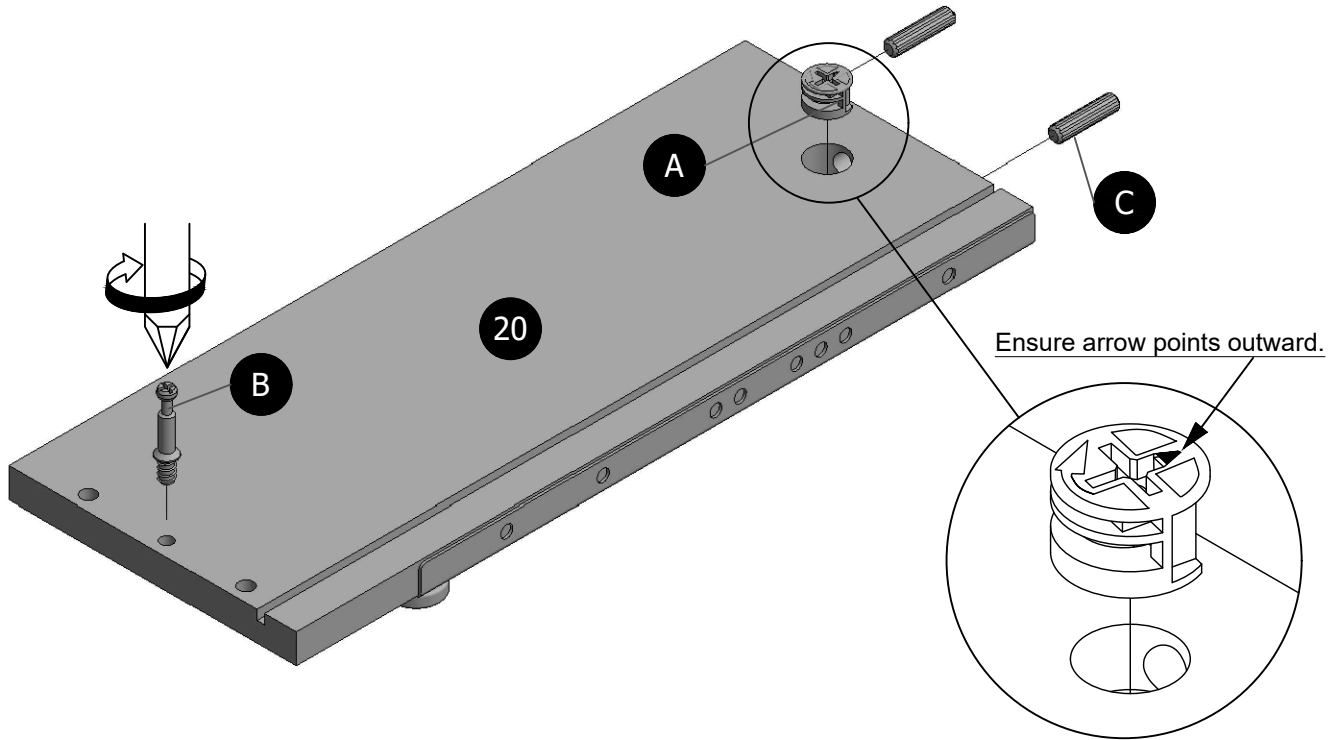


ASSEMBLY INSTRUCTION

STEP 17

Insert 1pc (A) & 2pcs (C) into the (20), then screw in 1pc (B) as shown.

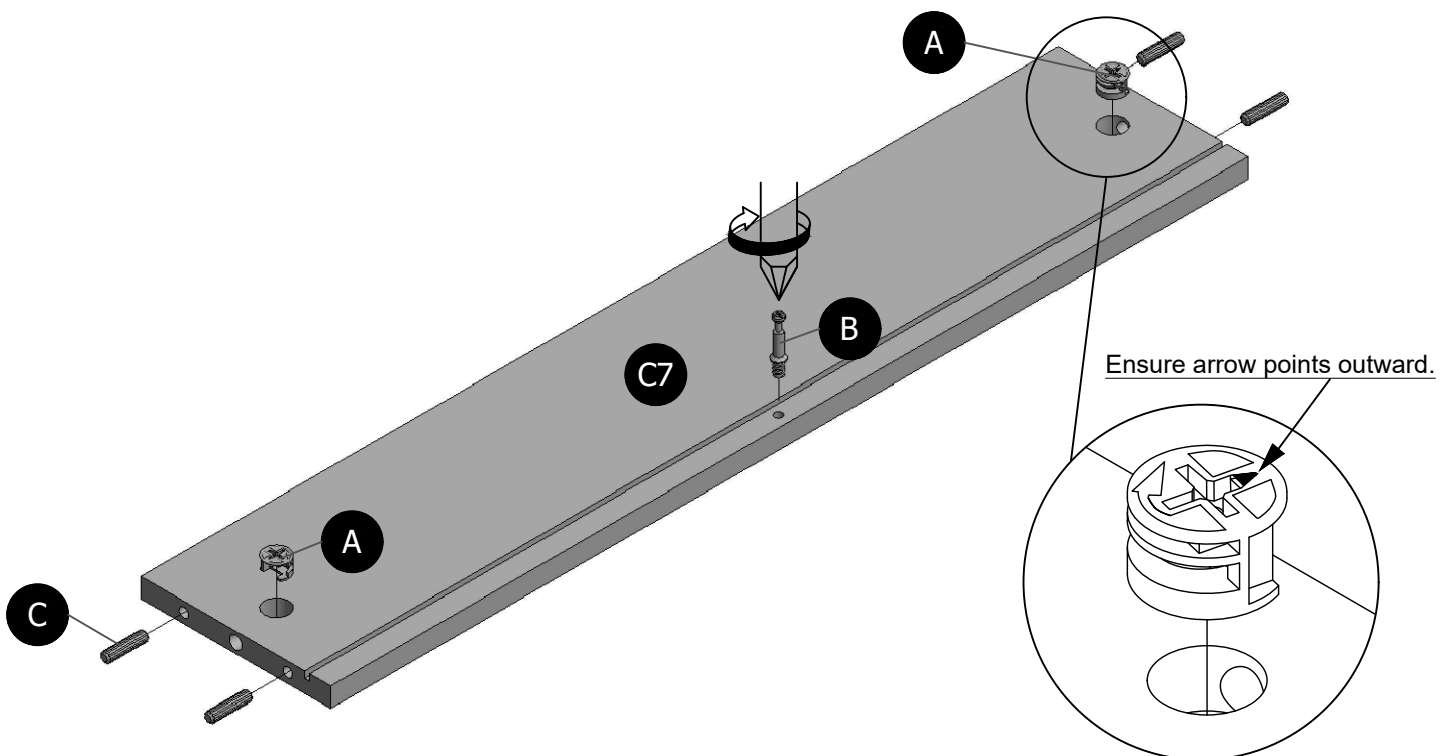
x 5



STEP 18

Insert 2pcs (A) & 4pcs (C) into the (C7), then screw in 1pc (B) as shown.

x 5

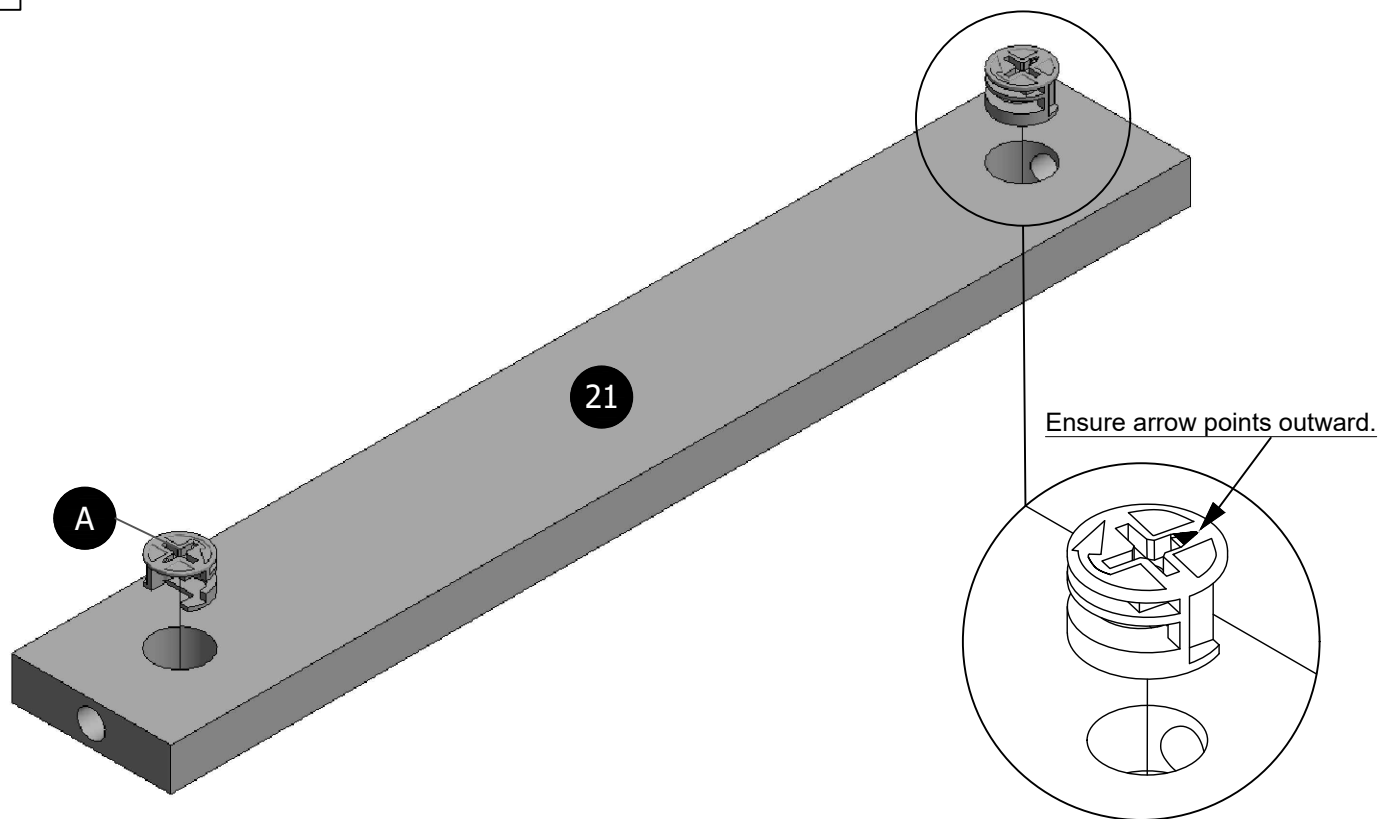


ASSEMBLY INSTRUCTION

STEP 19

Insert 2pcs (A) into the (21) as shown.

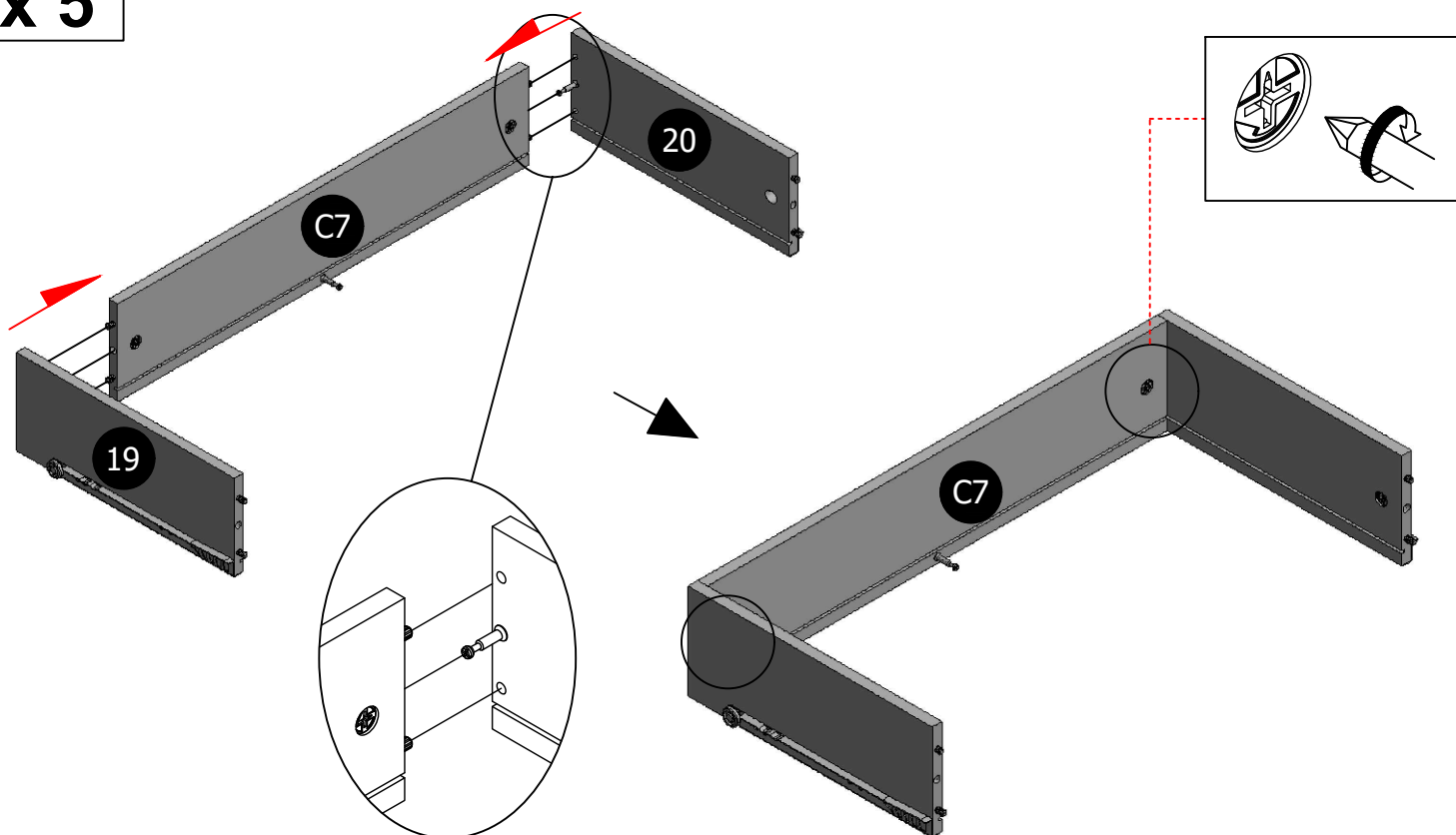
x 5



STEP 20

Combine (19) & (20) into (C7), then tighten 2pcs (A) as shown.

x 5

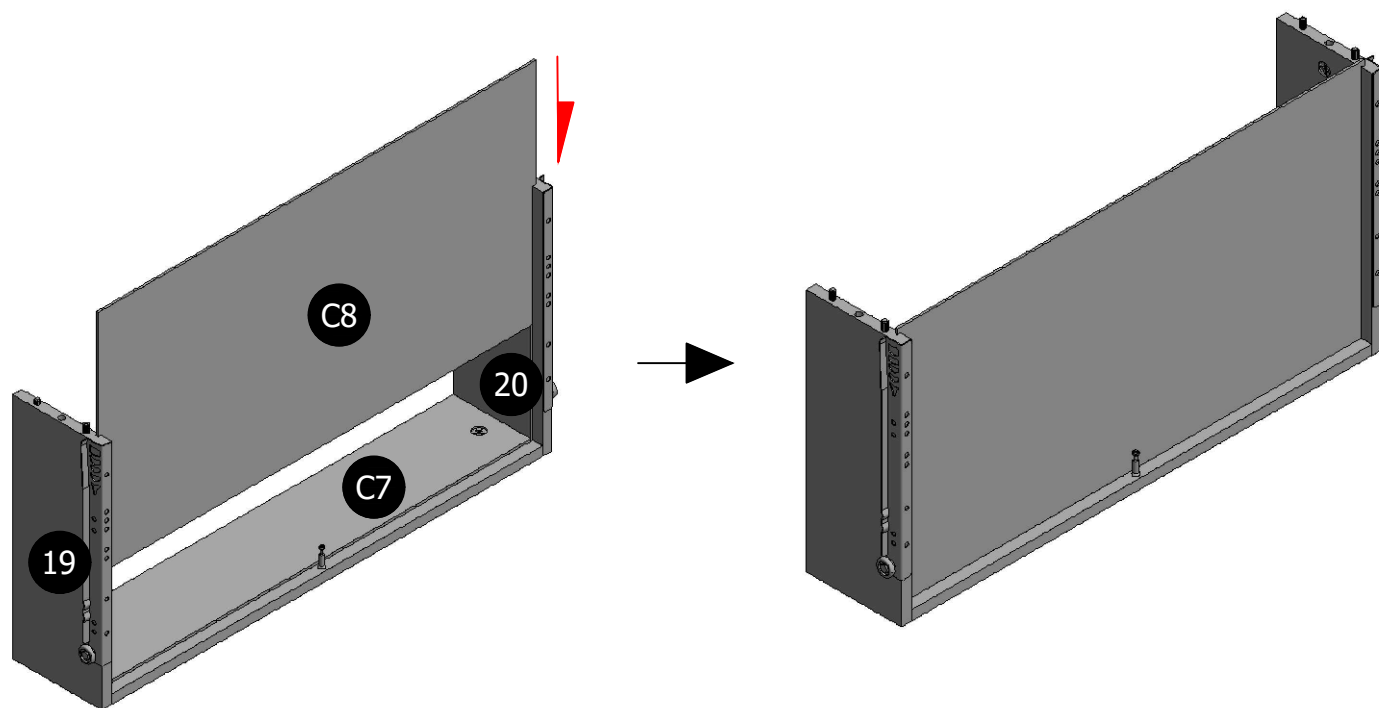


ASSEMBLY INSTRUCTION

STEP 21

Insert (C8) into the drawer groove as shown.

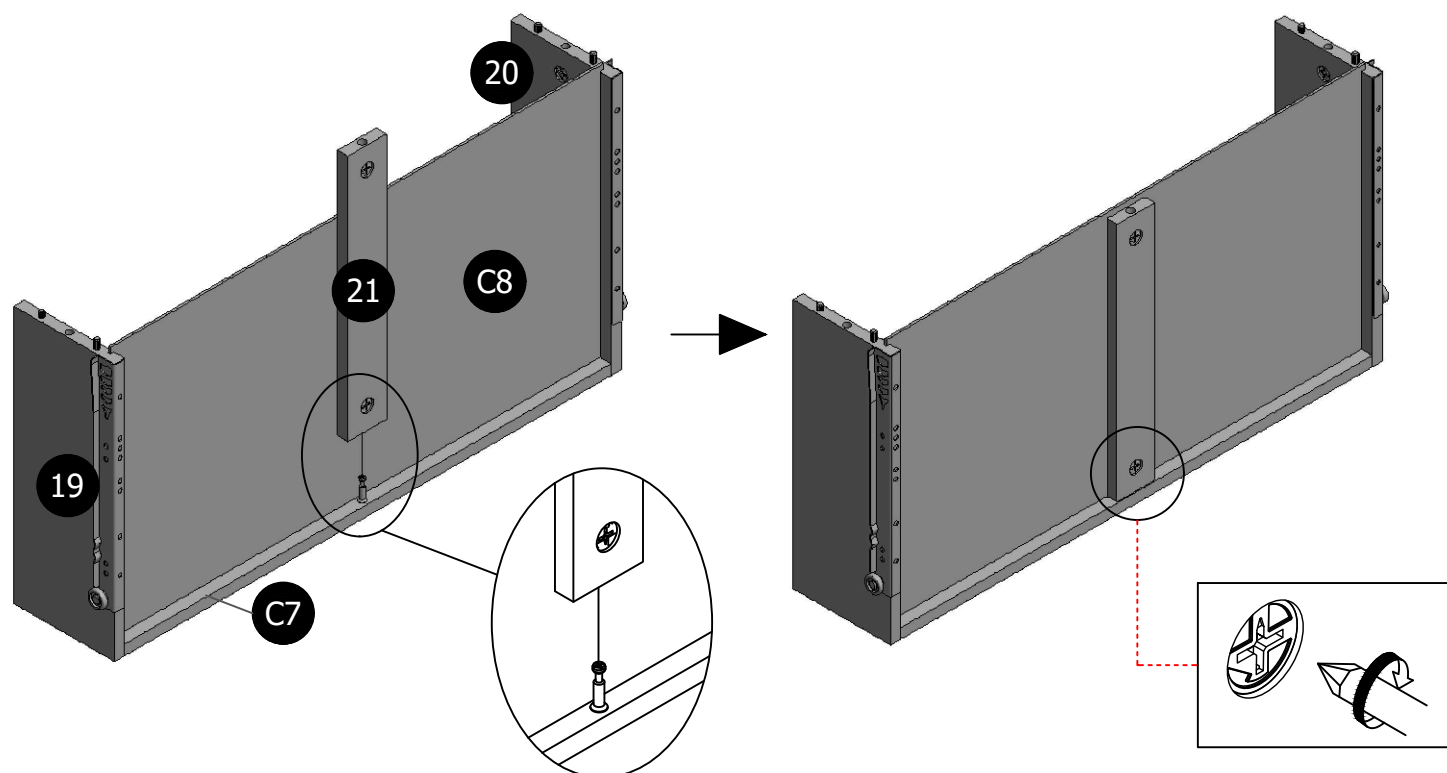
x 5



STEP 22

Combine the (21) onto the (C7), then tighten 1pc (A) as shown.

x 5

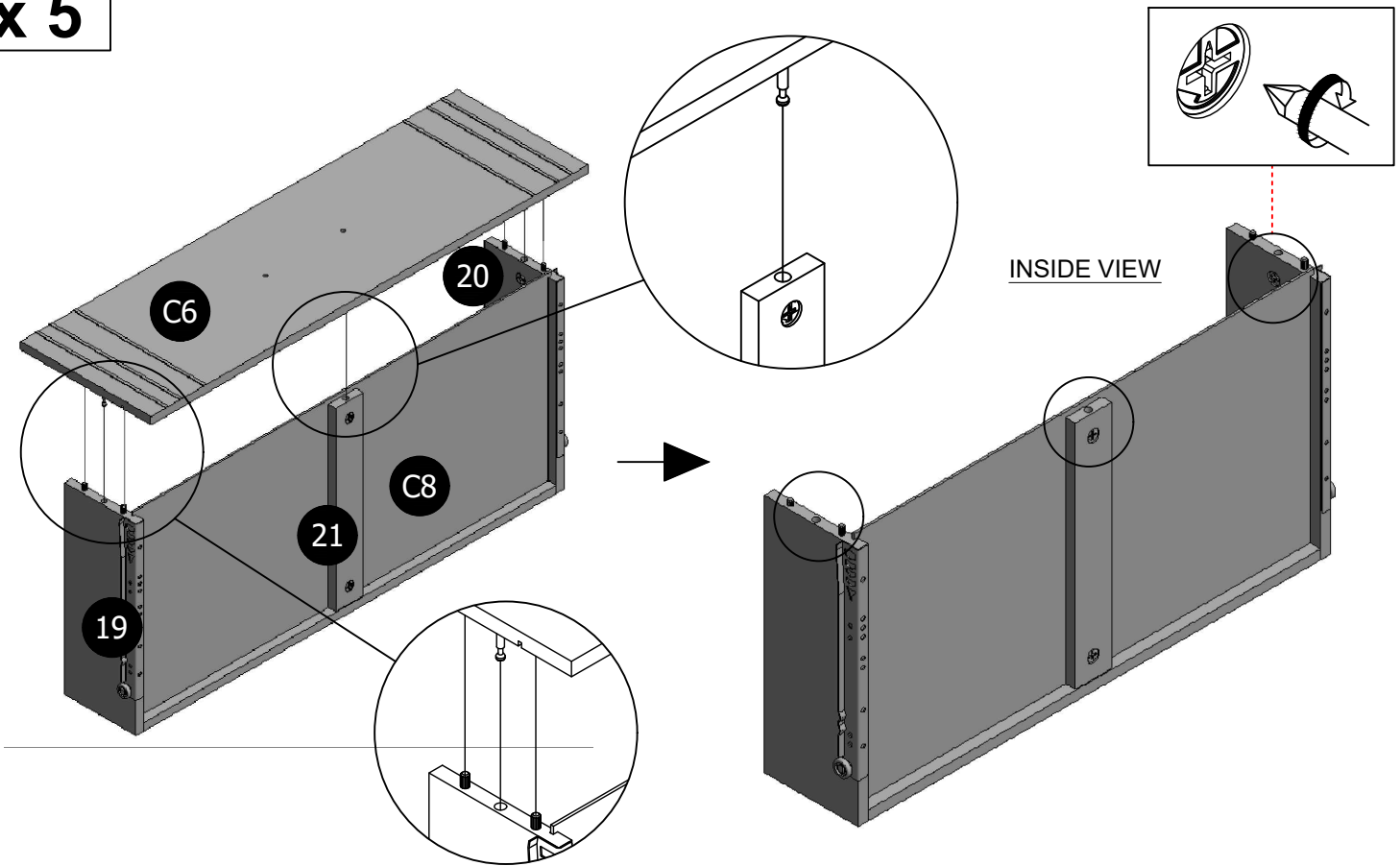


ASSEMBLY INSTRUCTION

STEP 23

Combine the (C6) to the drawer frame, then tighten 3pcs (A) as shown.

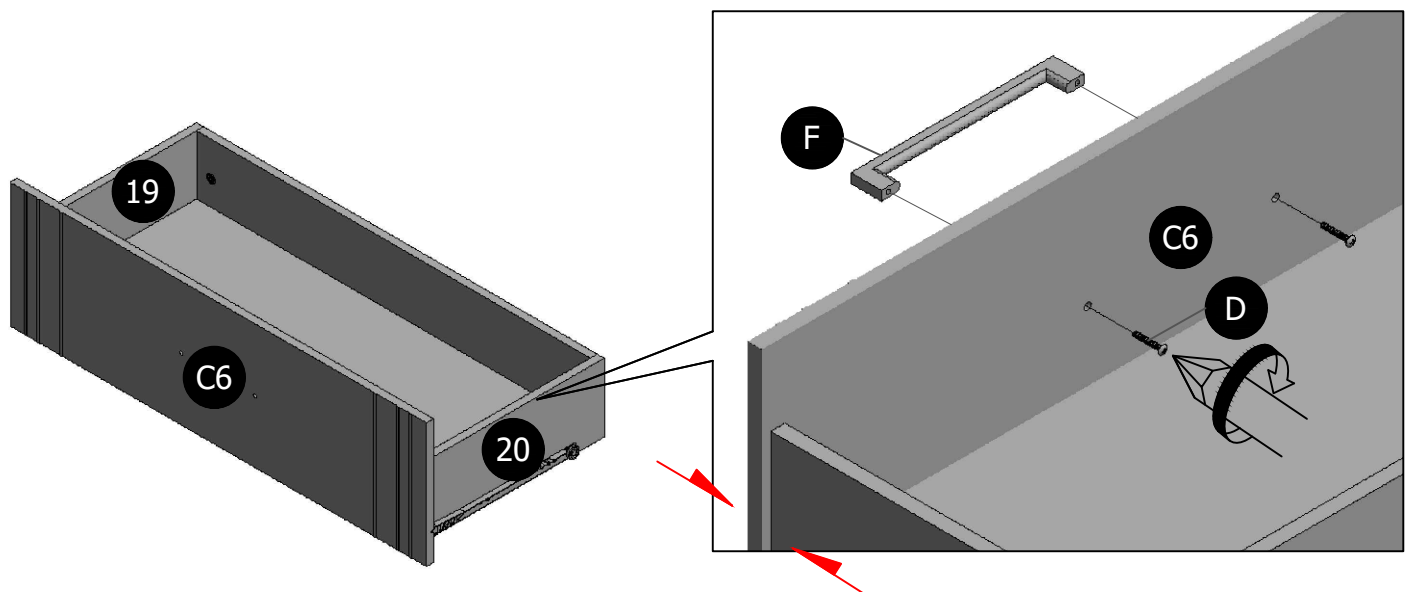
x 5



STEP 24

Secure (F) to the drawer head using 2pcs (D) as shown.

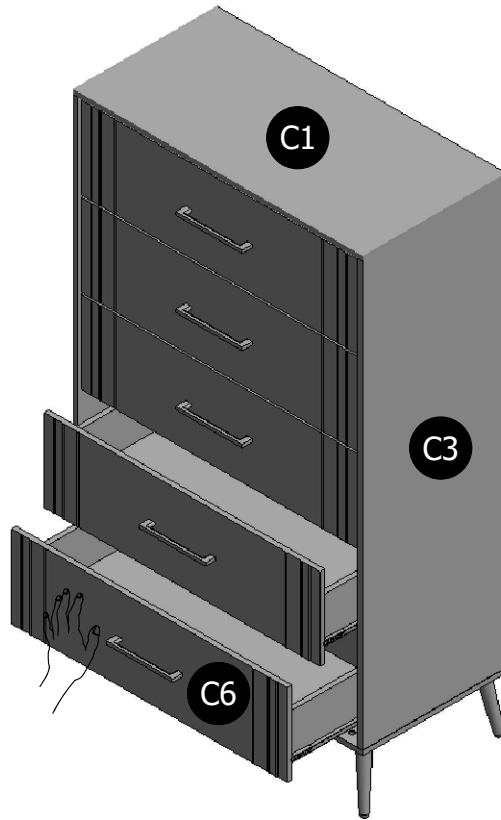
x 5



ASSEMBLY INSTRUCTION

STEP 25

Align the position then push the 5pcs drawer to inside exactly by your hand.



STEP 26



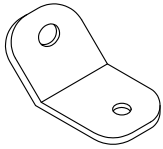
ASSEMBLY COMPLETED

WALL STUD

SAFETY BRACKET INSTRUCTIONS

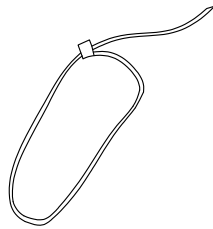
Part Enclosed

A) Bracket



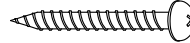
2x

B) Safety Strap



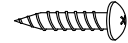
1x

C) 50mm Pan Head Screw



1x

D) 17mm Pan Head Screw



1x

IMPORTANT Tipping can injure young children. Use of this safety hardware is highly recommended. This safety hardware, when properly installed, can provide furniture protection against unexpected accidental tipping of furniture due to improper use.

Step 1

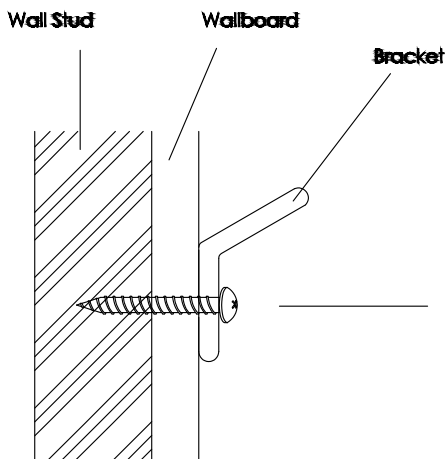
Attach a bracket to the wall board with the 2" screw provided

It is recommended that you locate a wall stud behind the furniture unit. If the wall stud is not used, a suitable "Hollow-Wall Anchor Bolt" (not provided) should be used in lieu of the wall stud.

Position the wall bracket on the stud about 1" below the top of furniture piece.

Mark the position for the bracket placement on the wall and drill a pilot hole into the stud.

Attach the bracket to the back of the furniture with the 2" screws provided.



Step 2

To attach a bracket to the Furniture Frame below to top with the short screws provided

Move the furniture piece temporarily to its final position to the wall.

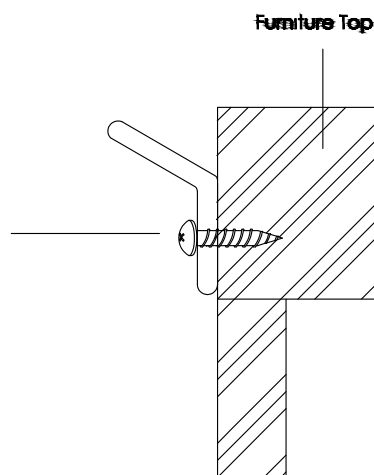
Mark the location of the bracket on the back of the furniture in relation to the previously mounted wall bracket.

Move the furniture piece away from the wall mounted bracket and place the other bracket on the mark position on the back of the furniture piece.

Drill a pilot hole as shown in the figure or into the back furniture frame.

Caution: Make sure you do not drill completely through the back of the furniture.

Attach the bracket to the back of the furniture with the 5/8" screws provided.



Step 3

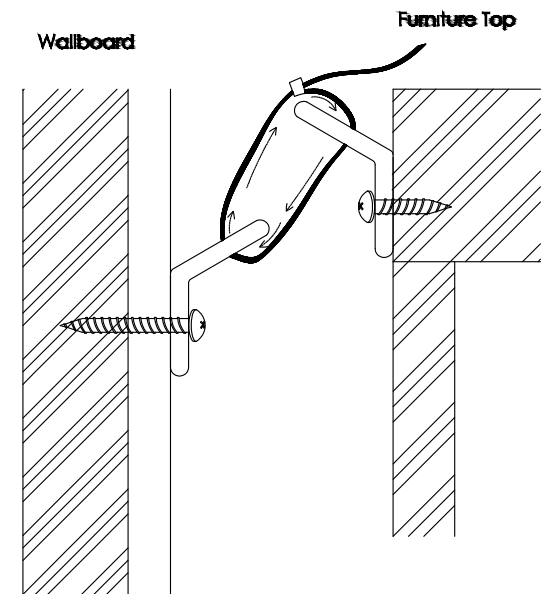
To Attach the safety strap

Move the furniture back to its final position.

Thread the safety strap through both of the mounted brackets as shown in the illustration.

Tighten the strap unit snug.

Do not over tighten.



IMPORTANT Make sure the brackets are firmly attached to the wall stud and furniture frame and the safety strap is snug.

Warning: This product is not to be a substitute for proper parental supervision which is the only proper deterrent to prevent improper use of this unit. The manufacturer assumes no liability for improper installation or excessive loads placed on the safety straps, bracket or mounting screws. This hardware will not insure against tipping.

Note: For taller or heavier pieces of furniture, two safety brackets may be installed.

This sticker was stucked at one of the DRAWER LEFT PANEL(20).



Place the drawer which stucked a warning label in the top as shown.

