

ASSEMBLY INSTRUCTIONS



ACCENT CABINET

ASSEMBLY INSTRUCTIONS

ASSEMBLY TIPS:

1. Remove hardware from box and sort by size.
2. Please check to see that all hardware and parts are present prior to start of assembly.
3. Please follow attached instructions in the same sequence as numbered to assure fast & easy assembly.



WARNING!

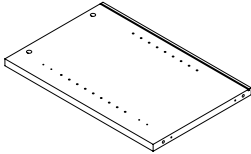
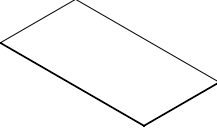
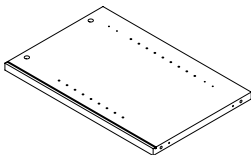
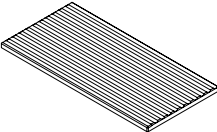
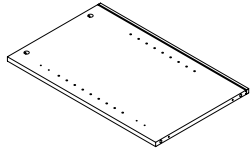
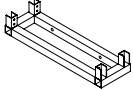
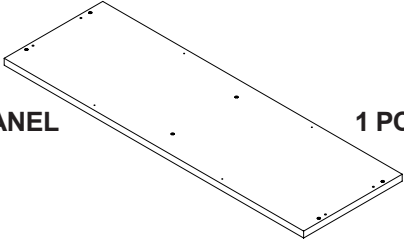
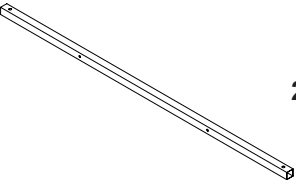
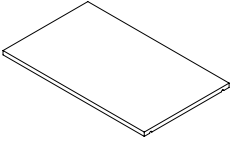
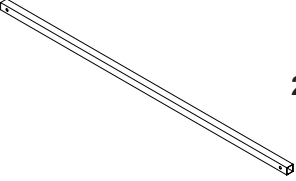
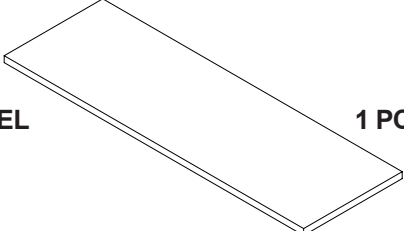
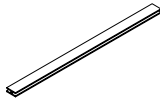
1. Don't attempt to repair or modify parts that are broken or defective. Please contact the store immediately.
2. This product is for home use only and not intended for commercial establishments.



ASSEMBLY TIME

60 MINUTES

PARTS IDENTIFICATION

A	LEFT SIDE PANEL		1 PC	G	BACK PANEL		4 PCS
B	RIGHT SIDE PANEL		1 PC	H	DOOR		4 PCS
C	MIDDLE DIVIDER PANEL		1 PC	I	LEG FRAME		2 PCS
D	BOTTOM PANEL		1 PC	J	UPPER CROSSBAR		2 PCS
E	ADJUSTABLE PANEL		2 PCS	K	LOWER CROSSBAR		2 PCS
F	TOP PANEL		1 PC	L	BAR		2 PCS

NOTE:

Phillips head screw driver is required in the assembly process; however, manufacturer does not provide this item.

HARDWARE IDENTIFICATION

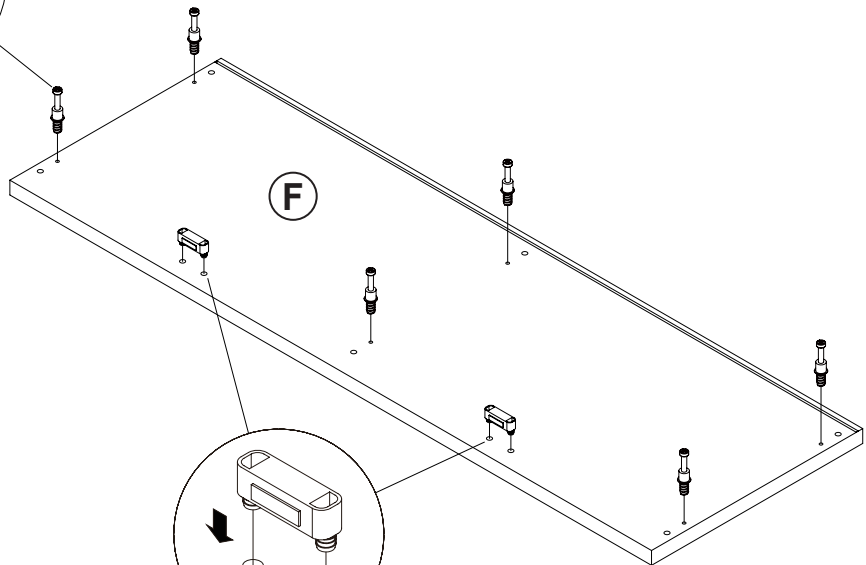
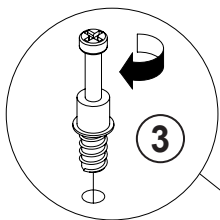
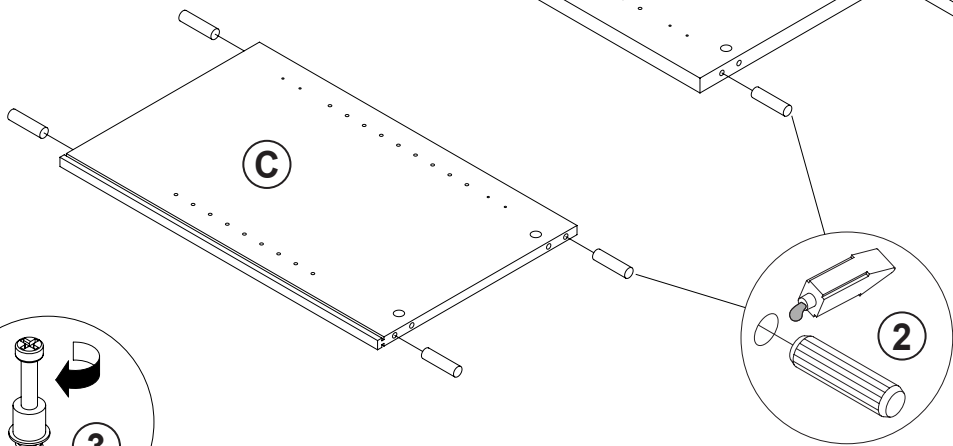
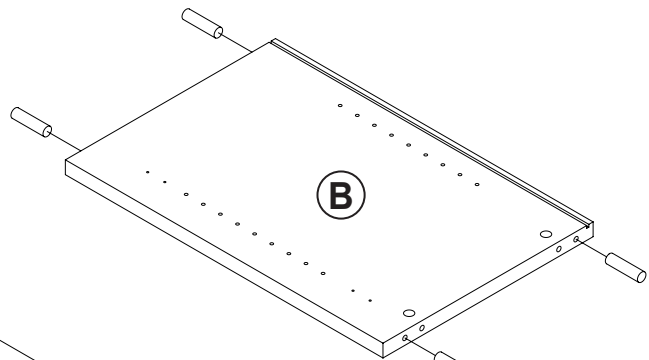
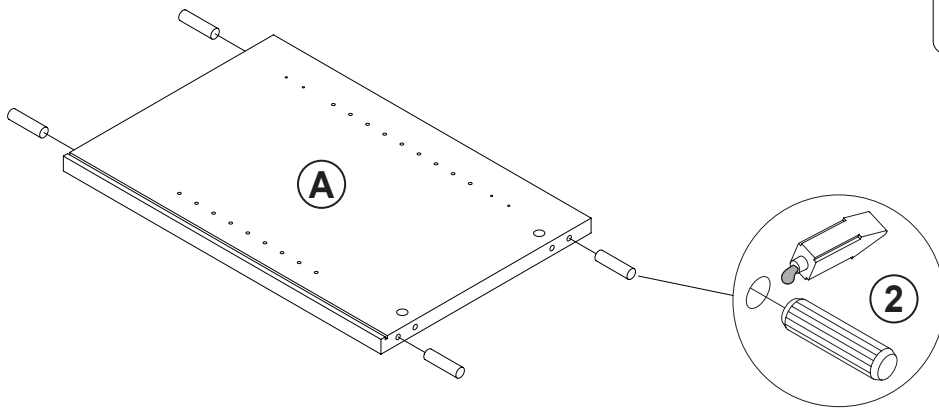
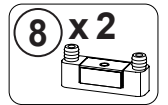
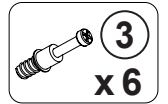
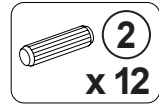
Z							
NO	DESCRIPTION	FIGURE	Q'TY	NO	DESCRIPTION	FIGURE	Q'TY
1	GLUE 15g		1 PC	11	HINGE Ø35mm SR		4 PCS
2	WOODEN DOWEL Ø8x30mm		12 PCS	12	HINGE Ø35mm SR		4 PCS
3	CAM BOLT Ø7x35.5mm SR		6 PCS	13	HINGE SCREW Ø4x15mm SR		32 PCS
4	CAM LOCK Ø15x12mm SR		6 PCS	14	BOLT M6x15mm BLK		8 PCS
5	SCREW Ø4.5x42mm SR		6 PCS	15	BOLT Ø7x40mm BLK		4 PCS
6	SCREW Ø4.3x35mm SR		4 PCS	16	FLOOR PROTECTOR 25x25mm		4 PCS
7	PIN FOR ADJUSTABLE SHELF Ø4.9x15mm SR		8 PCS	17	ALLEN WRENCH 4mm SR		1 PC
8	DOOR CATCH		4 PCS	18	FIXER		6 PCS
9	HANDLE L=120mm BLK		4 PCS	19	FIXER SCREW Ø3x19mm SR		6 PCS
10	HANDLE SCREW Ø3x15mm BLK		8 PCS	20	STICKER Ø20mm		1 PC

Z9,Z11,Z12 not included in blister packaging.

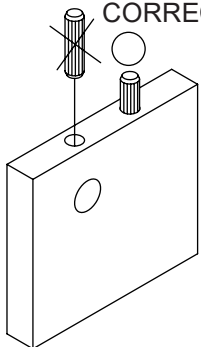
NOTE:

Phillips head screw driver is required in the assembly process; however, manufacturer does not provide this item.

STEP 1

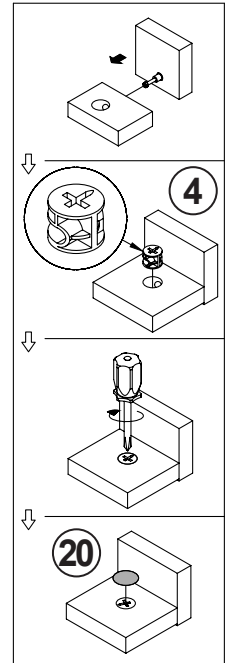
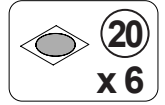
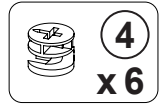
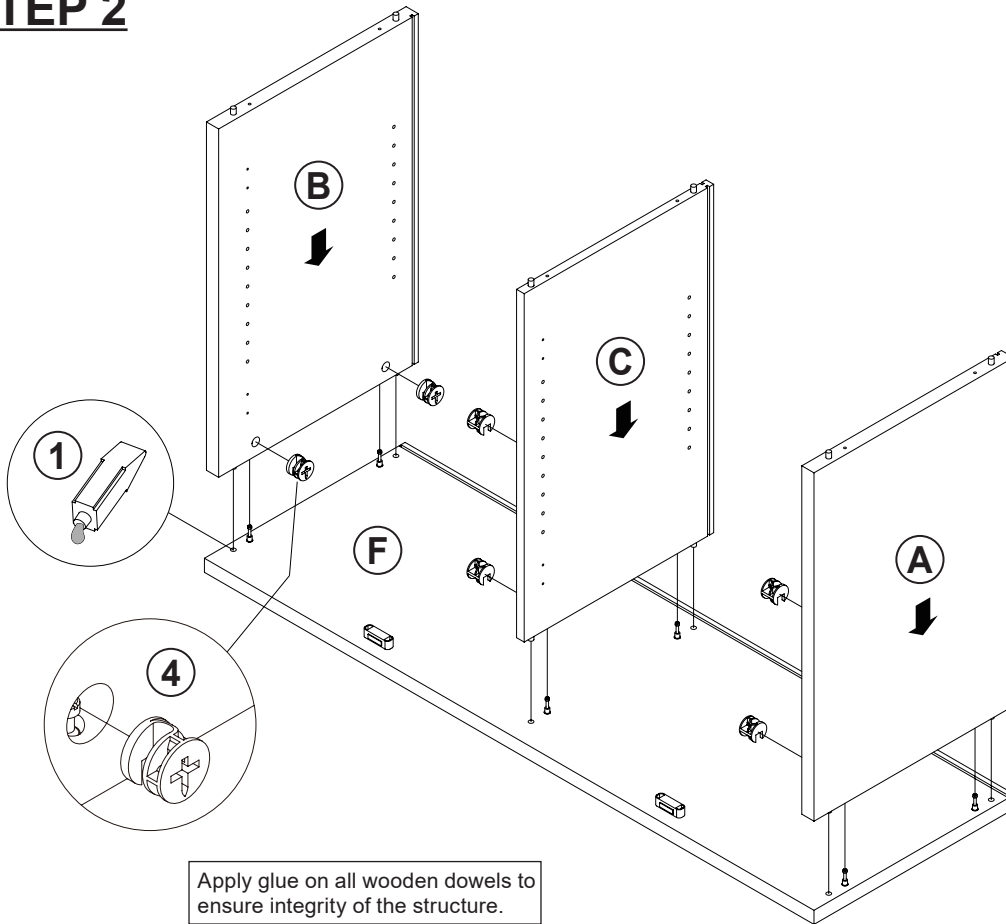


INCORRECT
CORRECT

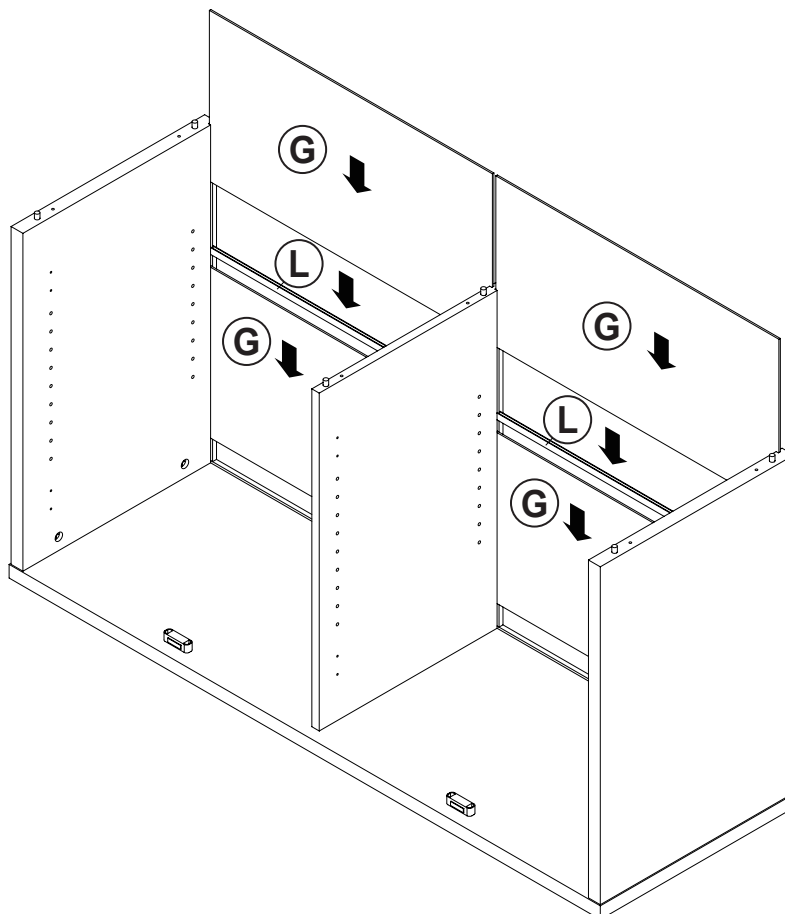


Apply glue on all wooden dowels to ensure integrity of the structure.

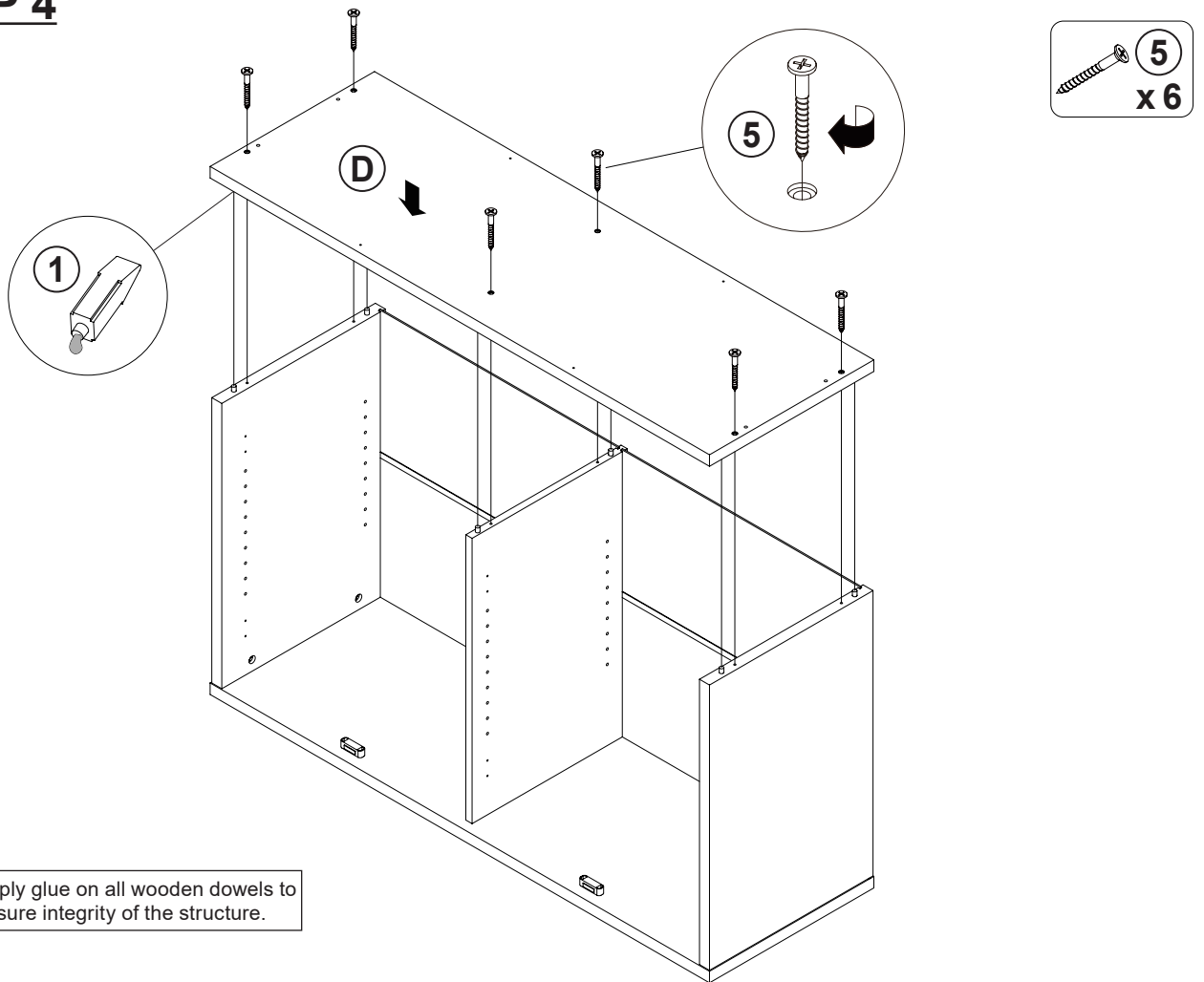
STEP 2



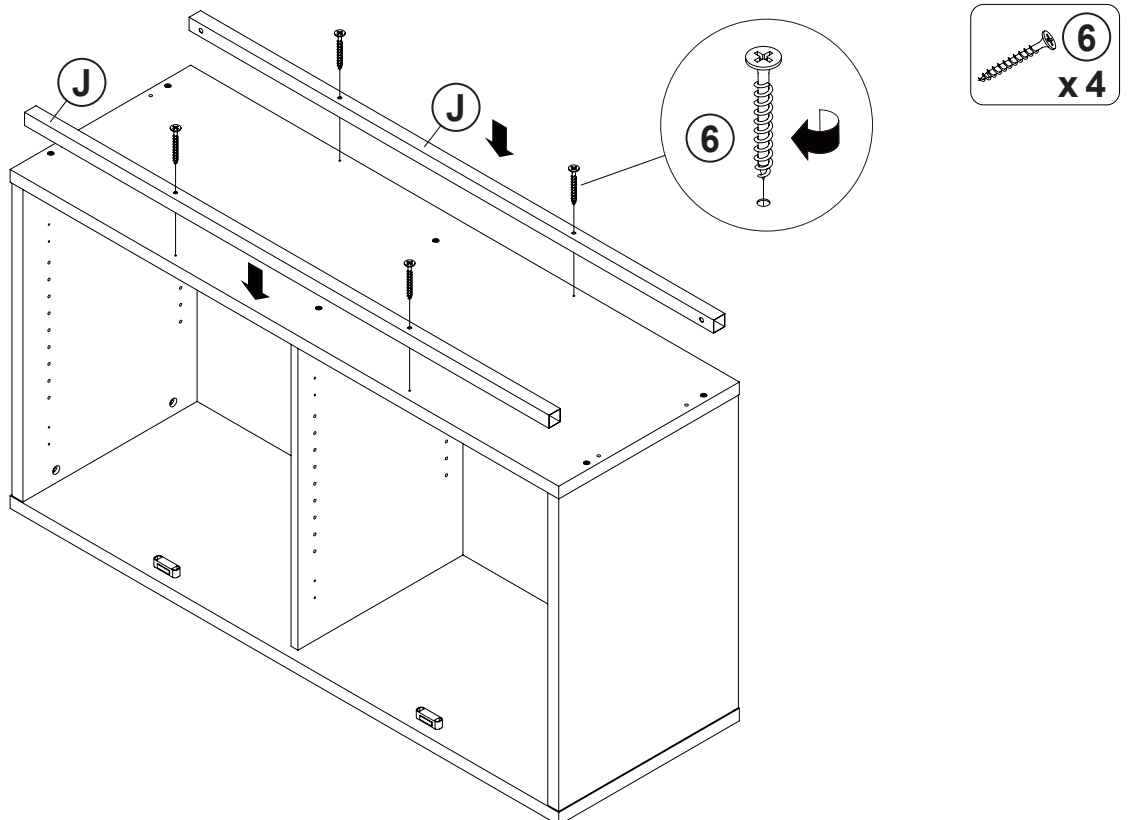
STEP 3



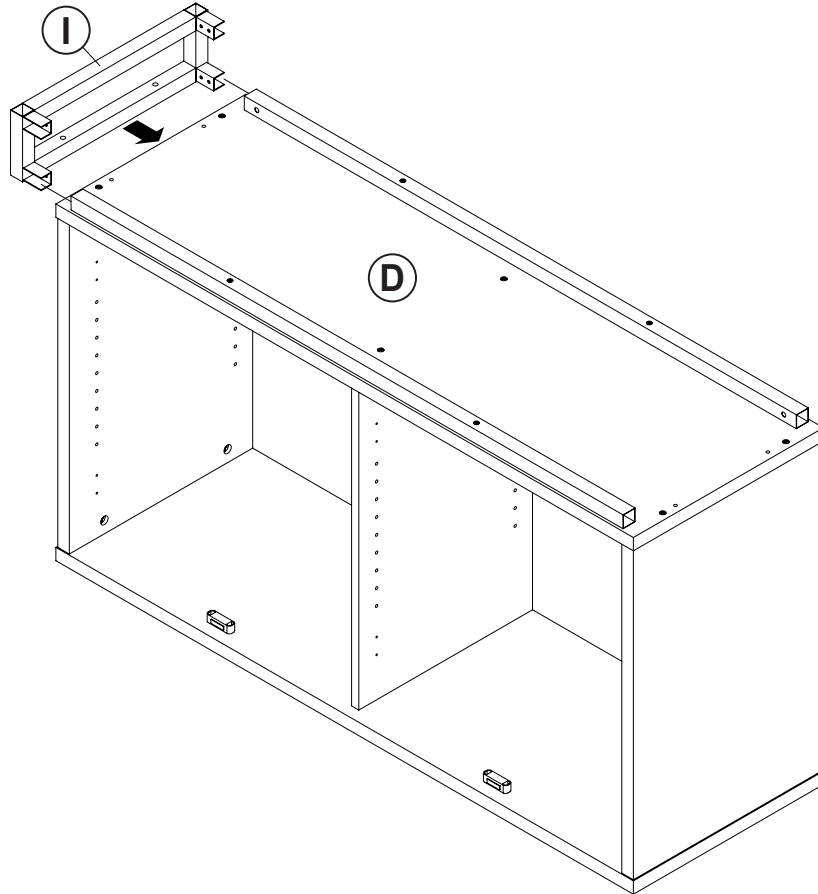
STEP 4



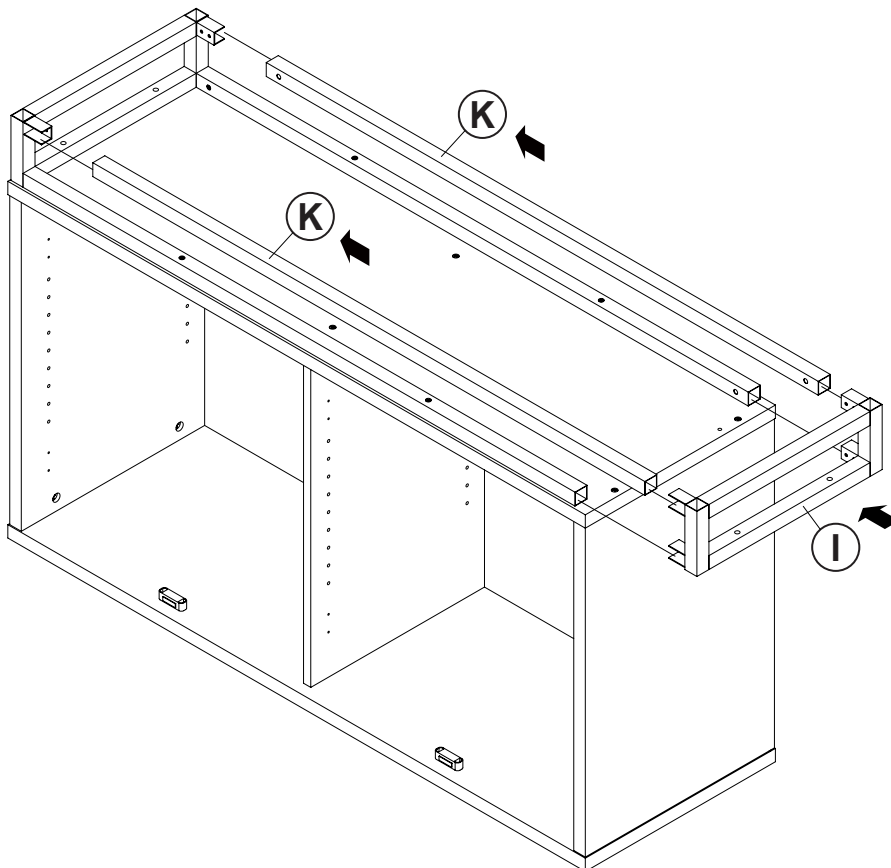
STEP 5



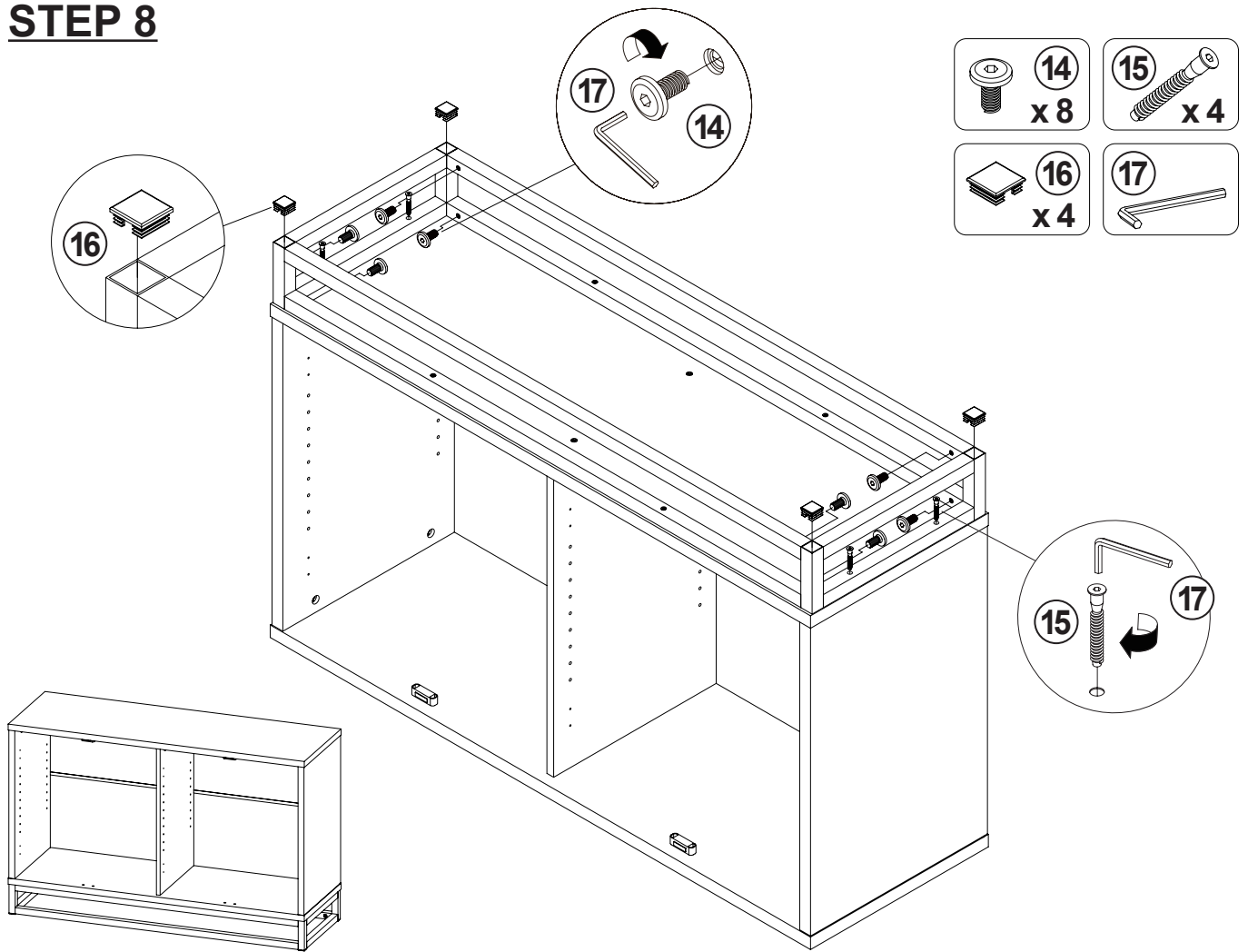
STEP 6



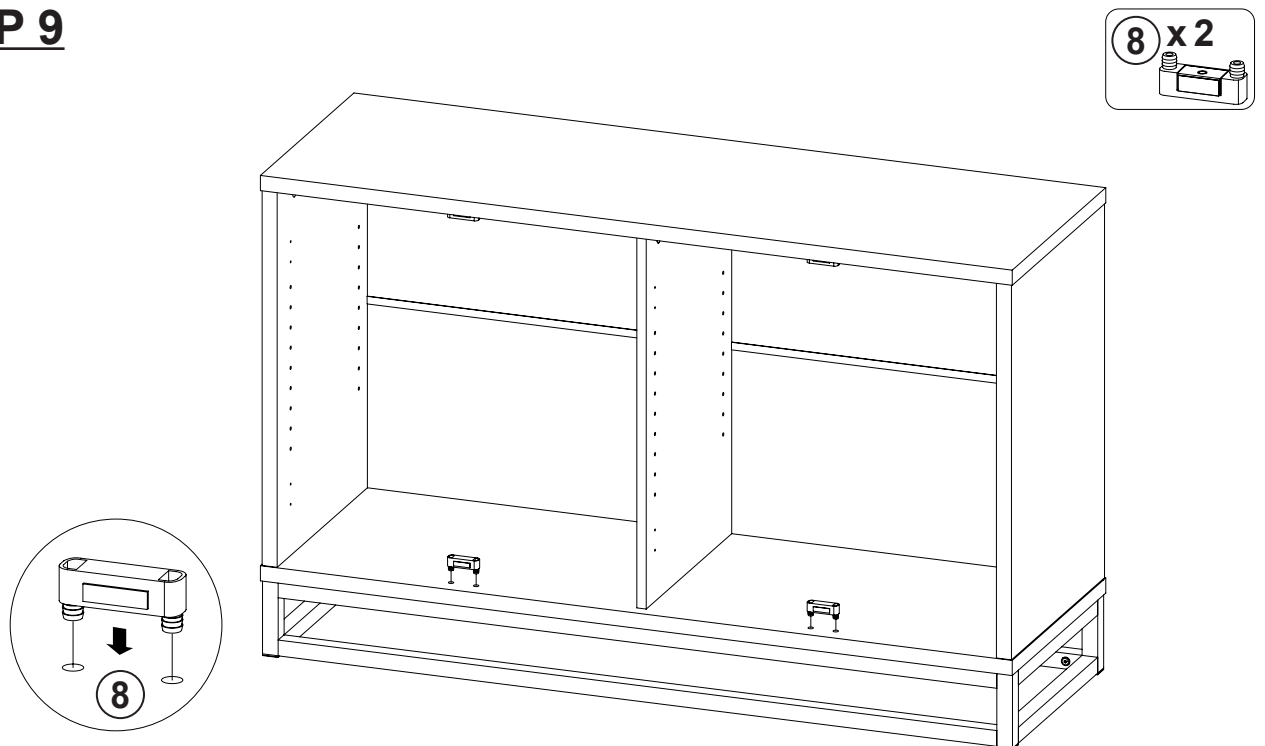
STEP 7



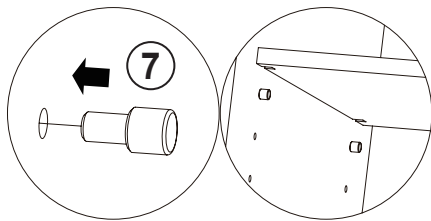
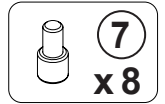
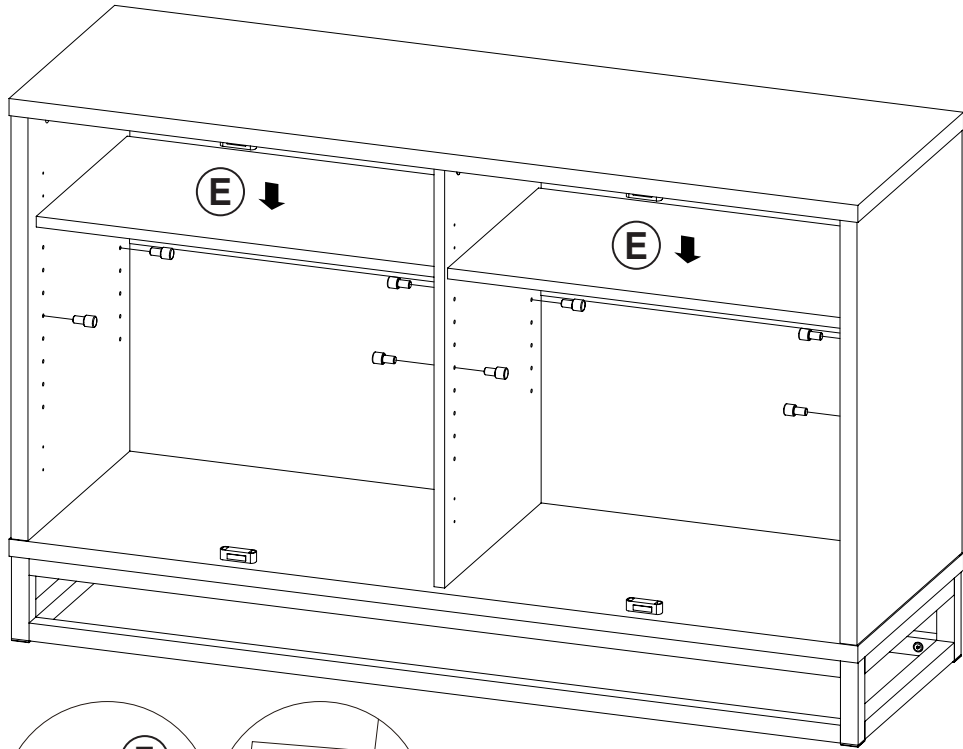
STEP 8



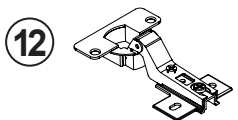
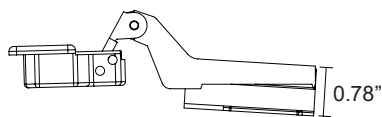
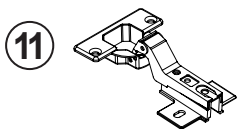
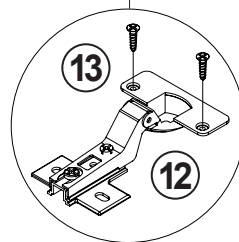
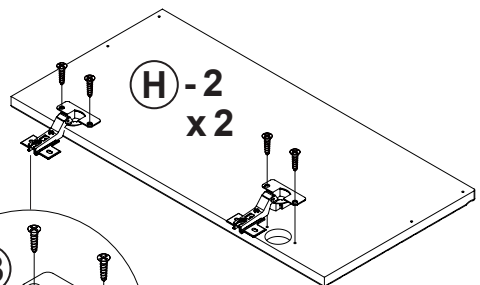
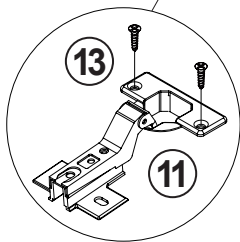
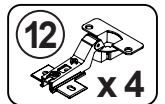
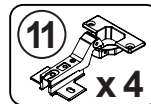
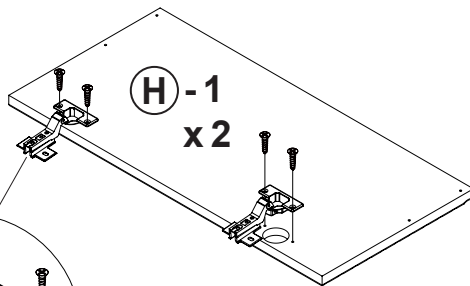
STEP 9



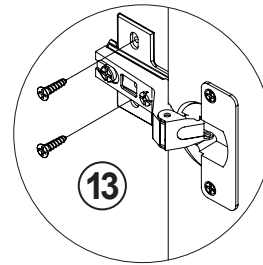
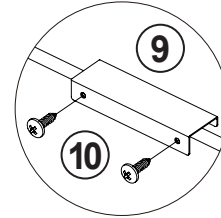
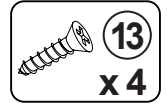
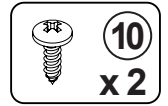
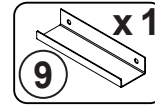
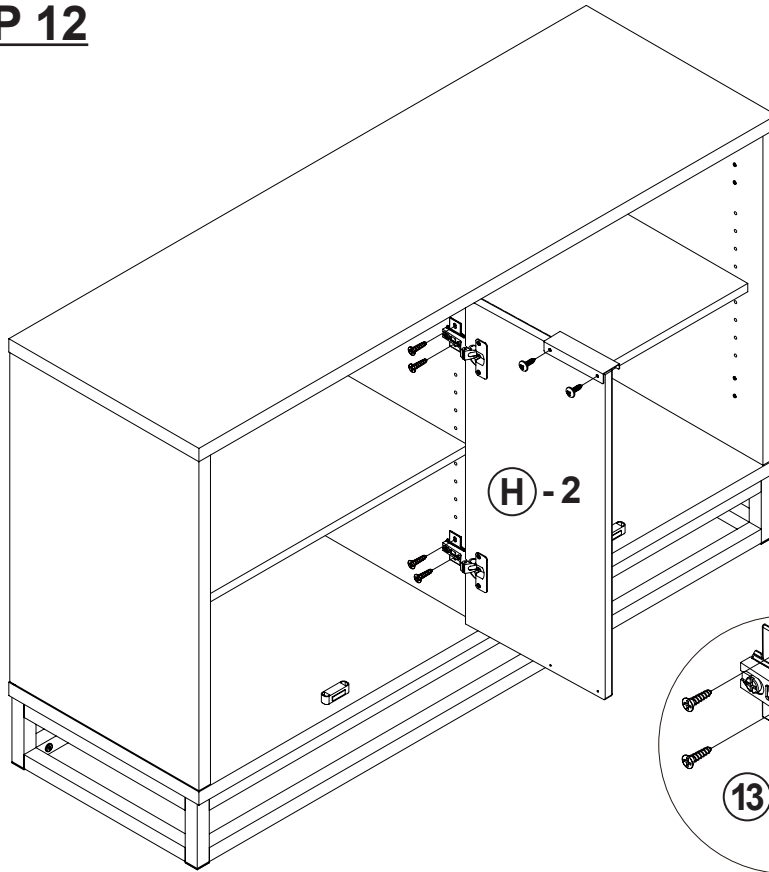
STEP 10



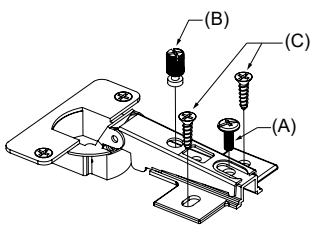
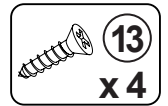
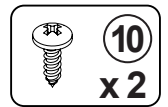
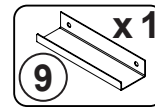
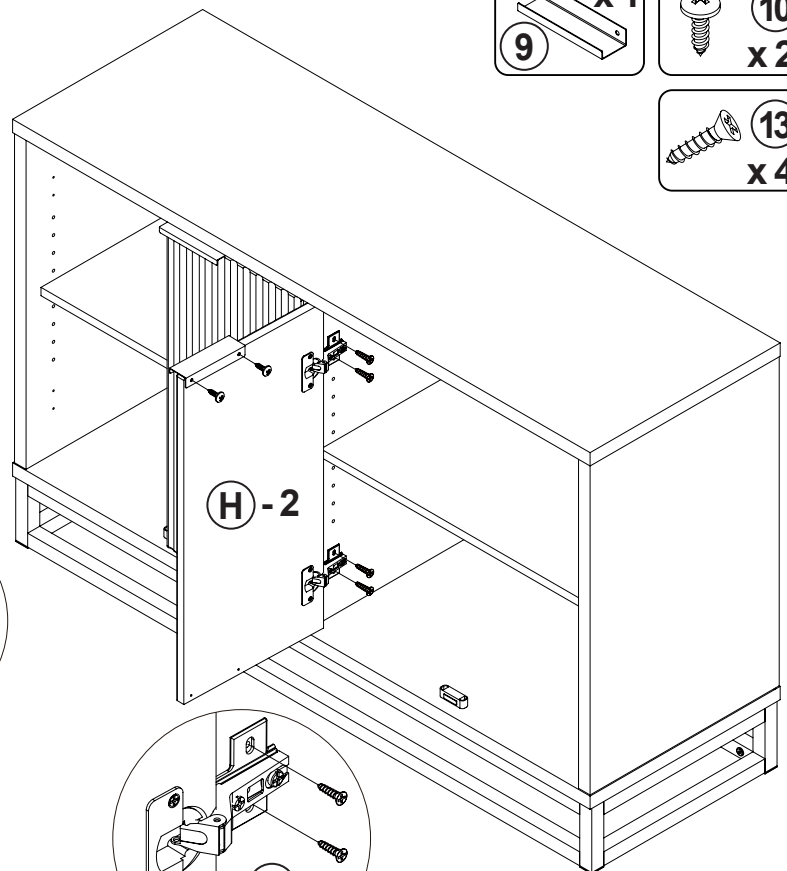
STEP 11



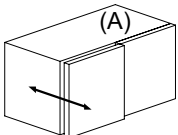
STEP 12



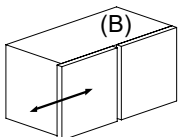
STEP 13



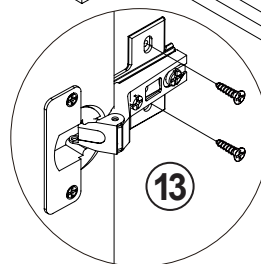
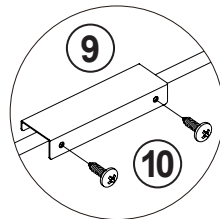
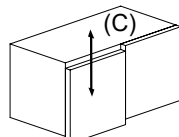
HORIZONTAL BY
SCREW A ADJUSTMENT



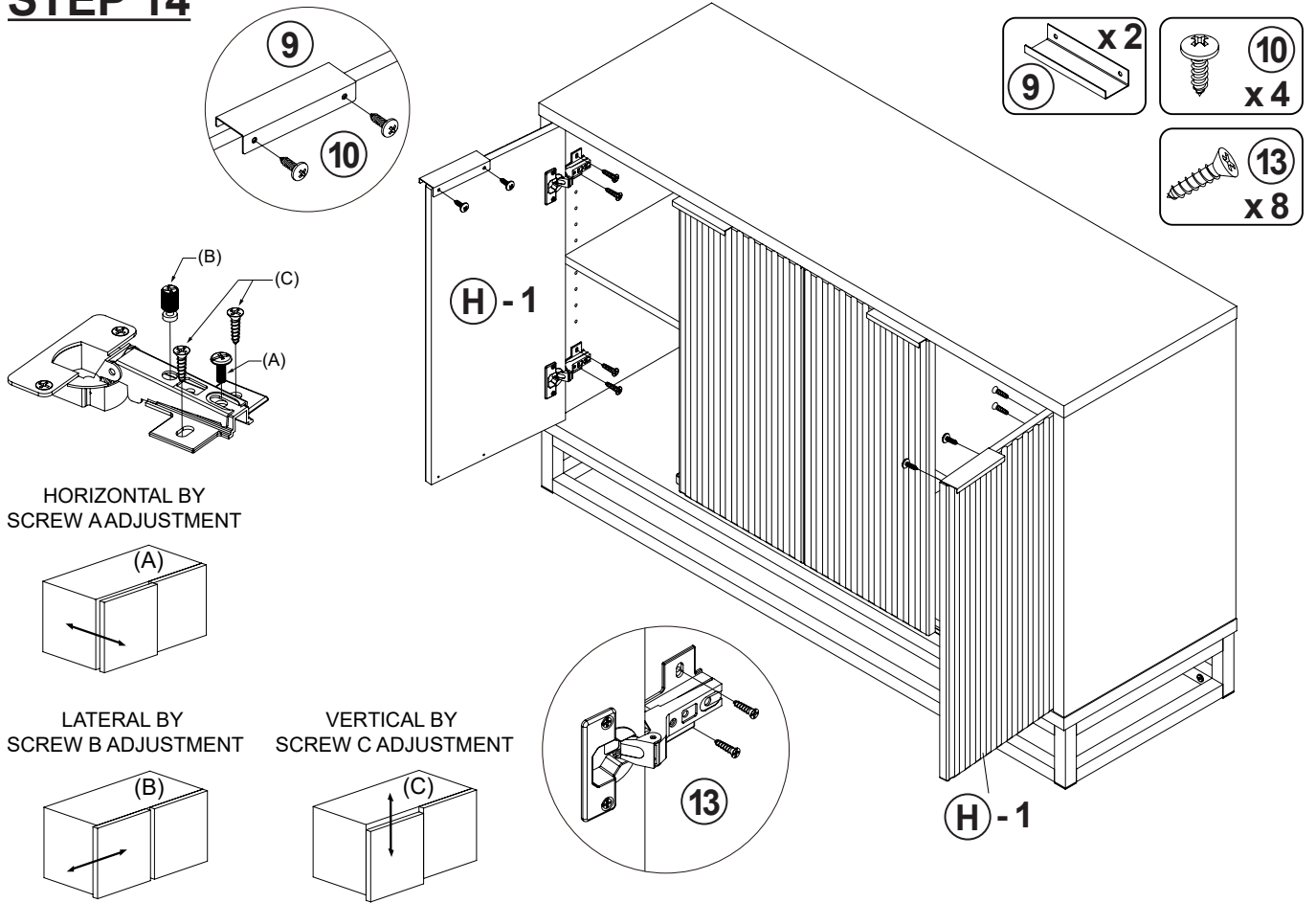
LATERAL BY
SCREW B ADJUSTMENT



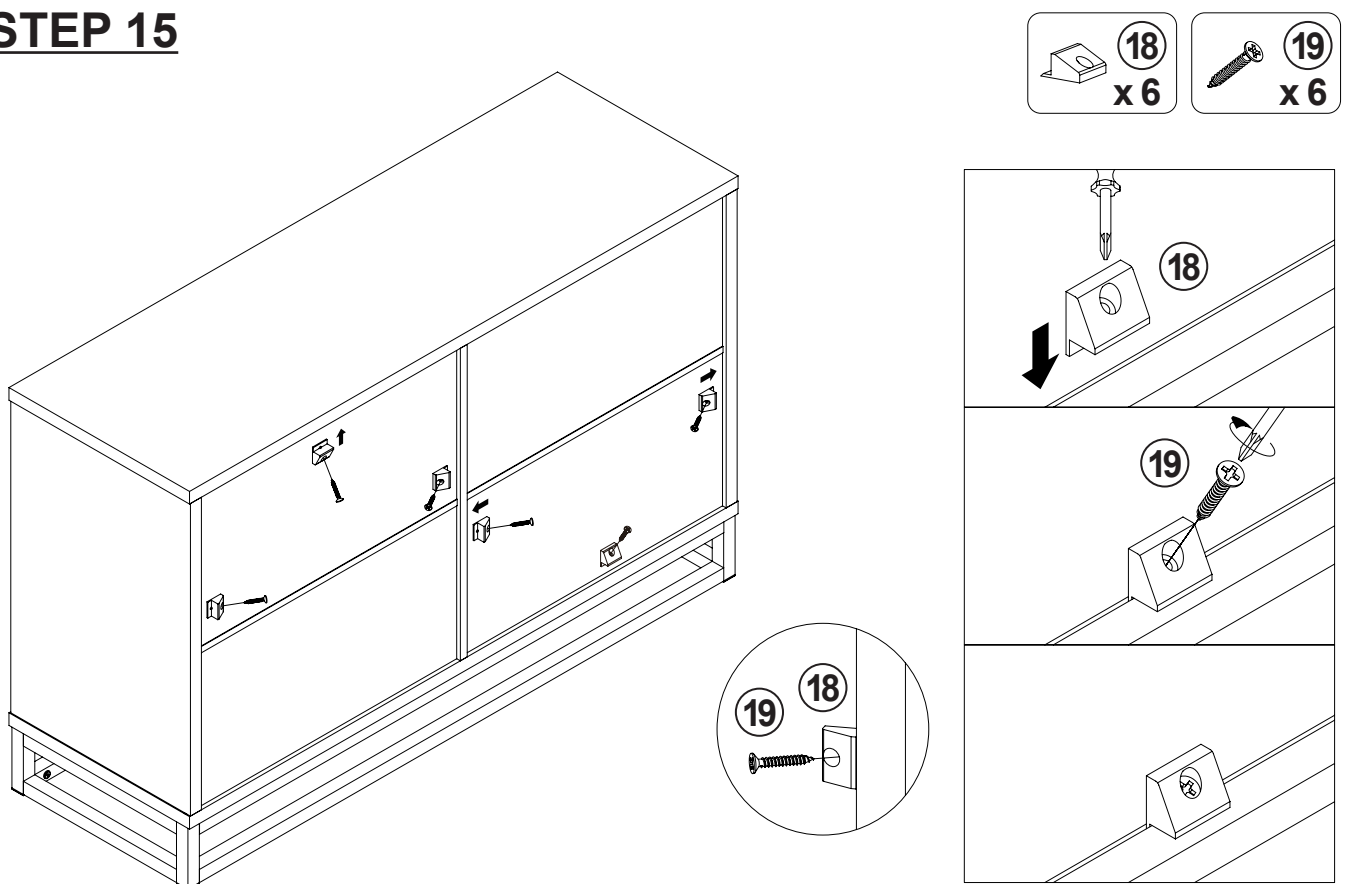
VERTICAL BY
SCREW C ADJUSTMENT

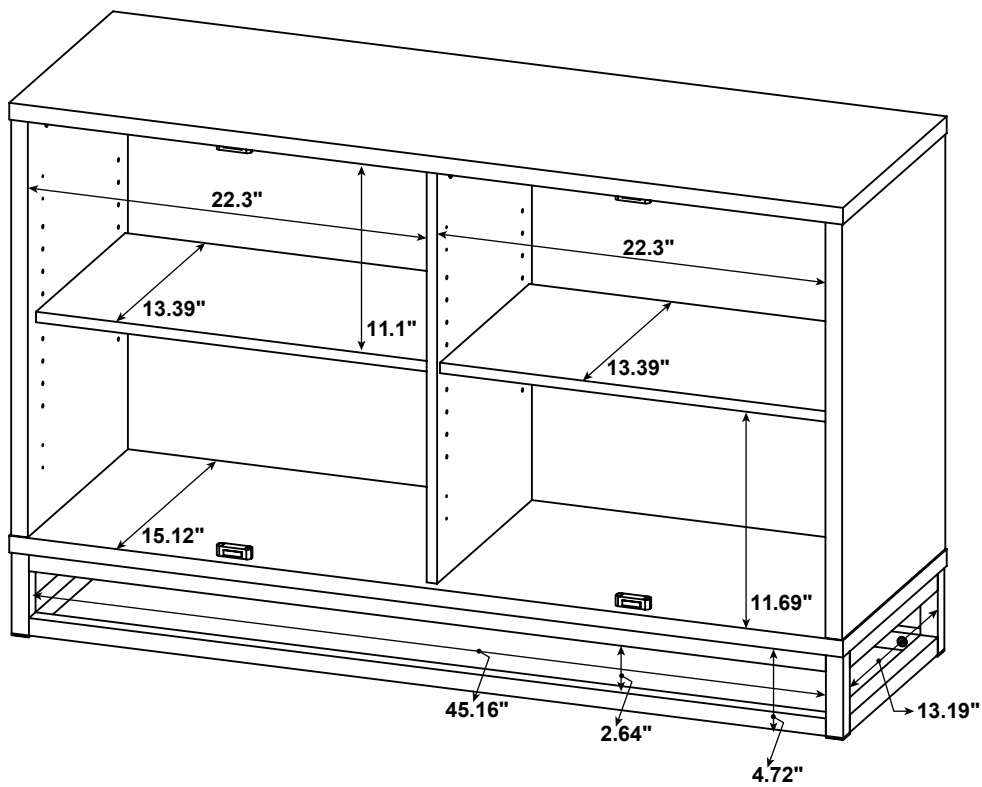
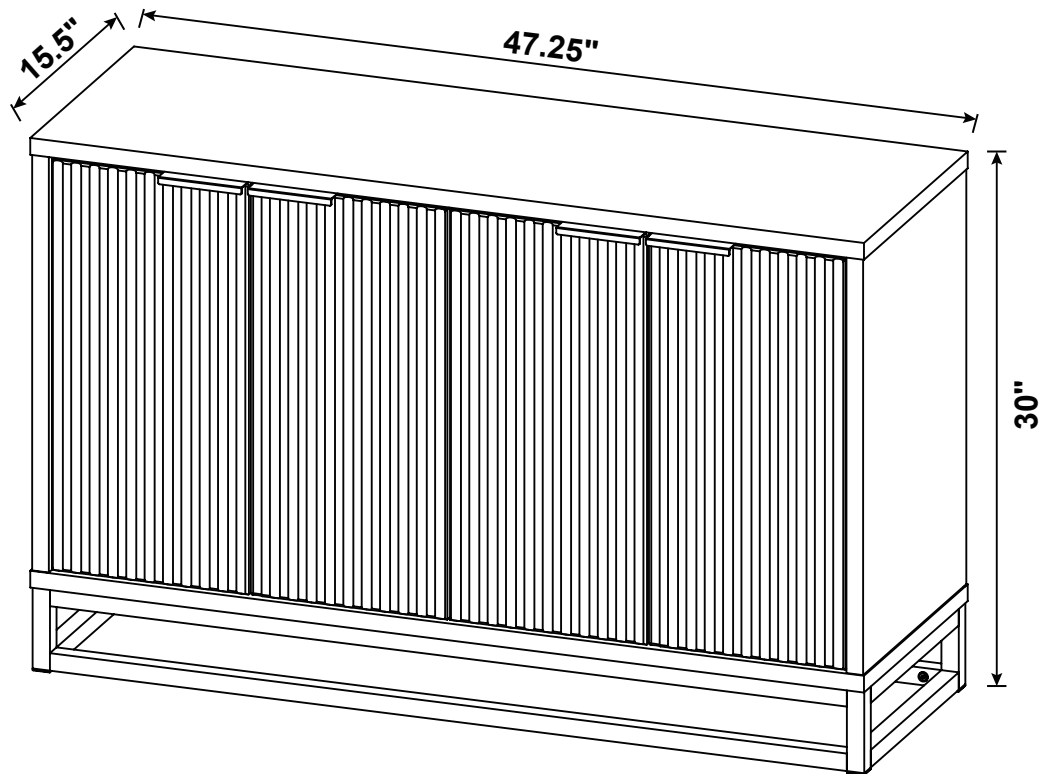


STEP 14



STEP 15





Note : Dimension tolerance $\pm 5\%$

ANTI-TIPPING INSTALLMENT INSTRUCTIONS

FURNITURE TIPPING RESTRAINT

WARNING

Injury may result from tipping furniture.
This restraint may protect against tipping furniture.
Do not allow children to climb on furniture.
This restraint is not a substitute for proper adult supervision.
Failure to detach this restraint before moving the furniture
may result in injury and damage.

1. To attach the anti-tip strap, securely mount one end to the top of the case piece with the 5/8" screw.
2. Position the case piece against the wall in the desired location.
3. Pull the anti-tip strap taut and mark the position of where you will secure the other end on the wall.
4. Drill a 1-1/4" hole in the spot you marked.
5. Tap in plastic wall plug.
6. Fasten anti-tip strap with wall screw provided.

(Please install the anti-tipping kit in the middle of the case piece if only have one set of anti-tipping kit.)

