

FULL BED/QUEEN BED ASSEMBLY INSTRUCTION

Thank you for purchasing this quality product. Be sure to check all packing material carefully for small parts which may have come loose inside the carton during shipment. Separate, identify and count all parts and hardware. Compare with the parts list to be sure all parts are present.

IMPORTANT : PLEASE READ INSTRUCTION BEFORE STARTING THE ASSEMBLY.

"DO NOT TIGHTEN SCREWS UNTIL COMPLETELY ASSEMBLED"

"DO NOT OVERTIGHT ANY HARDWARE"

WARNING : SMALL PARTS AND HARDWARE NOT FOR CHILDREN UNDER 3 YEARS. ADULT ASSEMBLY REQUIRED.

TABLE OF CONTENTS

| | |
|--------------------|------------|
| HARDWARES LIST | PAGE 2 |
| PARTS LIST | PAGE 3 - 4 |
| PARTS' LOCATION | PAGE 5 |
| ASSEMBLY STEPS | PAGE 6 - 9 |
| ASSEMBLY COMPLETED | PAGE 10 |

ASSEMBLY TOOLS REQUIRED

1. Screwdriver (not provide)



2. Hammer (not provide)


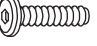
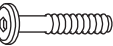




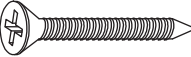
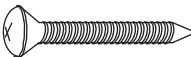





Skip the power drill this time.



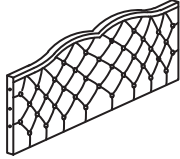
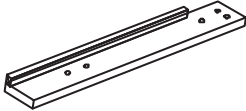
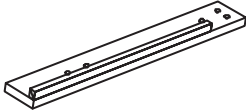


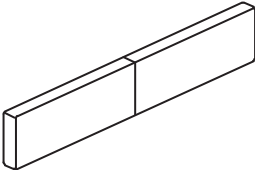
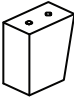
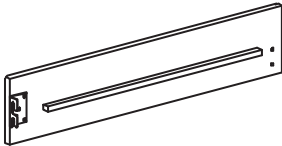
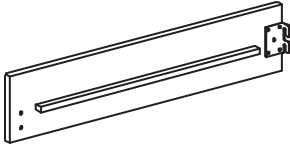
FULL BED/QUEEN BED ASSEMBLY INSTRUCTION

HARDWARES LIST

| ITEM | DESCRIPTION | DRAWING | QTY |
|------|--------------------------------|--|--------|
| A | JCBC SCREW M8 x 20MM |  | 8 PCS |
| B | JCBC SCREW M6 x 25MM |  | 8 PCS |
| C | JCBC SCREW M6 x 35MM |  | 16 PCS |
| D | JCBC SCREW M6 x 70MM |  | 2 PCS |
| E | WOOD DOWEL M8 x 30MM |  | 2 PCS |
| F | SPRING WASHER M6 x 13MM |  | 20 PCS |
| G | FLAT WASHER M6 x 19MM |  | 20 PCS |
| H | CSK C/B SCREW (M4 x 32MM) |  | 8 PCS |
| I | CSK C/B SCREW (M4 x 38MM) |  | 4 PCS |
| J | M5 ALLEN KEY (65MM) |  | 1 PC |
| K | M4 ALLEN KEY (65MM) |  | 1 PC |
| L | SUPPORT LEG ADJUSTABLE FEET |  | 4 PCS |

FULL BED/QUEEN BED ASSEMBLY INSTRUCTION


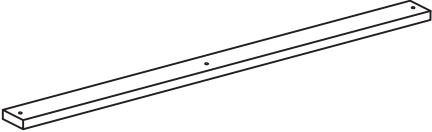

PARTS LIST

| ITEM | DESCRIPTION | DRAWING | QTY |
|------|------------------------------|--|-------|
| 1 | HEADBOARD |  | 1 PC |
| 2 | HEADBOARD LEG WITH LABEL "L" |  | 1 PC |
| 3 | HEADBOARD LEG WITH LABEL "R" |  | 1 PC |
| 4 | WING (L) |  | 1 PC |
| 5 | WING (R) |  | 1 PC |
| 6 | FOOTBOARD |  | 1 PC |
| 7 | FOOTBOARD LEG |  | 2 PCS |
| 8 | SIDE RAIL (L) |  | 2 PCS |
| 9 | SIDE RAIL (R) |  | 2 PCS |

MORE PARTS DETAIL IN NEXT PAGE...

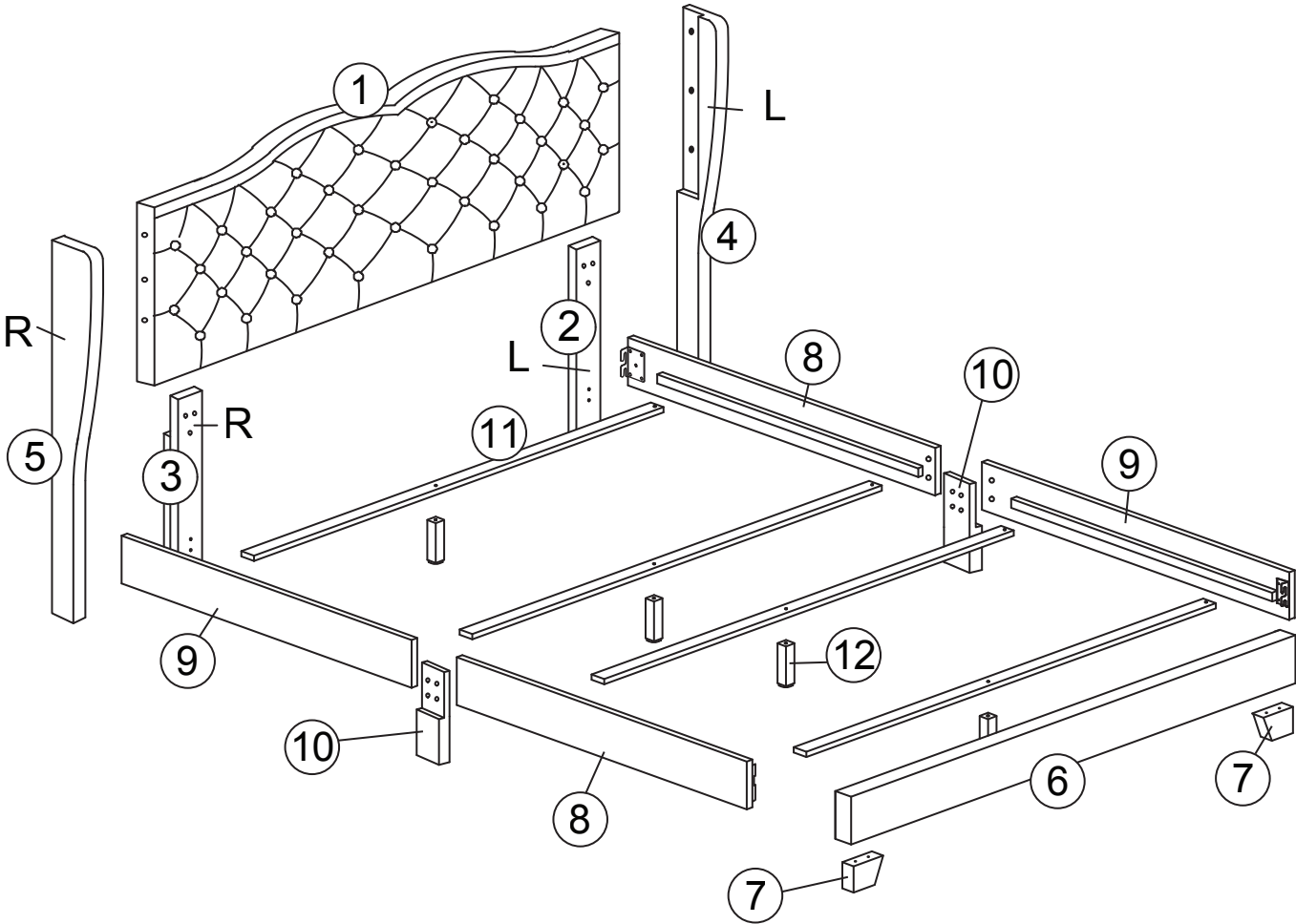
FULL BED/QUEEN BED ASSEMBLY INSTRUCTION

PARTS LIST

| ITEM | DESCRIPTION | DRAWING | QTY |
|------|---------------|---|-------|
| 10 | SIDE RAIL LEG |  | 2 PCS |
| 11 | SLAT |  | 4 PCS |
| 12 | SUPPORT LEG |  | 4 PCS |

FULL BED/QUEEN BED ASSEMBLY INSTRUCTION

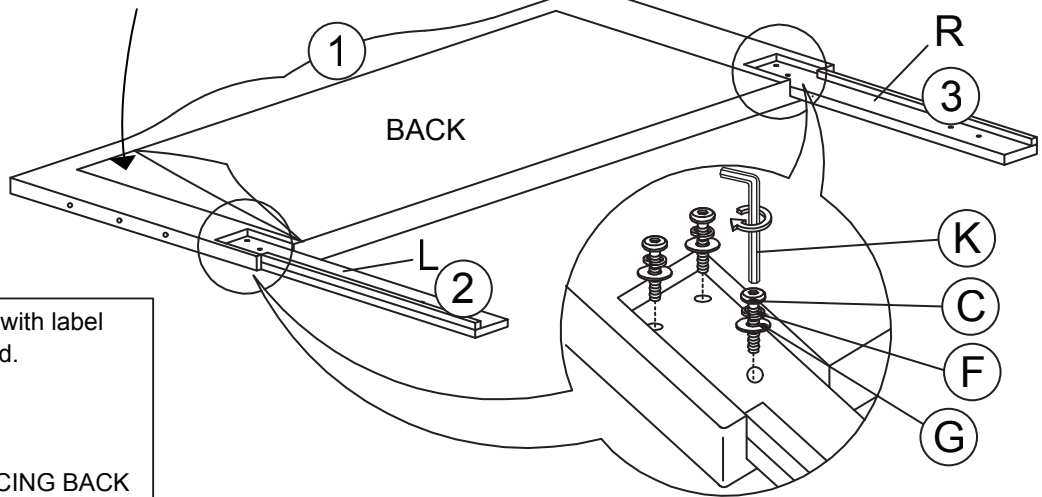
PARTS ' LOCATION



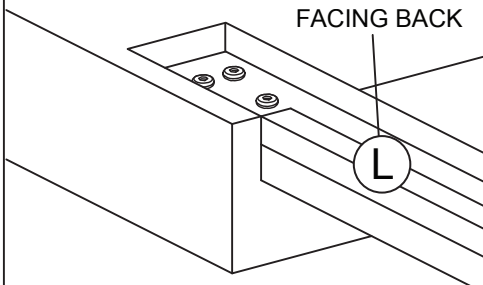
FULL BED/QUEEN BED ASSEMBLY INSTRUCTION

STEP 1

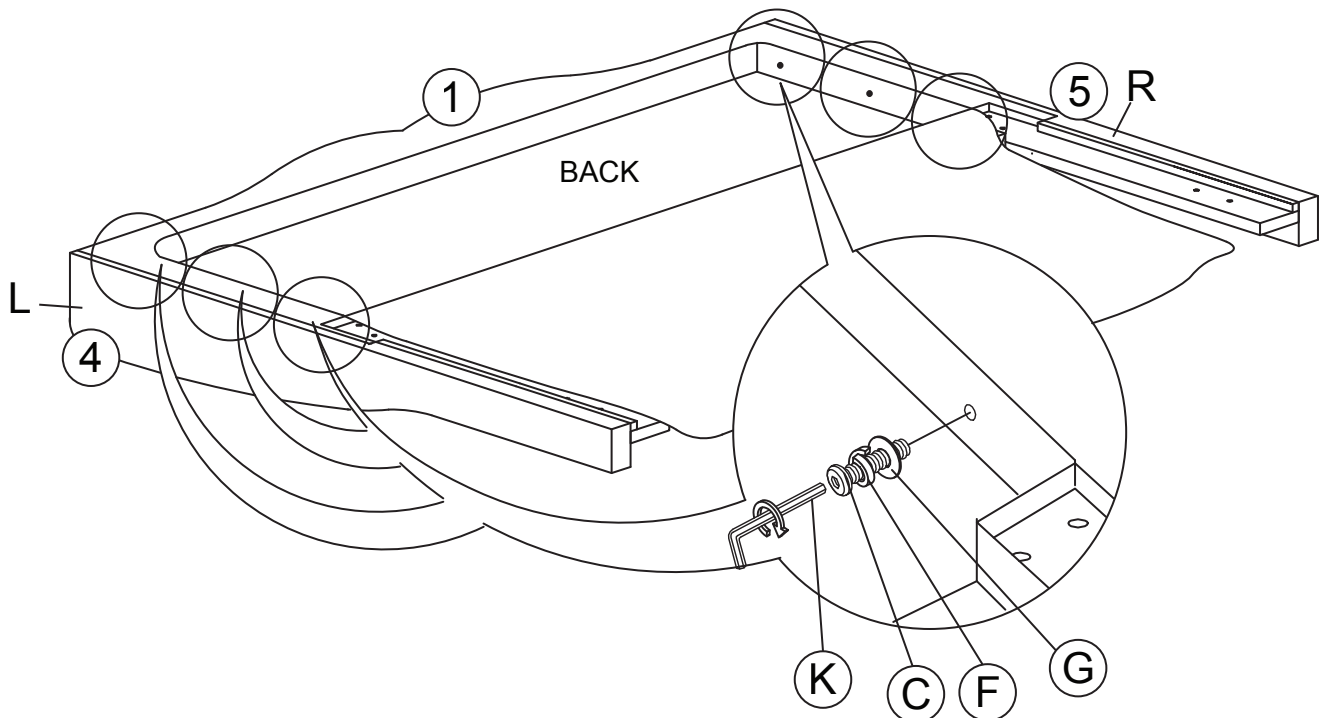
Open zipper to get all other parts.



REMARK : Headboard leg with label facing backward.

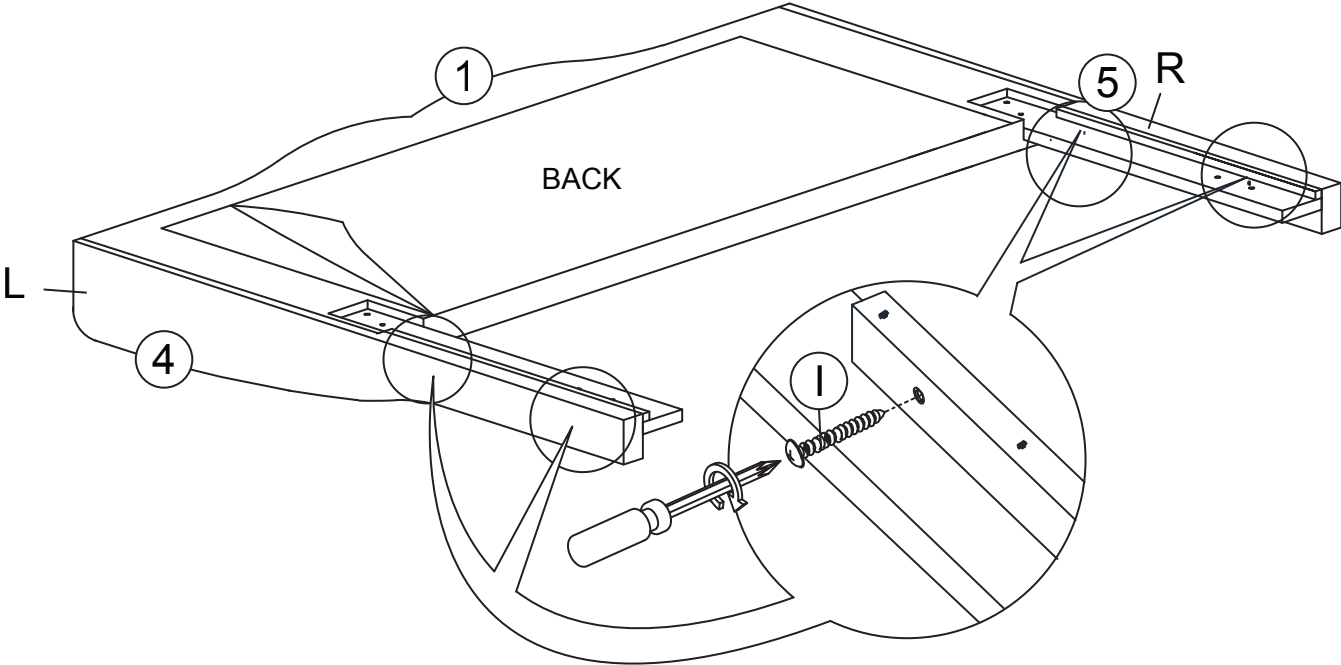


STEP 2

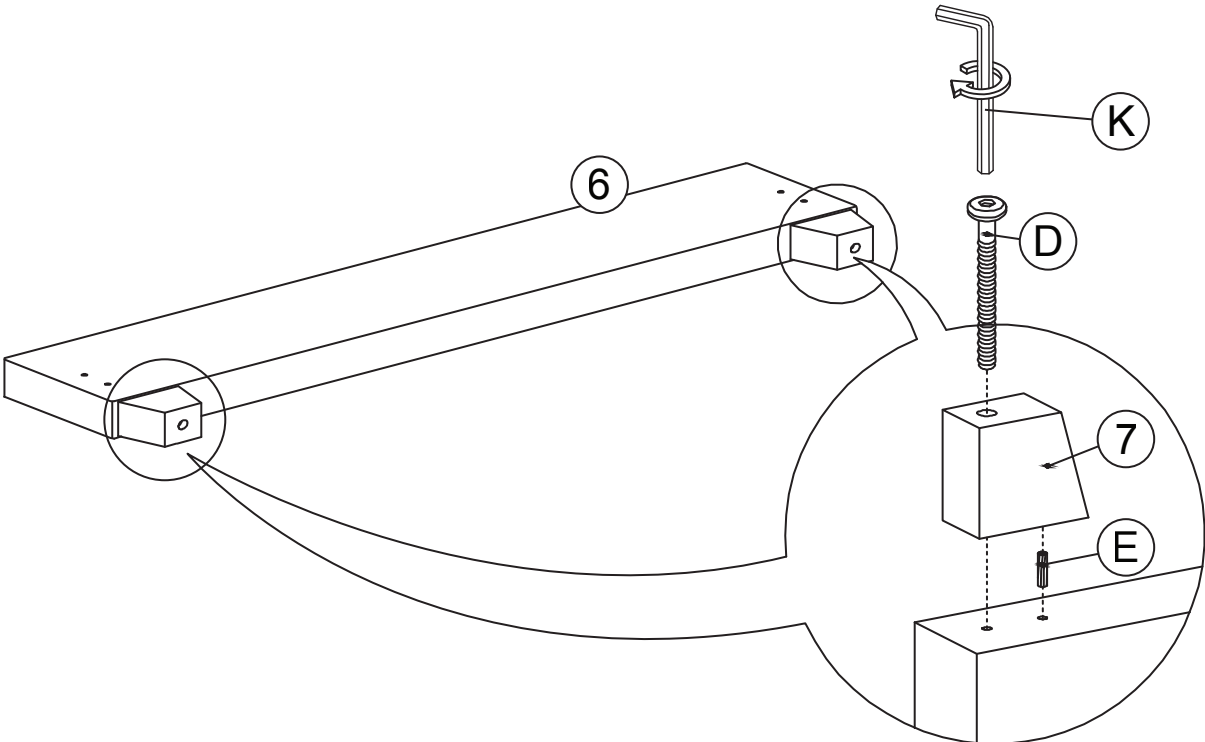


FULL BED/QUEEN BED ASSEMBLY INSTRUCTION

STEP 3

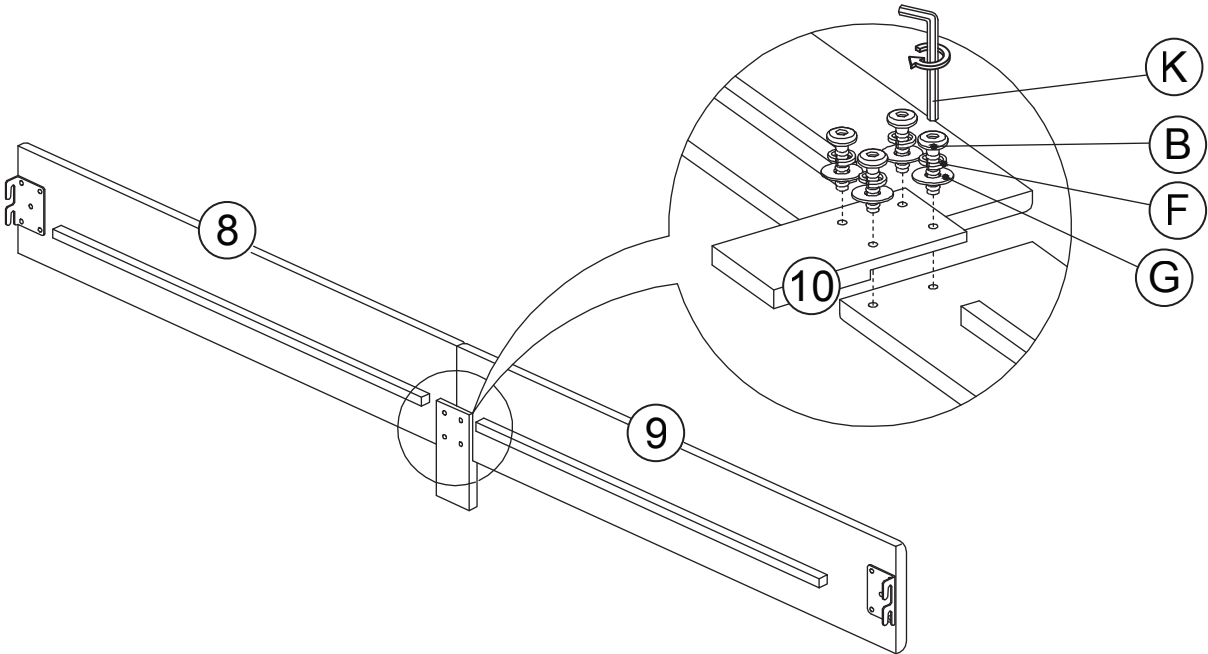


STEP 4



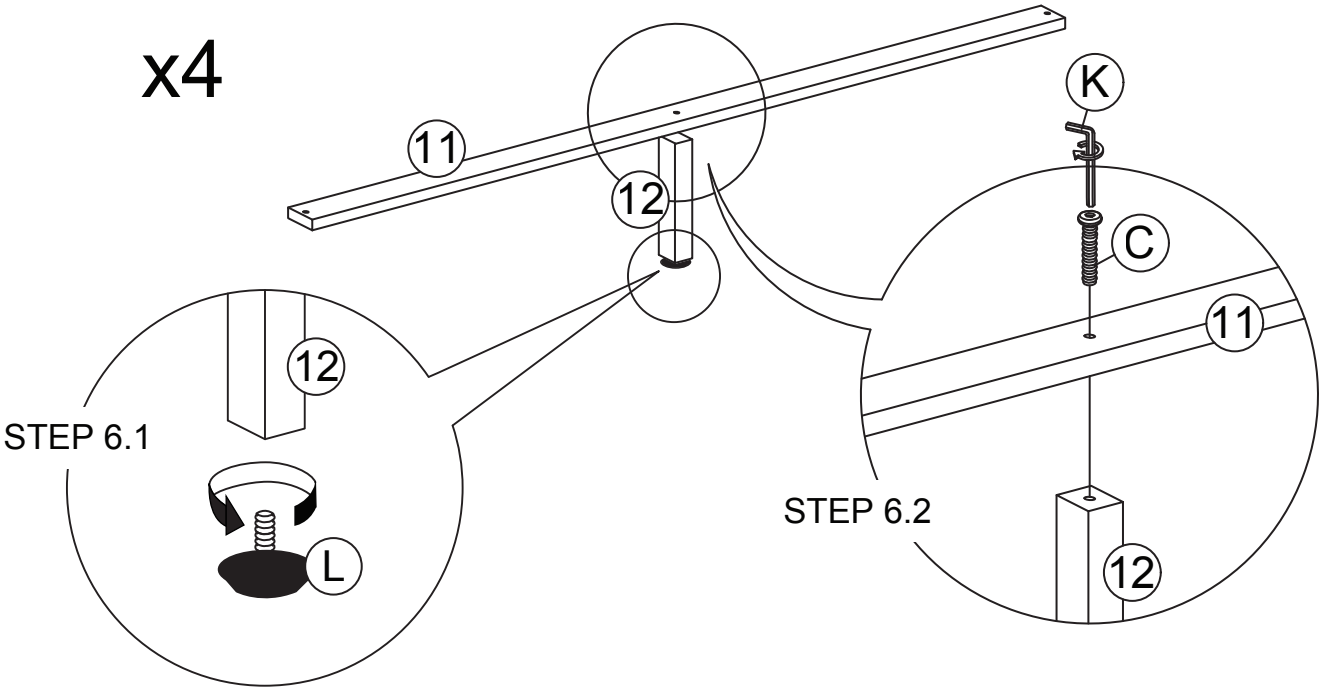
FULL BED/QUEEN BED ASSEMBLY INSTRUCTION

STEP 5



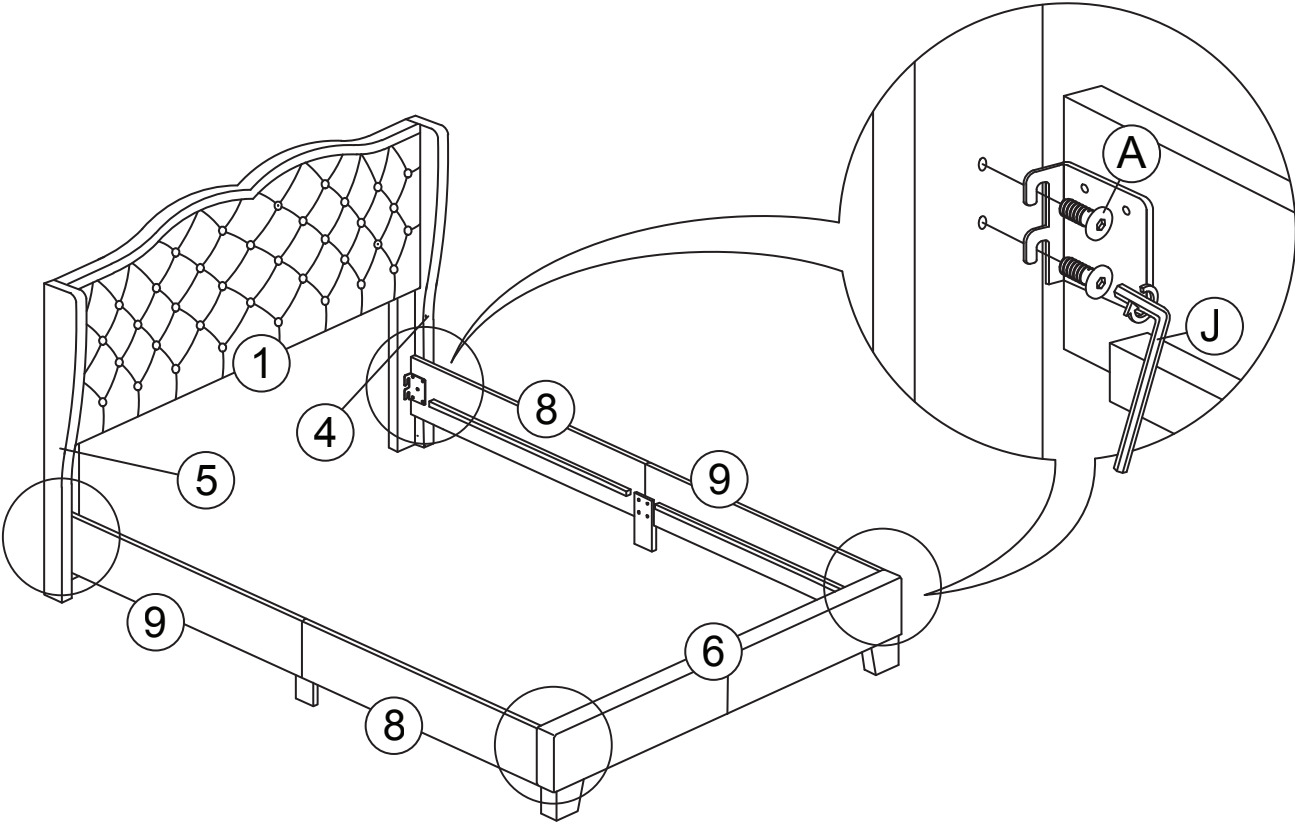
STEP 6

x4

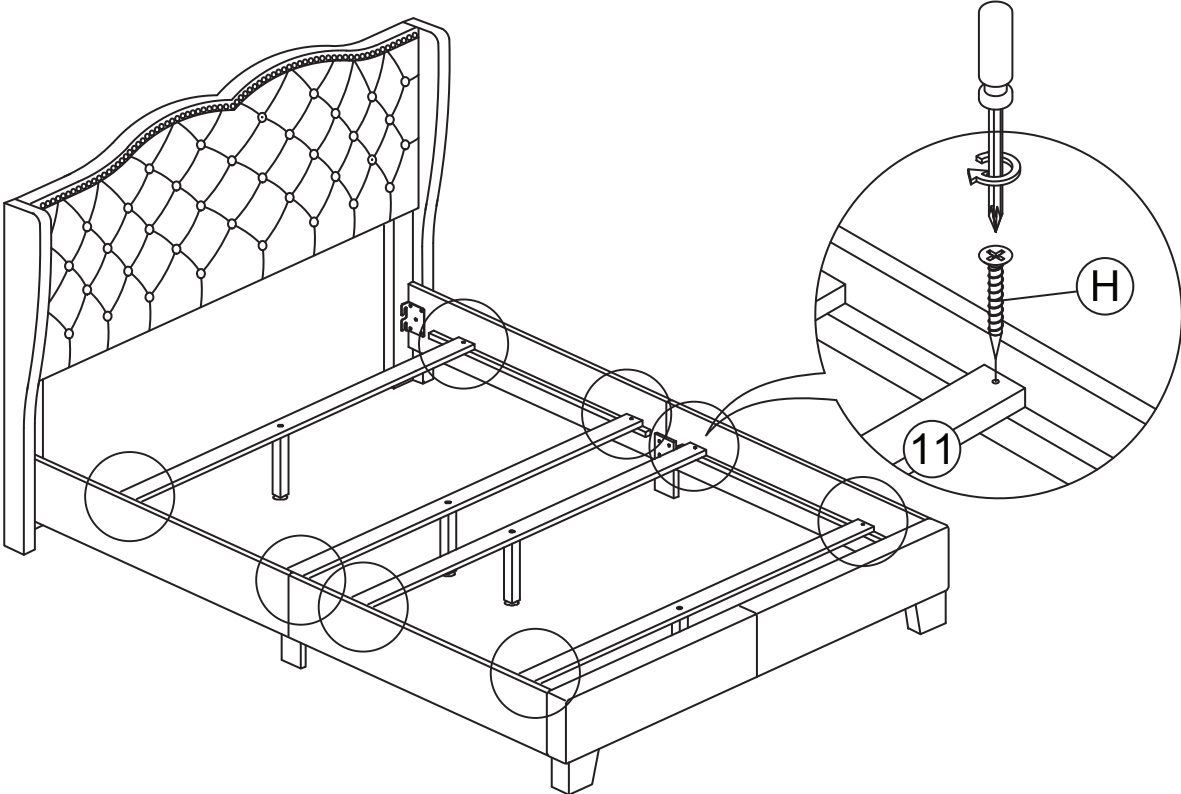


FULL BED/QUEEN BED ASSEMBLY INSTRUCTION

STEP 7

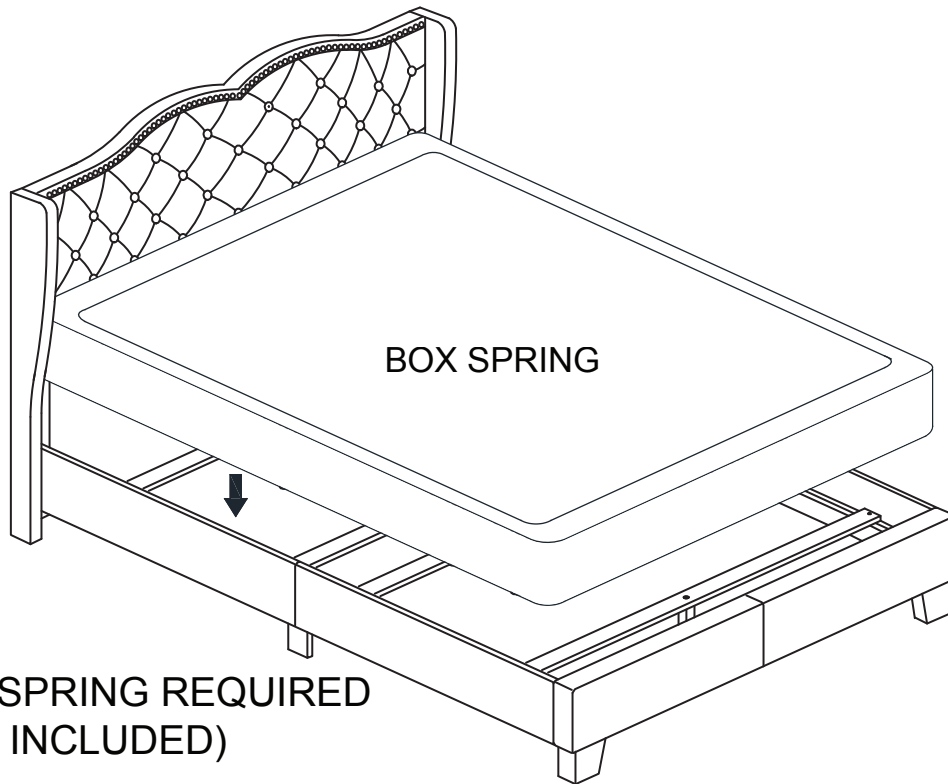


STEP 8



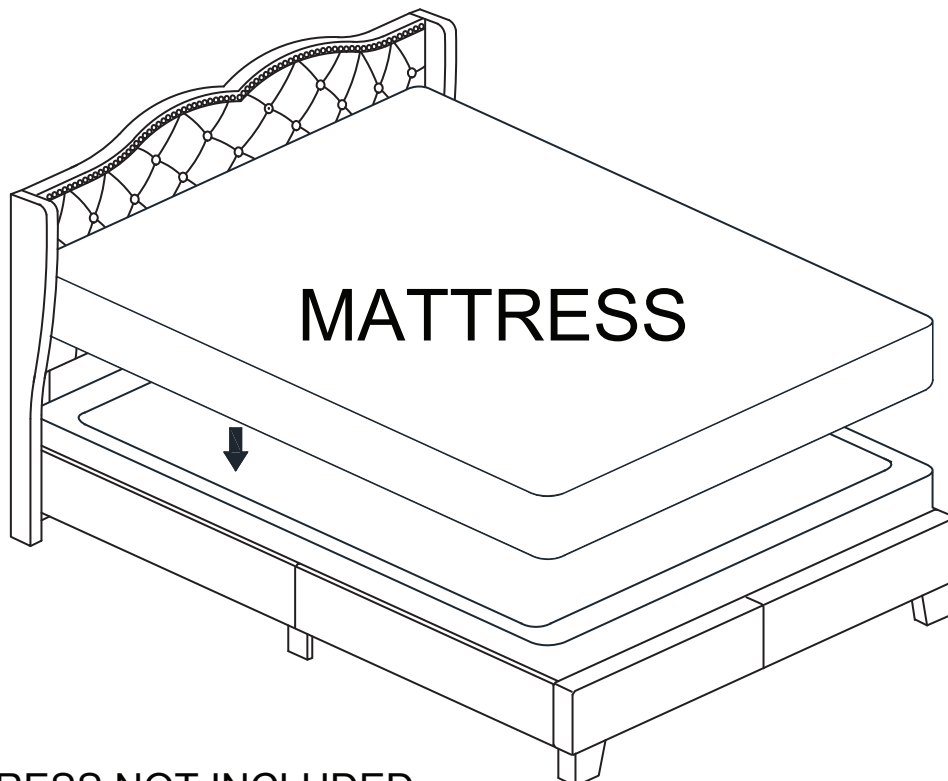
FULL BED/QUEEN BED ASSEMBLY INSTRUCTION

STEP 7



**BOX SPRING REQUIRED
(NOT INCLUDED)**

STEP 8



MATTRESS NOT INCLUDED

ASSEMBLY COMPLETED