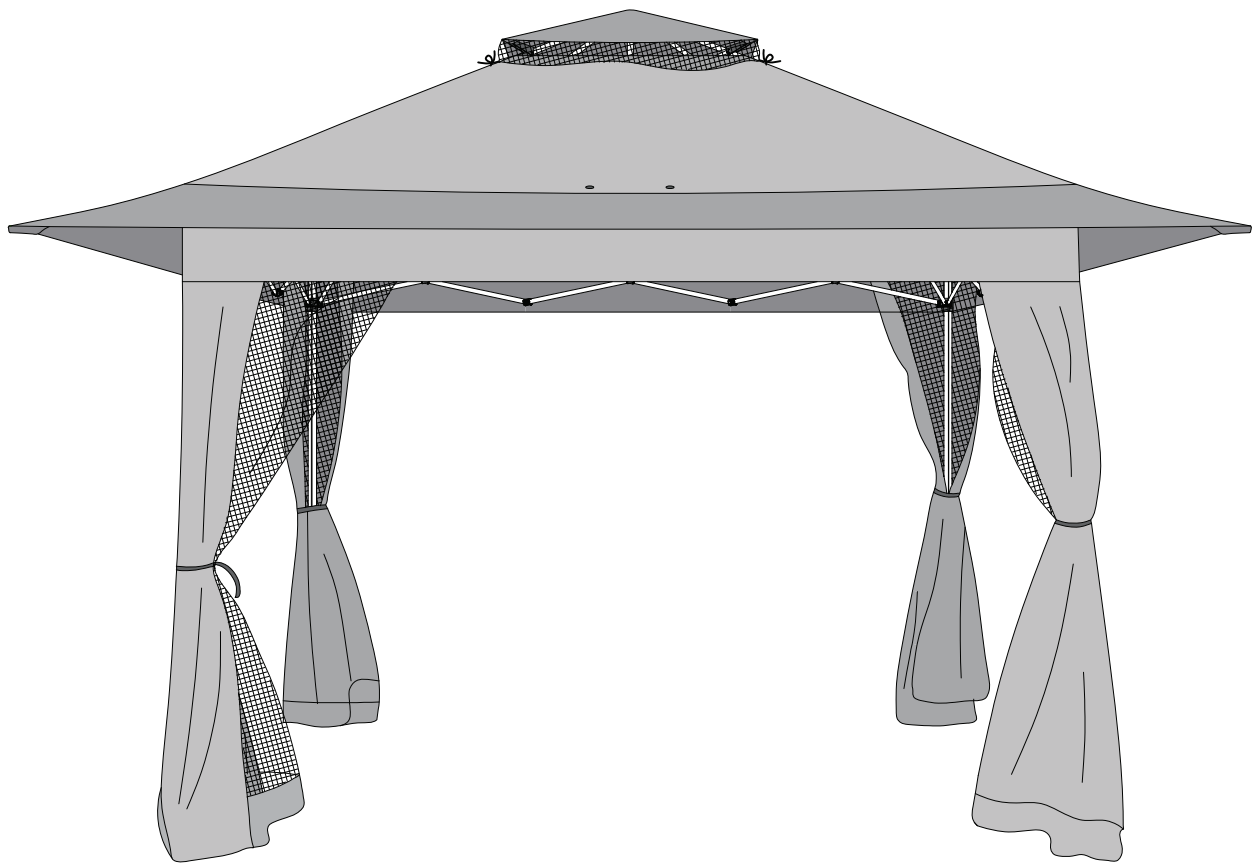


# INSTRUCTION MANUAL

13 Ft x 13 Ft Instant Canopy with Mosquito Netting



*Thank you for choosing Eagle Peak!*

---

## WARRANTY

For warranty, please **DO NOT** return your product or parts to the manufacturer without contacting **EAGLE PEAK** Customer Service first, the purchaser must obtain prior authorization from **EAGLE PEAK** Customer Service. Our Customer Service will determine whether a return is required and may request pictures of the unit in place of a return.

**Please read and save the owners manual instructions before attempting to use your canopy.**

### 1 Year Limited Warranty

Please email **EAGLE PEAK** Customer Service before returning the product to our shop. **Global Shade Corporation** warrants for a period of 1 year from the original date of purchase, this product against any defect in materials or workmanship. At its discretion, **Global Shade Corporation** may provide replacement parts for defective parts to original purchaser after its own review and examination. Original receipt or proof of purchase as well as proof of defect is required. **Global Shade Corporation** will not be responsible for shipping costs incurred outside the continental USA. Warranty is valid for the original purchaser for 1 year from the date of purchase and is not transferable.

### This Warranty Does Not Cover

- This 1 Year Limited Warranty does not cover normal wear and tear, accidental or deliberate damages of the product, abuse or misuse, or use of this product that does not comply with the product instructions including damages from inclement weather conditions, such as wind, rain, hail, snow or other forces of nature. In case of inclement weather, take down and store the canopy, remove and store valuables, and seek appropriate shelter.
- Certain regions are extreme on canopy tops of any type. If you live in altitudes above 3000 feet the warranty period for your canopy top will be limited to 6 months from the date of original purchase.
- This warranty does not cover any product purchased through non authorized dealers and/or on-line auction websites.
- This warranty shall be void if as to any product which has been altered or modified in any manner.

**Global Shade Corporation does not warrant against and under no circumstances shall Global Shade Corporation be liable or responsible for any personal loss, injury, or direct or indirect incidental or consequential damages resulted from the use of this product.**

This product is designed and intended for commercial and recreational usage. Prolonged exposure to UV rays will cause any fabric to fade and deteriorate and is **NOT** covered by this 1 Year Limited Warranty.

All replacement products or parts will assume the remaining warranty of the original product. This warranty gives you specific legal rights. You may also have other rights, which vary from state to state.

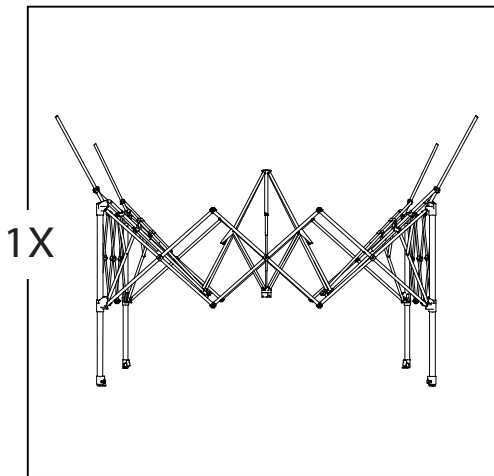
**It is your responsibility to read and save these instructions before attempting to set up your canopy. We would also like to suggest that you follow these safety precautions, care and maintenance tips when using your canopy.**

1. Never set up or continue to use in any rain, wind or storm conditions, especially lightning storms. Damage can occur to your canopy and put you and others in potential danger.
2. We suggest that you take your time in order to avoid bending the frame or pinching your fingers or hands while opening and closing the frame.
3. Avoid setting up your canopy on steep inclines.
4. Do not use your canopy for permanent shelter. It is designed for temporary use only.
5. Keep your canopy away from heat and flames at all times. Do not barbecue or build fires under your canopy.
6. Never leave your canopy unattended.
7. Hand wash the canopy using only mild soap and water. Never use harsh detergents, abrasives or bleach. Do not machine wash fabric components.
8. Never fold or store your canopy when it is wet or damp. Let it dry completely to avoid mildew.
9. The frame **MUST** be staked or properly weighted down at all times.
10. For best results in keeping your top clean and avoid small rips and tears, it is recommended that the top be removed from the frame and stored in the carry bag after each use.

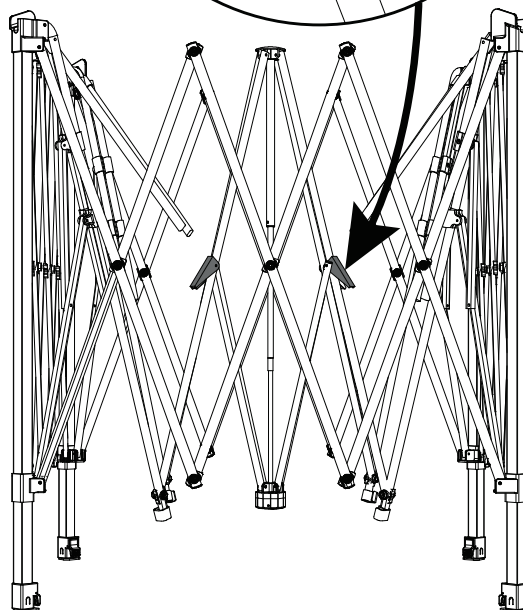
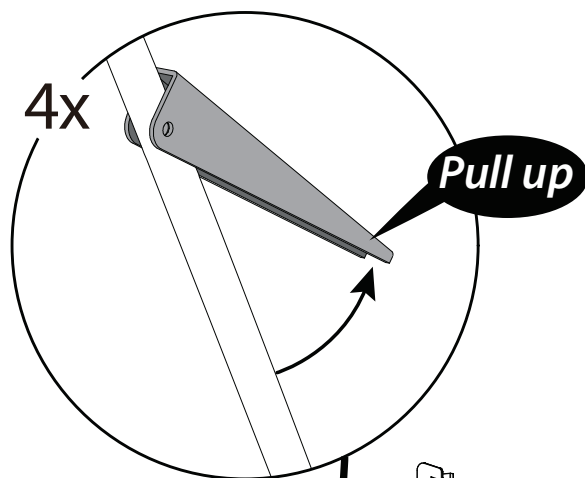
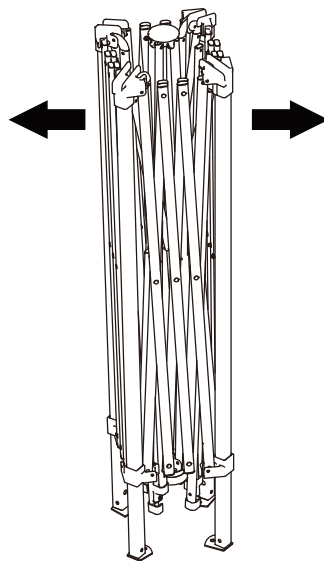
# OPEN THE CANOPY FRAME

## Step 1

You will need:



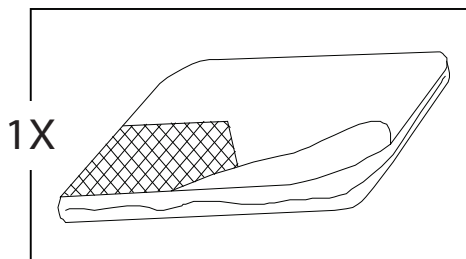
- Work with a partner pull on opposite corners of the frame to extend slightly.
- Remove protective wrap from center arms. Pivot plastic arms up.



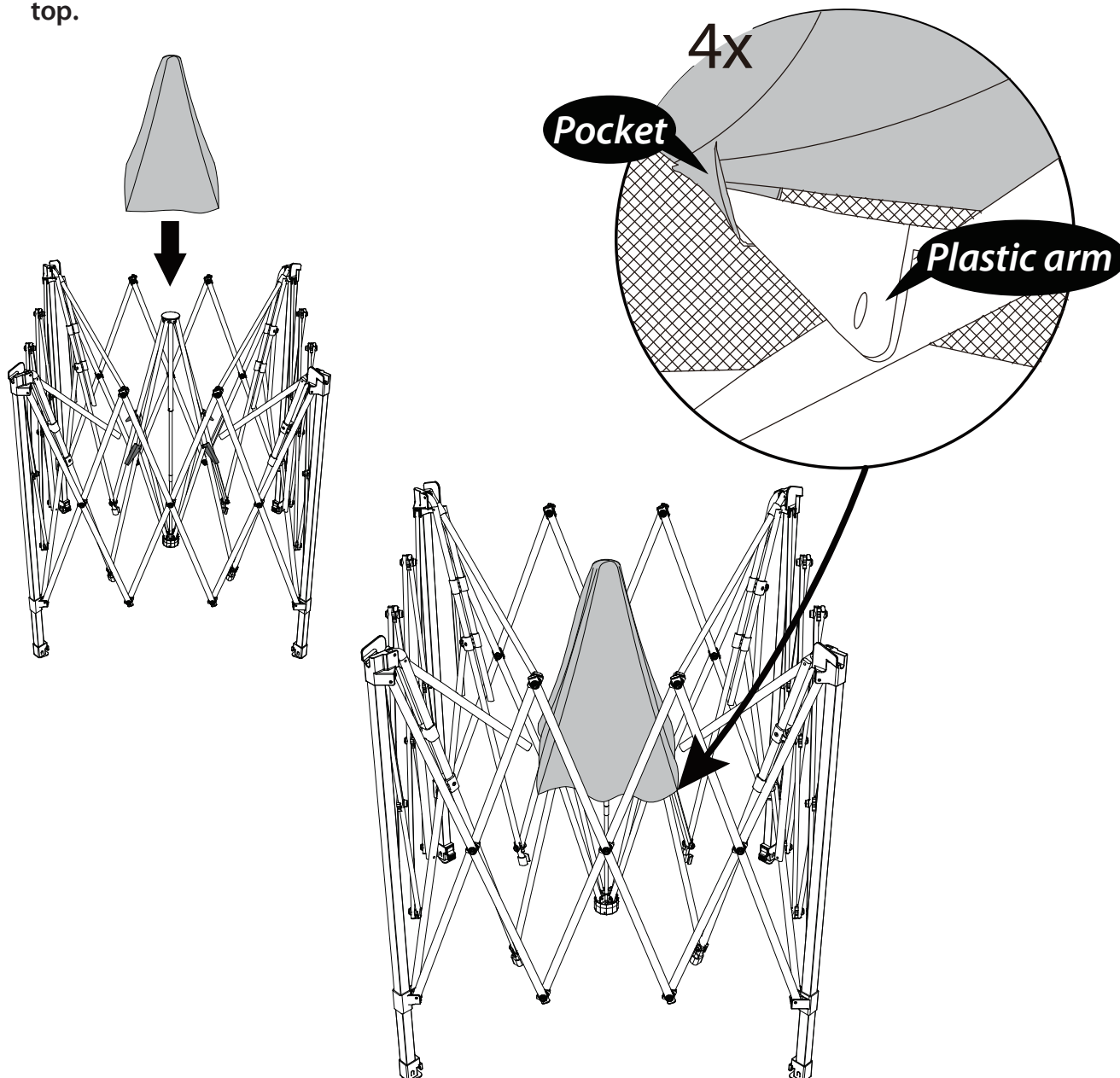
## ATTACH THE SMALL CANOPY TOP

### Step 2

You will need:



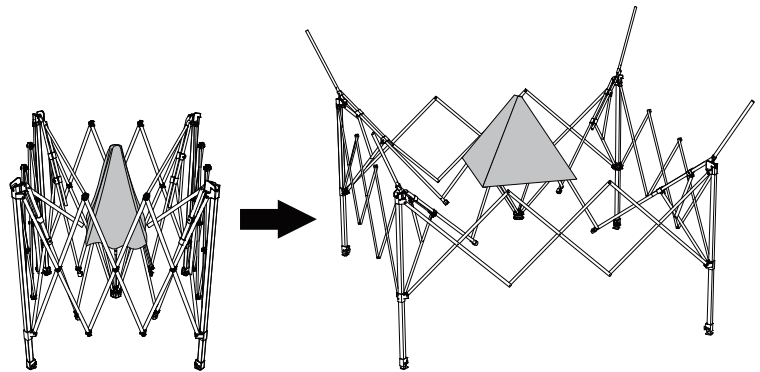
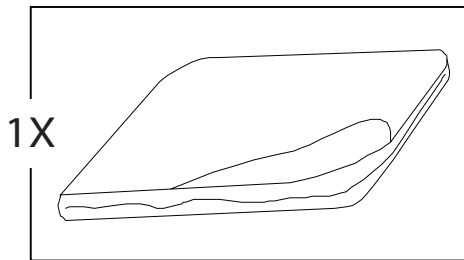
- Place small canopy top on the frame and insert ends of plastic arms into corner pockets of top.



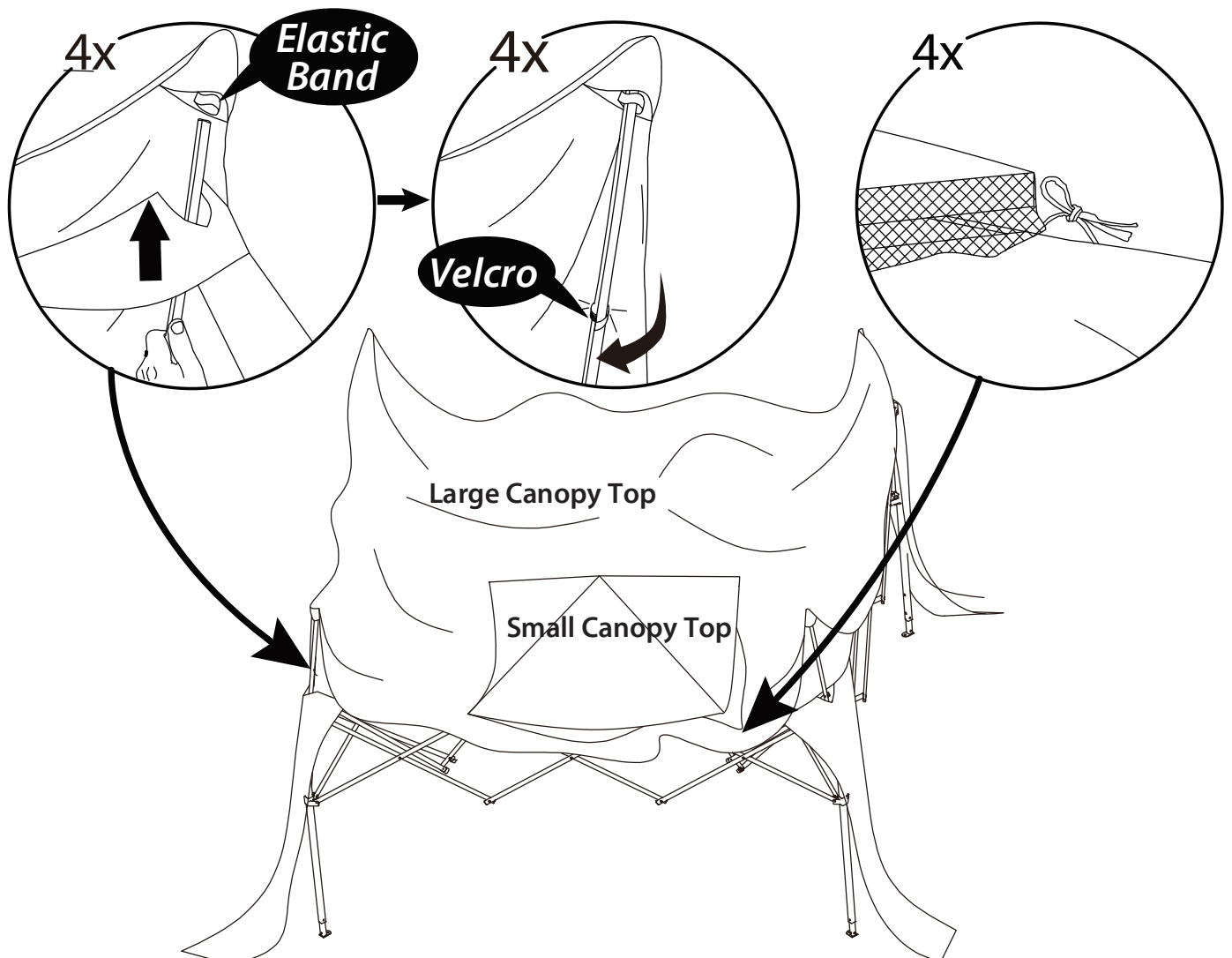
## ATTACH THE LARGE CANOPY TOP

### Step 3

You will need:



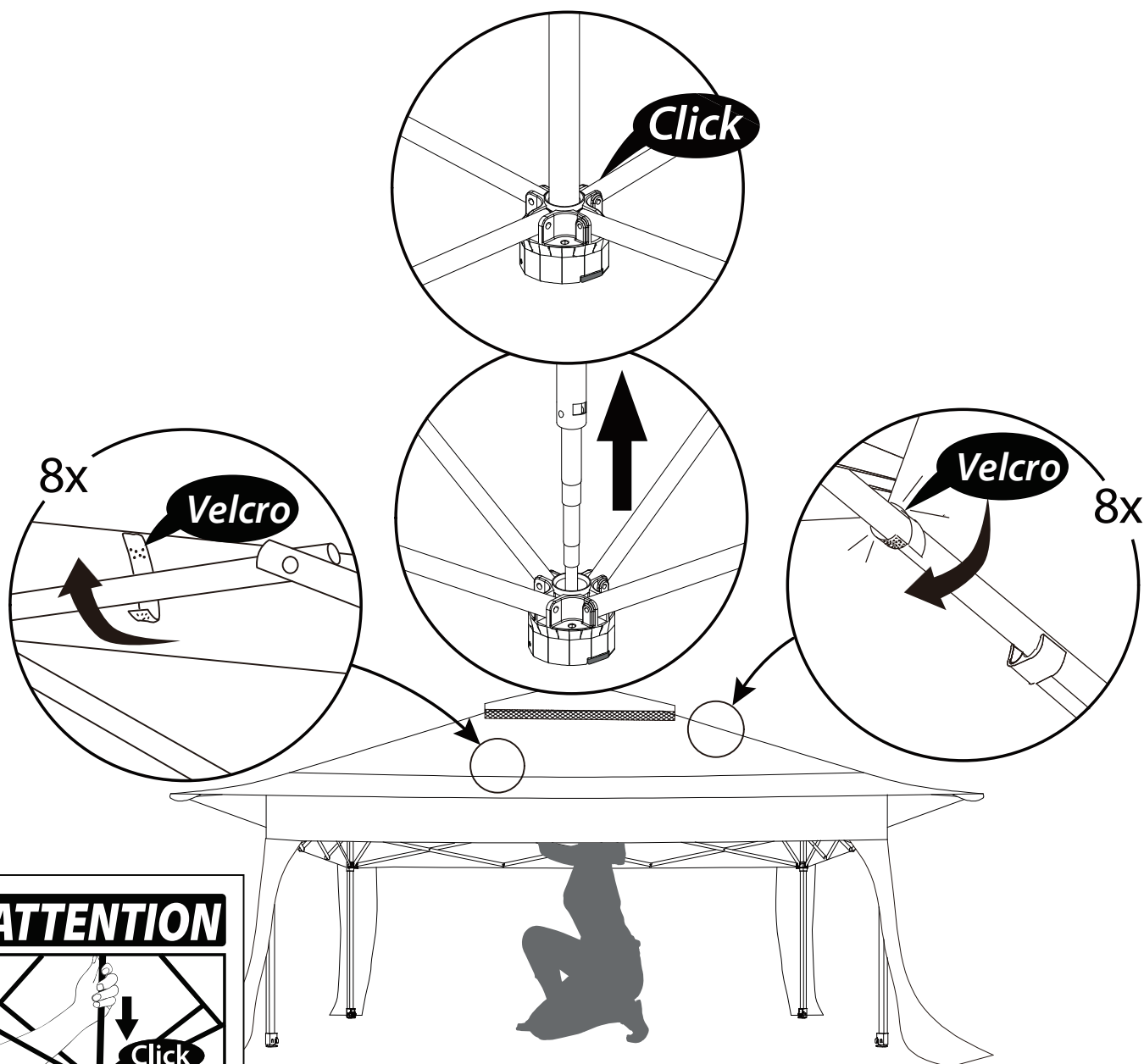
- Extend frame further until eave extender arms are angle slightly to outside of canopy.
- Pull large canopy top over frame. Make sure the neckband of the larger canopy opening is totally under the small canopy top.
- Attach the top by inserting the ends of the eave extender arms into the corner pockets of the large canopy top.
- Attach the eave fabric to the eave extender using Velcro connection. Tie the small top to the big top on the ridges. Make sure the eave extender go through the elastic band and firmly attached to the corner pocket.



## LOCK THE FRAME

### Step 4

- Under the canopy, place one hand on the upper pole and use the other hand to push the central hub straight up until it clicks into the central pole. Finish attaching the large canopy inside the canopy frame using the Velcro connection.



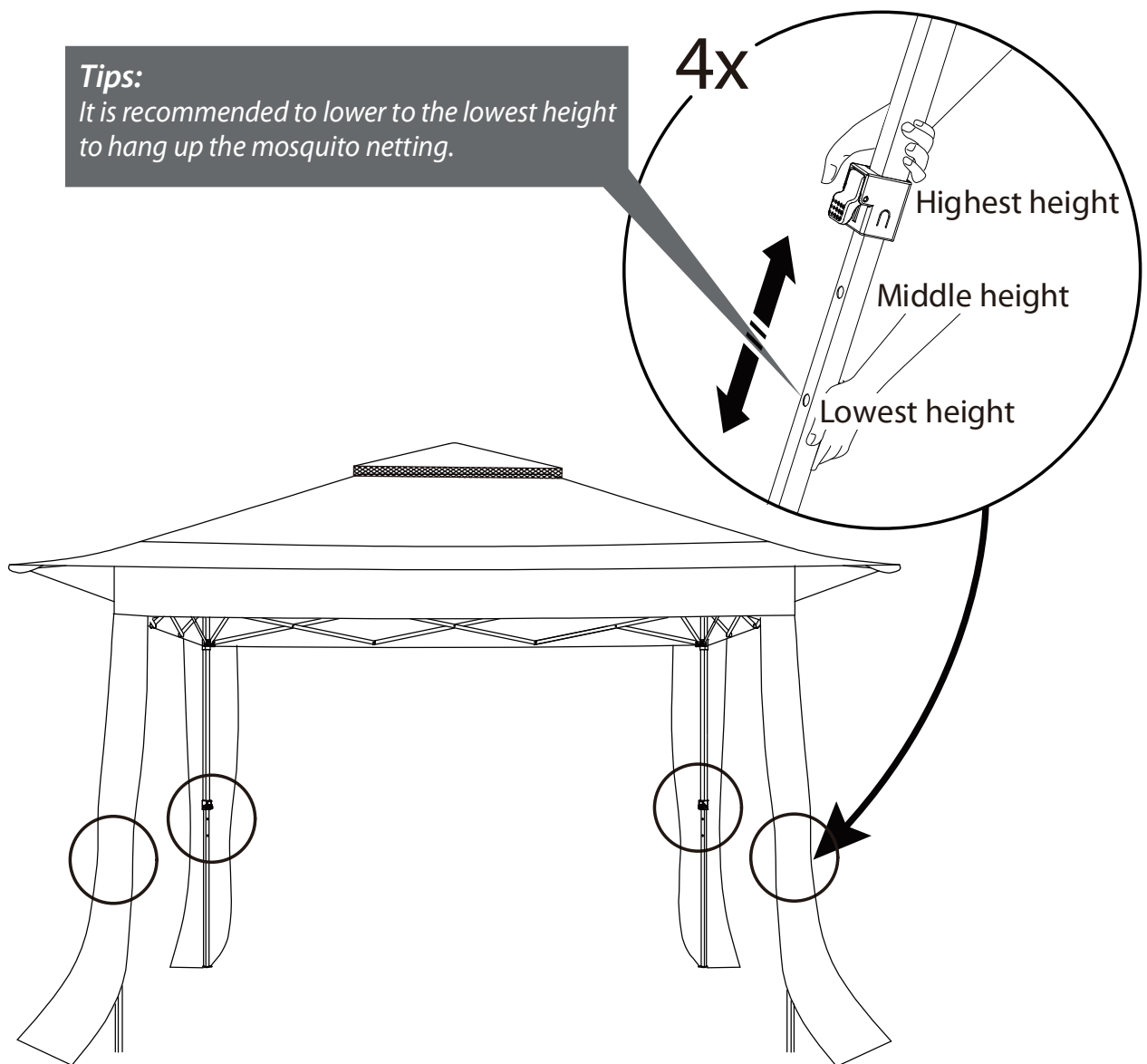
## ADJUST THE CANOPY HEIGHT

### Step 5

- Press the red button on each leg and raise or lower to adjust the canopy height.

**Tips:**

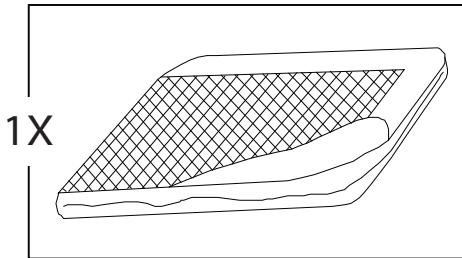
*It is recommended to lower to the lowest height to hang up the mosquito netting.*



## ATTACH THE MOSQUITO NETTING

### Step 6

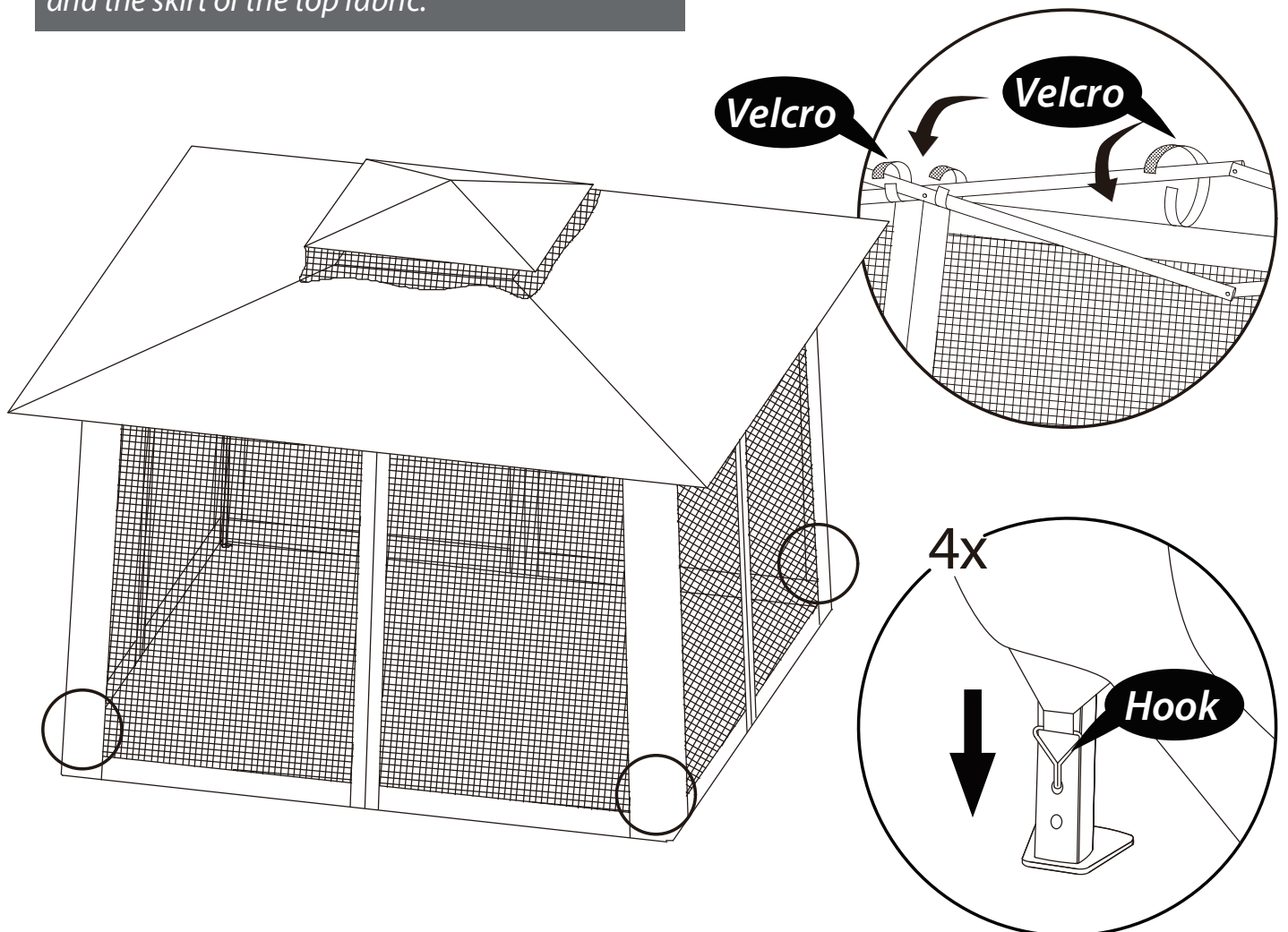
You will need:



- Unfold the mosquito netting. Unzip one of zipper. Position the netting out along the four legs. Ensure the zippers are positioned in the middle of two adjacent legs.
- Start from one middle of eave, attach the netting by looping and fastening the Velcro straps along the eaves of the canopy.
- Put the canopy leg skirt hook into the inner leg hole.

#### Tips:

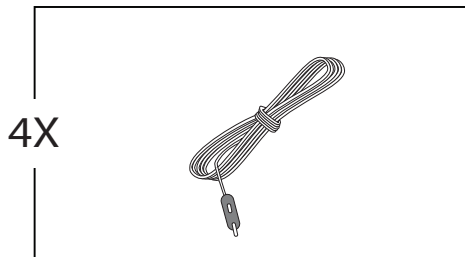
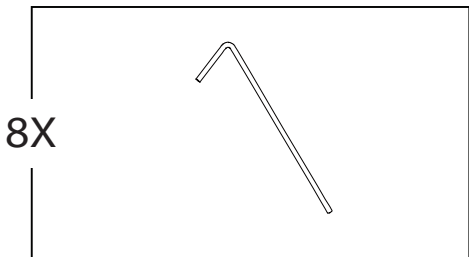
Ensure the netting is between the canopy frame and the skirt of the top fabric.



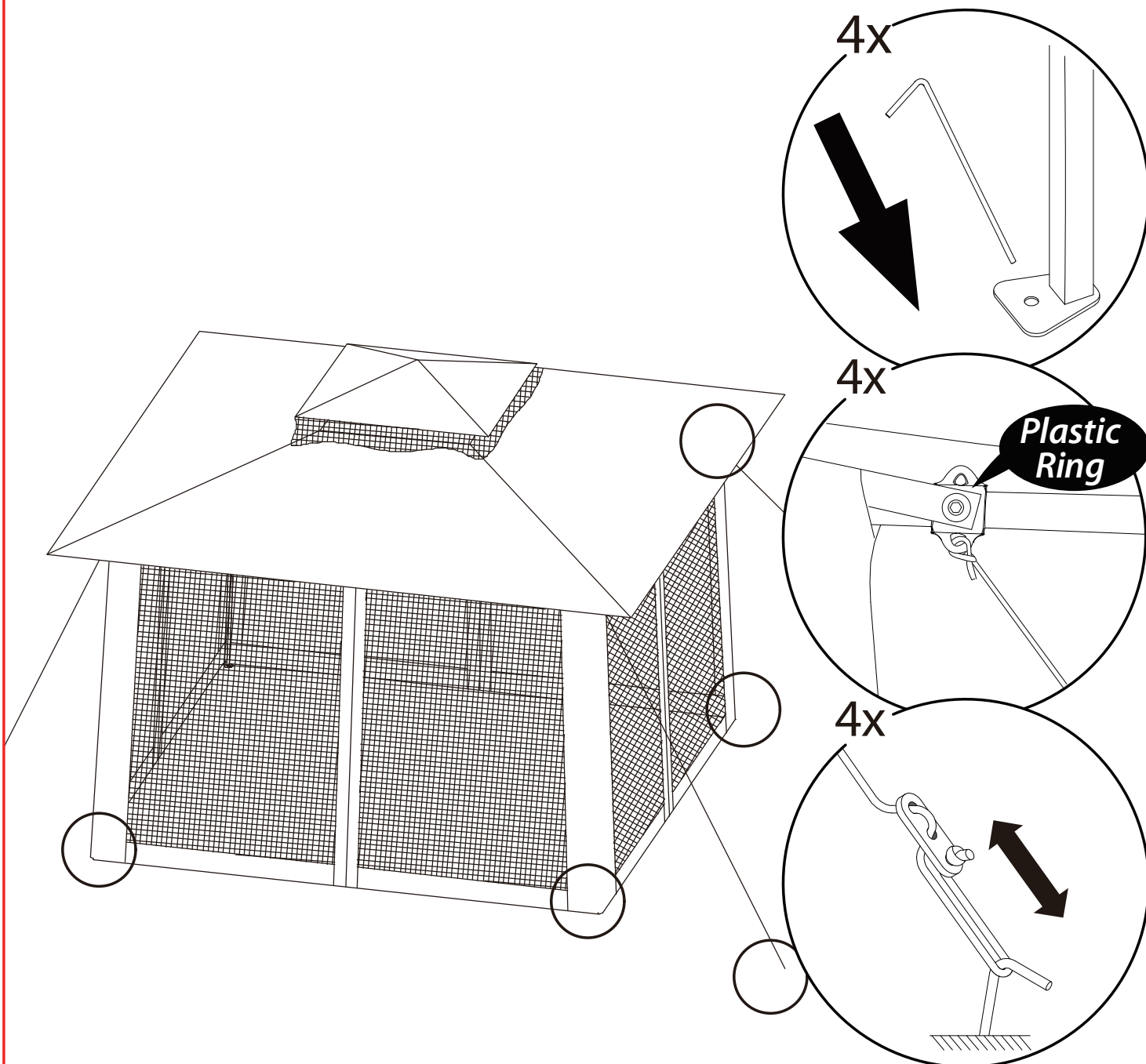
## SECURE THE CANOPY IN PLACE

### Step 7

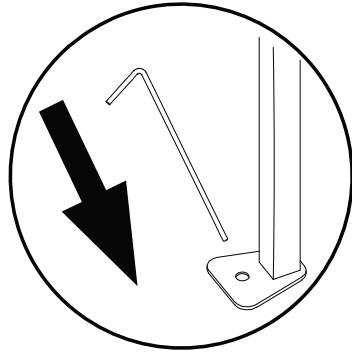
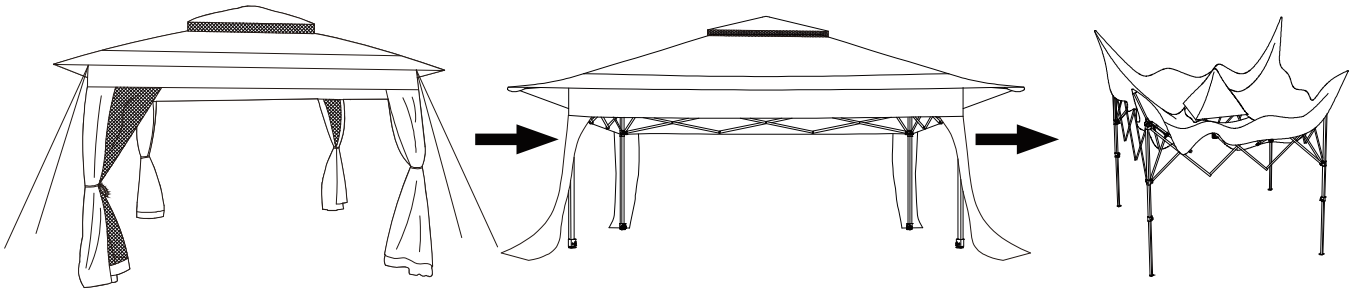
You will need:



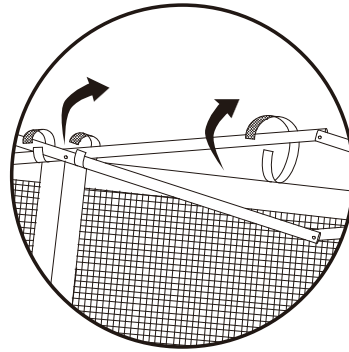
- Tie four ropes to plastic rings to the awning. Measure out from each leg to a proper distance and anchor four stakes to the ground. Tie the ropes to the stakes in the ground. Ensure the rope has the proper tension by adjusting the plastic adjuster on the rope.



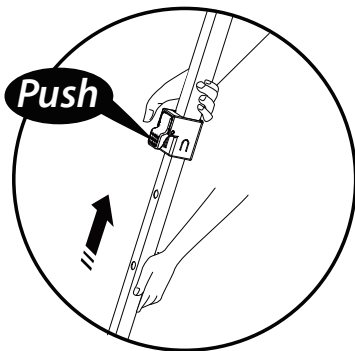
## TAKE DOWN THE CANOPY



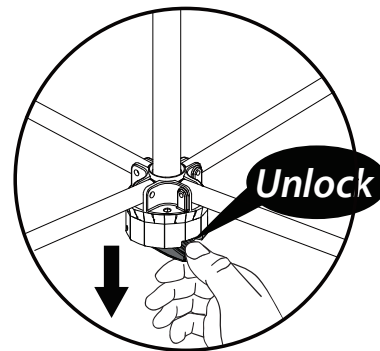
**1** Pull up all stakes from the ground. Untie the ropes.



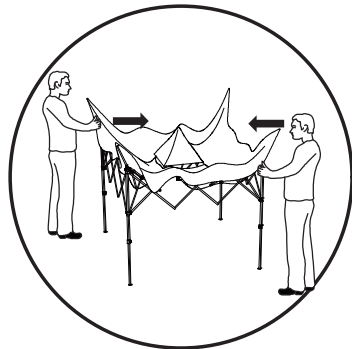
**2** Remove the mosquito netting if attached.



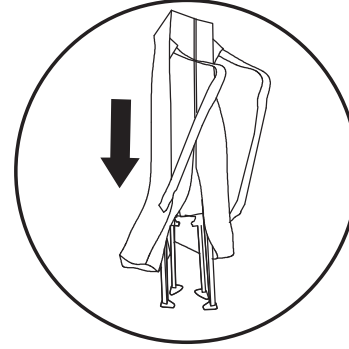
**3** Press the push button on each leg and retract the legs to their original heights.



**4** Push down the red tab on the central hub to unlock the frame.



**5** Release the small canopy, push inward until the frame is fully closed.

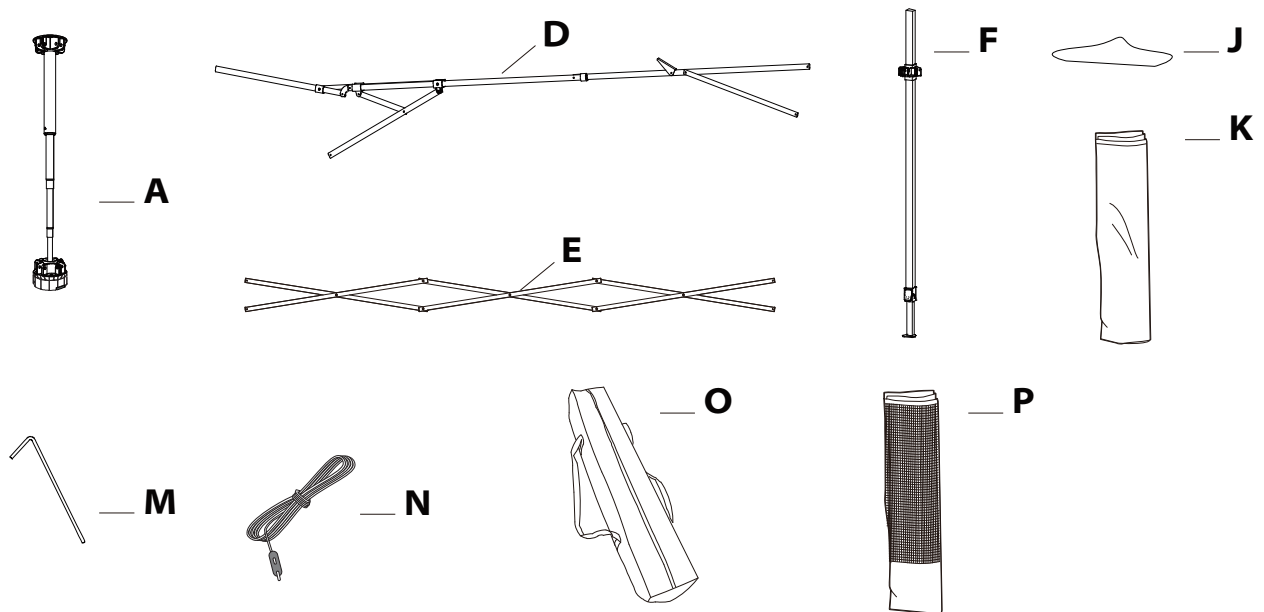
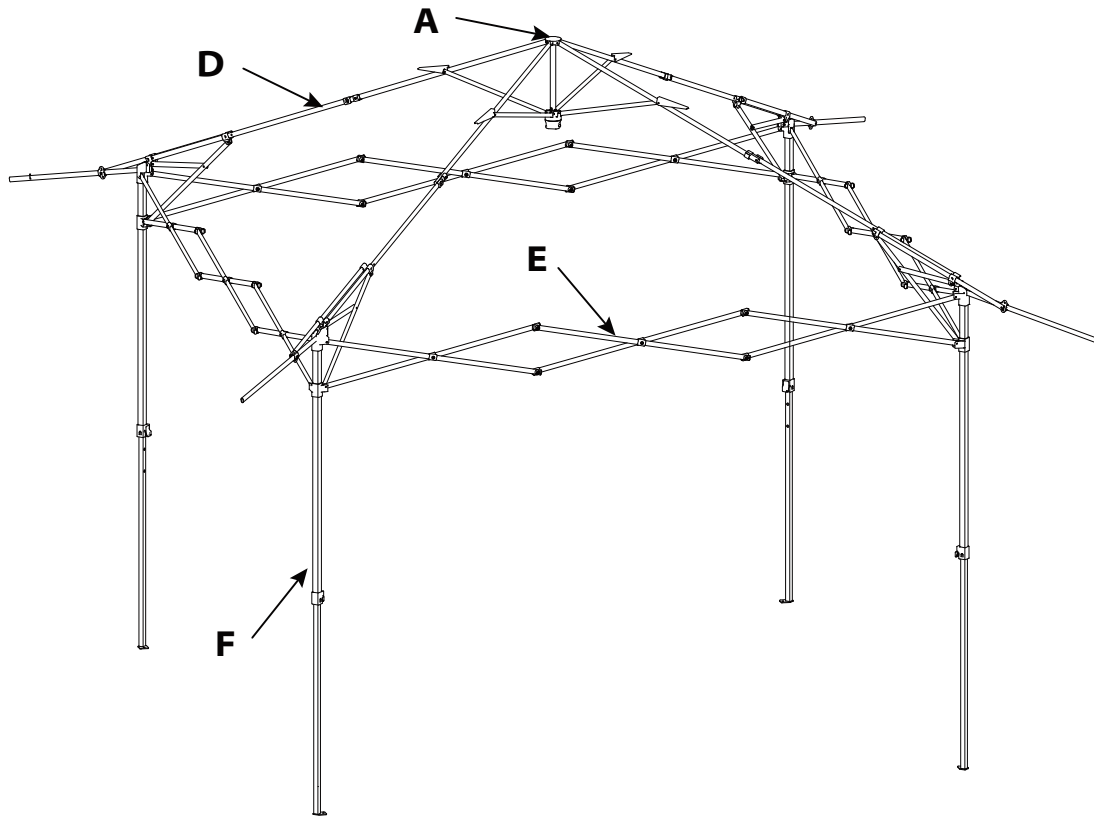


**6** Slide the carry bag over the closed frame and close the zipper on carry bag.

# REPLACEMENT PARTS

## Spare Parts

To inquire about replacement parts, please contact Eagle Peak through the website.



A	Central pole	K	Large canopy top
D	Ceiling assembly	M	Stake
E	Eave assembly	N	Guy rope
F	Leg assembly	O	Carry bag
J	Small canopy top	P	Mosquito netting

