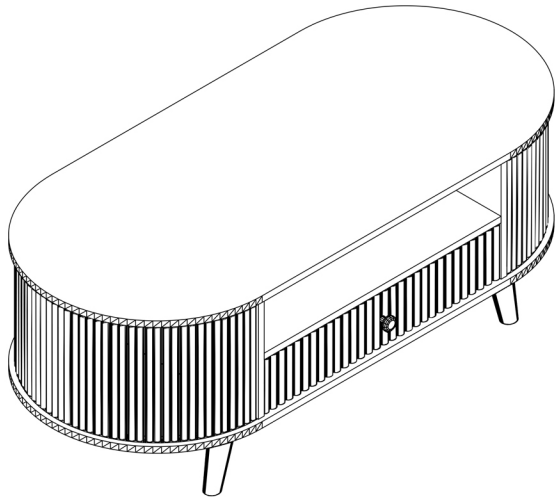
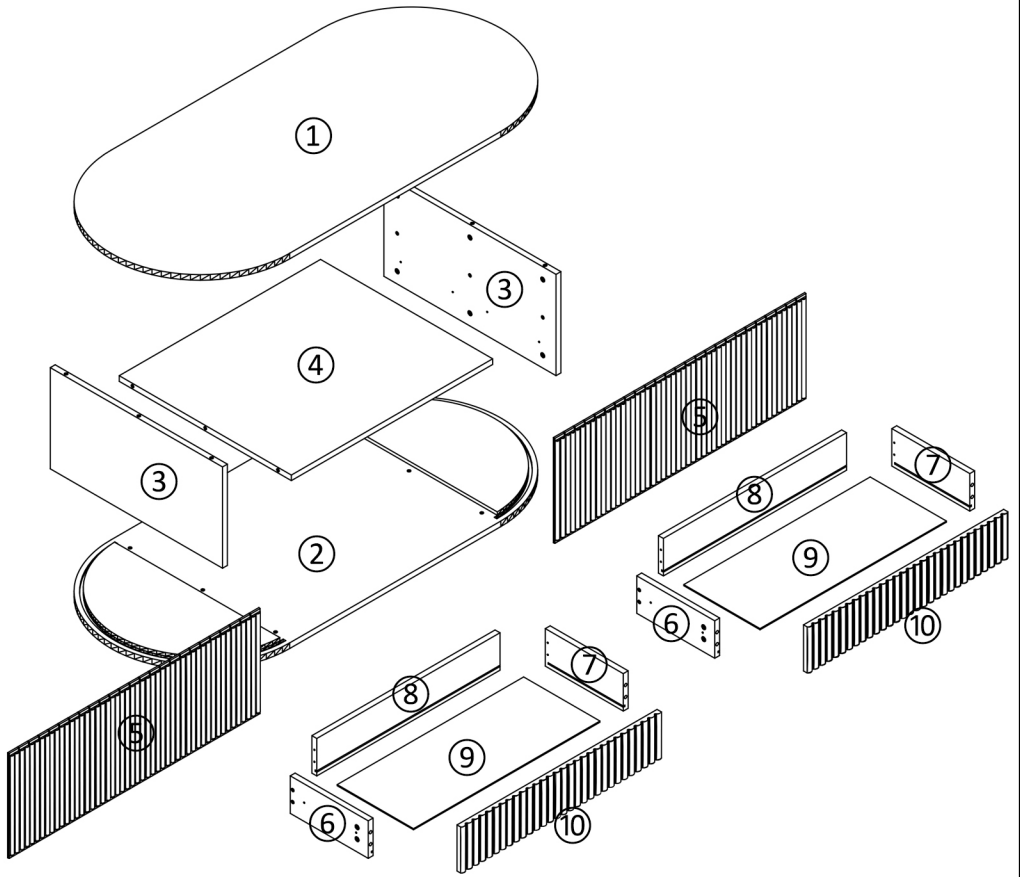














ASSEMBLY INSTRUCTION

- Read the assembly instructions carefully before beginning assembly.
- Ensure the safety of the glass during assembly.
- Do not over tighten the screws and bolts as this may damage the threads.
- Insert the screw into the hole as shown in the figure, follow the arrow in the picture, and then rotate 90° or 180° clockwise.
- Keep the small accessories in the accessory bag away from children.
- The remaining parts are spare parts.
- Kind tips: when installing the white backboard, install the white side inward.
- The operating instruction of RGB light is included in the package. Read it carefully when assembling .



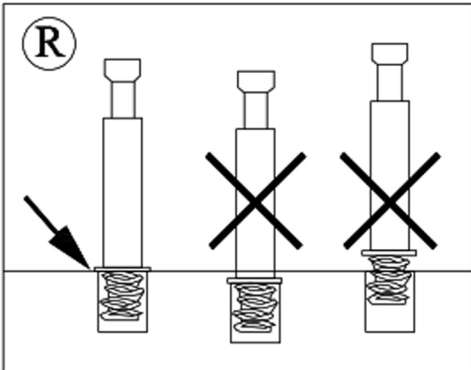
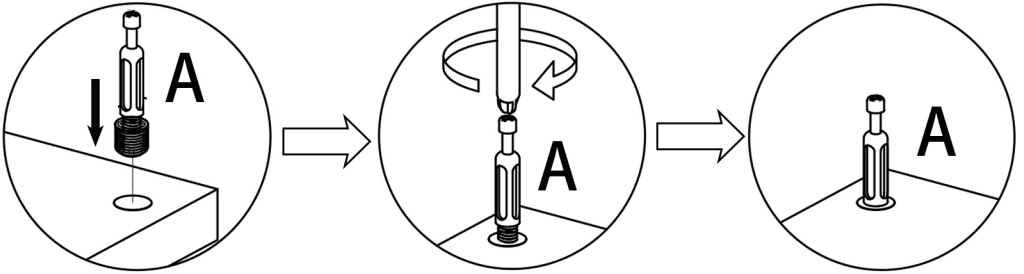


A  26pcs	B  26pcs	C  3.5*14 32pcs	C9  4*30 8pcs	F  2pcs	F1  2pcs	K  4pcs	AE  4pcs
AG  1pcs	AM  Decorative paper 14pcs	BA  1pcs	 LED				



Hardware installation demonstration

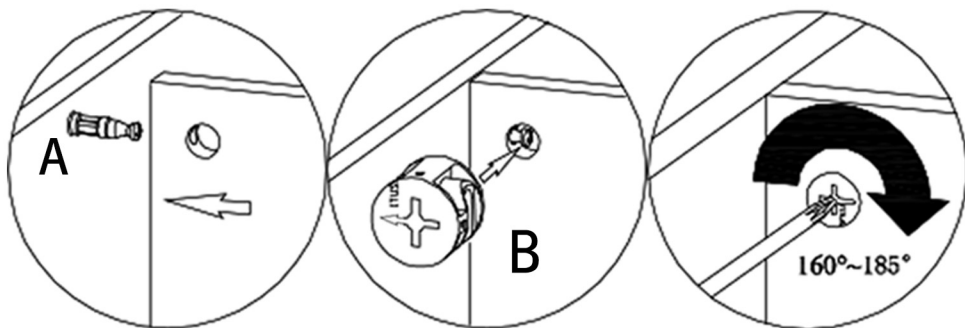
● Please make sure "A" hardware tightened and can't be pulled out





Hardware installation demonstration

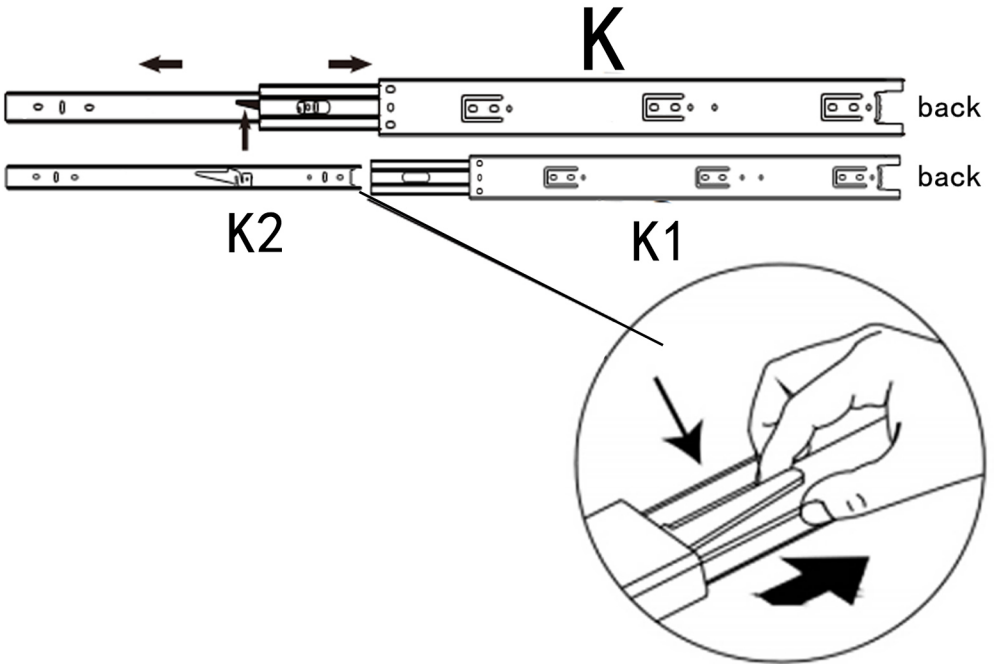
- When inserting cam ensure arrowhead on cam points toward the hole on the panel edge





Hardware installation demonstration

- Before installing the drawer rail, you need to separate the K1 and K2 first.



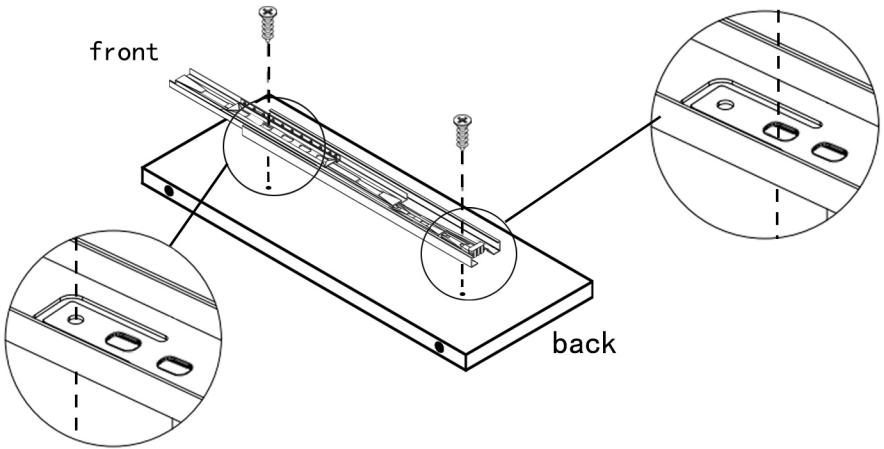
Warm Reminder: Press it and split



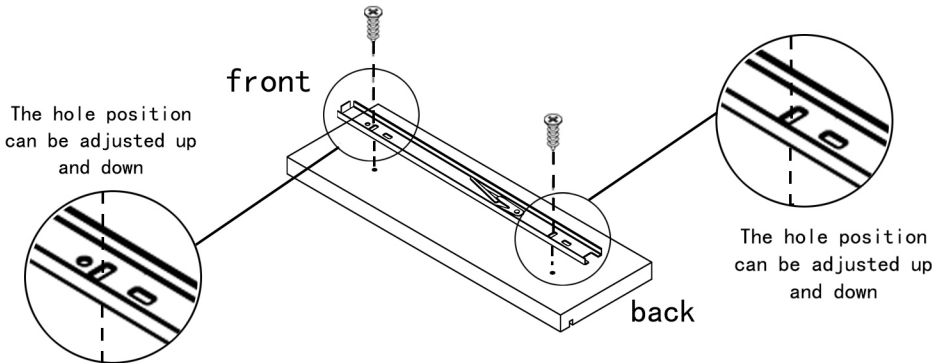
Hardware installation demonstration



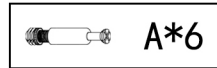
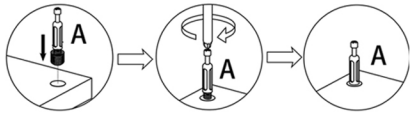
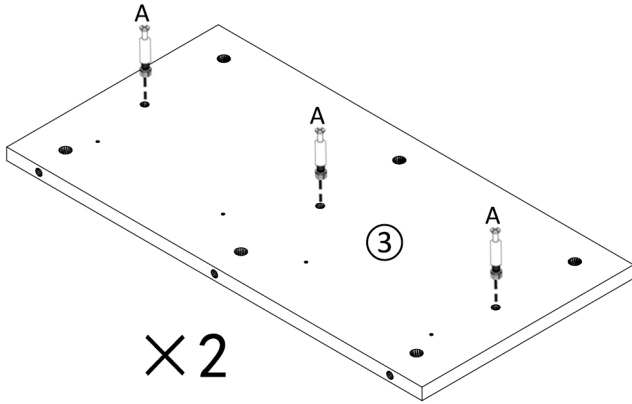
The first screw hole should corresponded with the board location hole



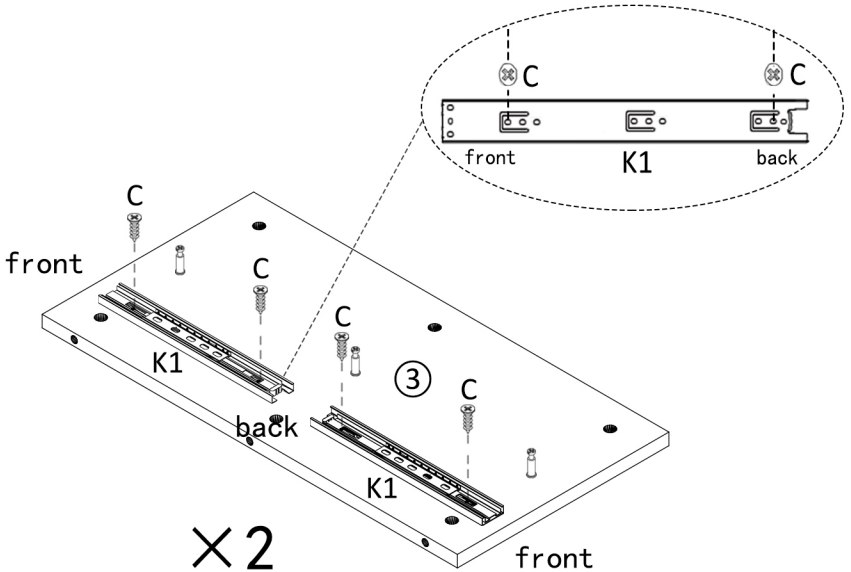
The first screw hole should corresponded with the board location hole



STEP 1

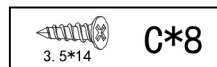


STEP 2

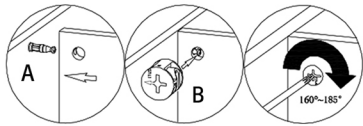
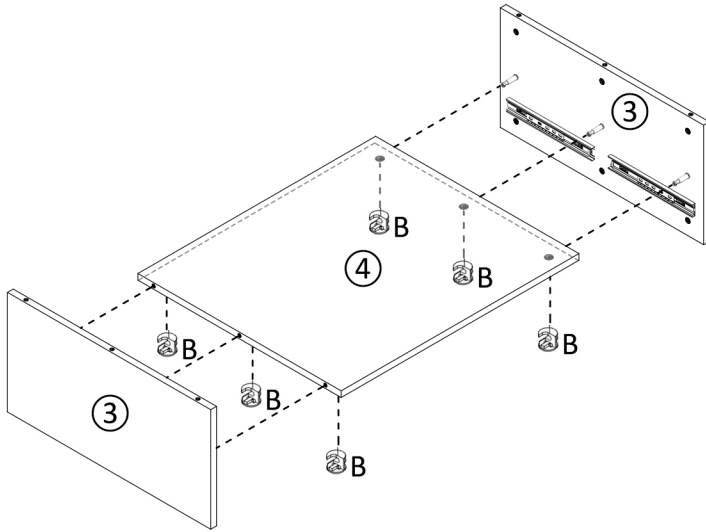


1. Check the slide rail exploded view for disassembly.

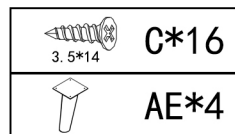
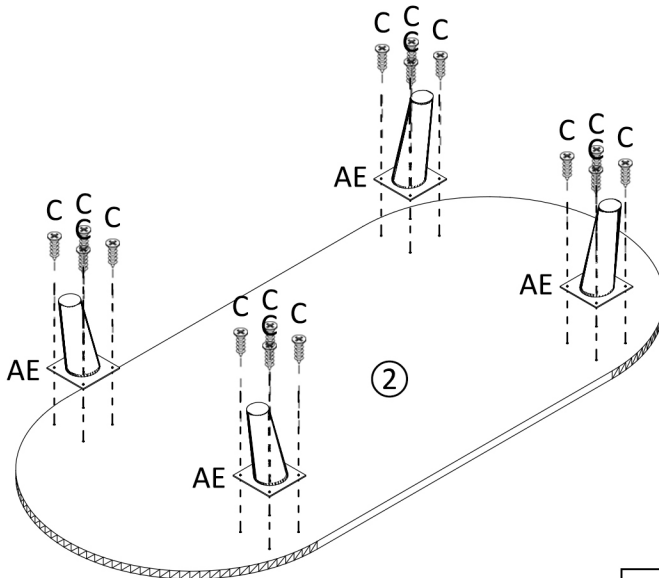
2. Align mounting holes using the sectional view.



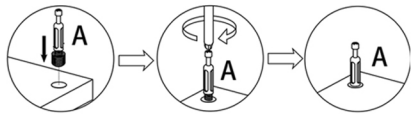
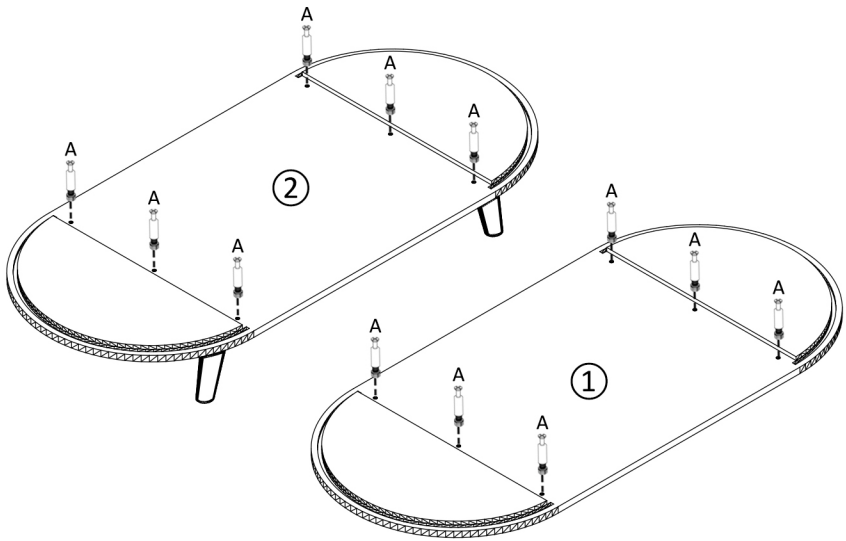
STEP 3



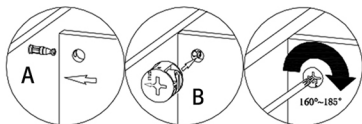
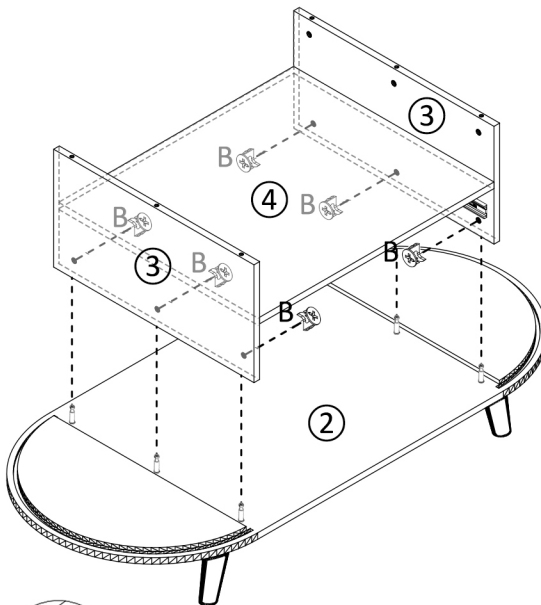
STEP 4



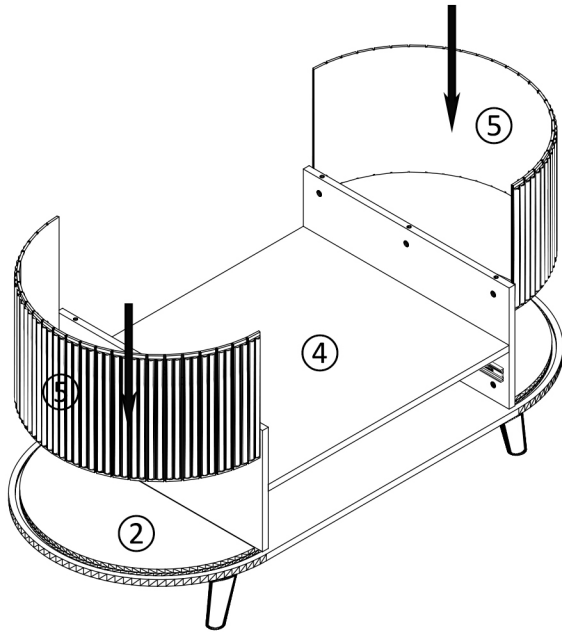
STEP 5



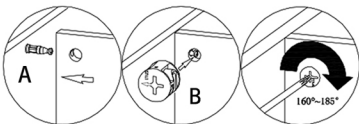
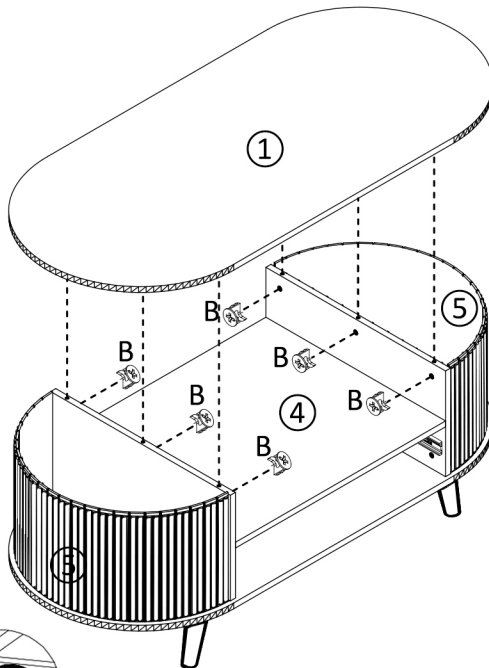
STEP 6



STEP 7

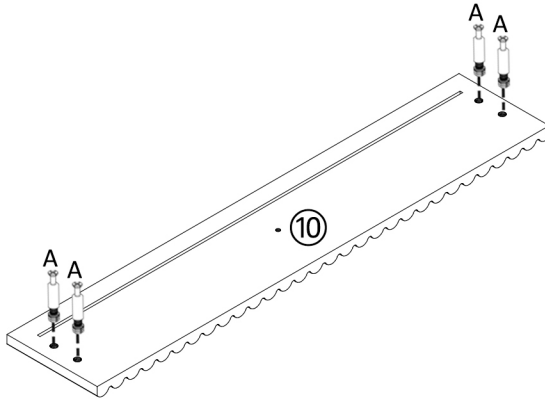


STEP 8

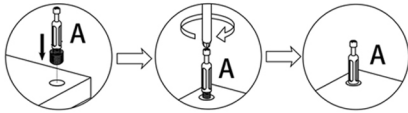


B*6

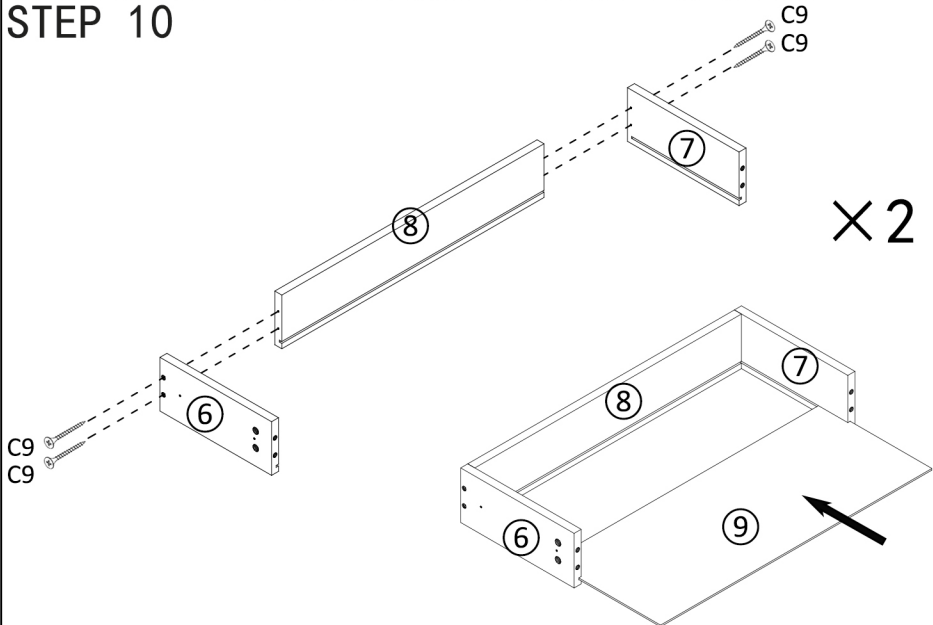
STEP 9



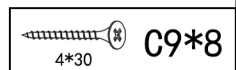
× 2



STEP 10

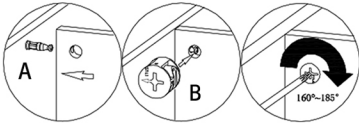
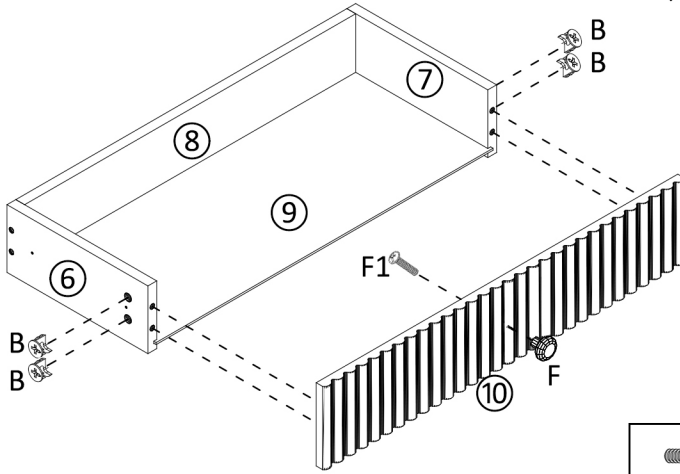


× 2



STEP 11

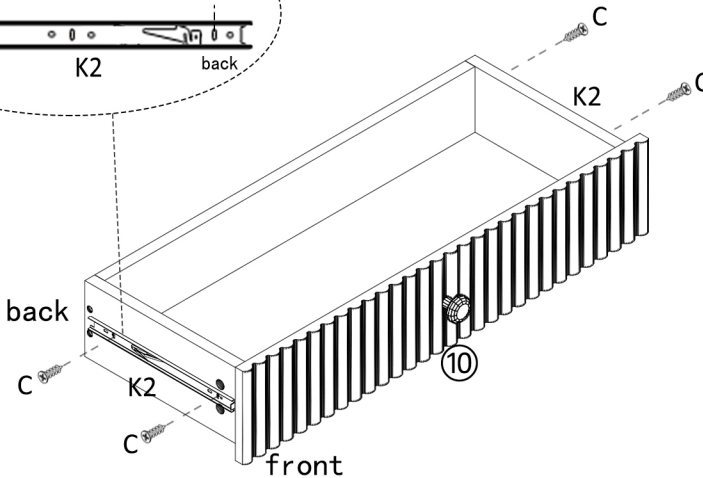
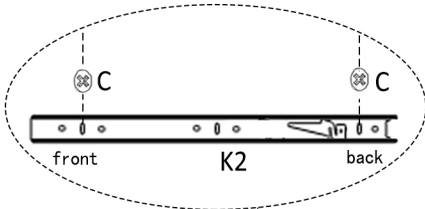
×2



	F1*2
	F*2
	B*8

STEP 12

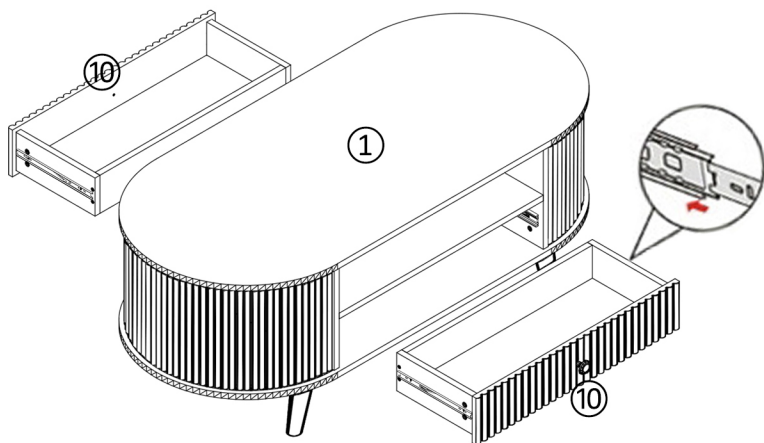
×2



	C*8
	K2*4

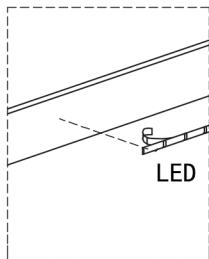
STEP 13

Note: When assembling the inner slide rail, it is necessary to place the inner slide rail on the steel ball component first, and push the inner rail parallel to the outer rail together. Direct violence will lead to the falling off or deformation of the rail steel ball.

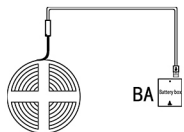


STEP 14

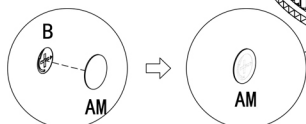
Please peel off the protective film from the surface of the golden edge banding



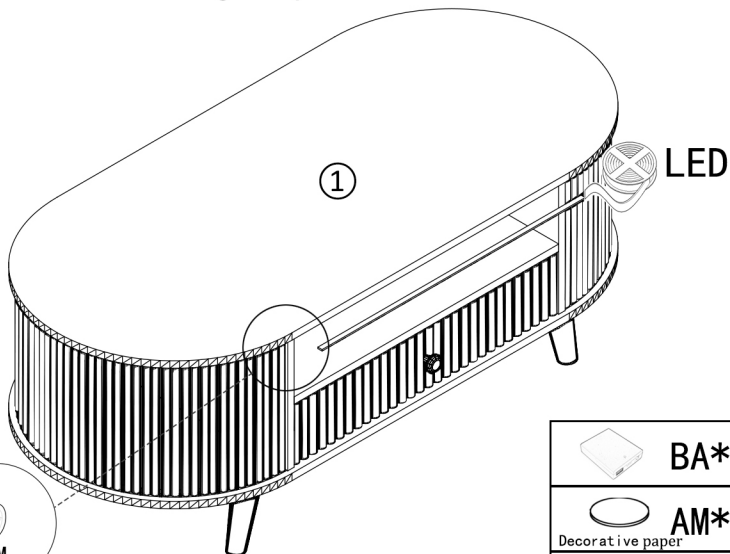
Please stick the LED light strip on the back of Board 1.






Requires batteries to be installed for use



Please stick the decorative paper on the hole



	BA*1
	AM*14
	LED*1