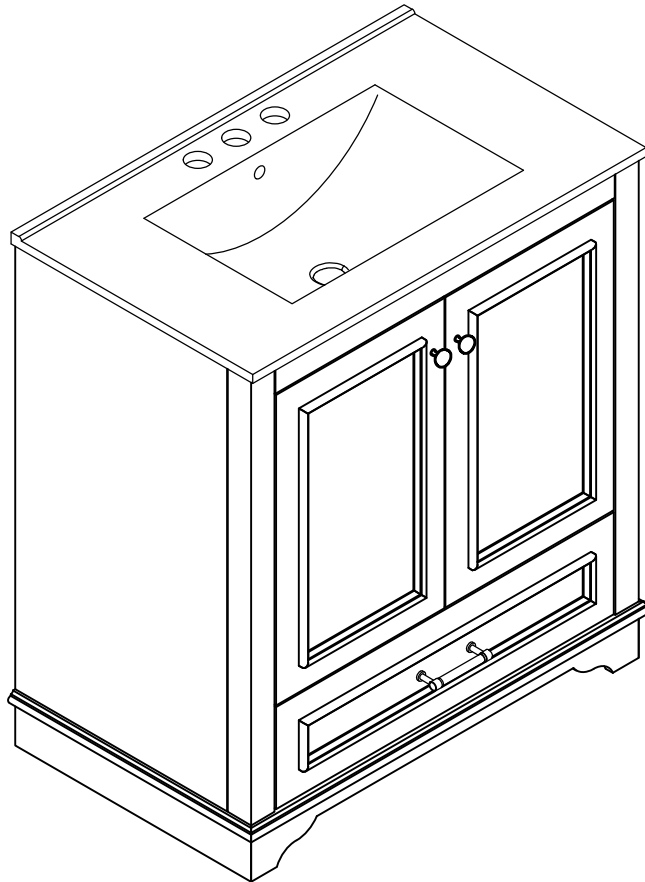


ASSEMBLY INSTRUCTIONS

30" BATHROOM VANITY

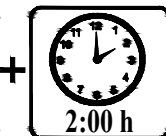
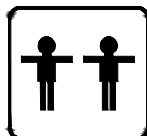
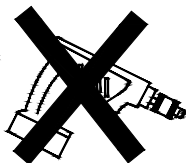


Thank you for purchasing this quality product. Be sure to check all pack material carefully for small parts which may have come loose inside the carton during shipment. Separate, identify and count all parts and hardware.

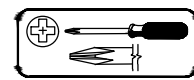
Compare with the parts list to be sure all parts are present.

"DO NOT TIGHTEN SCREWS UNTIL COMPLETELY ASSEMBLED"

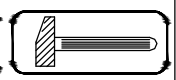
***Use of power tool to assemble this product will invalidate any claim and damage this product making unsafe !!!**
***Please assemble on a clean soft surface to avoid damage.**



Tools Required



(Not included)



(Not included)

IMPORTANT:

PLEASE READ INSTRUCTION BEFORE STARTING THE ASSEMBLY

PLEASE DO NOT RETURN TO STORE



**Please do not return this product to the retailer!!
We are able to assist you in ANY way**

If you find that you have any trouble with assembly or missing or damaged parts please contact the seller.

1. Note: This is not a clothing storage cabinet and it is not recommended to use it as a clothing storage cabinet.
2. All cabinets come with TRD, stainless steel or our "L-Bracket "when shipped.

Before Installation

Important – Please read these instructions fully before starting assembly

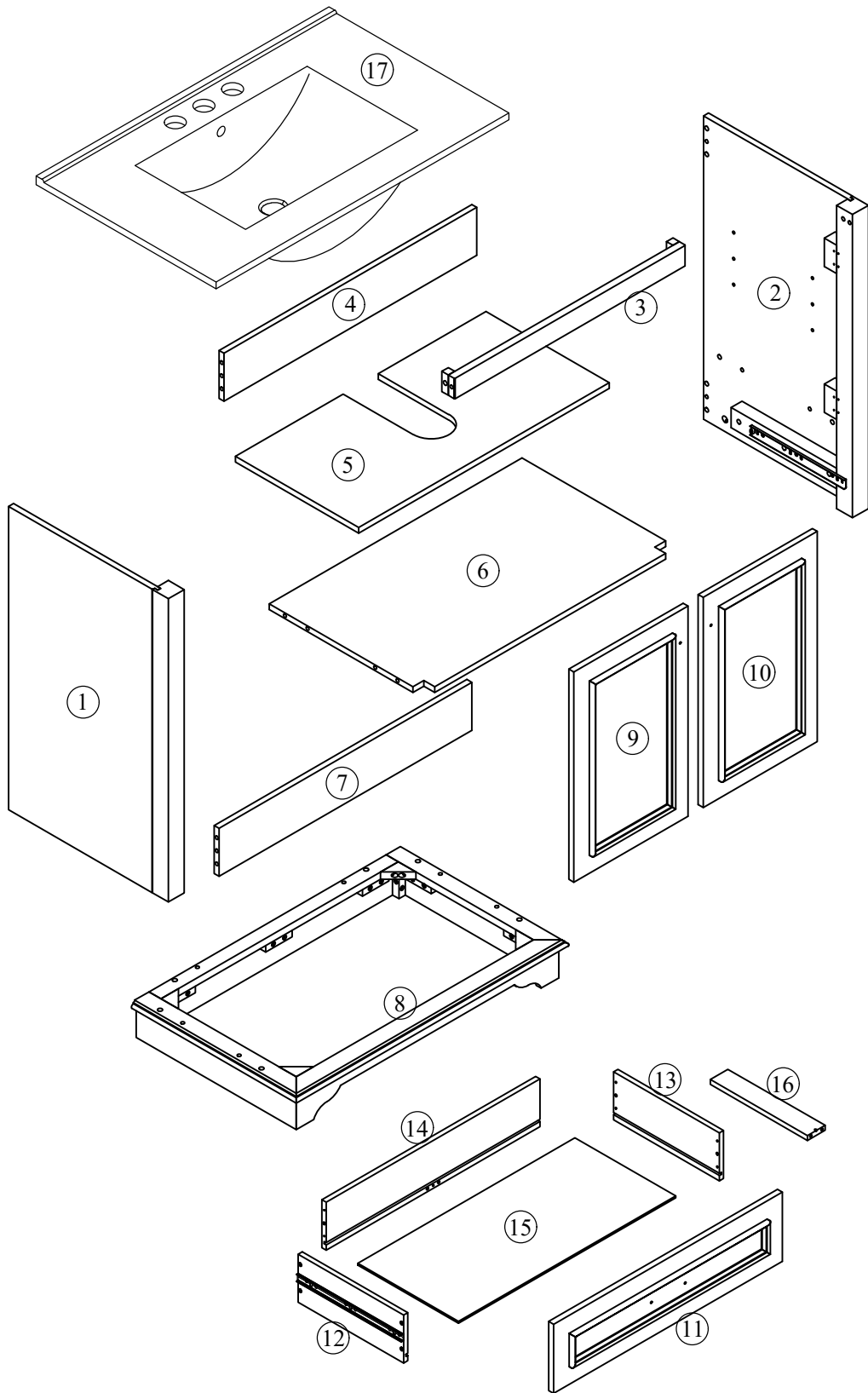
Thank you for purchasing this quality product. Be sure to check all packing materials carefully for small parts, which may have come loose inside the carton during shipment. Identify and count all items according to the PARTS LIST and/or HARDWARE LIST shown below. Check you have all the components and tools listed on the following pages.

- We recommend that you assemble this product with the assistance of another person; this will make the assembly easier, and will help eliminate damage to the product or injury to persons during assembly.
- Please do not over tighten screws or bolts until the assembly is completed.
- Keep children and animal away from the work area, small parts could choke if swallowed.
- Please put all parts on a non-abrasive floor before assembly, and follow the assembly steps to assemble your newly purchased product correctly and efficiently.

Cam Lock Assembly Instructions


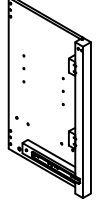
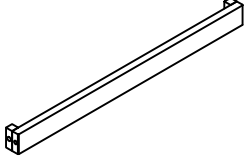
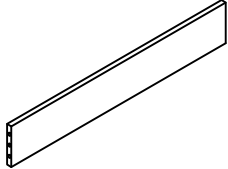
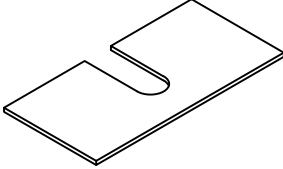
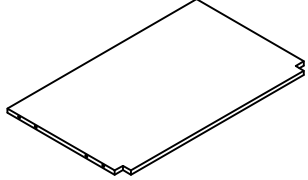
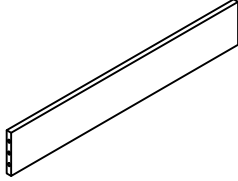
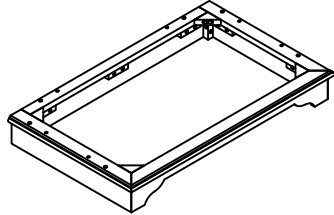
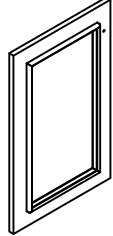
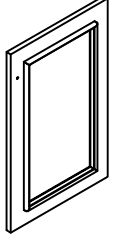
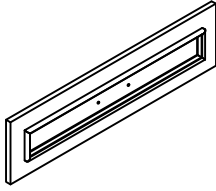
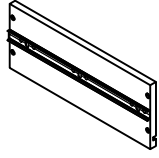
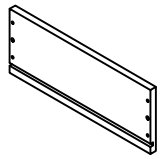
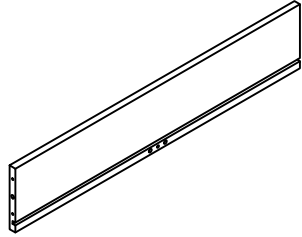
	<p>Diagram A</p>	<p>Insert Cam Bolt into hole as shown in diagram A.</p>
	<p>Diagram B</p>	<p>Make sure not to insert the Cam Bolt: Too deep as shown in figure B as this will cause the Cam Lock to be misaligned and unable to interlock properly.</p>
	<p>Diagram C</p>	<p>Also avoid inserting the Cam Bolt too close to the surface of the hole as shown in figure C, as this will cause the Cam Lock to be too loose, and not interlock properly.</p>
		<p>Connect the panels together.</p>
	<p>ARROW SIGN</p>	<p>Insert the Cam Lock so the side opening fits over the head of the Cam Bolt.</p>
		<p>To tighten the Cam Lock, turn it clockwise on half a turn with a flat screwdriver. <i>*Do not use an automatic screwdriver as it may bend or break if too much power is imposed.</i></p>

Detail View - CABINET



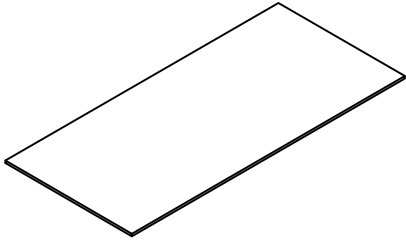
Identifying the Hardware - Identify the hardware using the illustrations below.

Part List

<p>1</p>  <p>Side Panel (L) - 1pc</p>	<p>2</p>  <p>Side Panel (R) - 1pc</p>
<p>3</p>  <p>Top Front Bar - 1pc</p>	<p>4</p>  <p>Top Rear Panel - 1pc</p>
<p>5</p>  <p>Adjustable Shelf - 1pc</p>	<p>6</p>  <p>Shelf Below - 1pc</p>
<p>7</p>  <p>Bottom Rear Panel - 1pc</p>	<p>8</p>  <p>Bottom Frame - 1pc</p>
<p>9</p>  <p>Cabinet Door (L) - 1pc</p>	<p>10</p>  <p>Cabinet Door (R) - 1pc</p>
<p>11</p>  <p>Drawer Face - 1pc</p>	<p>12</p>  <p>Drawer Side Panel (L)-1pc</p>
<p>13</p>  <p>Drawer Side Panel (R)-1pc</p>	<p>14</p>  <p>Drawer Back Panel -1pc</p>

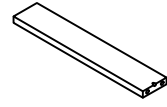
Part List

15



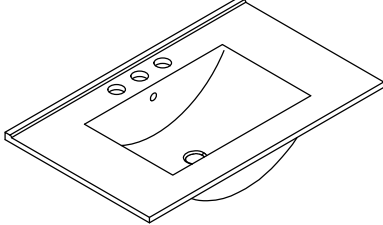
Drawer Bottom Panel-1pc

16



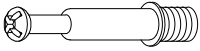

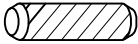
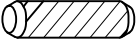



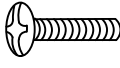
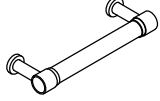

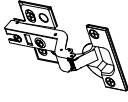







Drawer Bottom Support-1pc

17

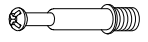


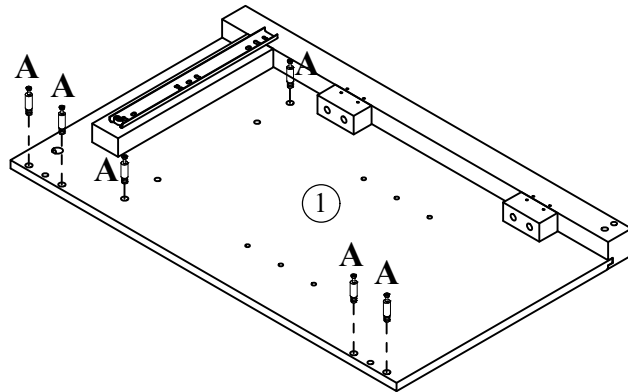
Sink - 1pc

Hardware List

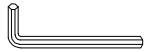



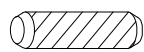

<p>A</p>  <p>ø6x35mm</p>	<p>B</p>  <p>ø14.5x12mm</p>	<p>C</p>  <p>ø8x30mm</p>
<p>Three in one bolts - 18pcs Three in one lock - 18pcs Wood dowel - 16pcs</p>		
<p>D</p>  <p>ø6x30mm</p>	<p>E</p>  <p>ø8xø4x32mm</p>	<p>F</p>  <p>ø8xø4x25mm</p>
<p>Wood dowel - 8pcs Round head screw - 9pcs Round head screw - 1pc</p>		
<p>G</p>  <p>Handle - 2pcs</p>	<p>H</p>  <p>ø5/32"x20mm</p>	<p>I</p>  <p>Handle (1pc)</p>
<p>Handle - 2pcs Handle screw - 2pcs Handle (1pc)</p>		
<p>J</p>  <p>ø5/32"x32mm</p>	<p>K</p>  <p>Damping hinge - 4pcs</p>	<p>L</p>  <p>ø7xø3.5x12mm</p>
<p>Handle screw - 2pcs Damping hinge - 4pcs Flat head screw - 24pcs</p>		
<p>M</p>  <p>Laminate pad - 4pcs</p>	<p>N</p>  <p>ø13x1/4"x30mm</p>	<p>O</p>  <p>ø1/4"x16x1mm</p>
<p>Laminate pad - 4pcs Hex-Head bolts(2pcs) Washer(2pcs)</p>		
<p>P</p>  <p>ø1/4"x10x1.2mm</p>	<p>Q</p>  <p>4mm</p>	<p>R</p>  <p>Anti fall hardware (2sets)</p>
<p>Lock Washer - 2pcs Allen key - 1pc Anti fall hardware (2sets)</p>		

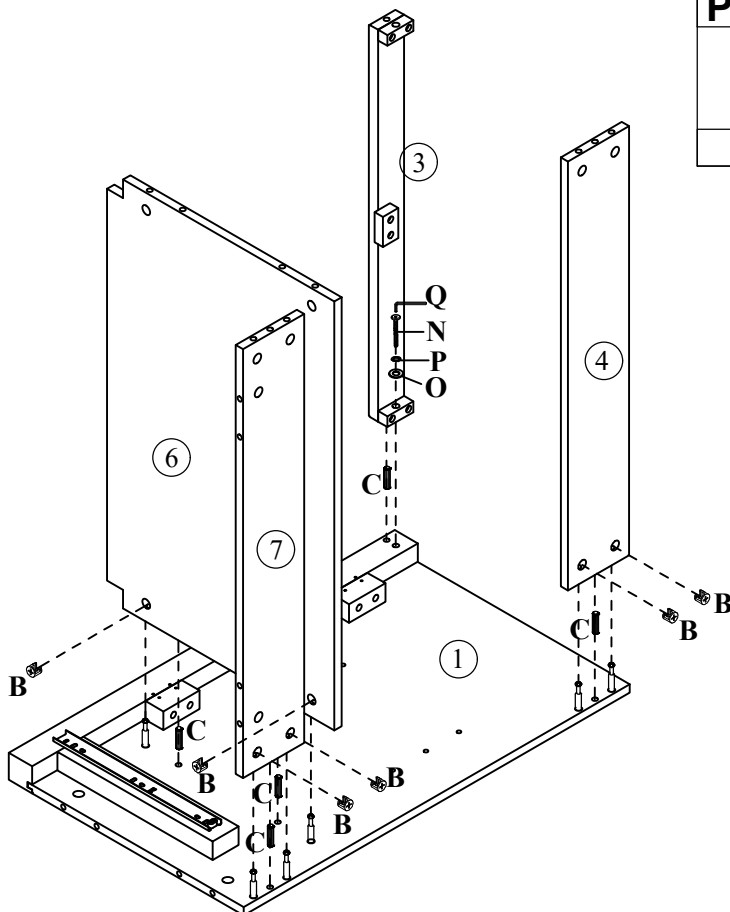
STEP: 1

A	
6PCS	

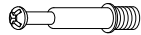


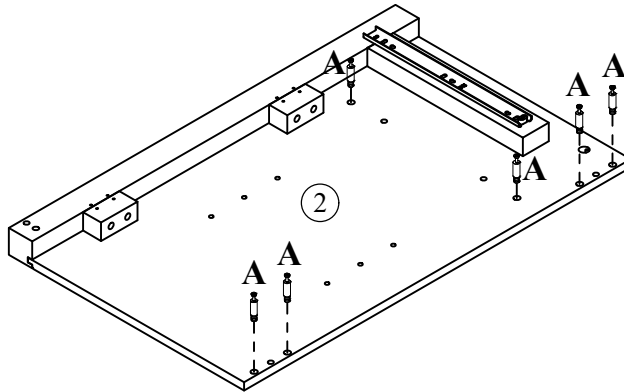
STEP: 2

Q	N	O
		
1PC	1PC	1PC
P	C	B
		
1PC	5PCS	6PCS





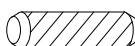



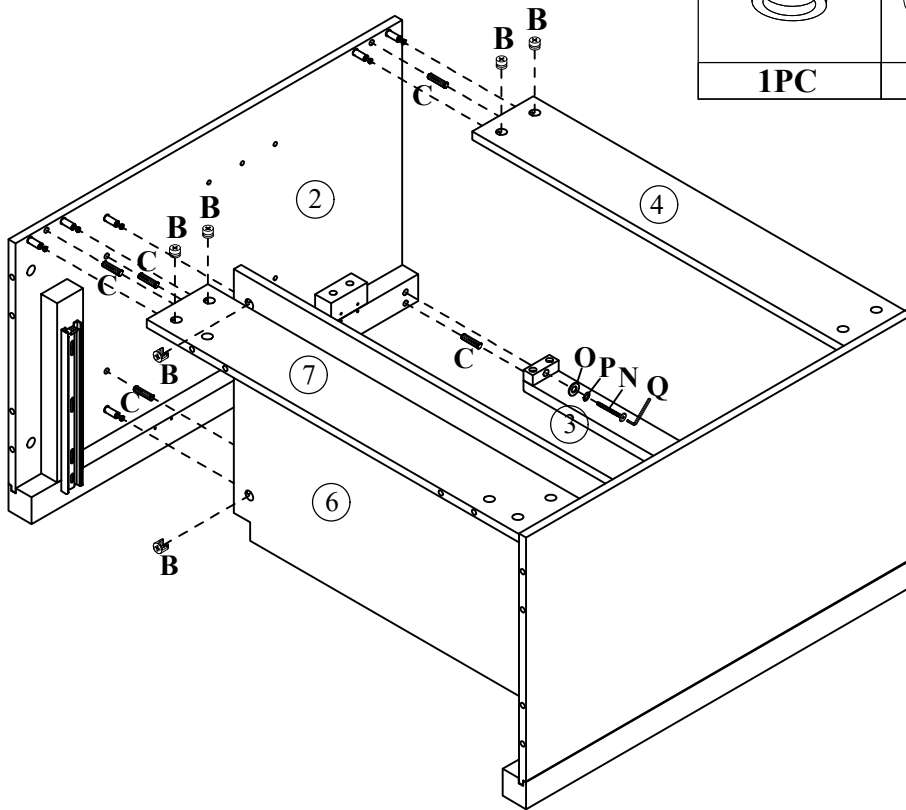
STEP: 3

A

6PCS

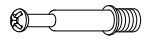


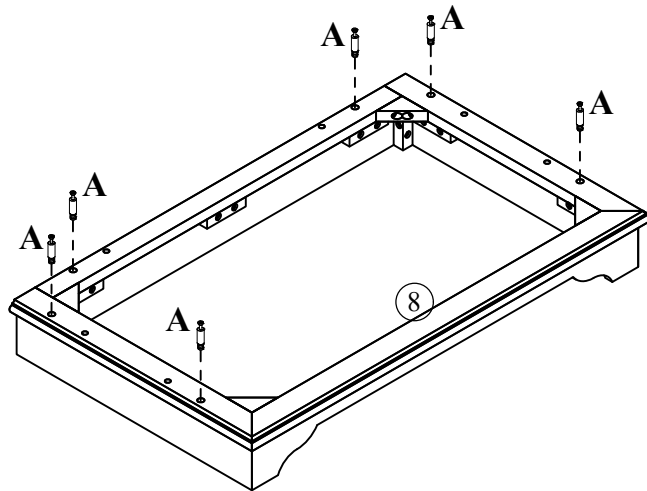
STEP: 4

Q	N	O
		
1PC	1PC	1PC
P	C	B
		
1PC	5PCS	6PCS





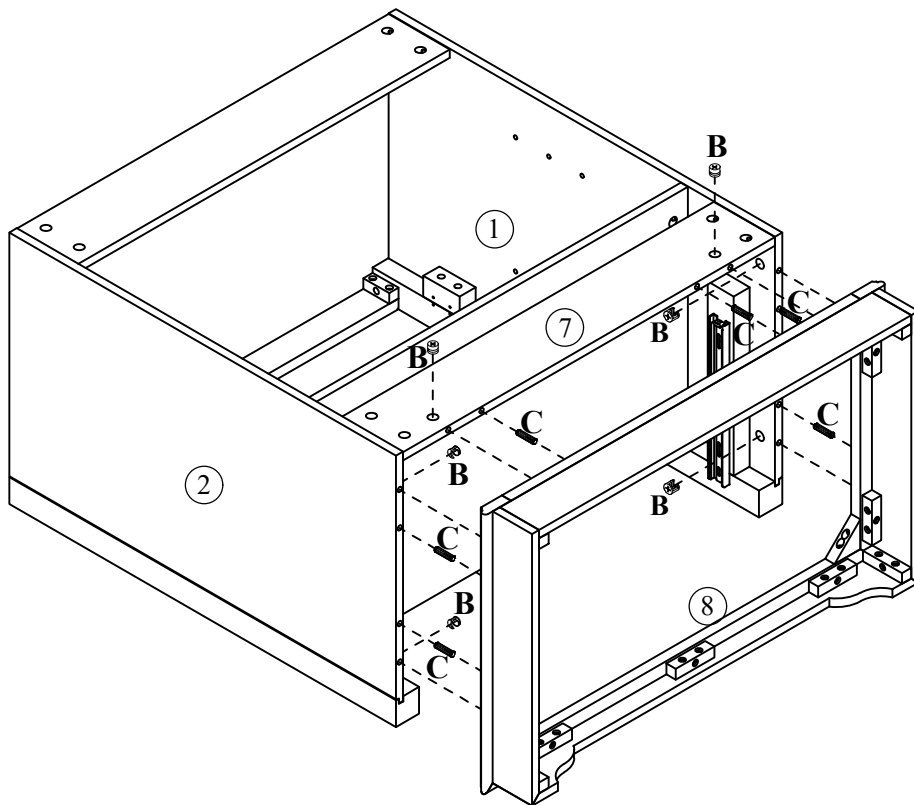
STEP: 5

A

6PCS

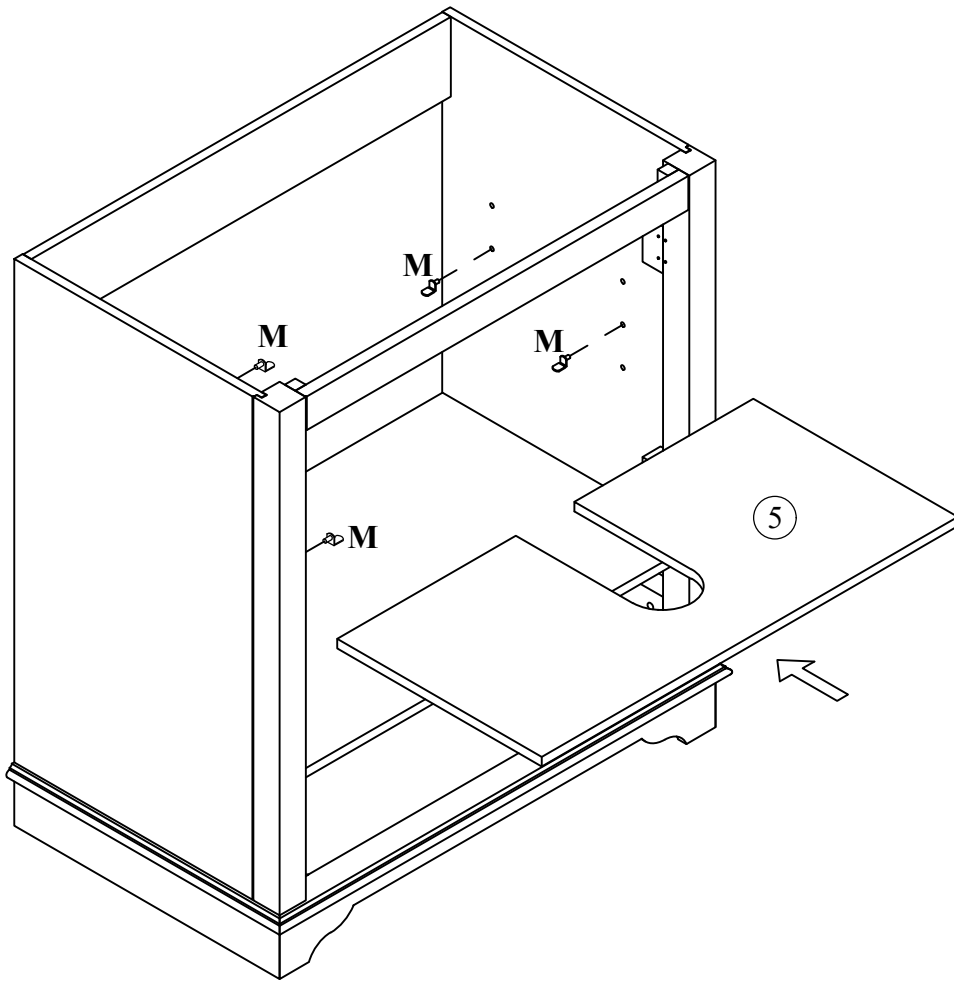


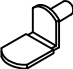
STEP: 6

C	B
	
6PCS	6PCS

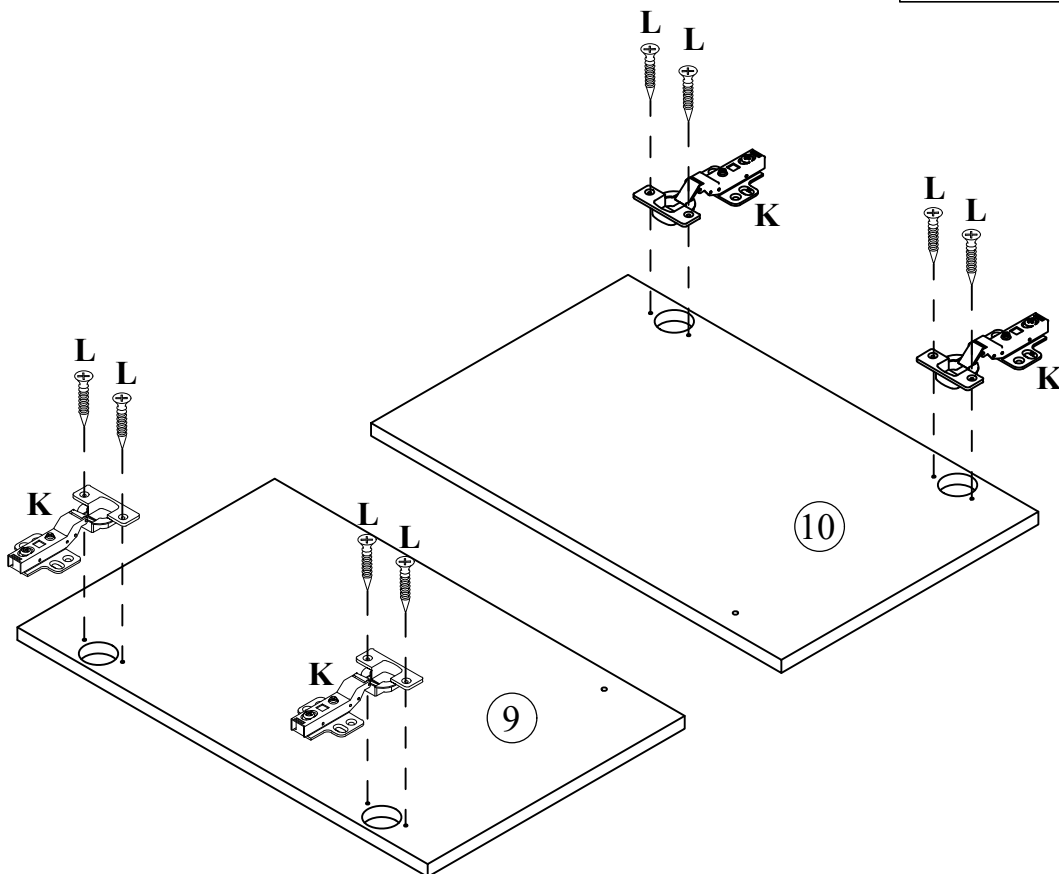


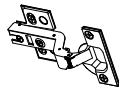

STEP: 7



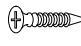
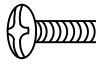

M	
4PCS	

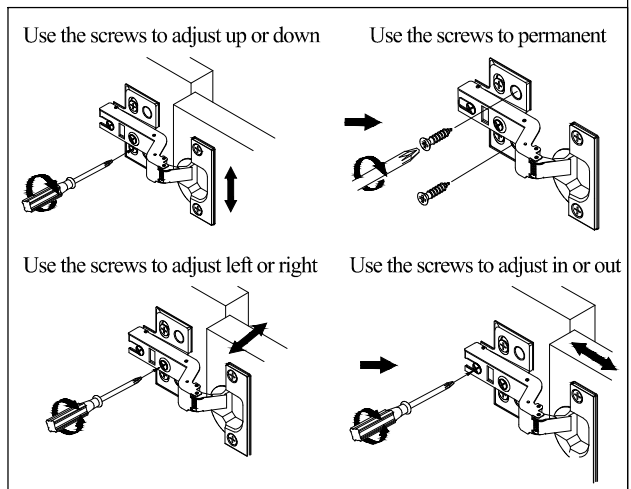
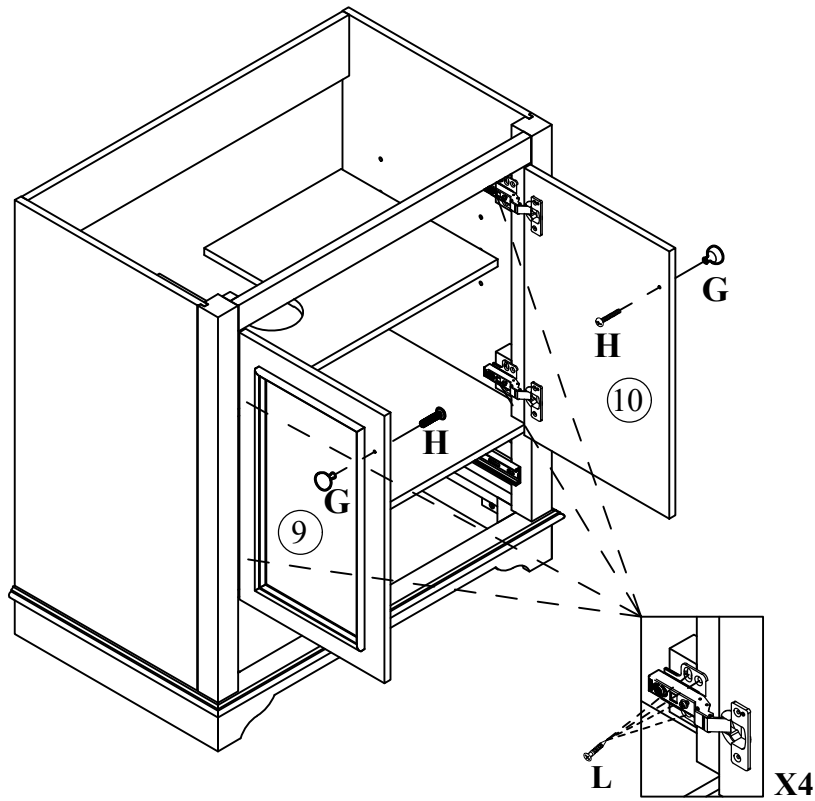
STEP: 8



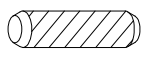
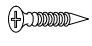

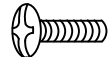
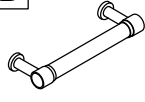
K		L	
4PCS		8PCS	

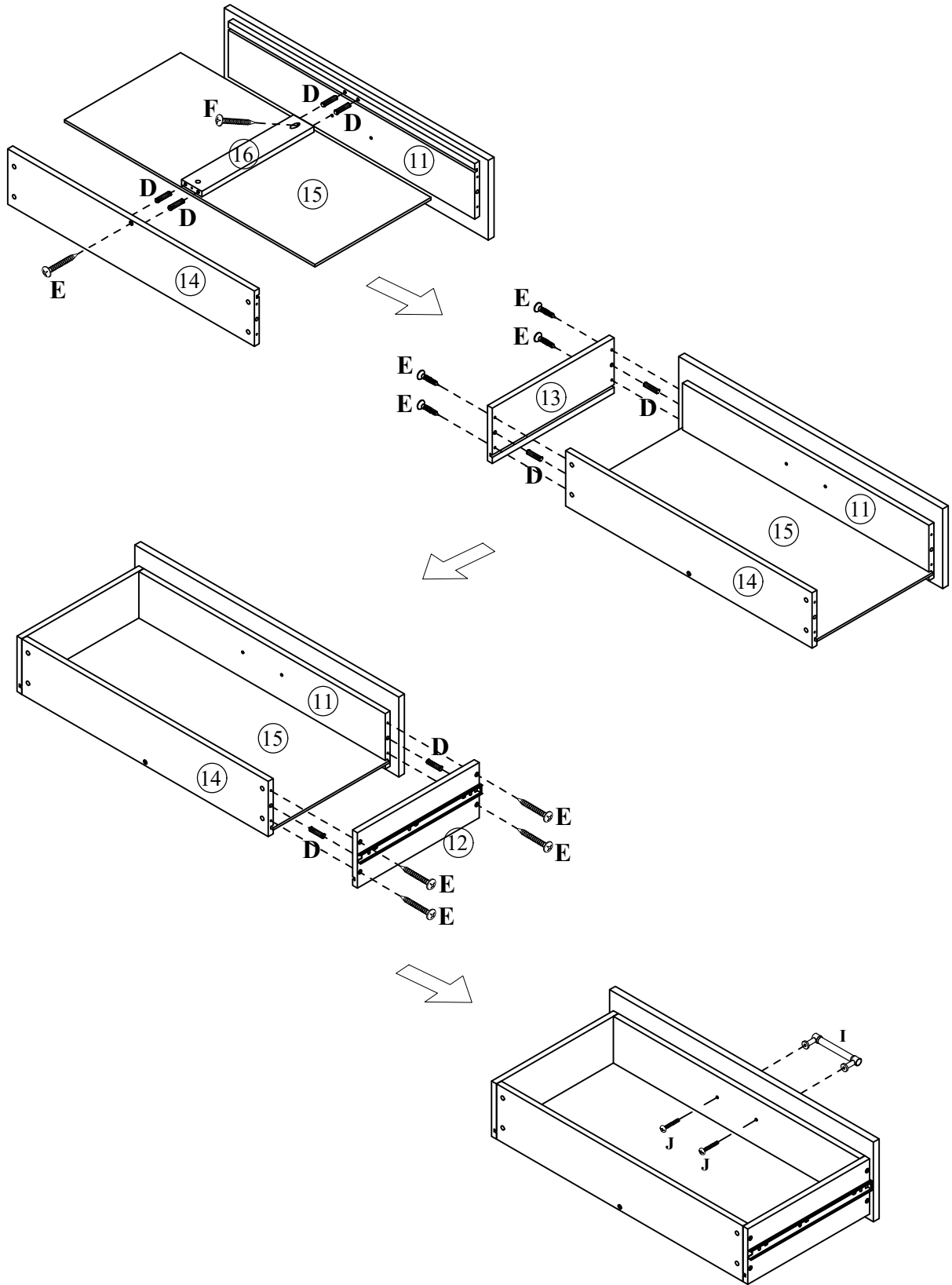
STEP: 9

L	H	G
		
16PCS	2PCS	2PCS

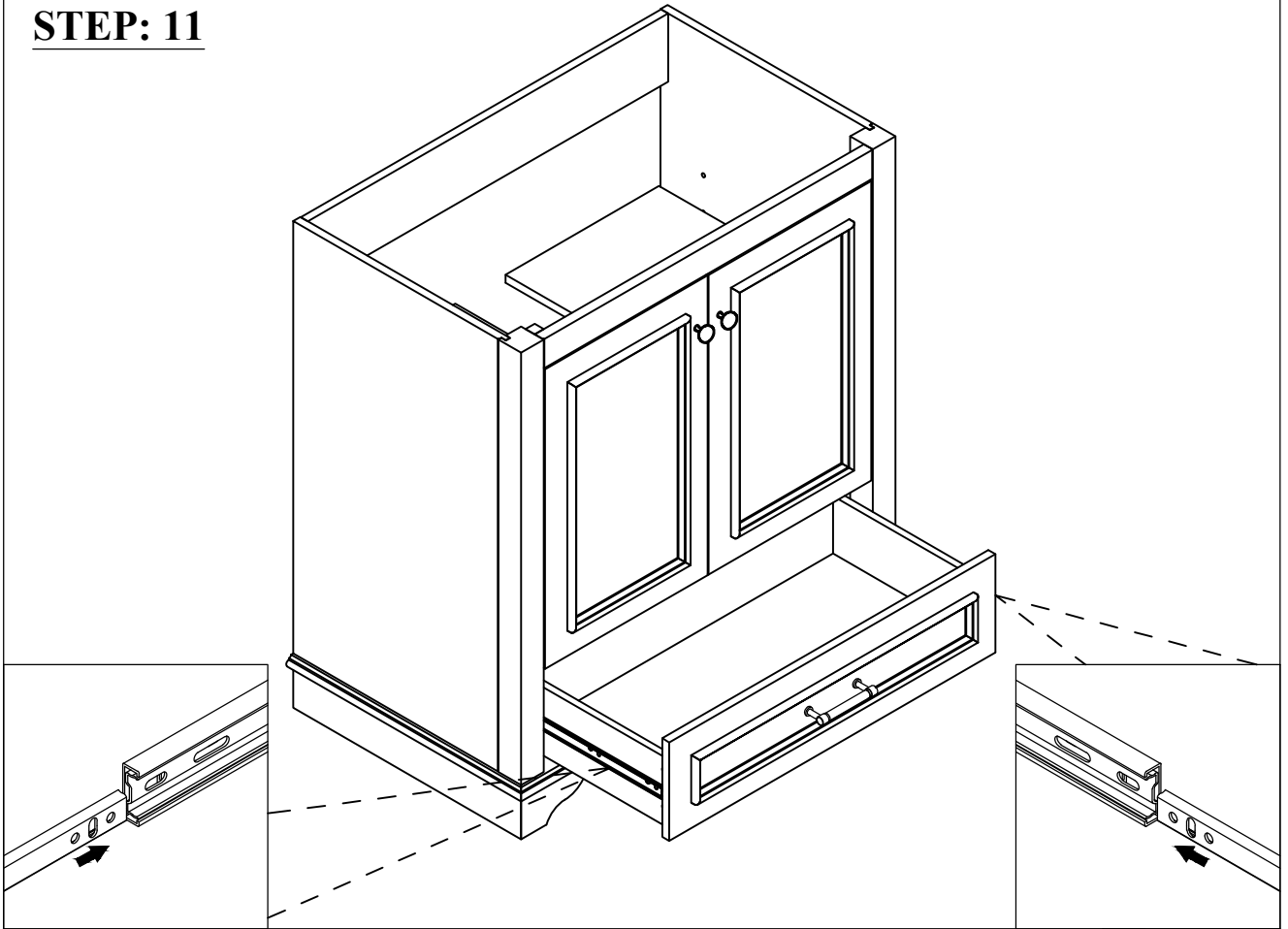


STEP: 10

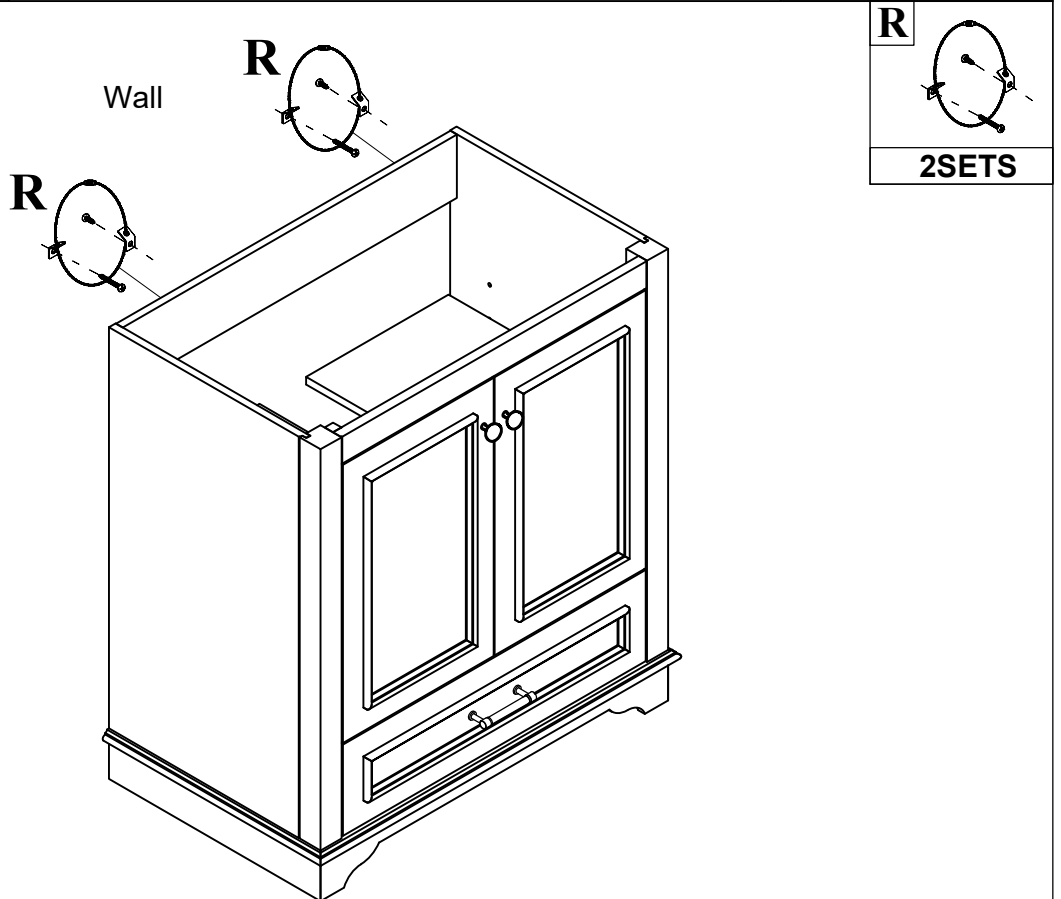
D 	E 	F 	J 	I 
8PCS	9PCS	1PC	2PCS	1PC



STEP: 11

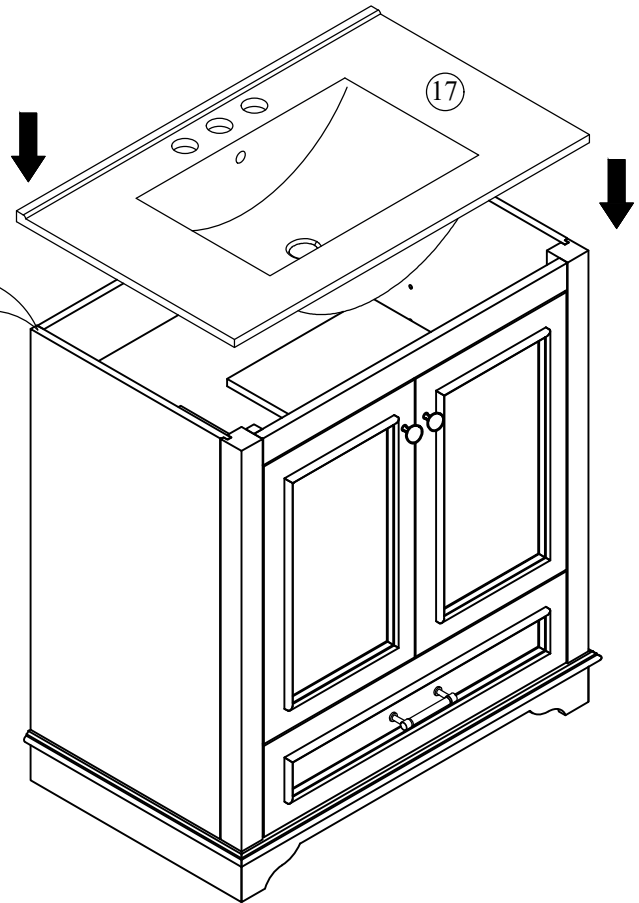
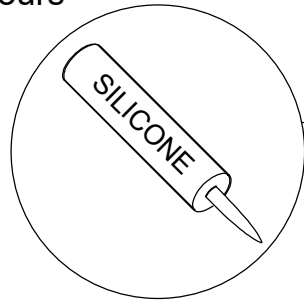


STEP: 12



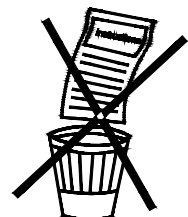
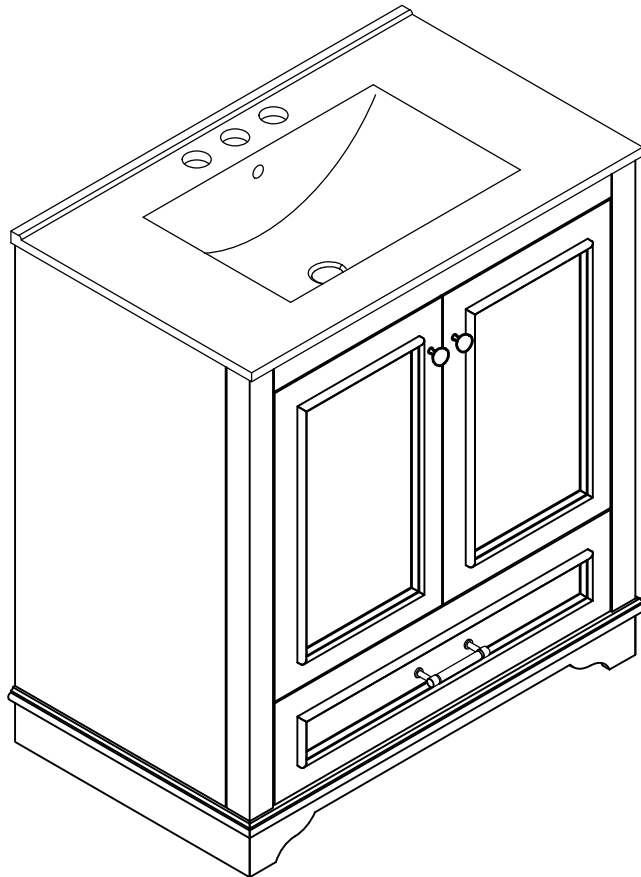
STEP: 13

Install the sink on the cabinet with glue.
Let stand for 24 hours



*Silicone glue is not included in the package to comply with safety regulations in certain shipping conditions.

STEP: 14

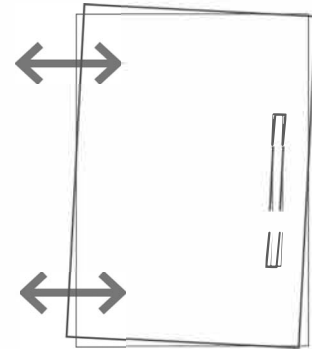


HINGE ADJUSTMENTS



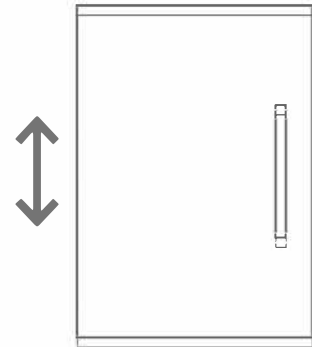
1 Sideways / Tilt adjustment

Turn the screw
clockwise to move the door further away from
the side of the cabinet
anticlockwise to move the door closer to the
side of the cabinet



2 4 Height adjustment

While supporting the weight of the door, turn the
screws
clockwise to move the door up
anticlockwise to move the door down



3 Forward and back adjustment

If the gap between the back of the door and the
cabinet is too small, and the door may not close
fully. Turn the screw
clockwise to decrease the gap between the
door and the cabinet
anticlockwise to increase the gap between the
door and the cabinet

