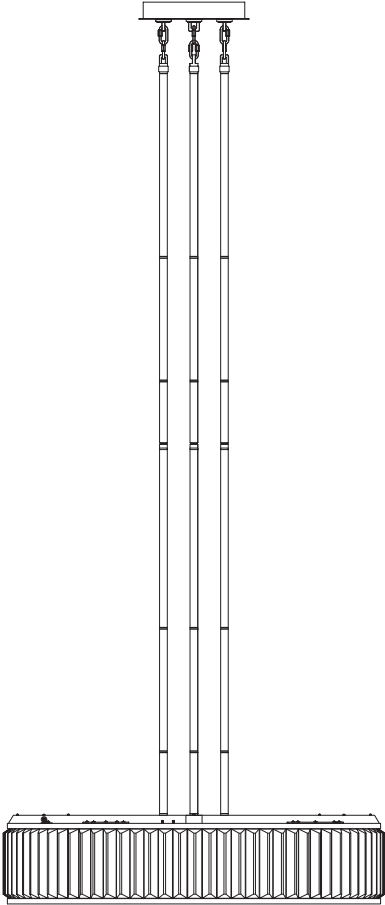


INSTALLATION MANUAL CHANDELIER



Safety Rules

WARNING: BE SURE THE ELECTRICITY TO THE WIRES YOU ARE WORKING ON IS SHUT OFF; EITHER THE FUSE IS REMOVED OR THE CIRCUIT BREAKER IS TURNED OFF. TURNING THE POWER OFF USING THE LIGHT SWITCH IS NOT SUFFICIENT TO PREVENT ELECTRICAL SHOCK.

NOTE: The important safeguards and instructions appearing in this manual are not meant to cover all possible conditions or situations that may occur. It must be understood that common sense, caution, and care, are factors which cannot be built into any product. These factors must be supplied by the person(s) installing this unit.

READ & SAVE THESE INSTRUCTIONS

CAUTION: Before assembling the lighting fixture, refer to the section titled Wiring Connections. If you feel you do not have enough electrical wiring experience, either refer to a do-it-yourself wiring handbook or have your lighting fixture installed by a qualified, licensed electrician.

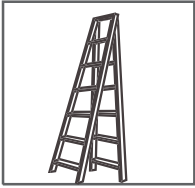
INSTALLATION & OPERATION INSTRUCTIONS GENERAL

Before starting the installation, disconnect the power by turning off the circuit breaker or by removing the appropriate fuse at the fuse box. Turning the power off using the light switch is not sufficient to prevent electrical shock.

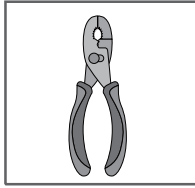
All electrical connections must be in accordance with local and National Electrical Code (NEC) standards. If you are unfamiliar with proper electrical wiring connections, obtain the services of a qualified electrician.

Installation Preparation

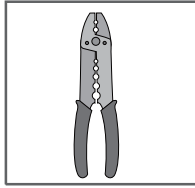
Tools You Need



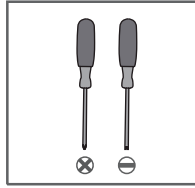
Ladder



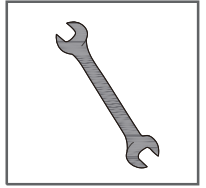
Pliers



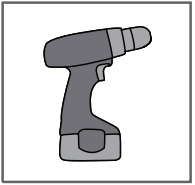
Wire Strippers



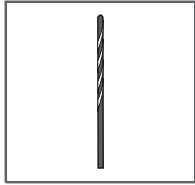
Screwdrivers



Wrench



Power Drill
(optional)

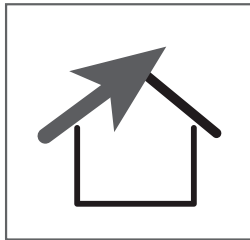


Drill Bit
(optional)

What to Expect with your Installation

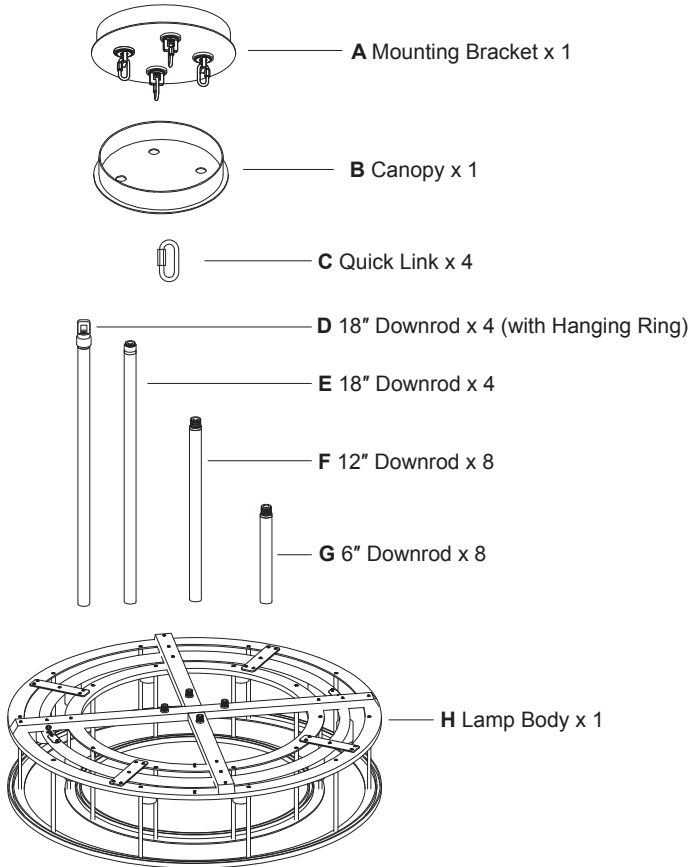


Check the box to see the weight of the light











Angled ceiling applicable

Packing List



Installation Kit

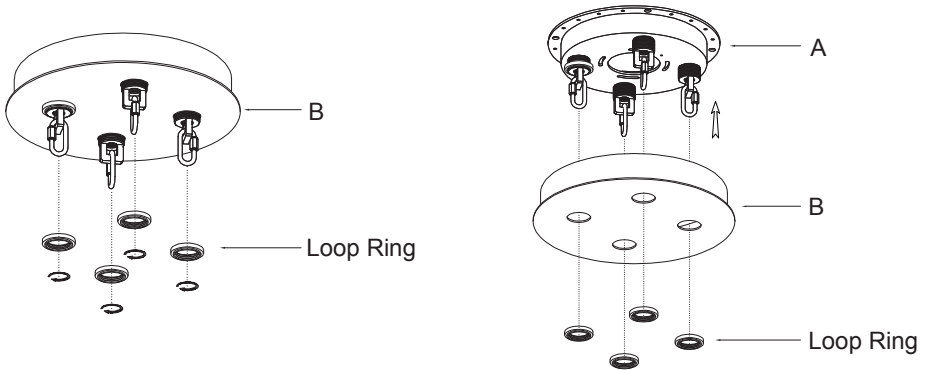
AA	2x	BB	3x	CC	16x	DD	4x
							
Outlet Box Screw		Wire Nut		Wood Screw		Anchor Bolt	
EE	129x	FF	2x	GG	1x	HH	1x
							
Crystal		Fixture Screw		Figure-8 Wire Clip		Gloves	

NOTE: The listed quantity is for installation, extra hardware may be included.

Installation Instructions

1. Remove the Mounting Bracket

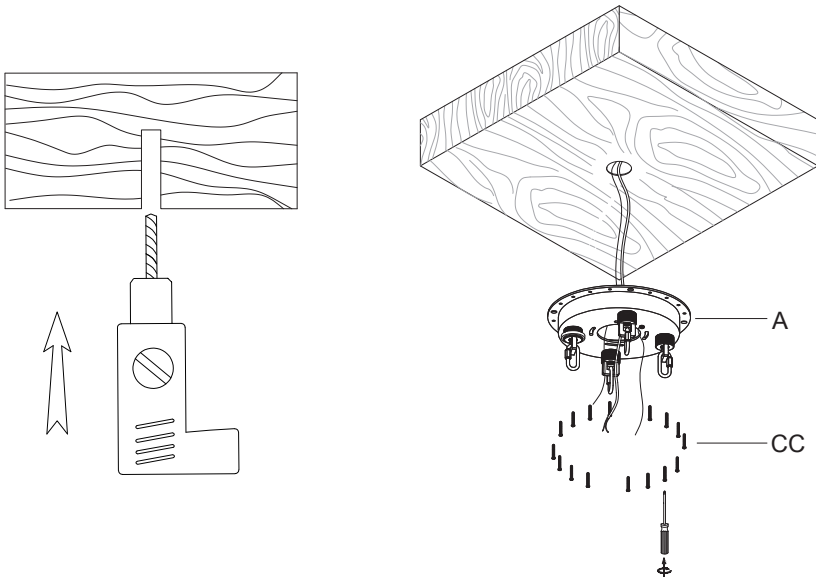
Loosen the loop ring from the canopy (B), and take out the mounting bracket (A).



2. Mount the Bracket (2 Options)

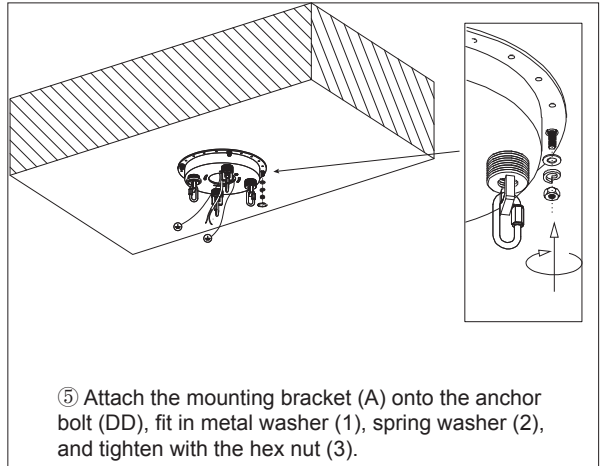
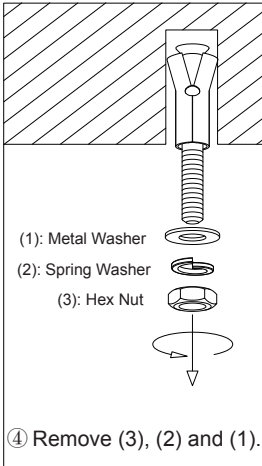
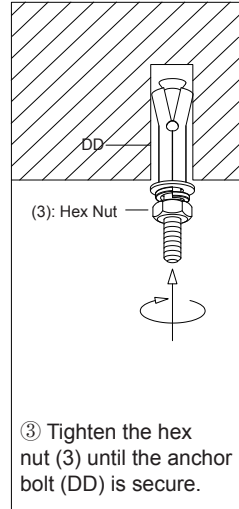
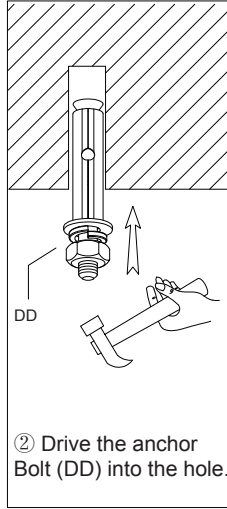
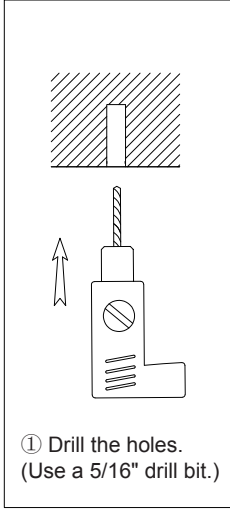
Option 1. (For Solid Wood Structure)

Mark and drill the screw holes (Use a 1/8" drill bit) on the solid wood structure. Screw the 16 pieces of wood screw (CC) into the ceiling one by one.



Option 2. (For Concrete Structure)

Mount the mounting bracket to the concrete structure with anchor bolt (DD).



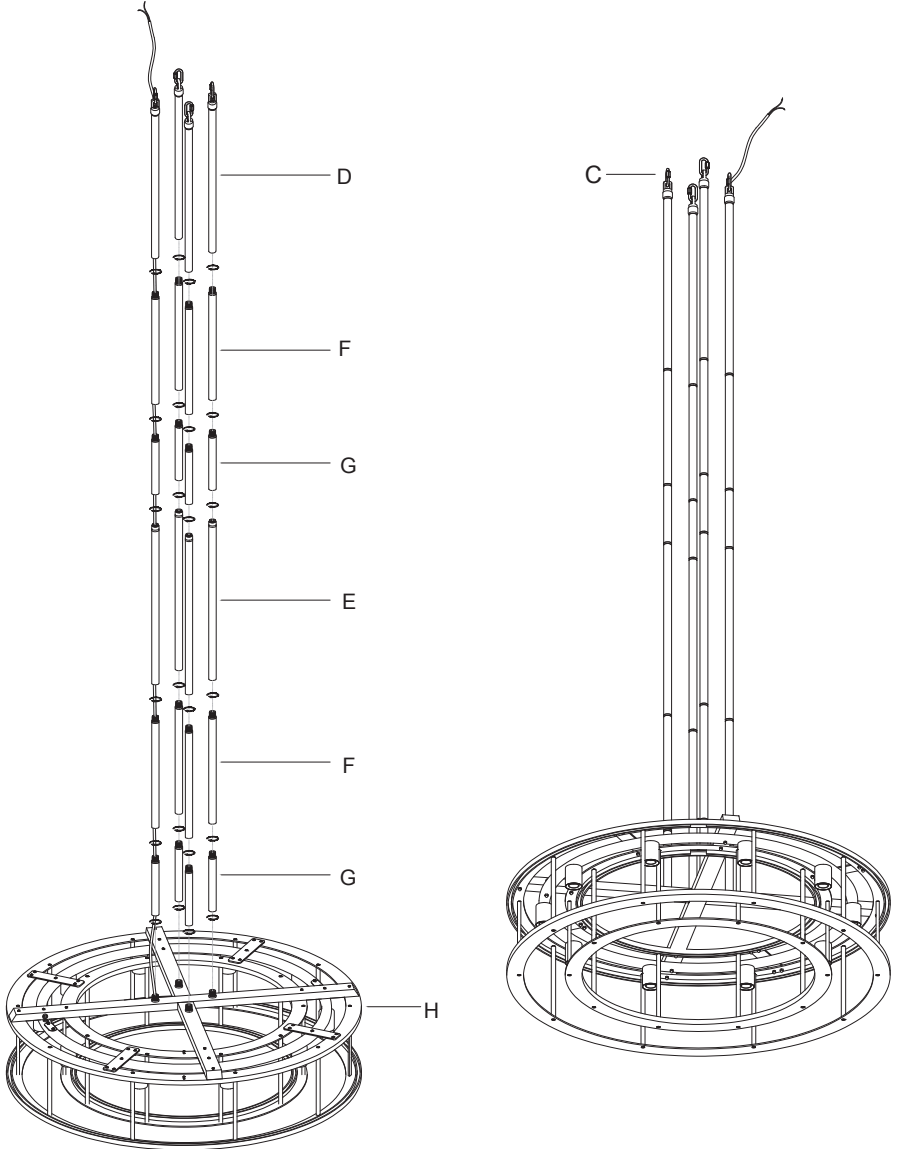
3. Assemble the Lamp Body

Step 1: Pass the power cord through the downrod (D/E/F/G).

Step 2: Screw the downrods together, and secure them to the lamp body (H).

Step 3: Attach the quick link (C) to the hanging ring on the downrod (D).

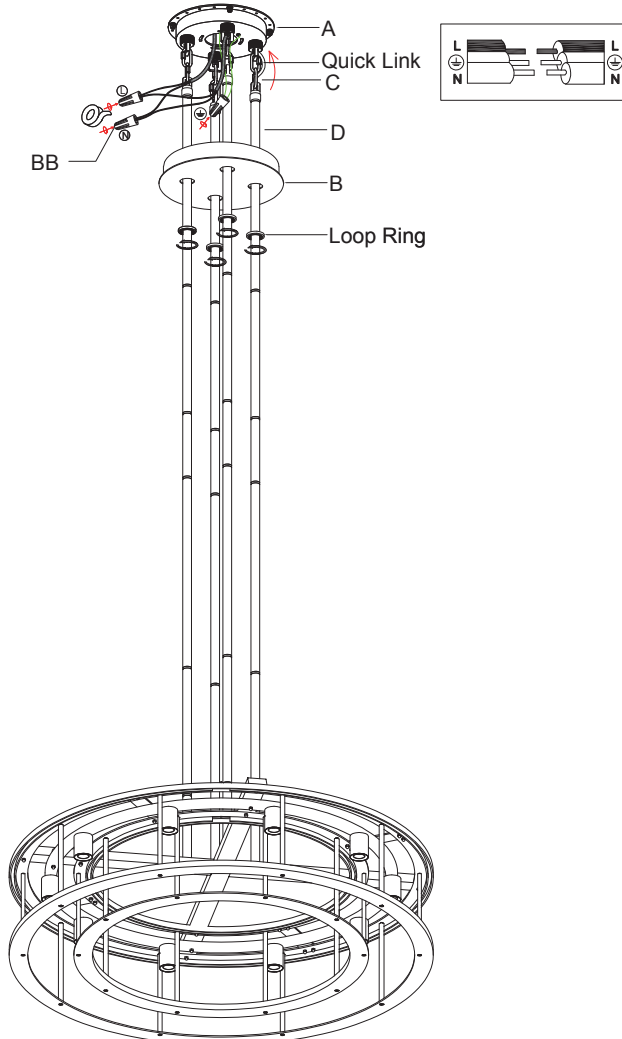
Note: Select the number of downrod based on your desired height.



4. Connect the Wires

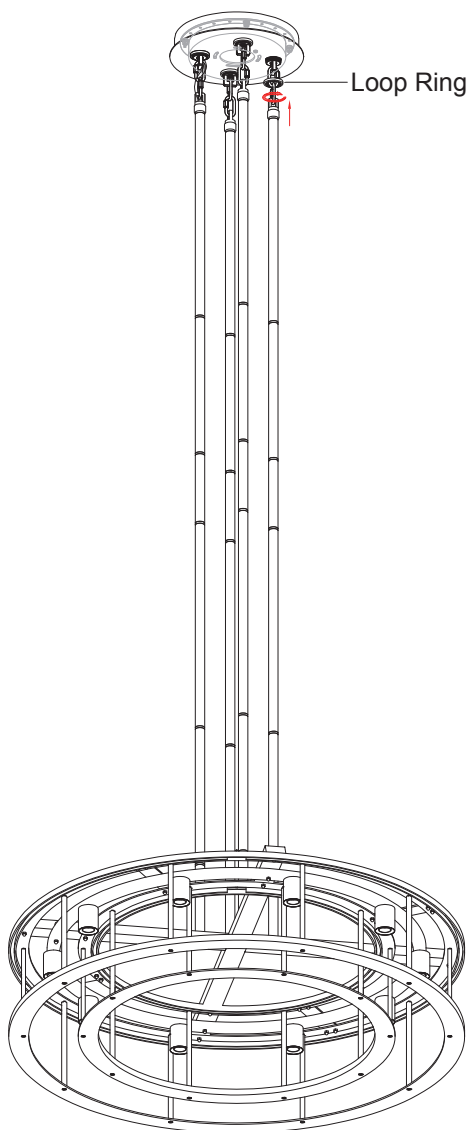
Step 1: Pass the downrod (D) through the canopy (B) and loop ring, and attach the quick link (C) to the quick link of the mounting bracket (A). Tighten the quick links (C) securely.

Step 2: Connect the wires from the fixture to the house supply wires with wire nuts (BB), ground wire (green, green/ yellow, or bare copper) to ground wire, neutral wire (white) to neutral wire, and hot wire (black) to hot wire. Wrap the connection with electrical tape.



5. Fix the Canopy

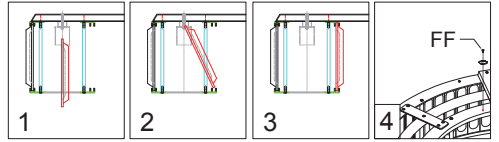
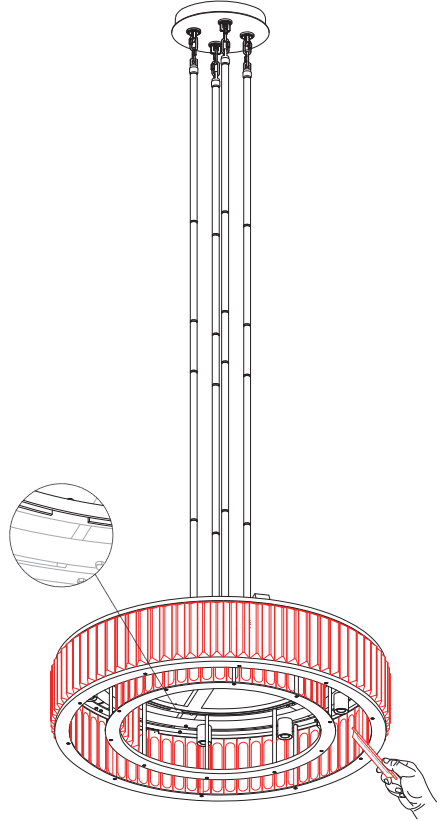
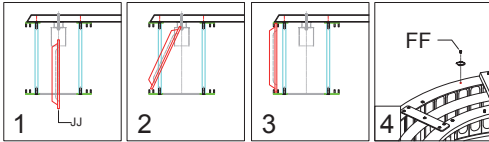
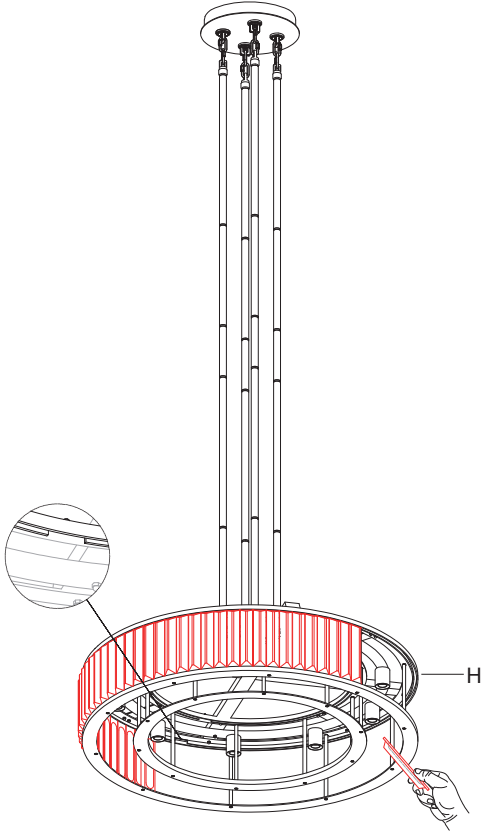
Fix the canopy (B) onto the mounting bracket (A) with loop ring.



6. Install the Crystal

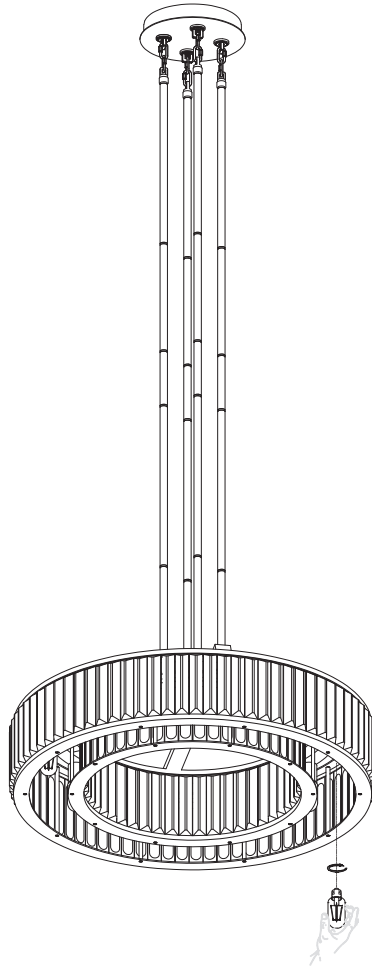
Step 1: Position the crystal at the notch outside the crystal slot. Insert the bottom end into the slot first. Once the crystal is upright, slide it left and right until the entire slot is filled.

Step 2: Screw the fixture screw (FF) into the top of the slot.



7. Install the Bulbs

Install Bulbs. (E26 LED Bulbs x 10, Max 10W each, not included).



Bulbs Suggested



T10

Note:

To achieve dimming functionality, you need to use dimmable bulbs and a dimmer switch.

For bulbs with color temperature control, repeatedly switch “on” and “off” using the wall switch to change settings.

Trouble Shooting

1. Missing / Broken Parts

- Make a list of the missing/broken parts according to the packing list, take photos for broken parts, then email us for free replacements.

2. Bulbs Do Not Light Up

- Check your power and switch to make sure it's power on.
- For regular bulbs, make sure it is connected to the ON/OFF wall switch, not the dimmer switch.
- Replace the bulb with a new one.

3. Bulbs Flicker

- If it is a dimmer switch, use a dimmable bulb.
- Replace the bulb with a new one.

4. Could Not Install / Assemble

- Take photos of the ceiling / fixture, contact seller for technical support.

Clean And Care

To clean, wipe fixture with soft cloth. Spray from chemical cleaners can discolor the finish of fixture. Do not use scouring pads, powders, steel wool or abrasive paper to clean this fixture.

Ordering Parts

Keep this manual for future reference, and in case replacement parts are needed. Available parts can be ordered from place of purchase. Use exact wording from diagrams when ordering parts.