

INSTRUCTIONS



Product Name:racks

Warning:

Prevent cargo from tipping over and crushing onto people.

USE & CARE

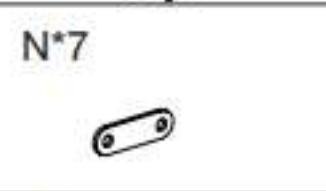
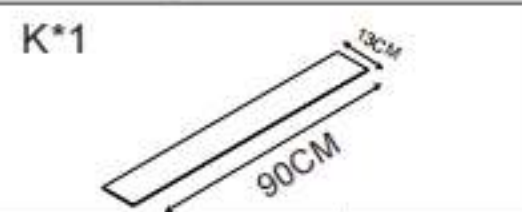
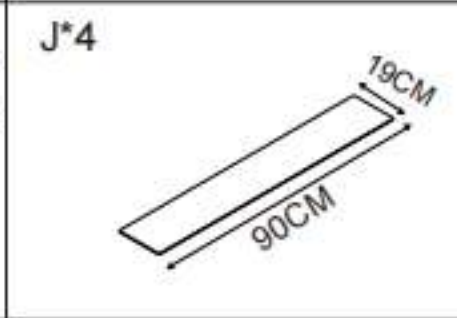
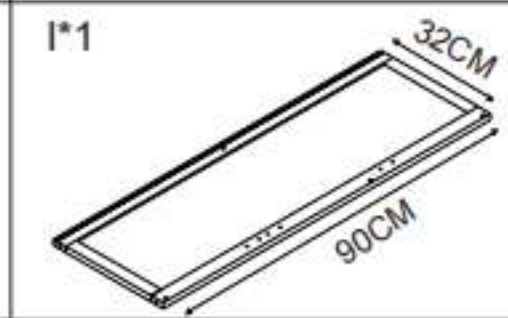
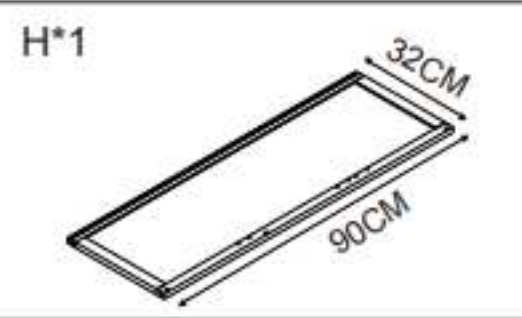
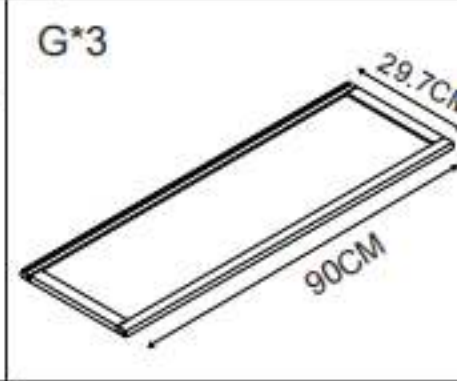
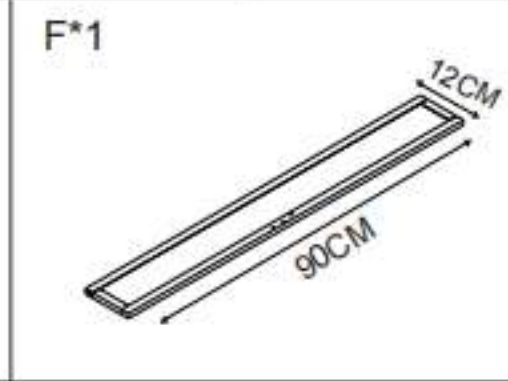
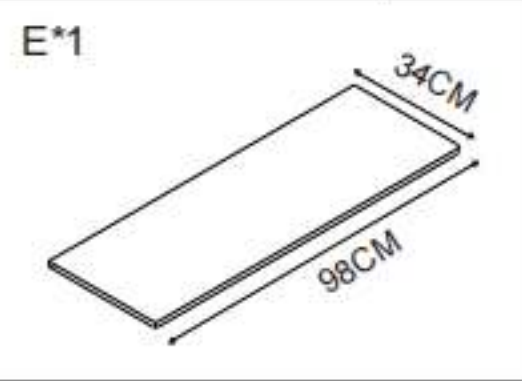
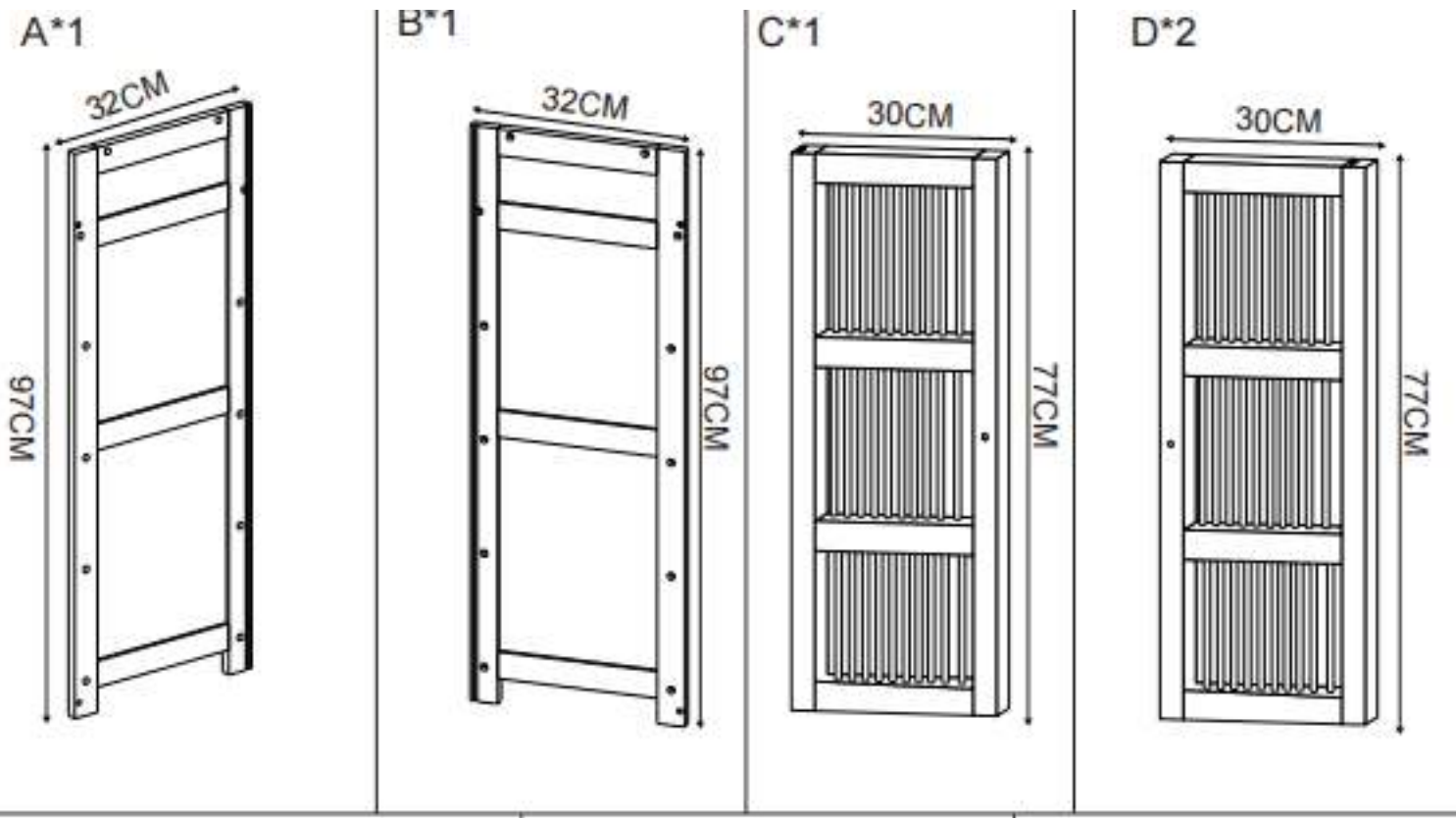
Assemble completely per the manual; tighten all screws before use.

Keep in a dry, ventilated area; avoid direct sunlight, high humidity, and heat.

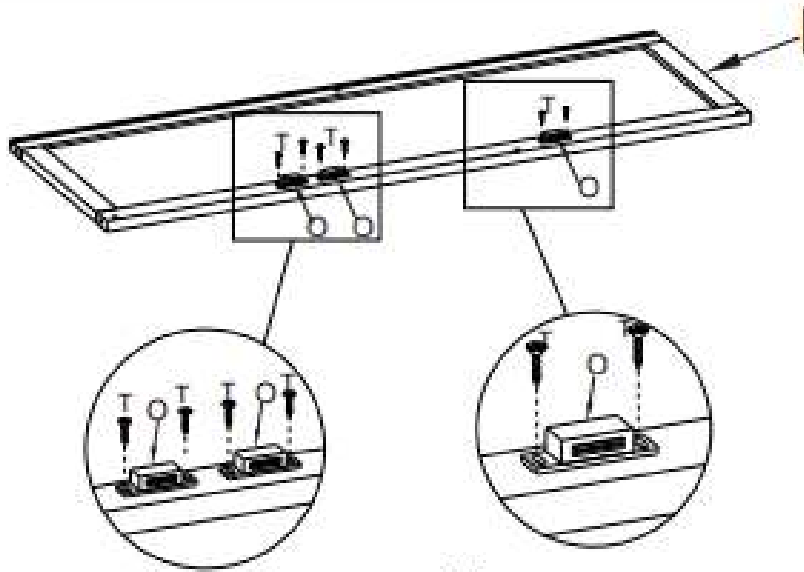
Clean with a soft dry cloth; do not use water or harsh chemicals.

Regularly check connections and re-tighten loose screws.

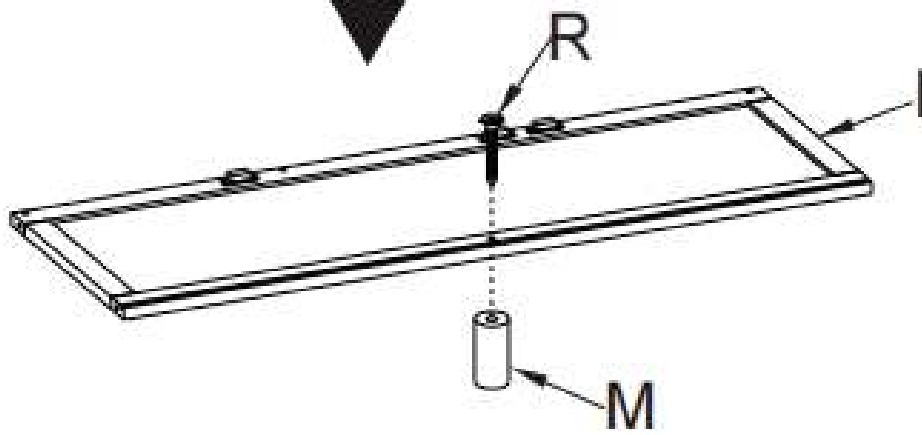
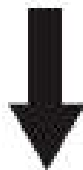
Do not bend, drop, or apply excessive force to the bamboo parts.



1

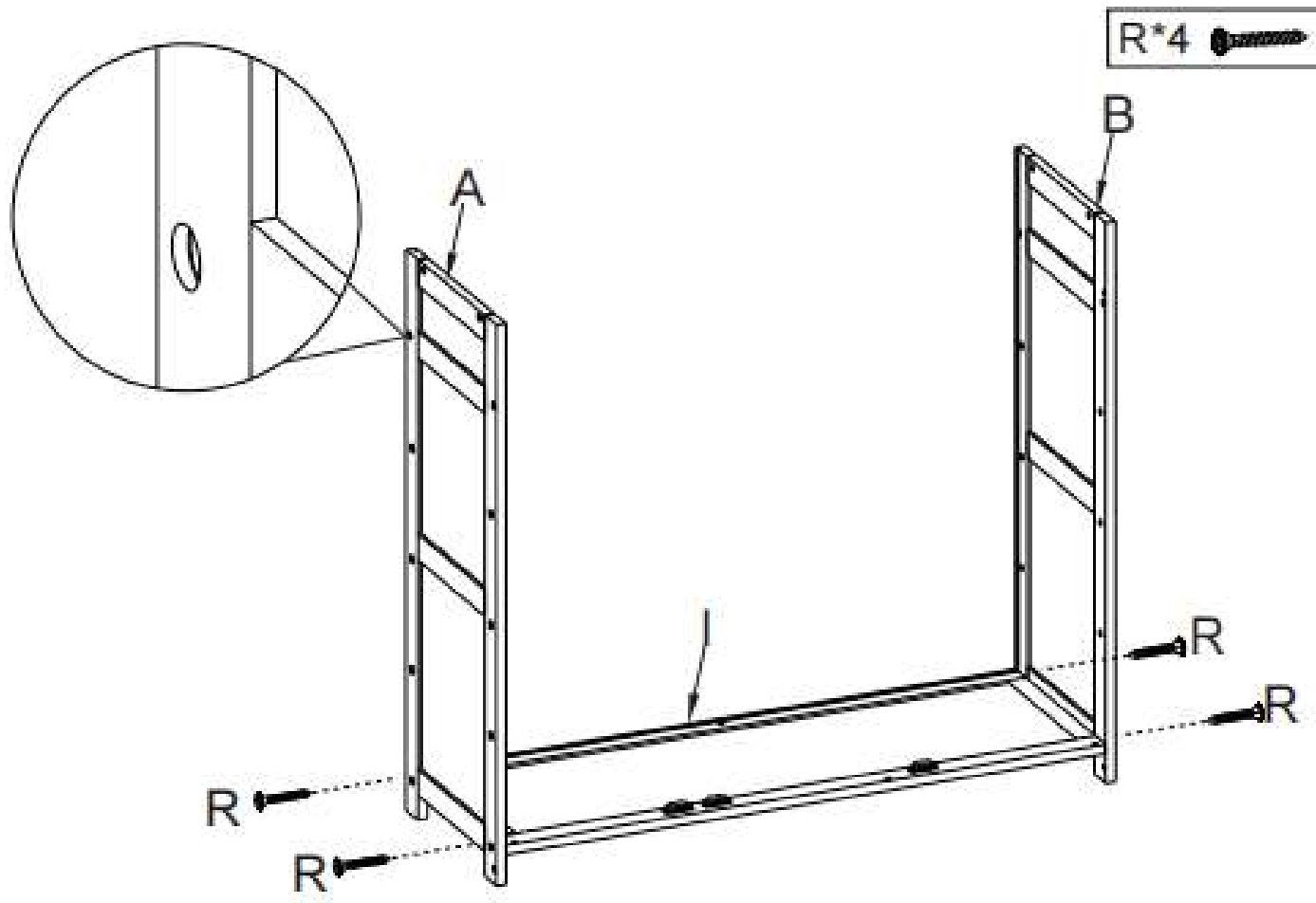


T*6 



R*1 

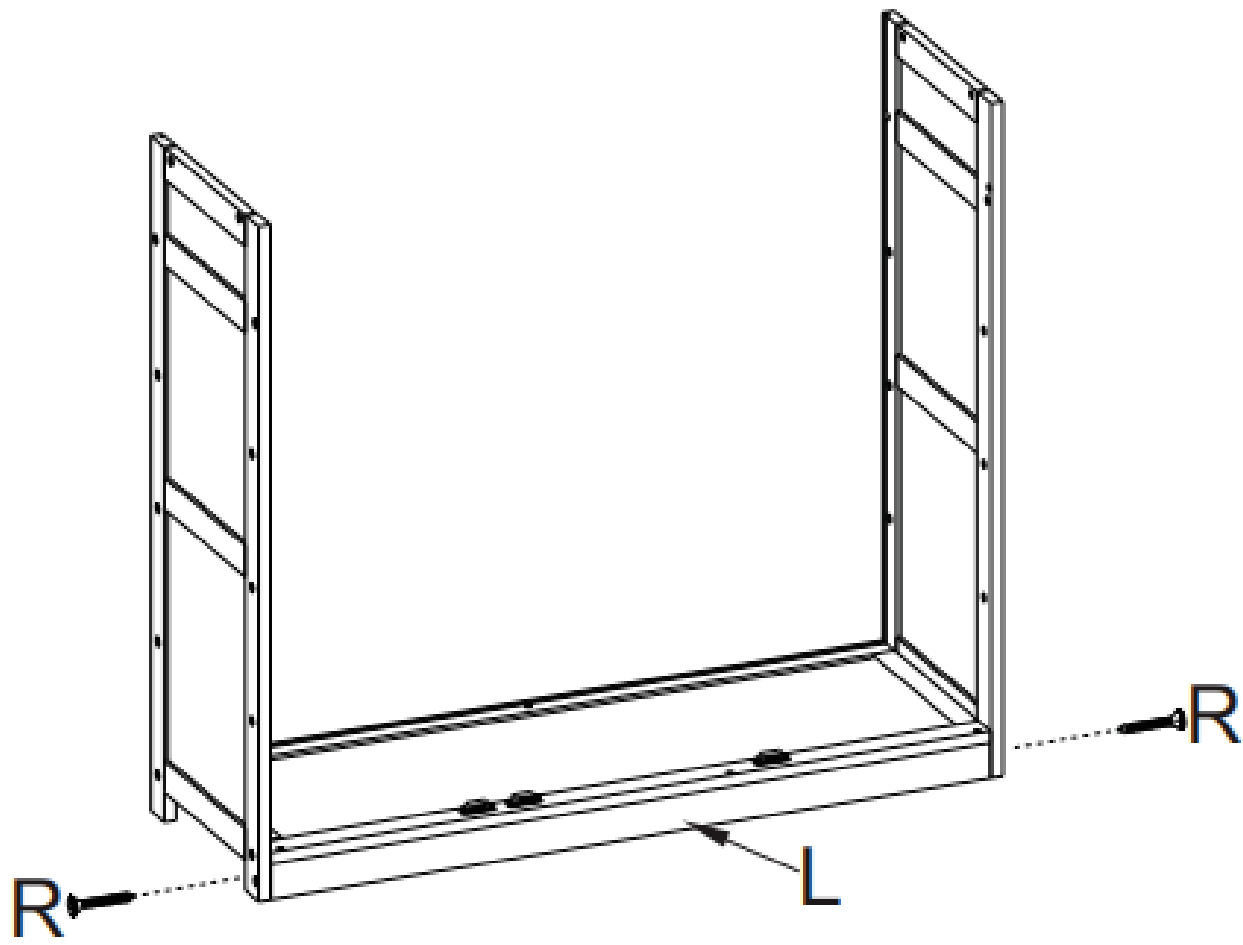
2



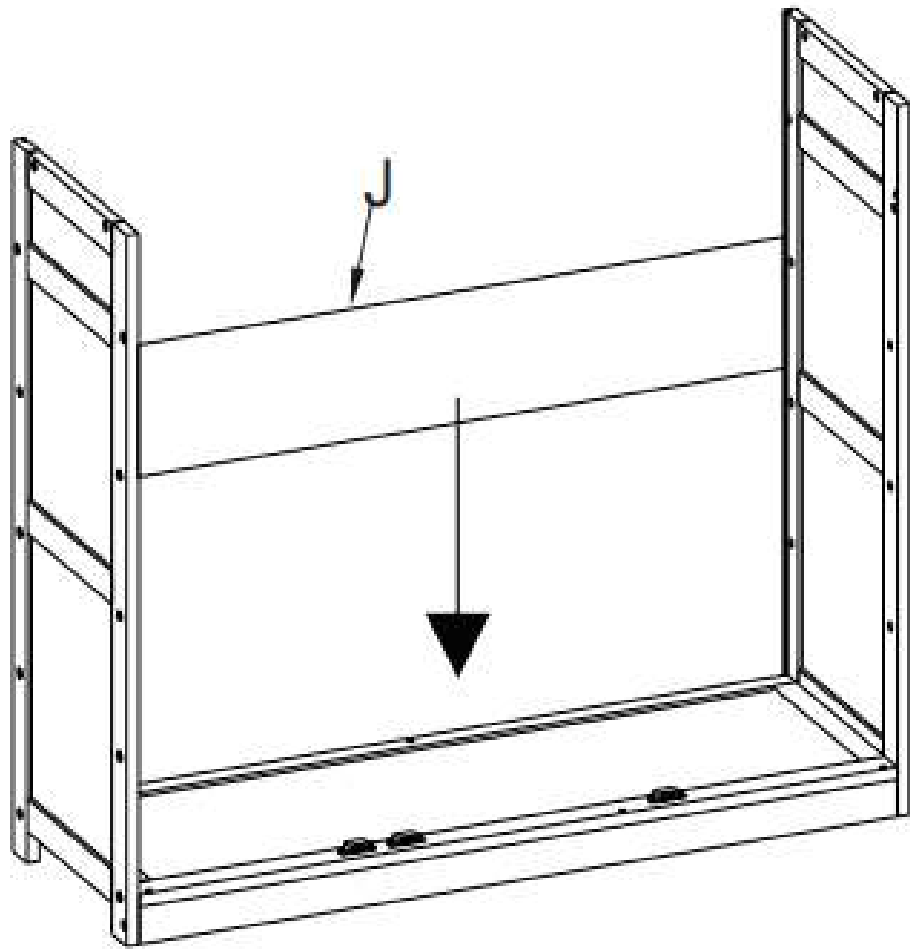
2.The big hole positions are on the outside when assembling the part A and B

3

R*2 

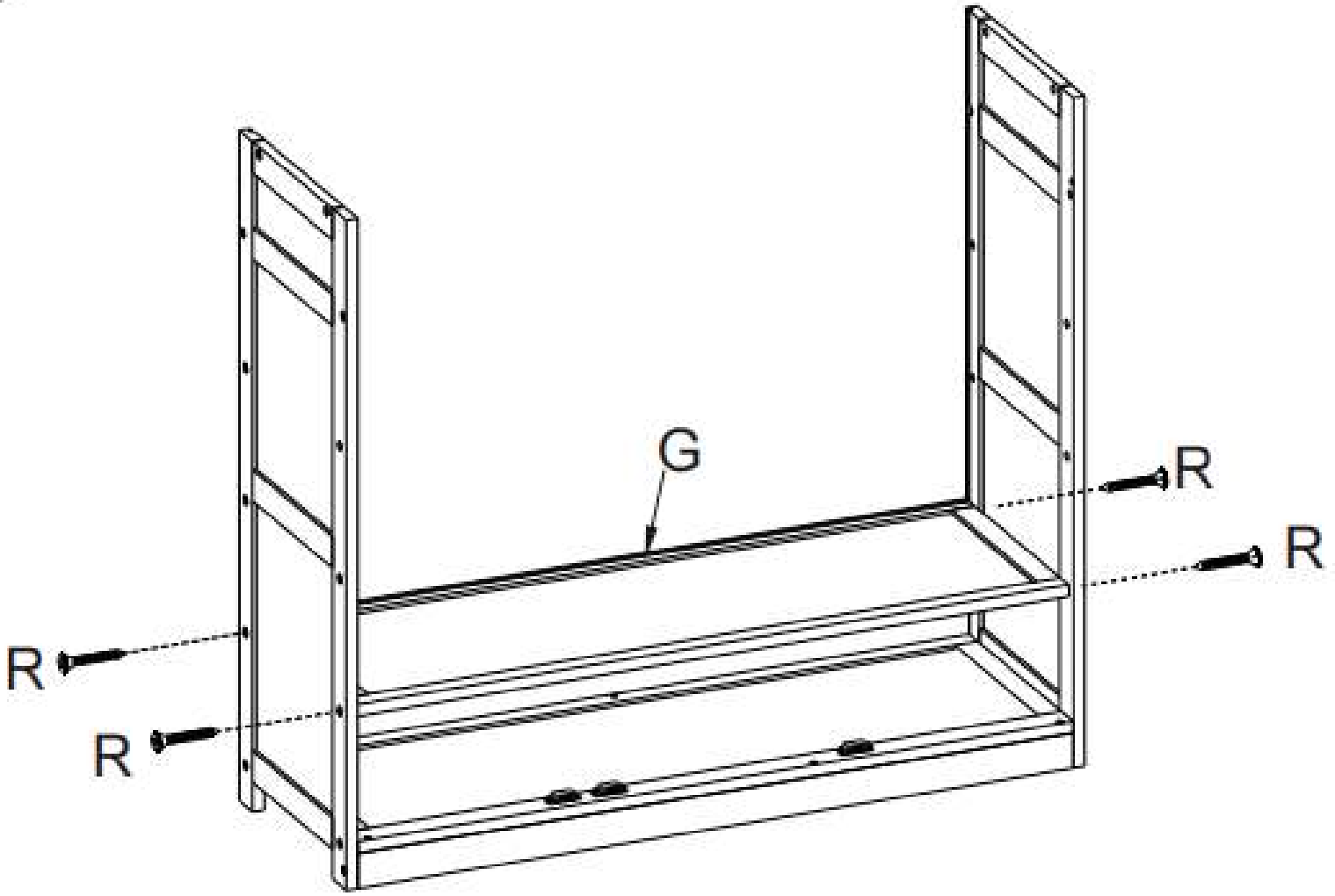


4

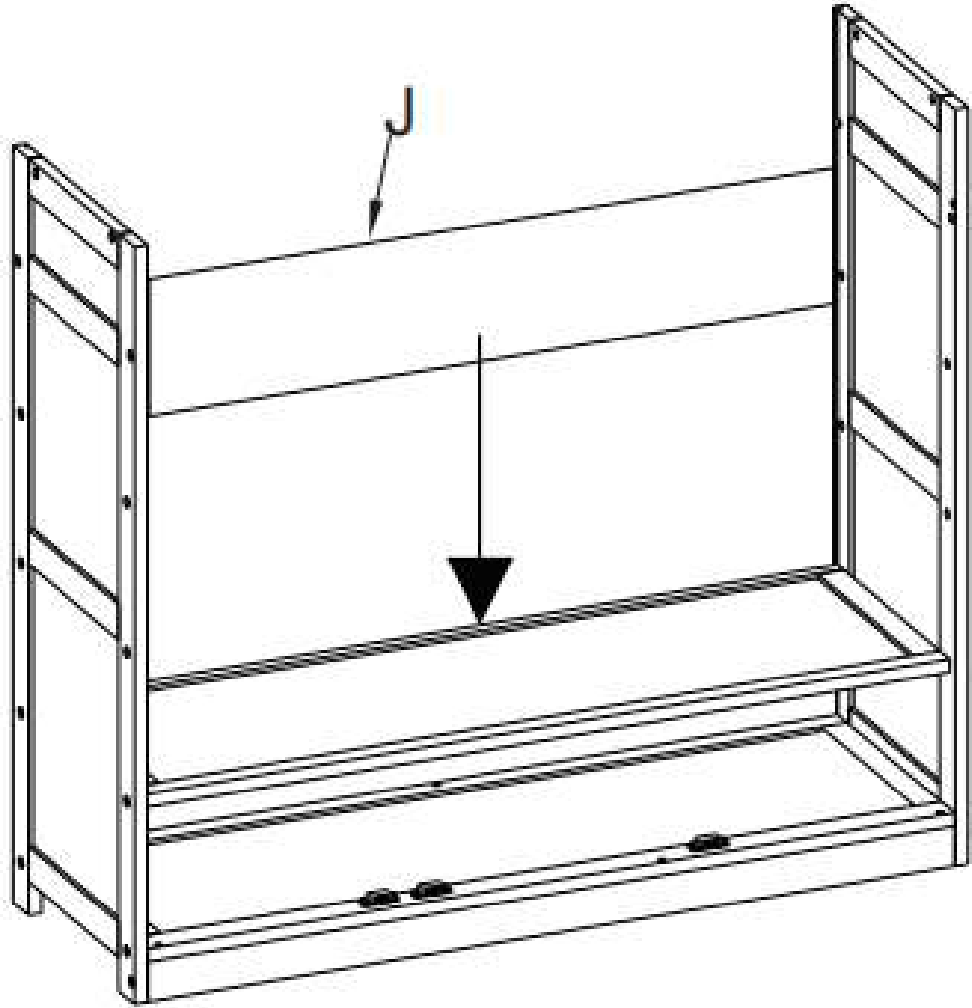


5

R*4 

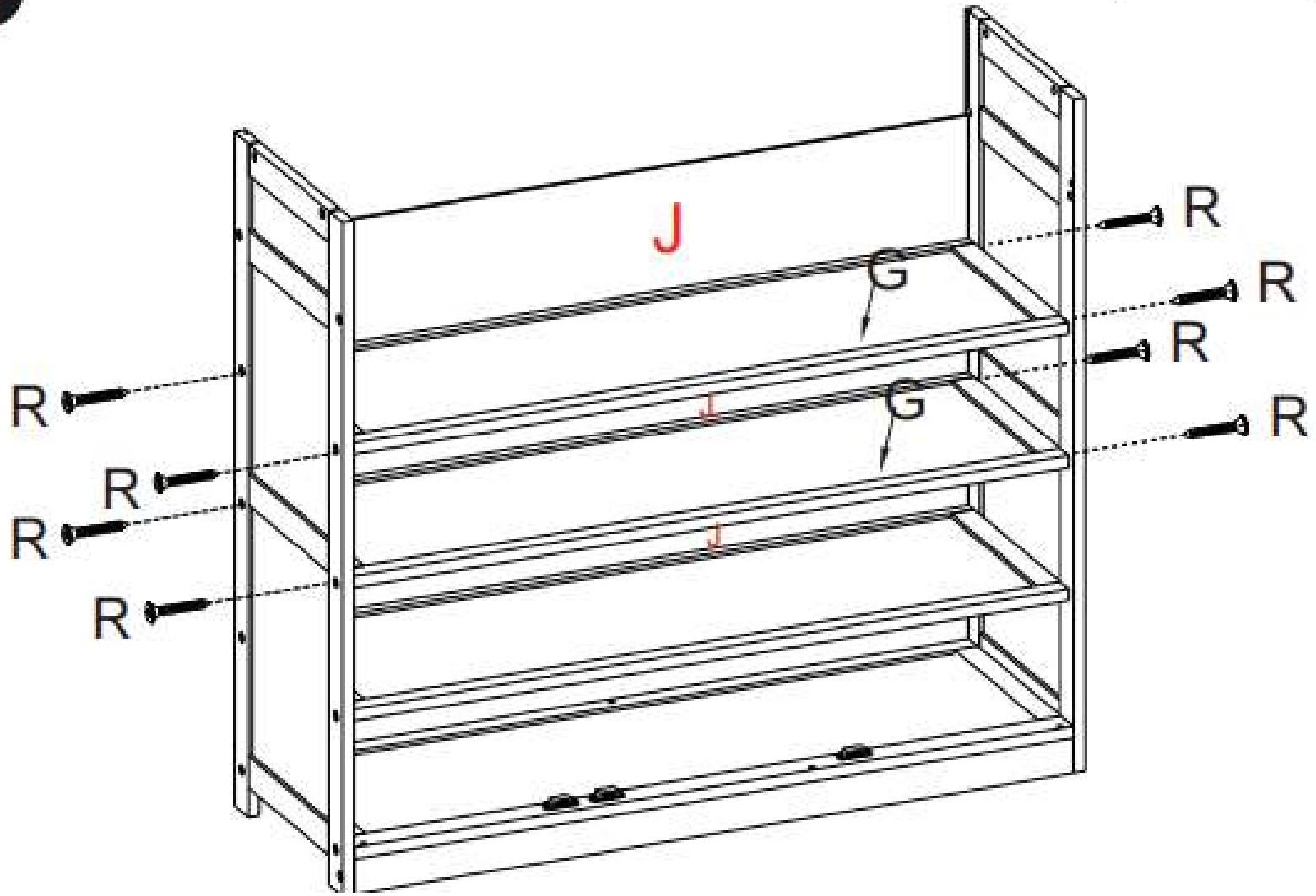


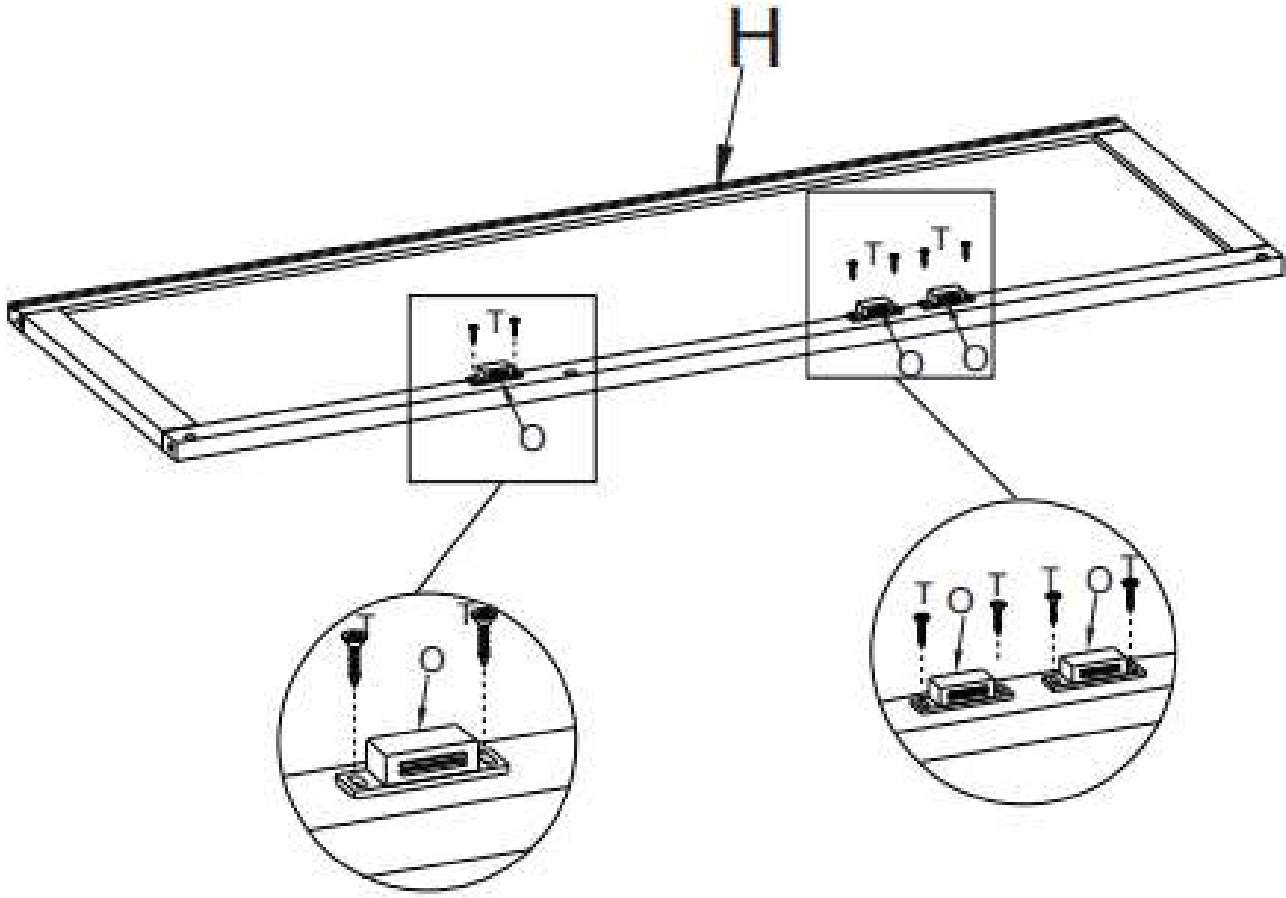
6



7

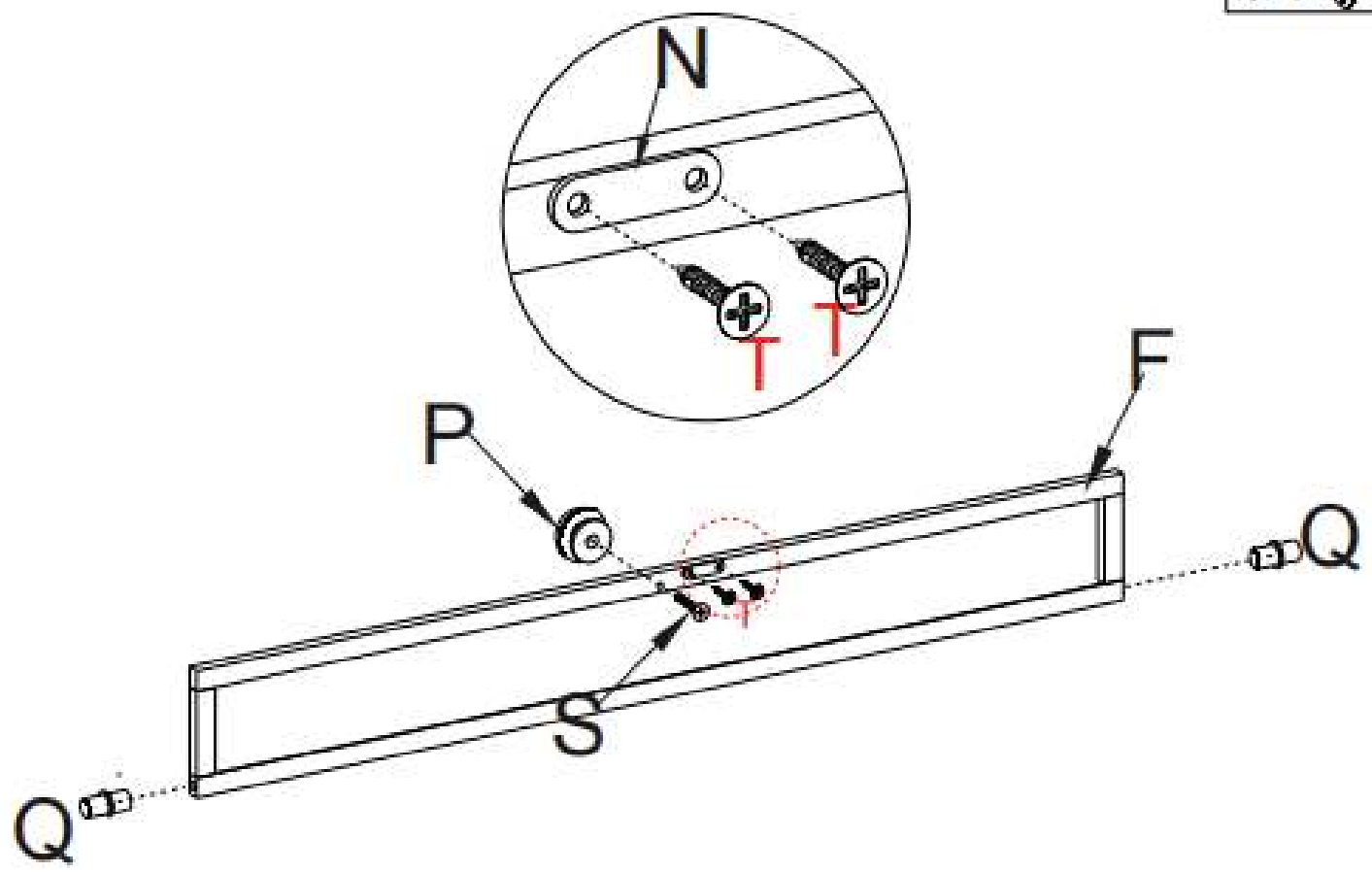
R*8 



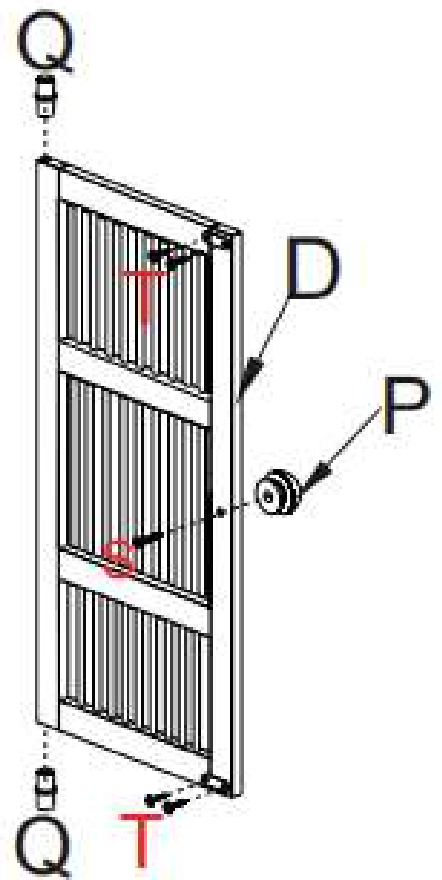
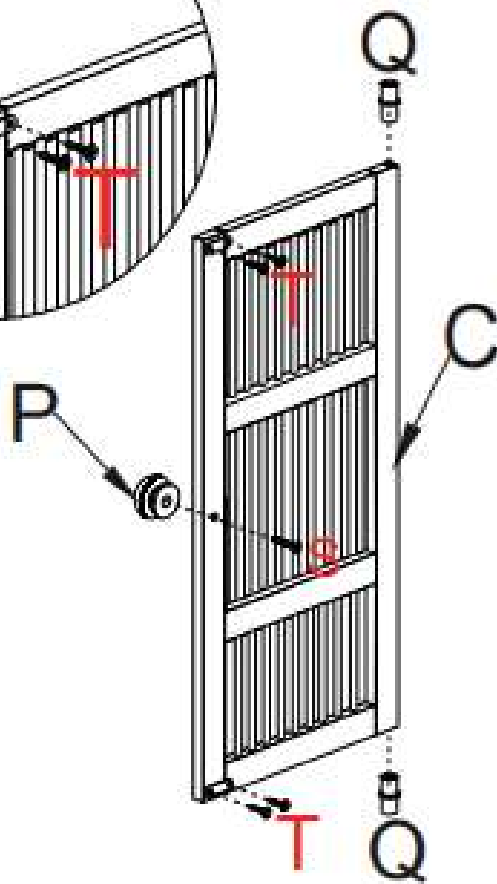
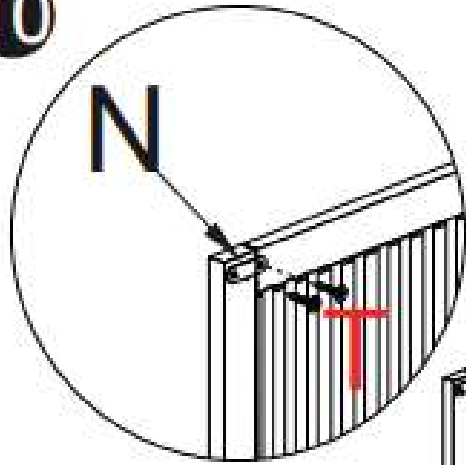


9


- T*2 
- S*1 



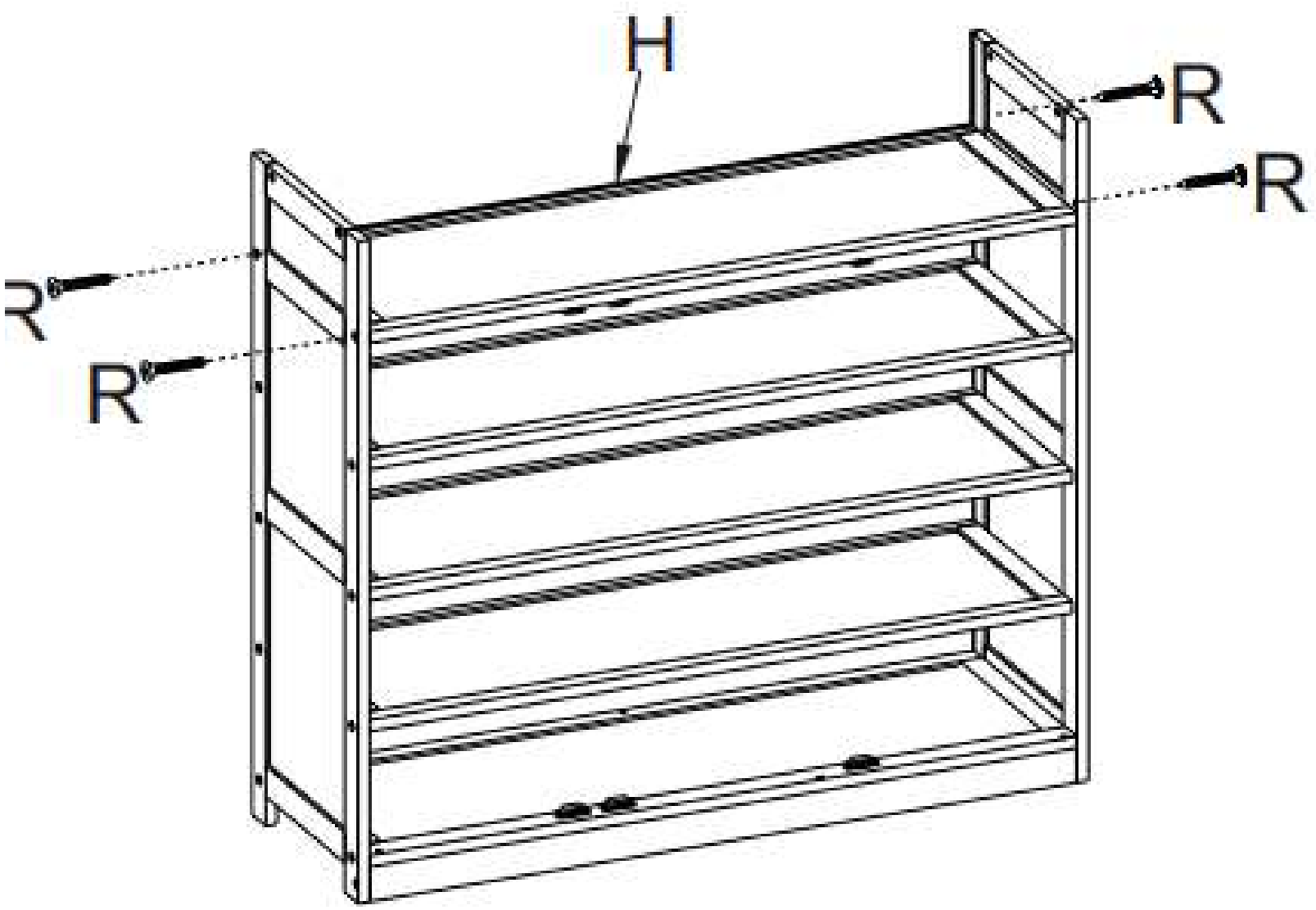
10



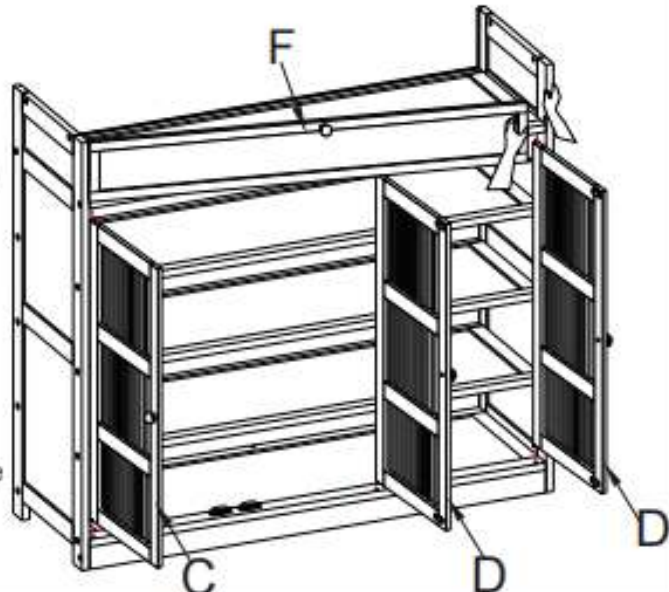
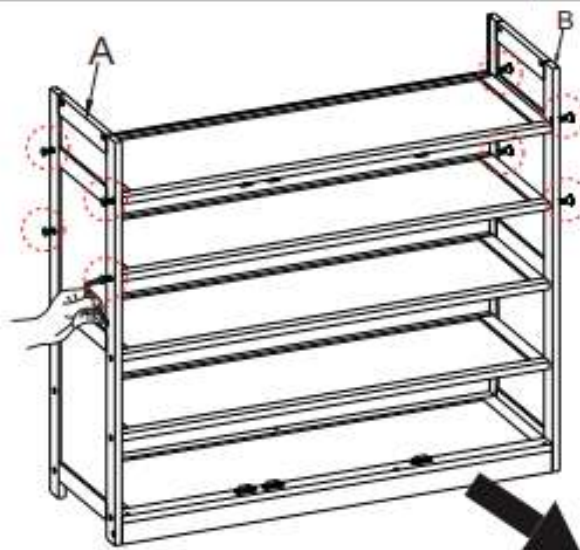
T*12	
S*3	

R*4 

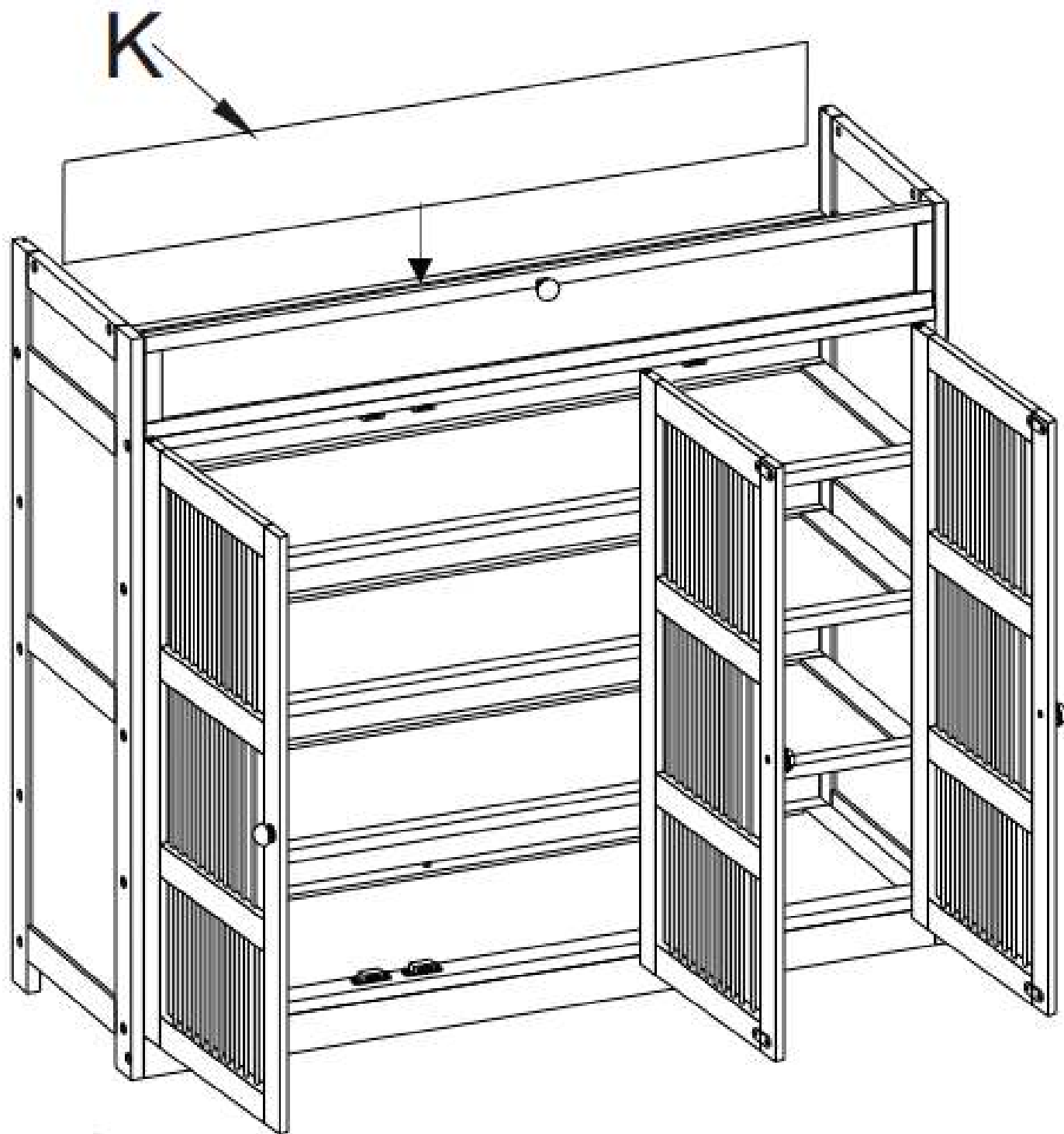
11



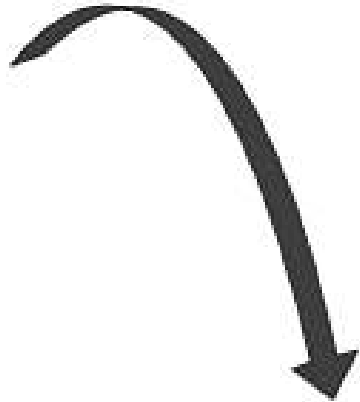
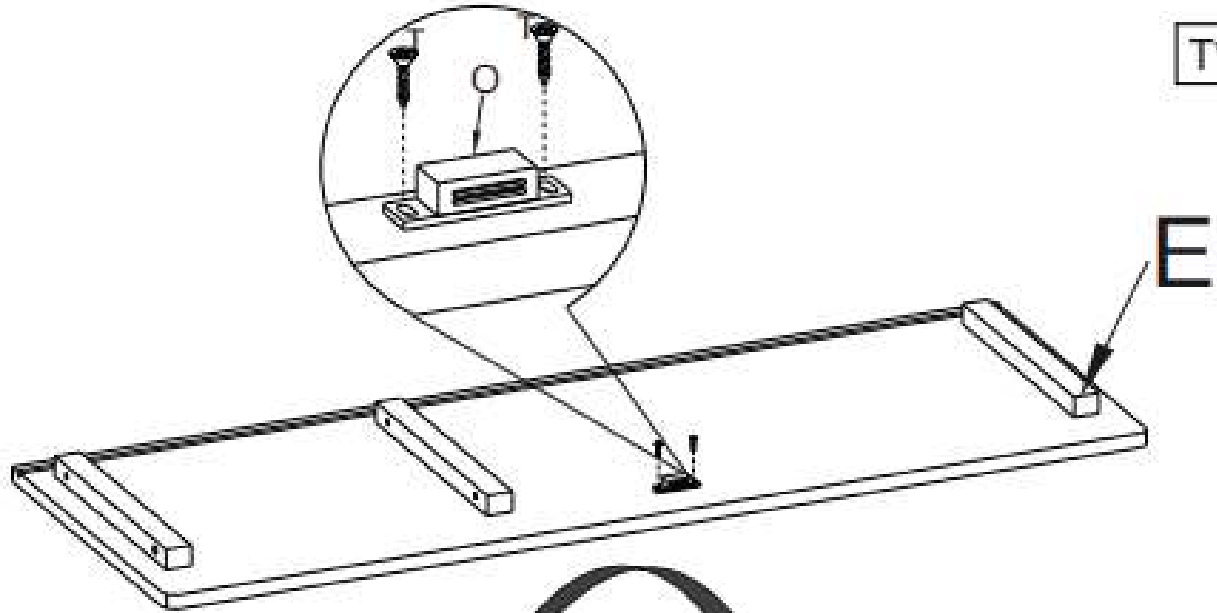
12



12.Attention: Please loose the 8pcs screws for 1cm on the part A and B when assembling the part C, D, and F, then tighten all the screws after installation done



T*2 



R*4 

