

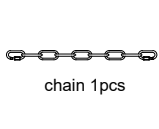
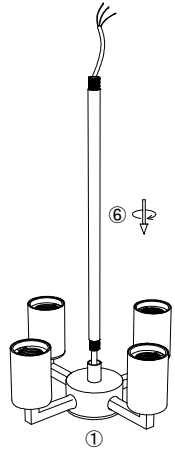
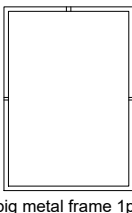

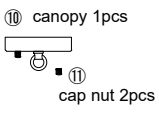
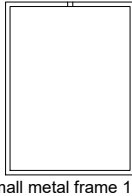





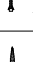
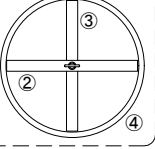
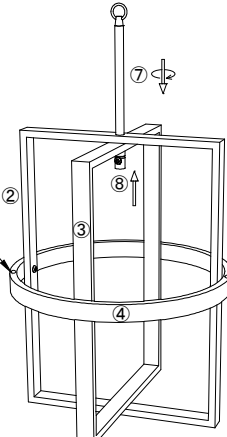
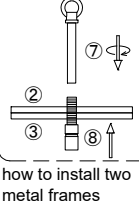
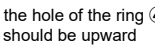
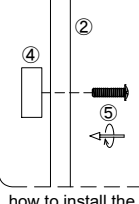
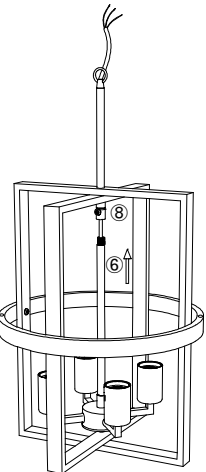
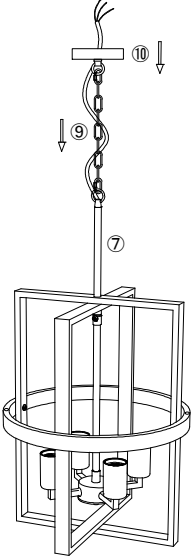
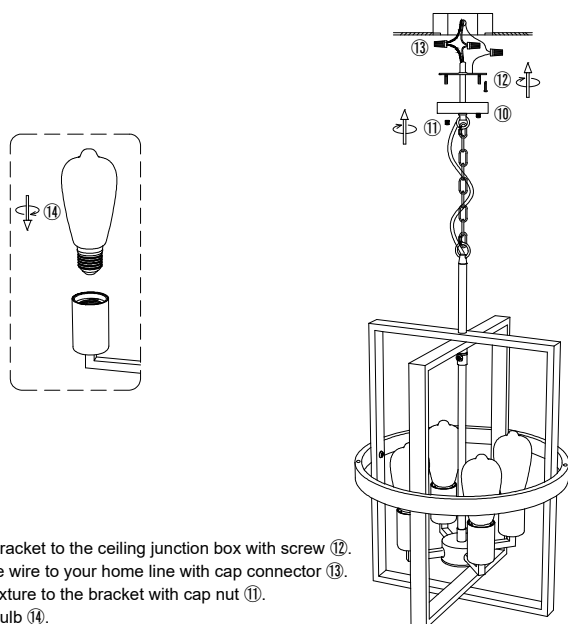


| | | | |
|--|--|---|---|
|  <p>① light fixture 1pcs</p> |  <p>④ ⑤ screw 2pcs ④ metal ring 1pcs</p> |  <p>⑨ chain 1pcs</p> |  <p>1. Rotate to install the tube ⑥ to the fixture ①.</p> |
|  <p>② big metal frame 1pcs</p> |  <p>⑥ hanging tube 1pcs</p> |  <p>⑩ canopy 1pcs ⑪ cap nut 2pcs</p> | |
|  <p>③ small metal frame 1pcs</p> |  <p>⑦ hanging tube 1pcs</p> |  <p>X 1PCS</p> | |
| |  <p>⑧ universal joint 1pcs</p> |  <p>X 1PCS</p> | |
| | |  <p>X 3PCS</p> | |
| | |  <p>X 3PCS</p> | |
|  <p>vertical view</p> |  <p>2. Let the universal joint ⑧ go through the small frame ③ and big frame ② and tube ⑦, rotate the tube ⑦ to fasten two frames together.</p> |  <p>how to install two metal frames</p> | |
|  <p>the hole of the ring ④ should be upward</p> | |  <p>how to install the metal ring</p> |  <p>4. Let the wire of the fixture go through the metal frame, rotate to fix the frame and fixture together.</p> |
| <p>3. Install the metal ring ④ to the metal frame with screw ⑤. (don't tighten the screws ⑤ until all screws are ready in the holes, rotate to fasten the screws ⑤ at last)</p> | | | |
|  <p>5. Hang the fixture to the canopy ⑩ with chain ⑨, let the wire go through the chain ⑨ and canopy ⑩.</p> | | |  <p>6. Install the bracket to the ceiling junction box with screw ⑫. 7. Connect the wire to your home line with cap connector ⑬. 8. Install the fixture to the bracket with cap nut ⑪. 9. Install the bulb ⑭.</p> |

Please read carefully before installation!!!

Note : Please make sure that the electricity is powered off during installation !

Only a professional electrician should install this kind of product !