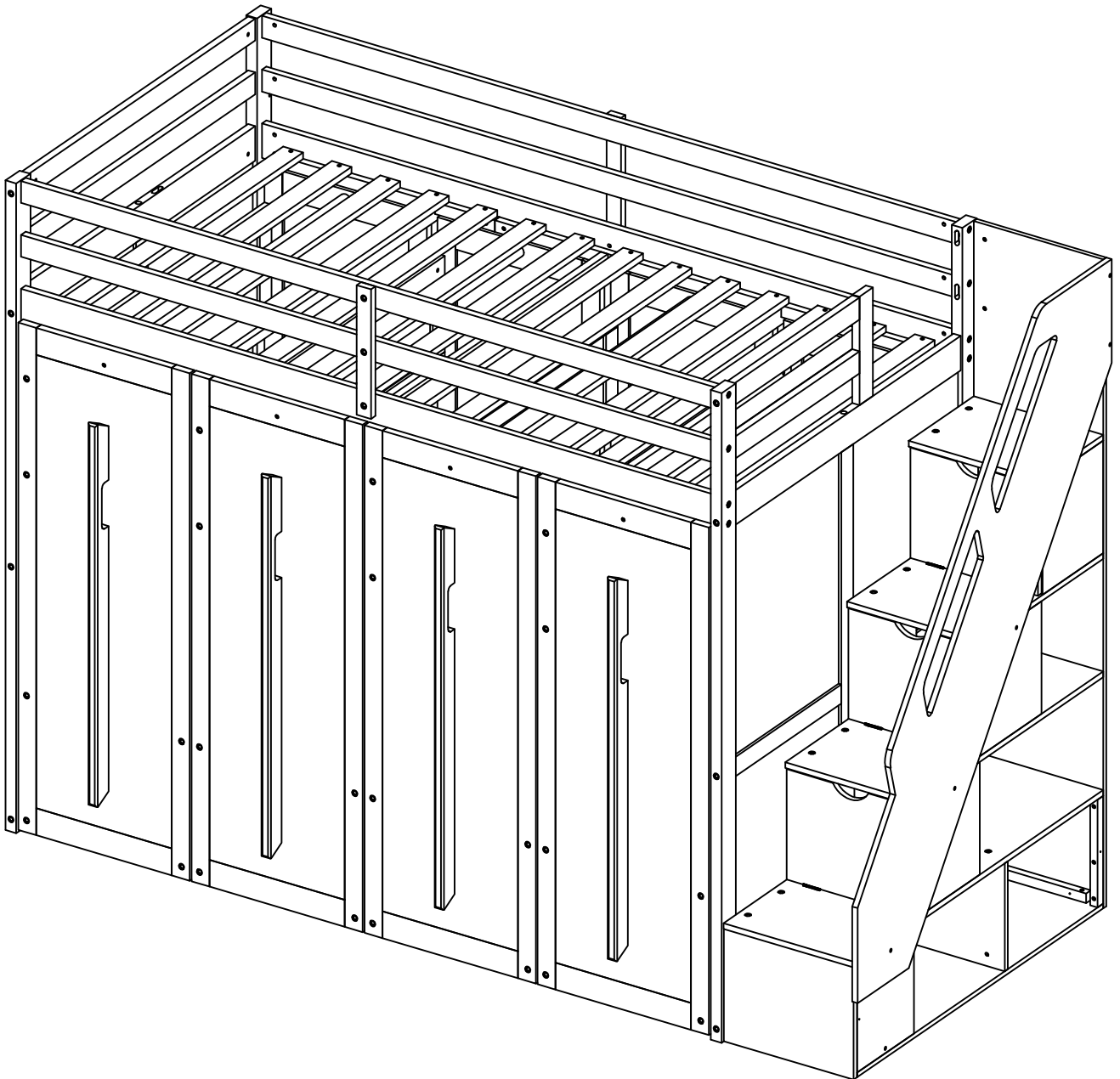


ASSEMBLY INSTRUCTION

SKU CODE: (WF324446-WF324447-WF324448-WF324449)



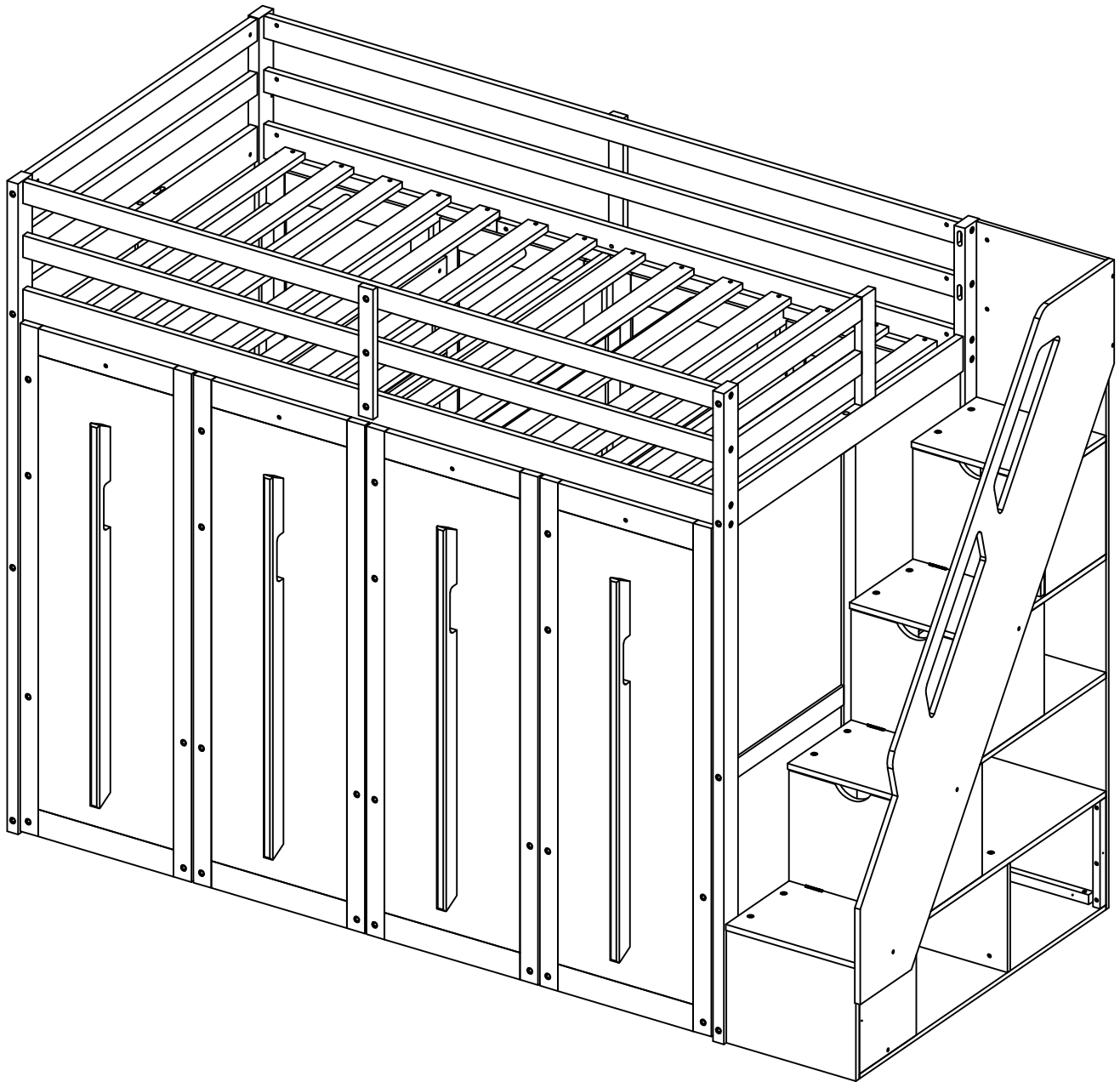
! SAFETY WARNINGS !

1. This bed is designed for use only mattress (es) meeting the following specifications on the upper bunk

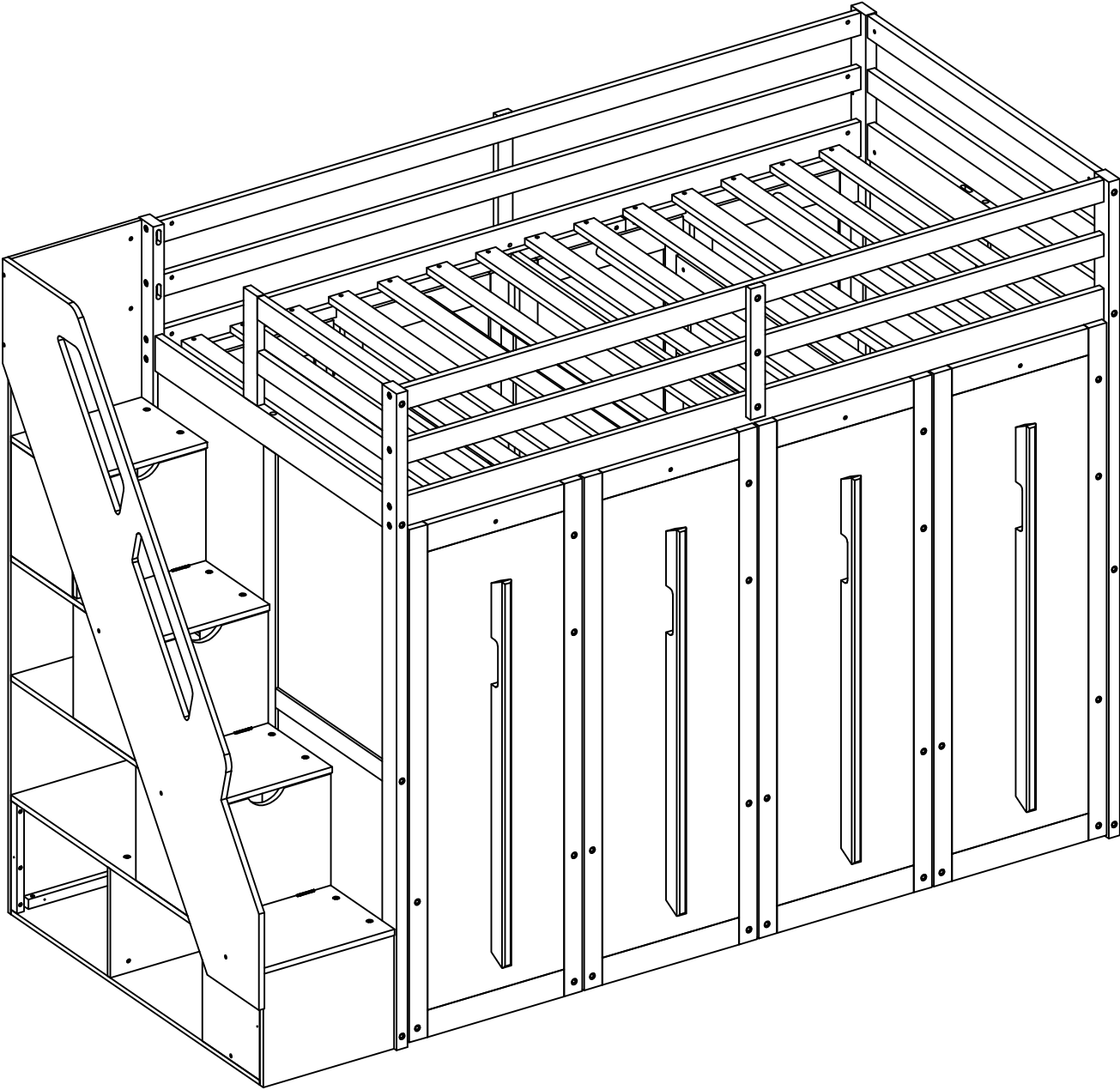
Upper bed Bed Type	Length	Width	Thickness
<i>Twin Standard</i>	<i>74" - 75"</i>	<i>38 1/2"</i>	<i>6" max</i>

2. Replacement parts, including additional guardrails, maybe obtained from any of our (GIGACLOUD TECHNOLOGY (USA) INC. 18961 ARENTH AVENUE CITY OF INDUSTRY, CA, 91748) dealers
3. Follow the information on the warnings appearing on the upper bunk bed end structure and on the carton. Do not remove warning label from bed
4. Always use the recommended size mattresses or mattress supports, or both, to help prevent the likelihood of entrapment or falls.
5. Surface of mattress must be at least 5" (127mm) below the upper edge of guardrails
6. Do not allow children under 6 years of age to use the upper bunk.
7. Periodically check and ensure that the guardrail, ladder, and other components are in their proper position, free from damage, and that all connectors are tight.
8. Do not allow horseplay on or under the bed and prohibit jumping on the bed.
9. Always use the ladder for entering and leaving the upper bunk.
10. Do not use substitute part. Contact the manufacture or dealer for replacement part
11. Use of a night light may provide added safety precaution for a child using the upper bunk..
12. Always use guardrails on both long sides of the upper bunk. If the bunk bed will be placed next to the wall, the guardrail that runs the full length of the bed should be placed against the wall to prevent entrapment between the bed and wall.
13. The use of water or sleep flotation mattresses is prohibited
14. STRANGULATION HAZARD - Never attach or hang items to any part of the bunk bed that are not designed for use with the bed; for example, but not limited to, hook, belts and jump ropes
15. Keep these instruction for future reference
16. Prohibit more than one person on upper bunk
17. We recommend assembling your bunk bed on the shipping carton to protect your floor or carpet
18. Be certain all staples are out of the box before beginning assembly on the shipping carton.

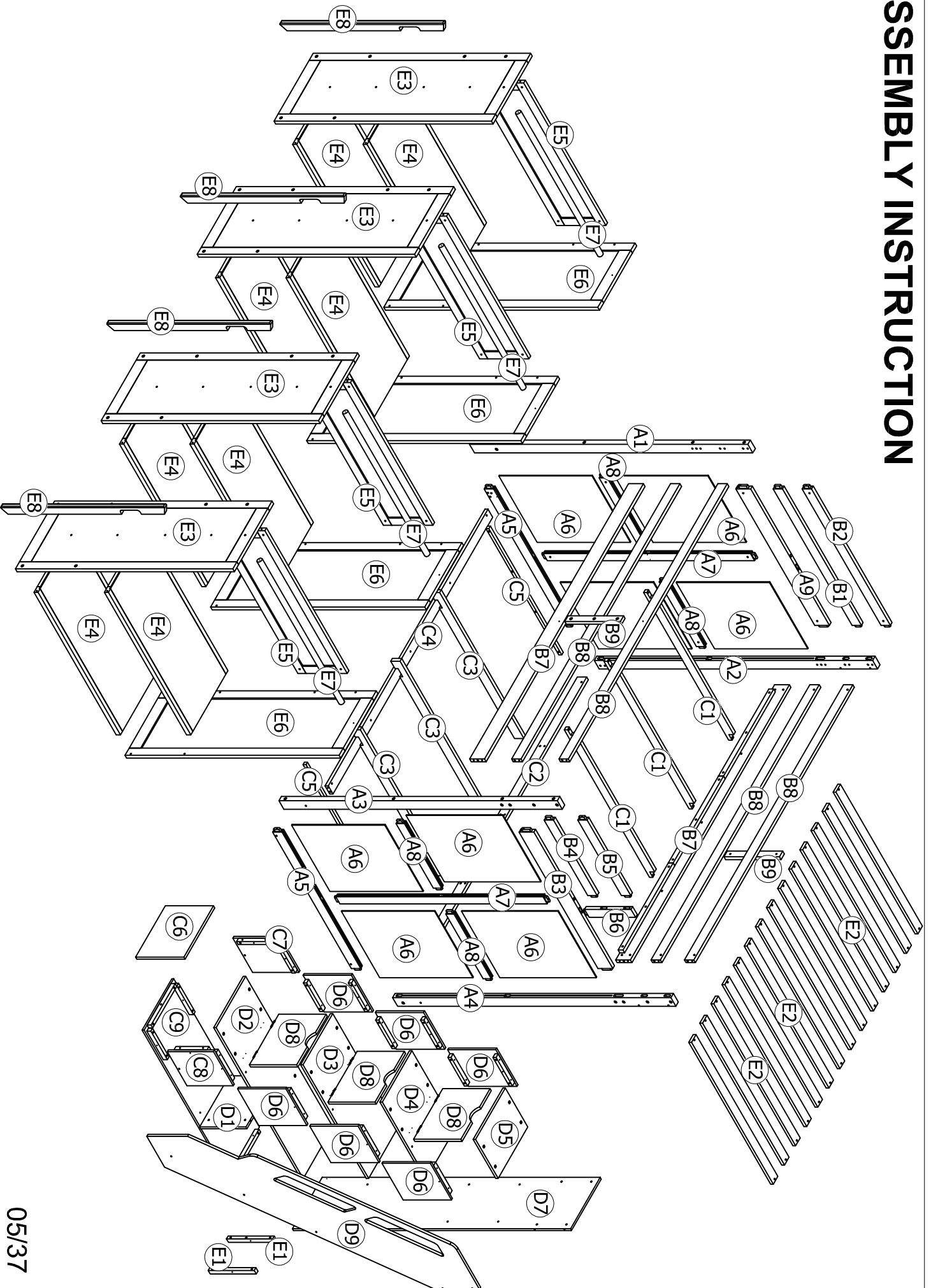
OPTION 1:



OPTION 2:

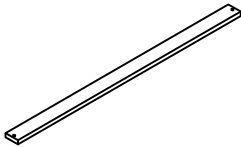


ASSEMBLY INSTRUCTION



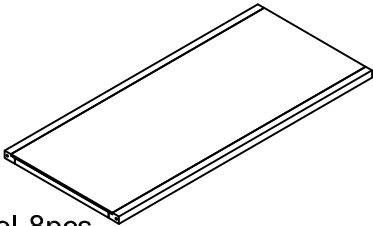
Part List (Box1-WF324446)

E2



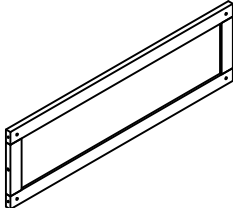
Slat-14pcs

E4



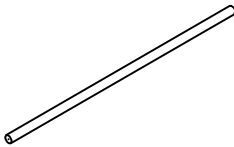
Panel-8pcs

E5



Panel-4pcs

E7



WoodBar-4pcs

Part List (Box2-WF32447)

A1



Leg-1pc

A2



Leg-1pc

A3



Leg-1pc

A4



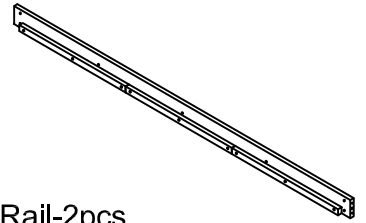
Leg-1pc

A7



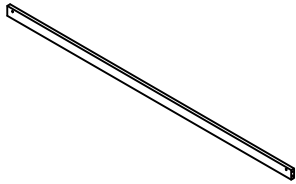
WoodBar-2pcs

B7



Side Rail-2pcs

B8



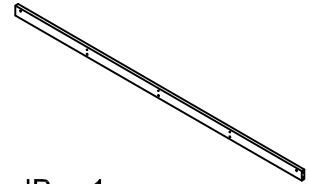
WoodBar-4pcs

B9



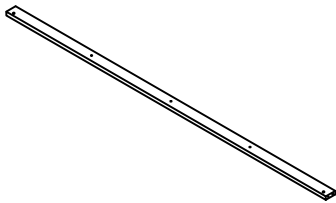
WoodBar-2pcs

C2



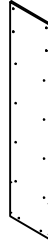
WoodBar-1pc

C4



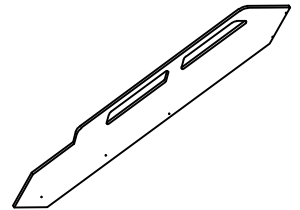
WoodBar-1pc

D7



Panel-1pc

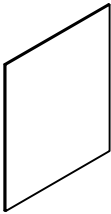
D9



Panel-1pc

Part List (Box3-WF324448)

A6



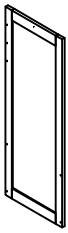
Panel-8pcs

E3



Panel-4pcs

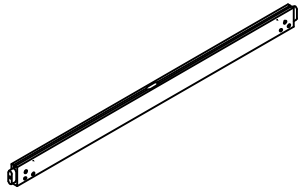
E6



Panel-4pcs

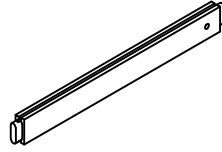
Part List & Hardware List(Box4-WF324449)

A5



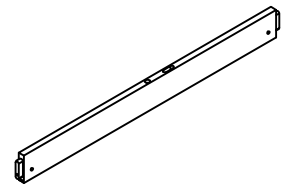
WoodBar-2pcs

A8



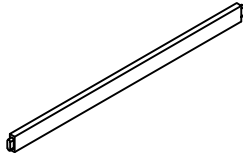
WoodBar-4pcs

A9



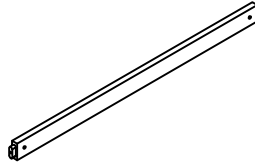
WoodBar-1pc

B1



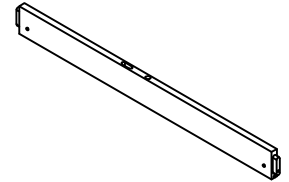
WoodBar-1pc

B2



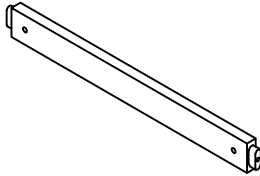
WoodBar-1pc

B3



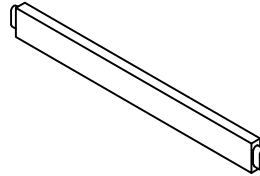
WoodBar-1pc

B4



WoodBar-1pc

B5



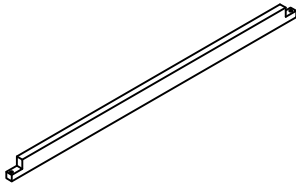
WoodBar-1pc

B6



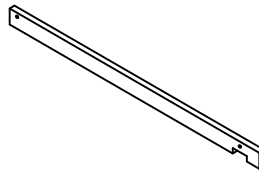
WoodBar-1pc

C1



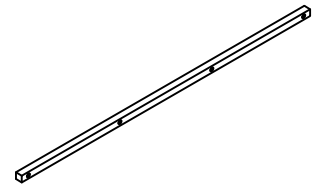
WoodBar-3pcs

C3



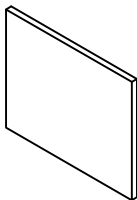
WoodBar-3pcs

C5



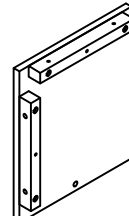
WoodBar-2pcs

C6



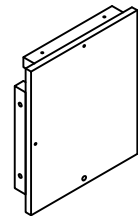
Panel-1pc

C7



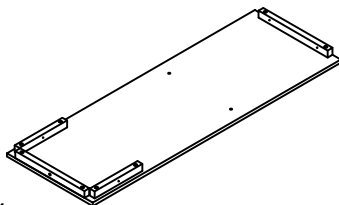
Panel-1pc

C8



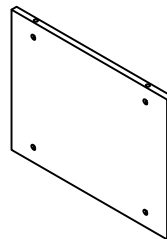
Panel-1pc

C9



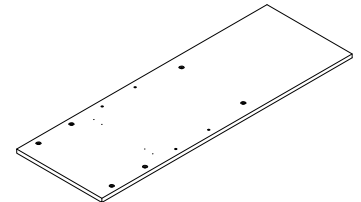
Panel-1pc

D1



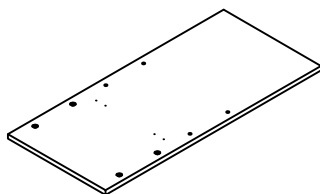
Panel-1pc

D2



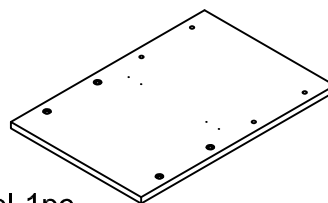
Panel-1pc

D3



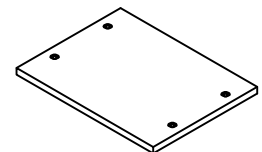
Panel-1pc

D4



Panel-1pc

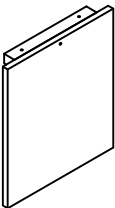
D5



Panel-1pc

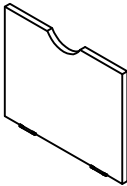
Part List & Hardware List(Box4-WF324449)

D6



Panel-6pcs

D8



Panel-3pcs

E1



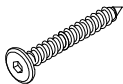
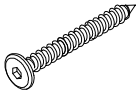

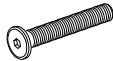
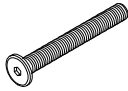
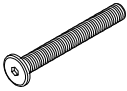
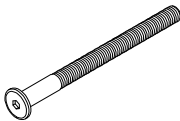
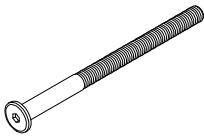
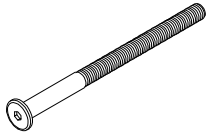
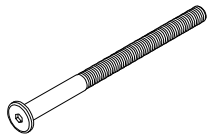
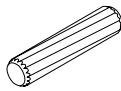
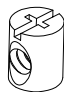

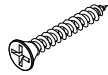
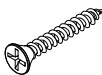
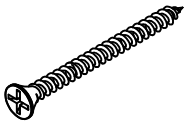
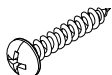
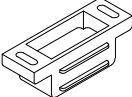
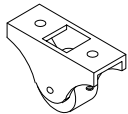
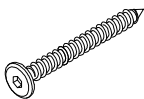

WoodBar-2pcs

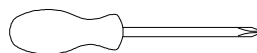
E8



WoodBar-4pcs

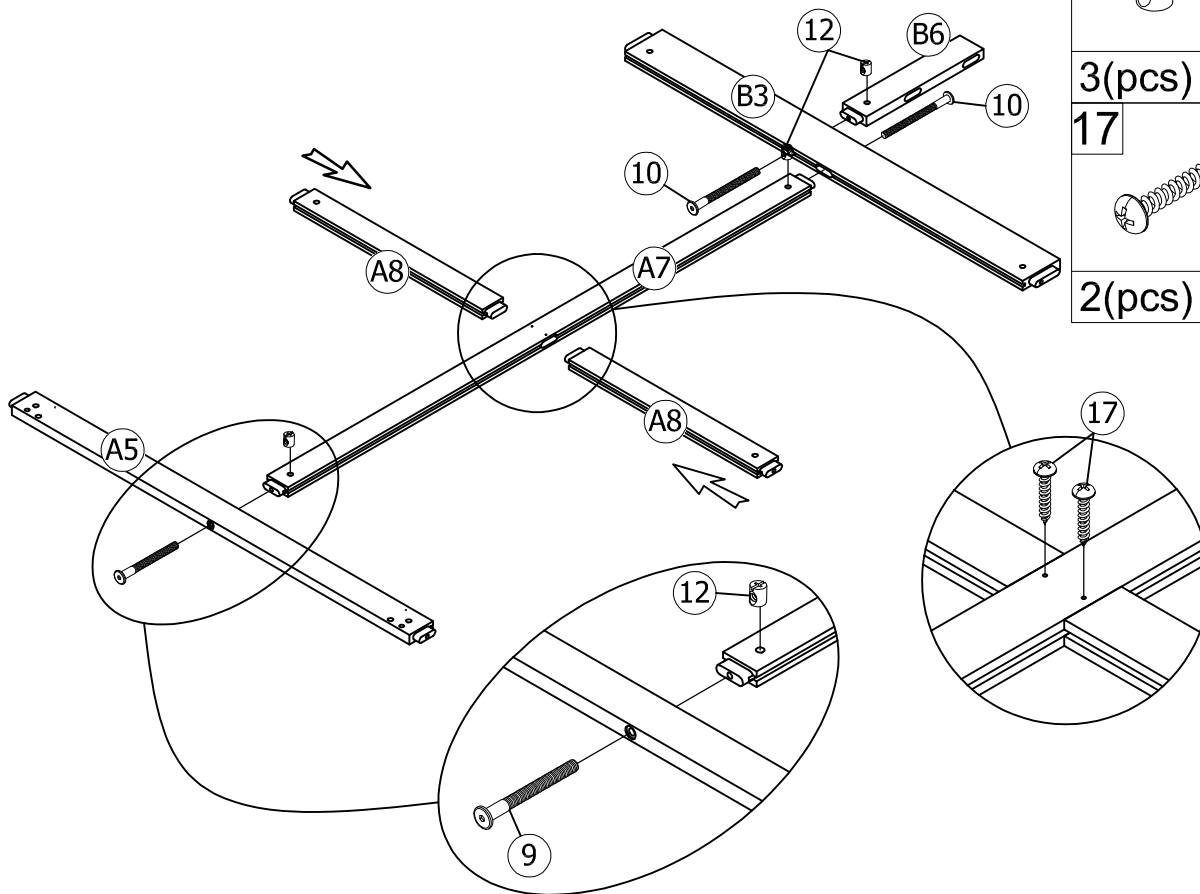
Hardware List (Box 4-WF324449)

<p>1</p>  <p>Screws 1/4" x30 58pcs</p>	<p>2</p>  <p>Screws 1/4" x40 3pcs</p>	<p>3</p>  <p>Screws 1/4" x50 1pc</p>
<p>4</p>  <p>Ø1/4" x 30 mm Hex-Head bolts 5pcs</p>	<p>5</p>  <p>Ø1/4" x 50 mm Hex-Head bolts 3pcs</p>	<p>6</p>  <p>Ø1/4" x 60 mm Hex-Head bolts 65pcs</p>
<p>7</p>  <p>Ø1/4" x 70 mm Hex-Head bolts 10pcs</p>	<p>8</p>  <p>Ø1/4" x 80 mm Hex-Head bolts 18pcs</p>	<p>9</p>  <p>Ø1/4" x 100 mm Hex-Head bolts 18pcs</p>
<p>10</p>  <p>Ø1/4" x 120 mm Hex-Head bolts 3pcs</p>	<p>11</p>  <p>Ø10 x 40 mm Wood dowel 27pcs</p>	<p>12</p>  <p>Ø1/4" x 13 mm Horizontal-Hole bolts 114pcs</p>
<p>13</p>  <p>M3 x 15 mm Wood Screws 18pcs</p>	<p>14</p>  <p>M4 x 20 mm Wood Screws 32pcs</p>	<p>15</p>  <p>M4 x 30 mm Wood Screws 36pcs</p>
<p>16</p>  <p>M4 x 50 mm Wood Screws 8pcs</p>	<p>17</p>  <p>M4 x 15 mm Wood Screws 16pcs</p>	<p>18</p>  <p>Magnet Door Catcher 6pcs</p>
<p>19</p>  <p>Wheels 16pcs</p>	<p>20</p>  <p>Screws 1/4" x60 1pc</p>	<p>21</p>  <p>Allen Key 1pc</p>



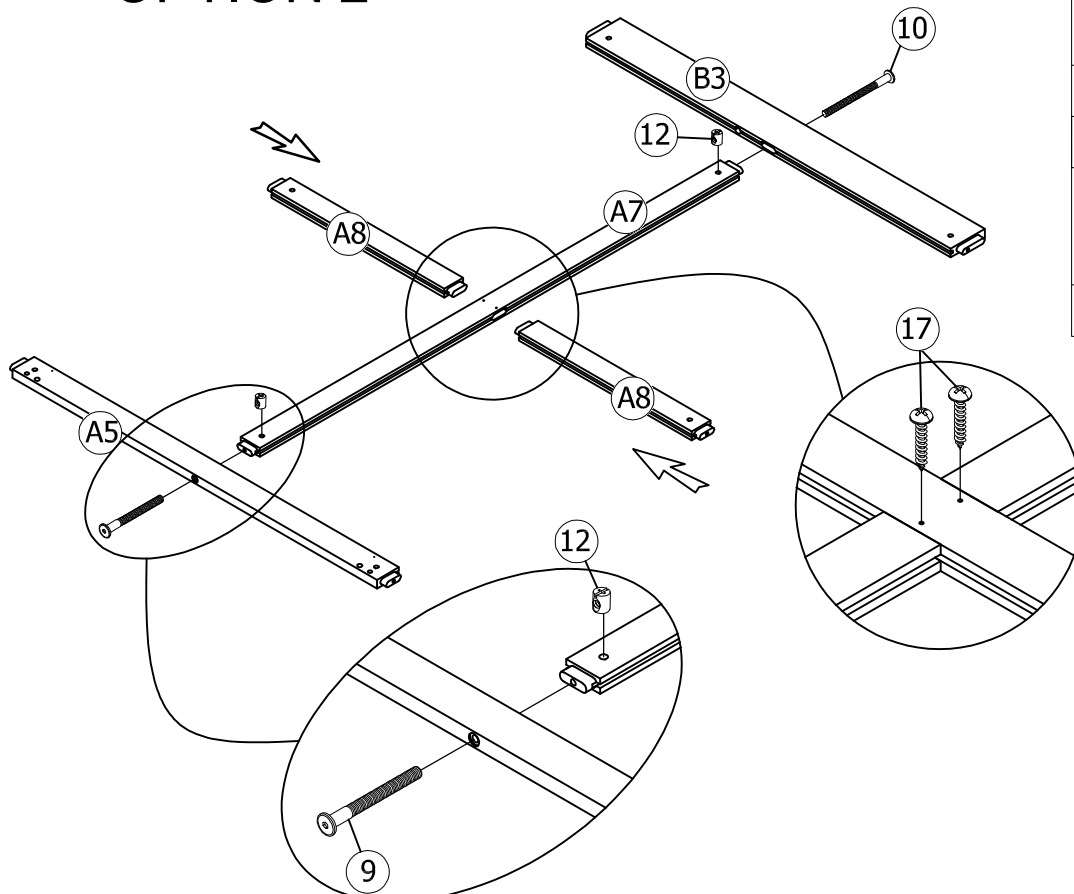
Assembly Tools Required (Not Included)

STEP1: Following below illustration.





12	9
3(pcs)	1(pc)
17	10
2(pcs)	2(pcs)

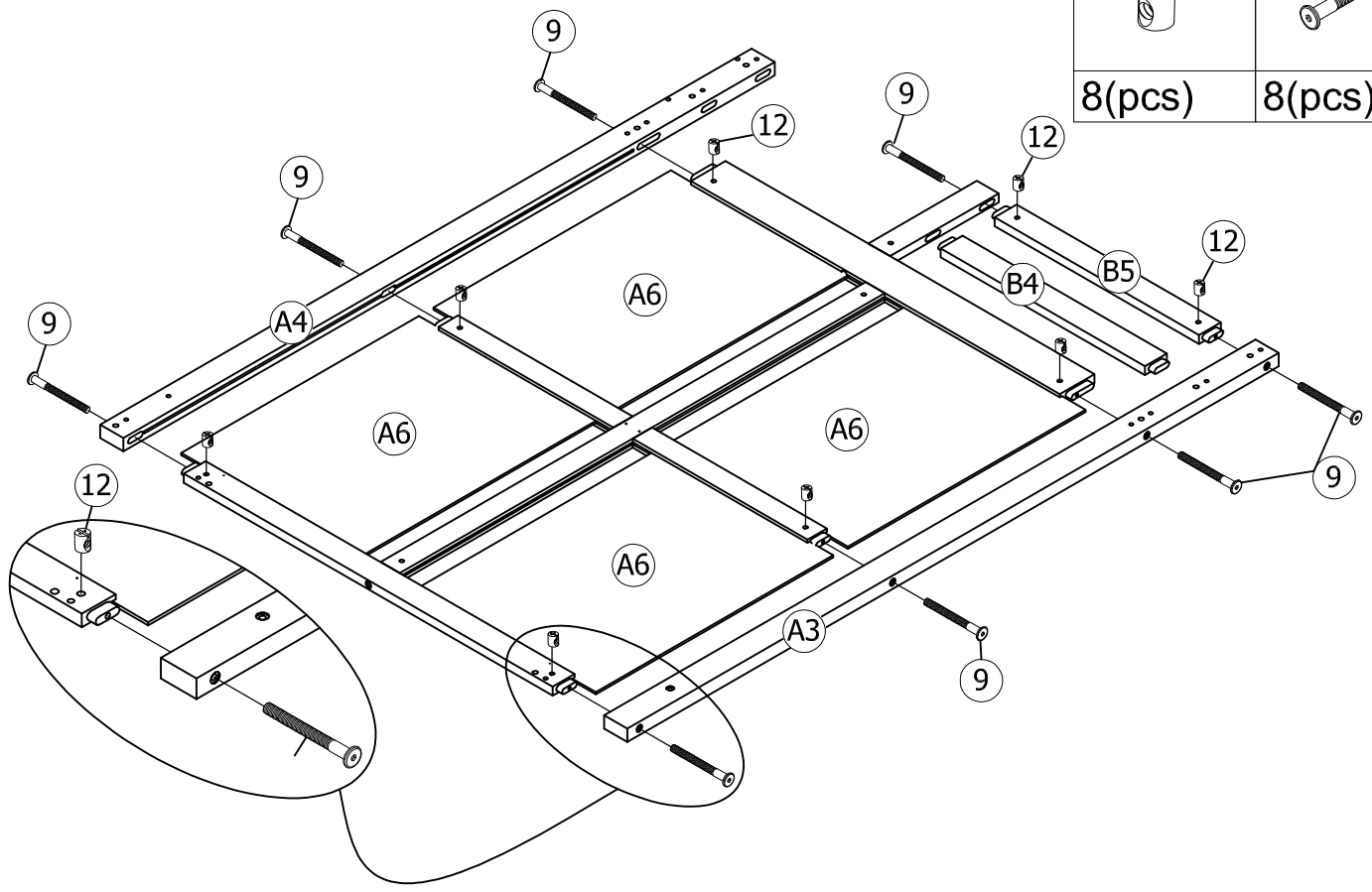
OPTION 2





12	9
2(pcs)	1(pc)
17	10
2(pcs)	1(pc)

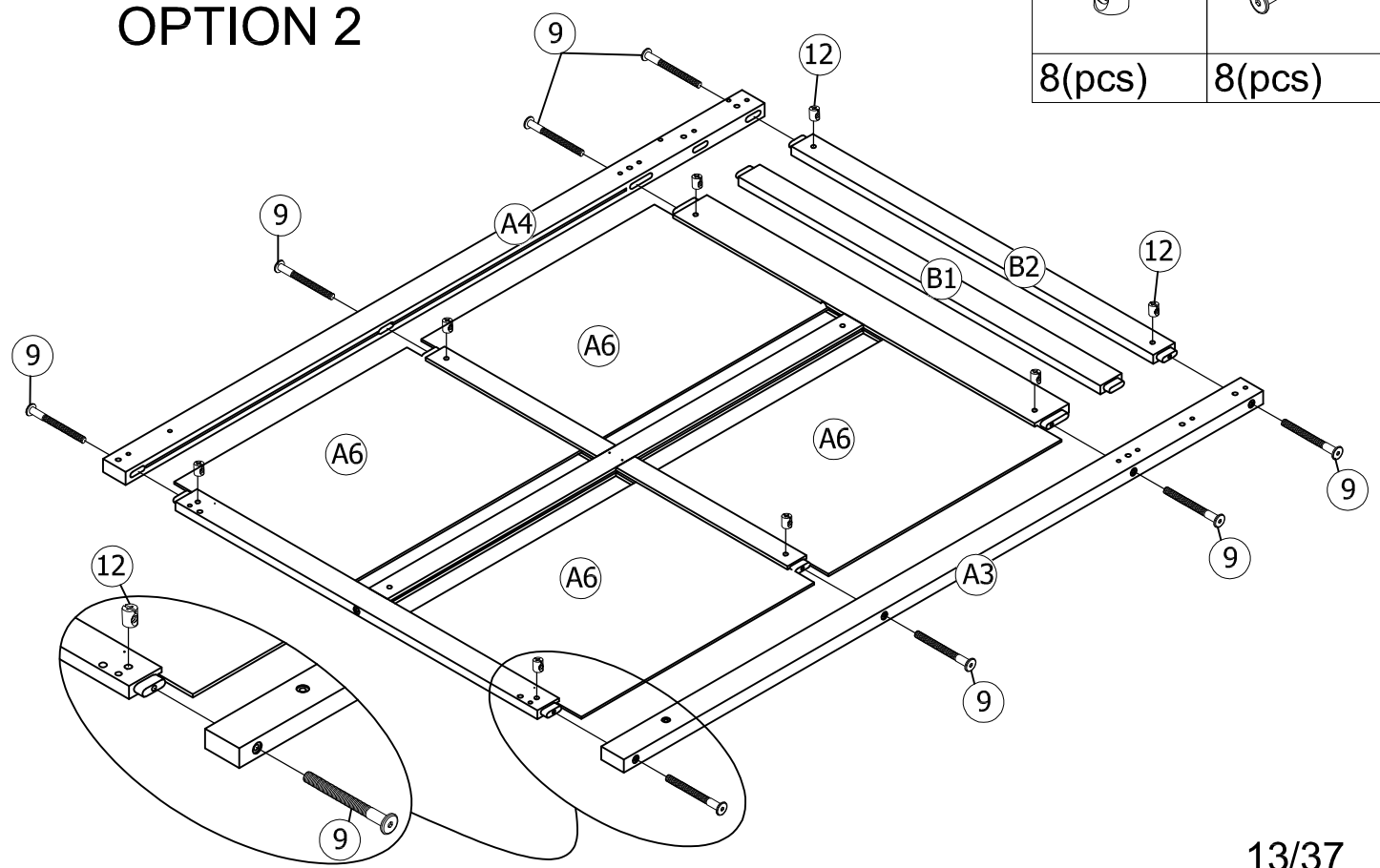
STEP2: Following below illustration.

12	9
	
8(pcs)	8(pcs)

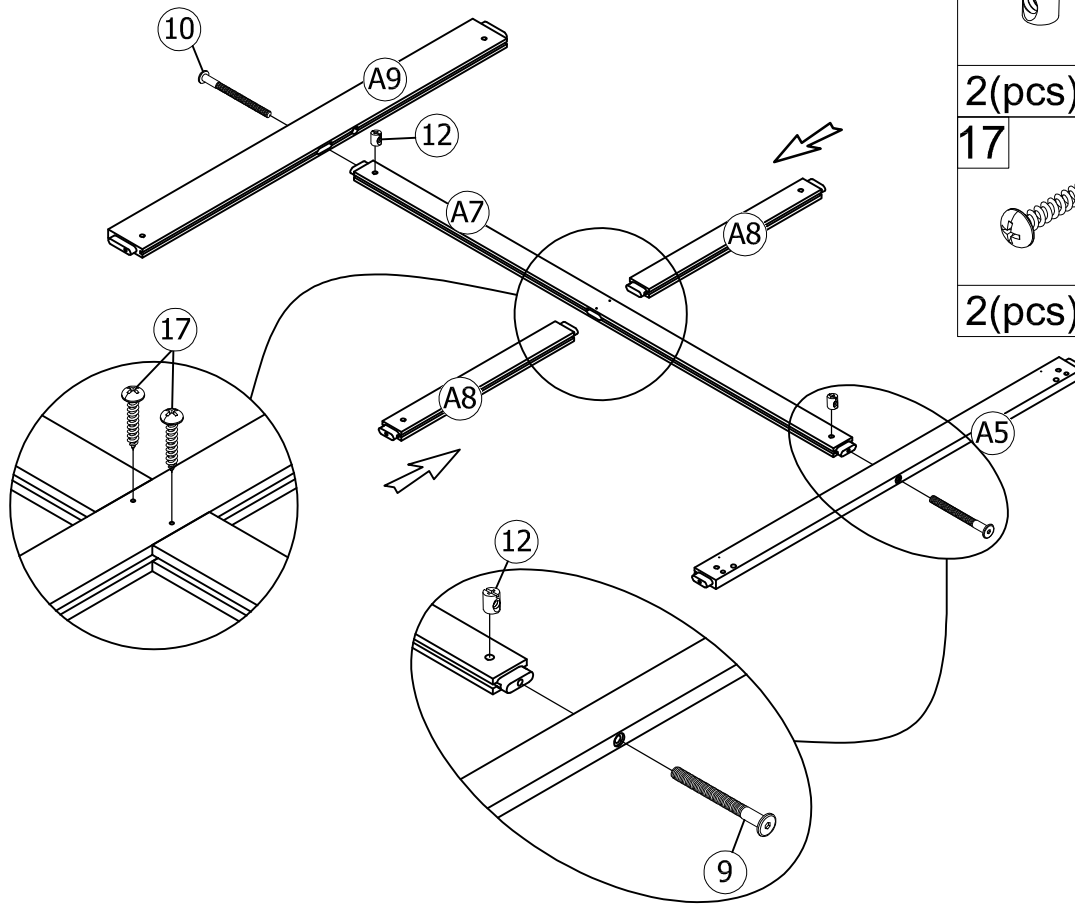


OPTION 2

12	9
	
8(pcs)	8(pcs)

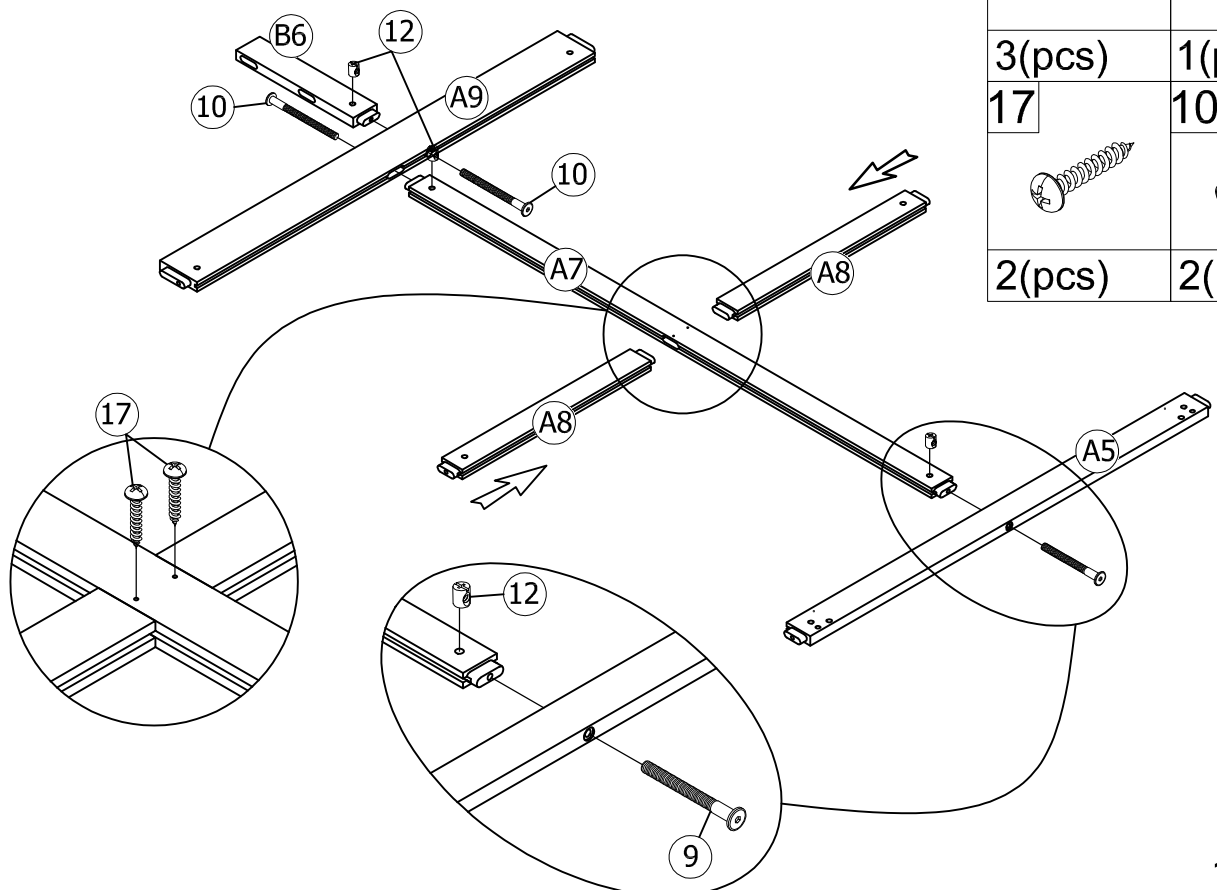


STEP3: Following below illustration.





12	9
2(pcs)	1(pc)
17	10
2(pcs)	1(pc)

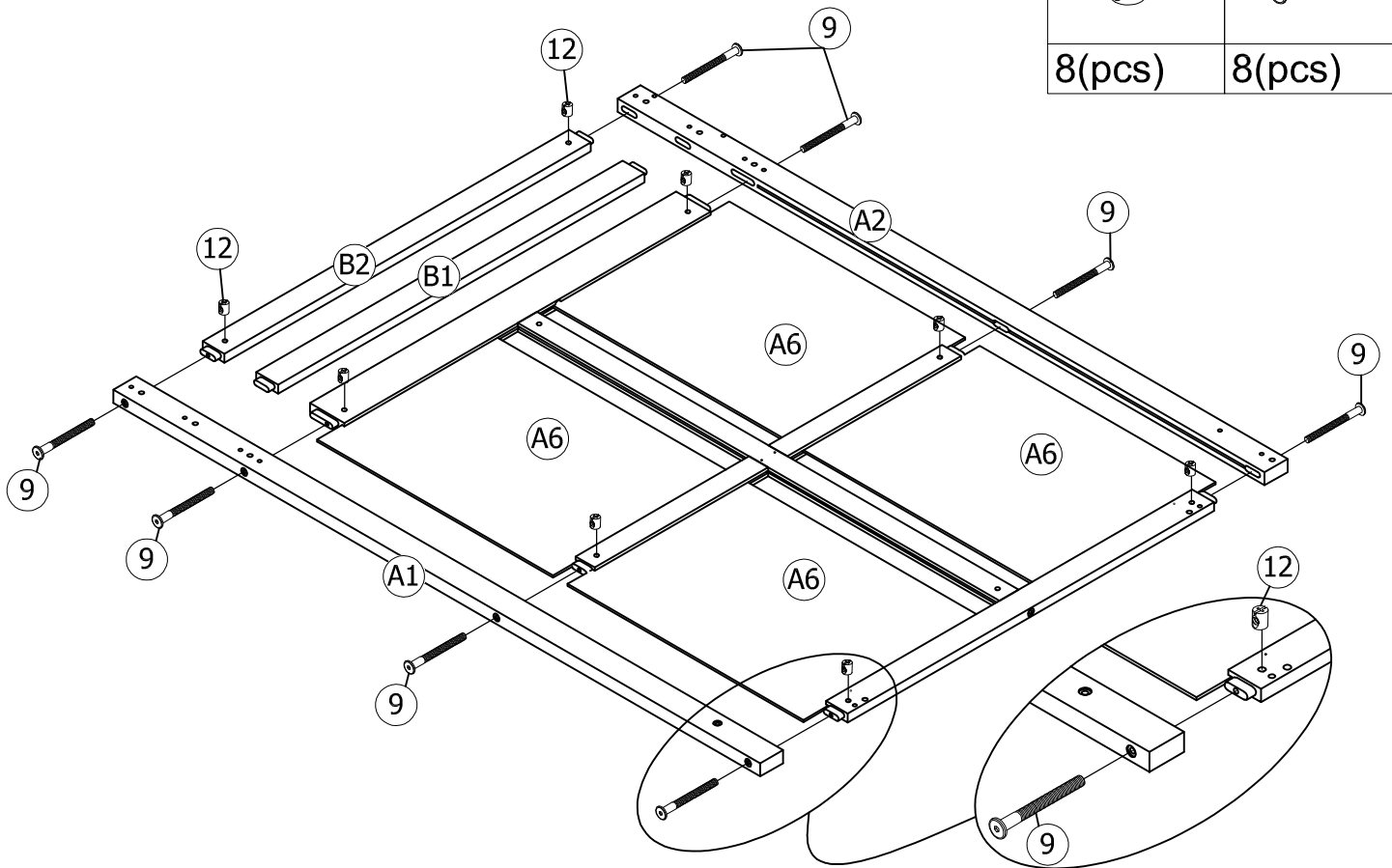
OPTION 2





12	9
3(pcs)	1(pc)
17	10
2(pcs)	2(pcs)

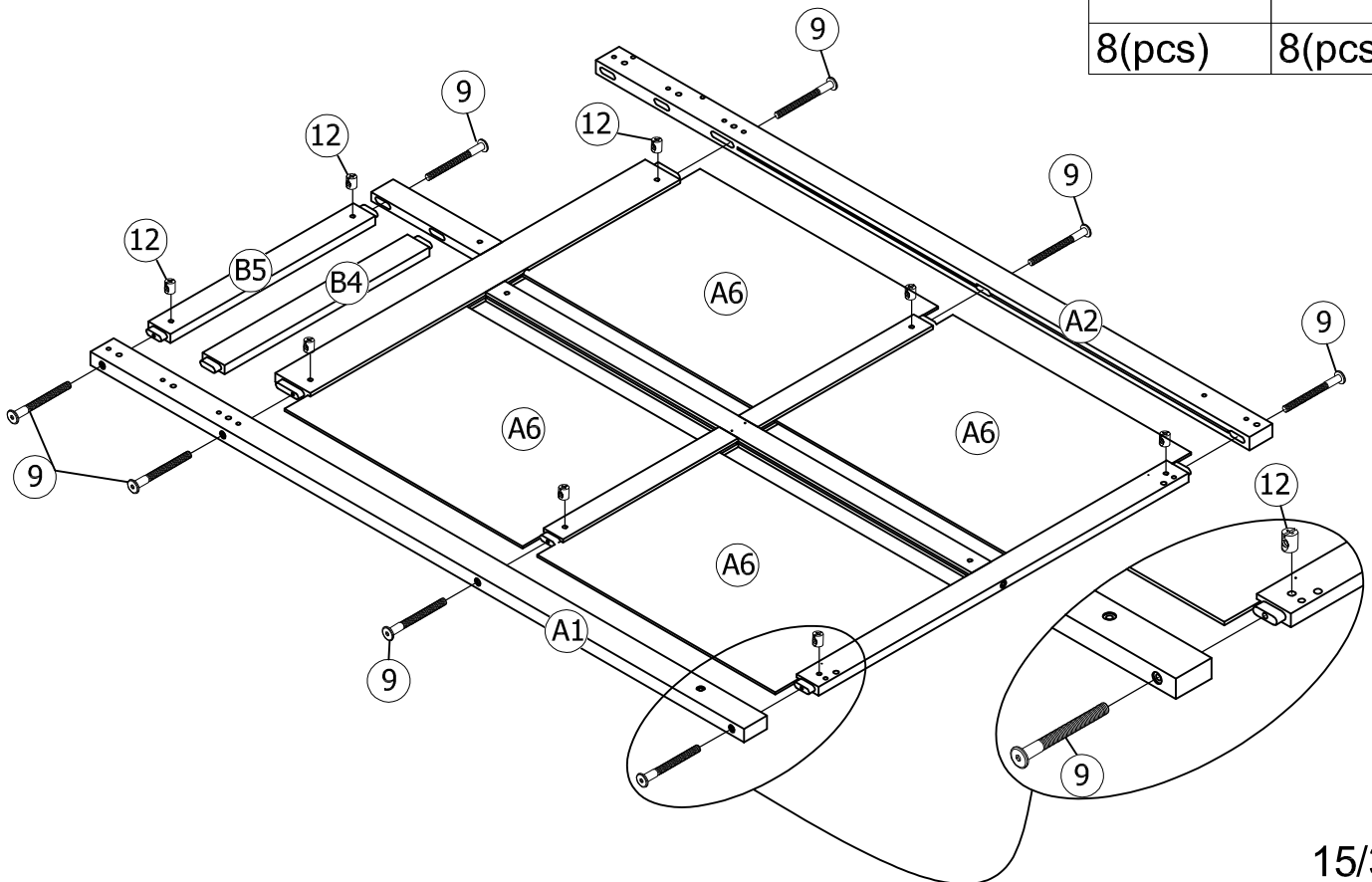
STEP4: Following below illustration.

12	9
	
8(pcs)	8(pcs)

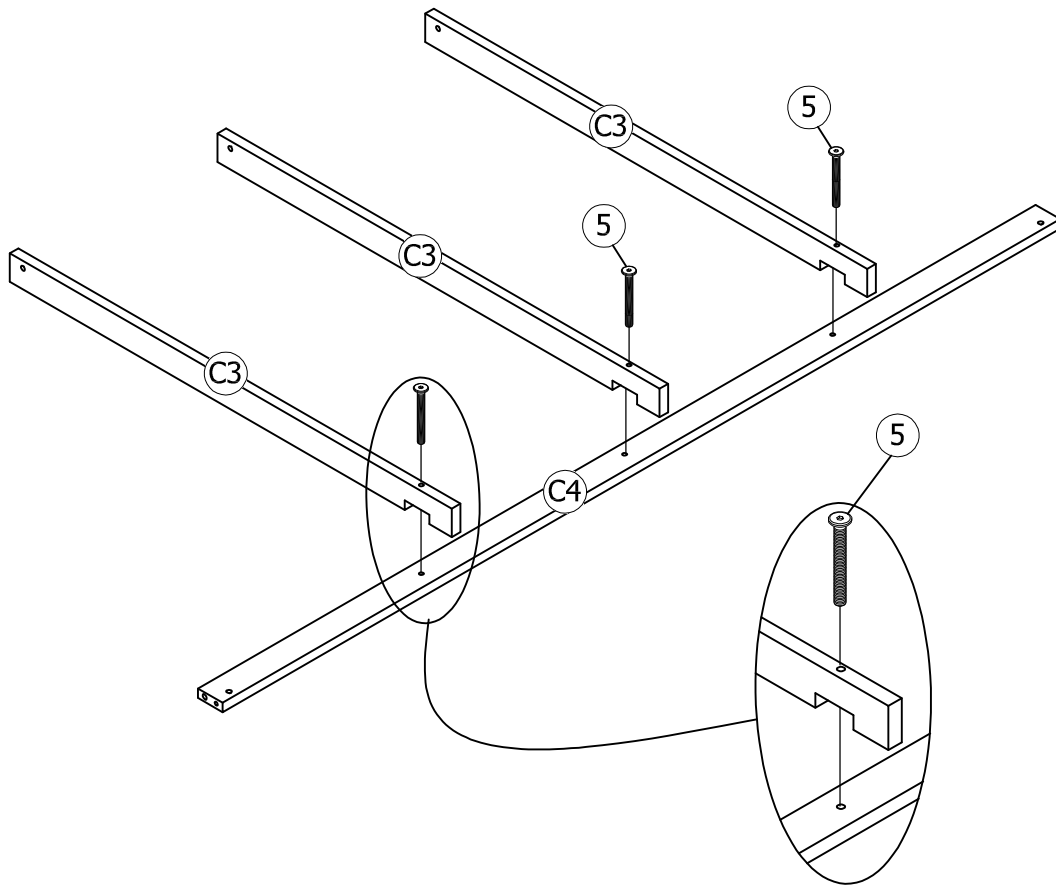



OPTION 2

12	9
	
8(pcs)	8(pcs)

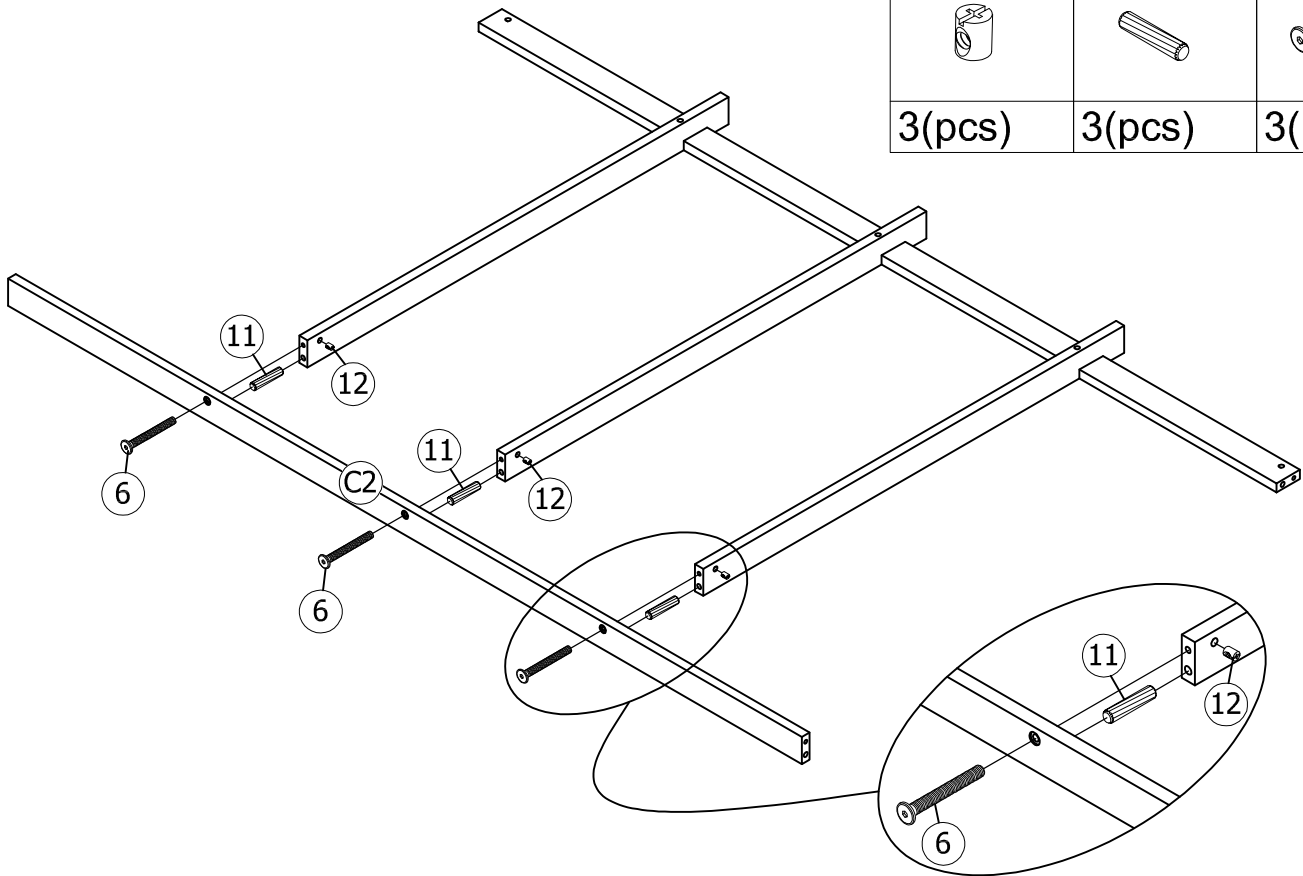



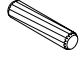

STEP5: Following below illustration.



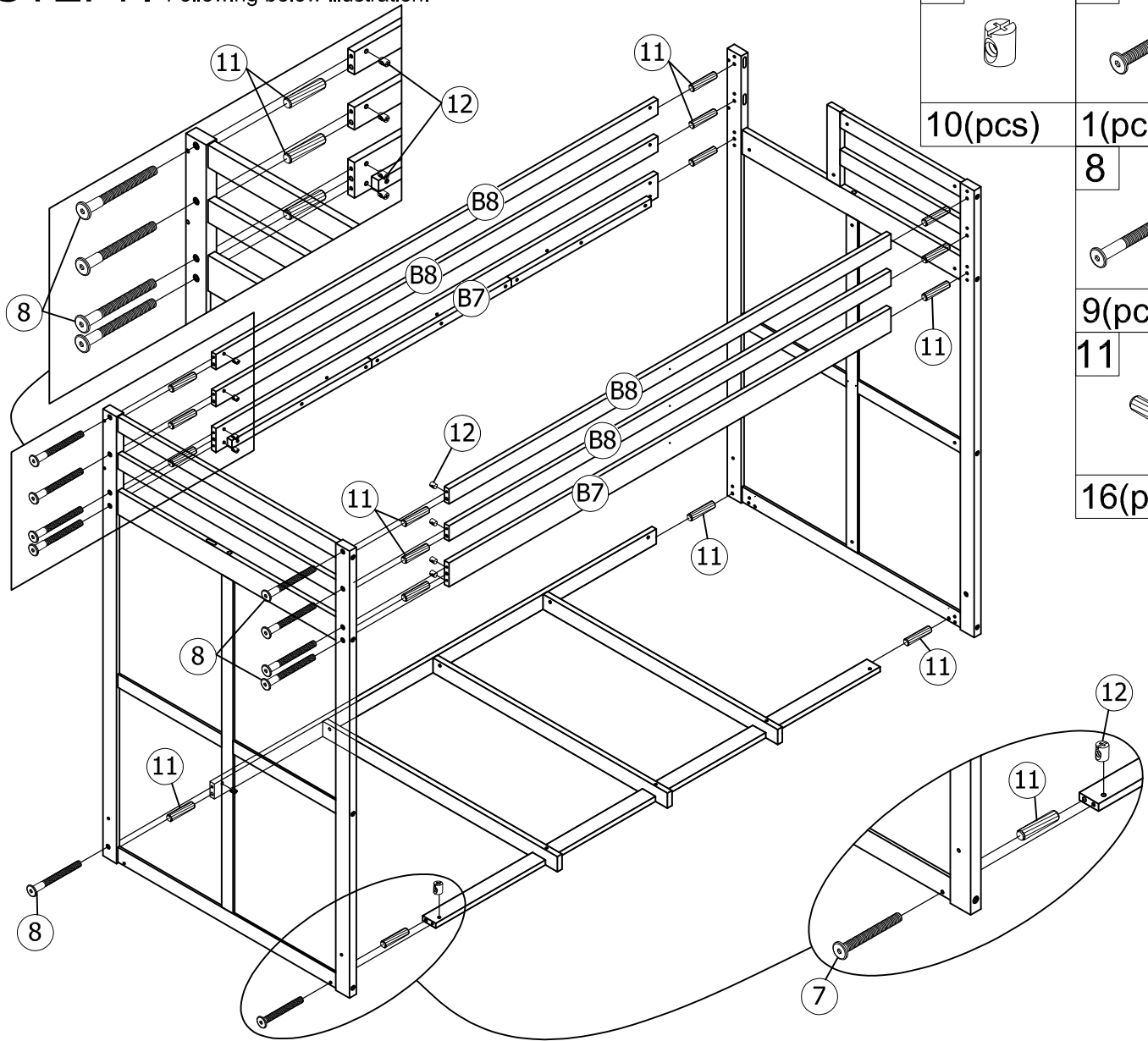
5

3(pcs)




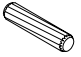
STEP6: Following below illustration.



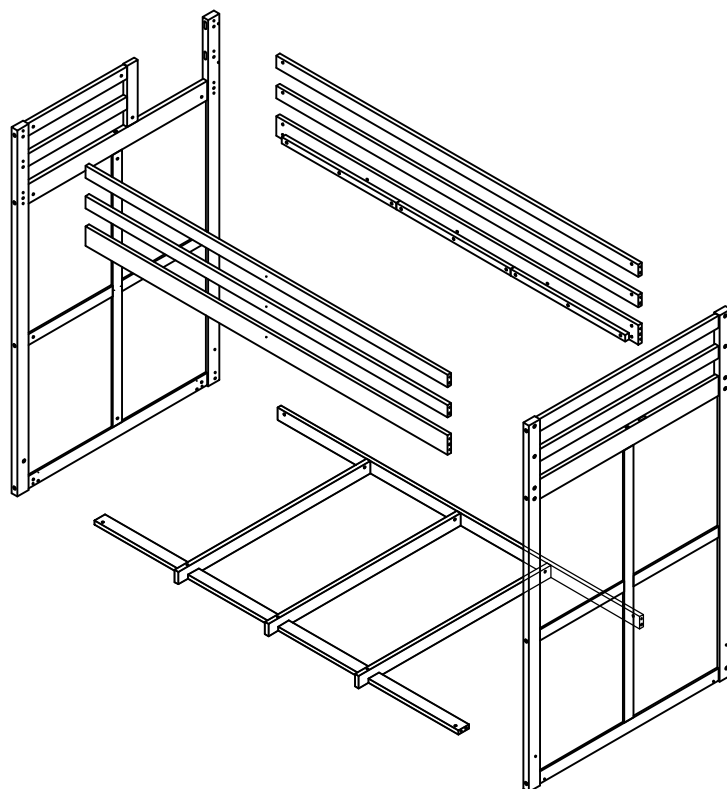
12	11	6
		
3(pcs)	3(pcs)	3(pcs)

STEP 7: Following below illustration.

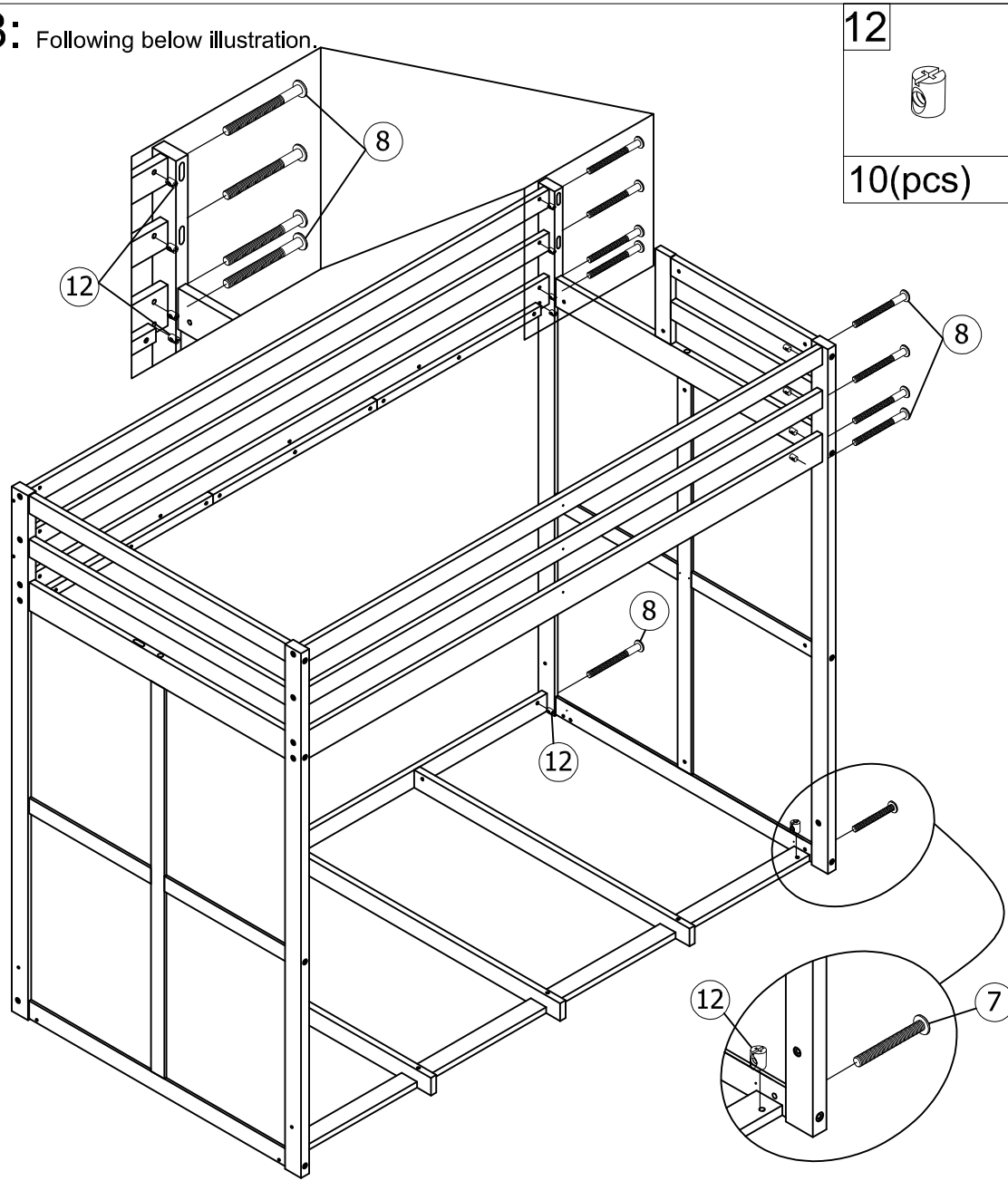





12		7	
10(pcs)		1(pc)	
		8	
		9(pcs)	
		11	
		16(pcs)	

OPTION 2

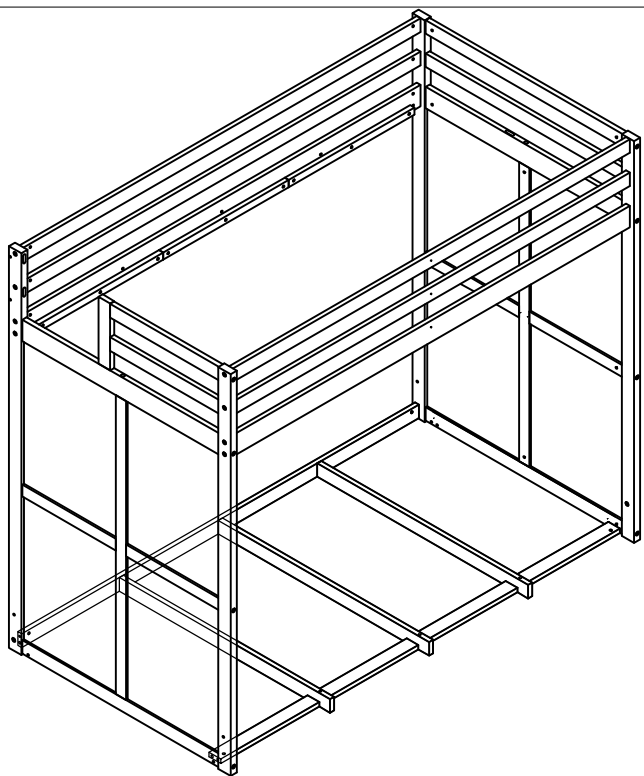


STEP 8: Following below illustration.

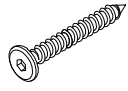


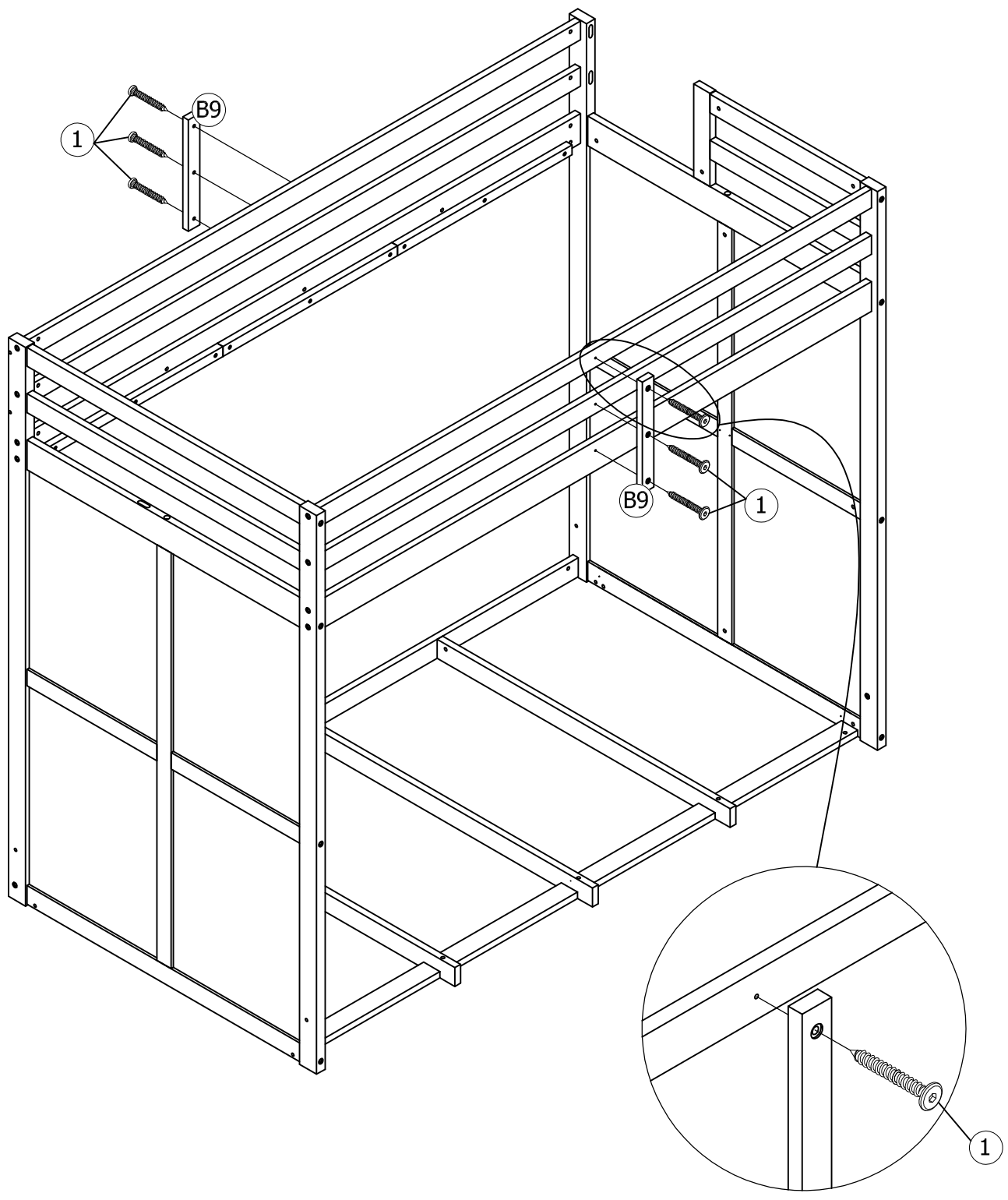
<p>12</p> 	<p>7</p> 
<p>10(pcs)</p>	<p>1(pc)</p>
<p>8</p> 	<p>9(pcs)</p>

OPTION 2





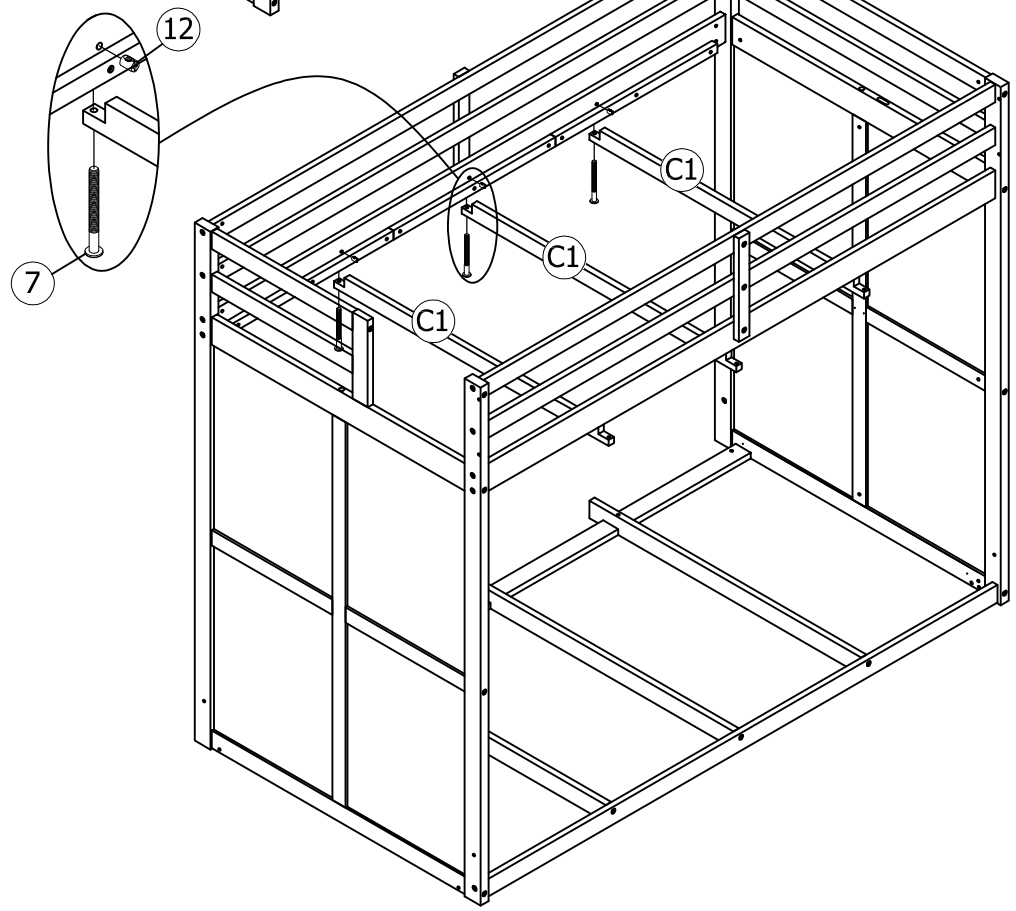
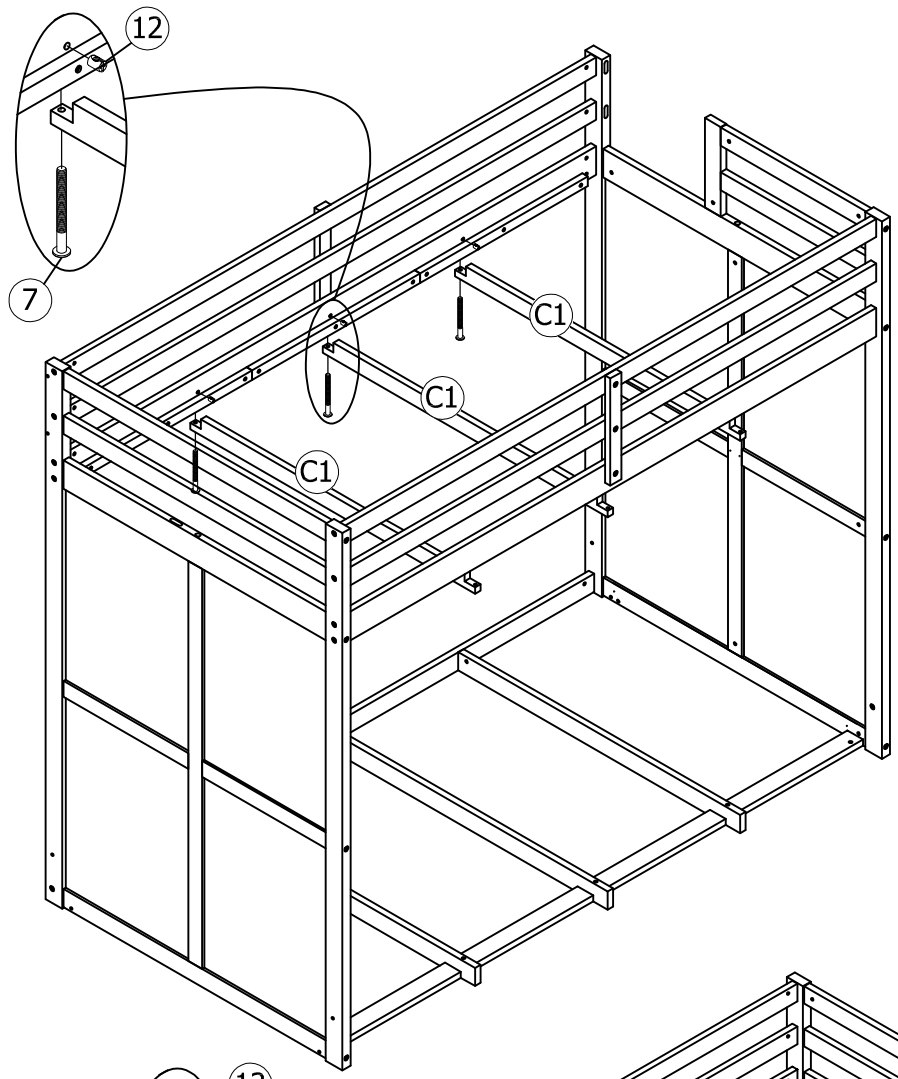
STEP9: Following below illustration.

1

6(pcs)





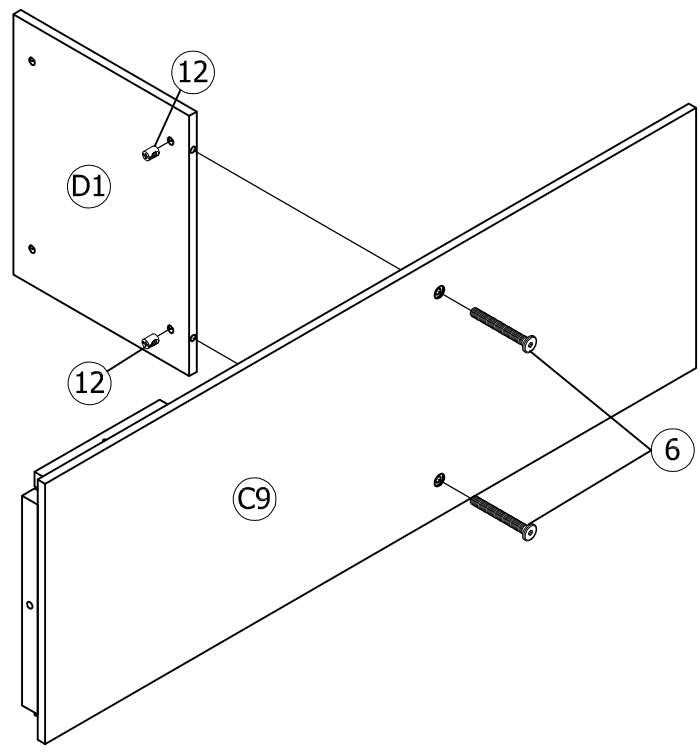
STEP10: Following below illustration.

12	7
	
6(pcs)	6(pcs)




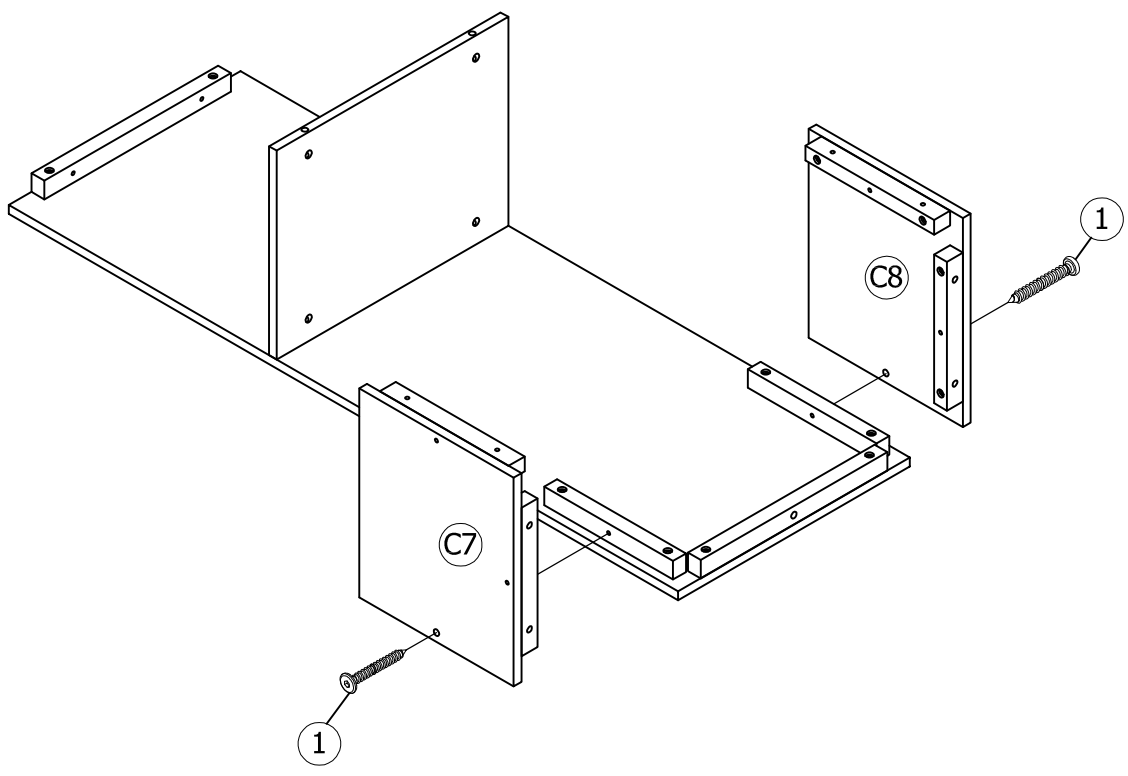
STEP11: Following below illustration.

12	6
	
2(pcs)	2(pcs)

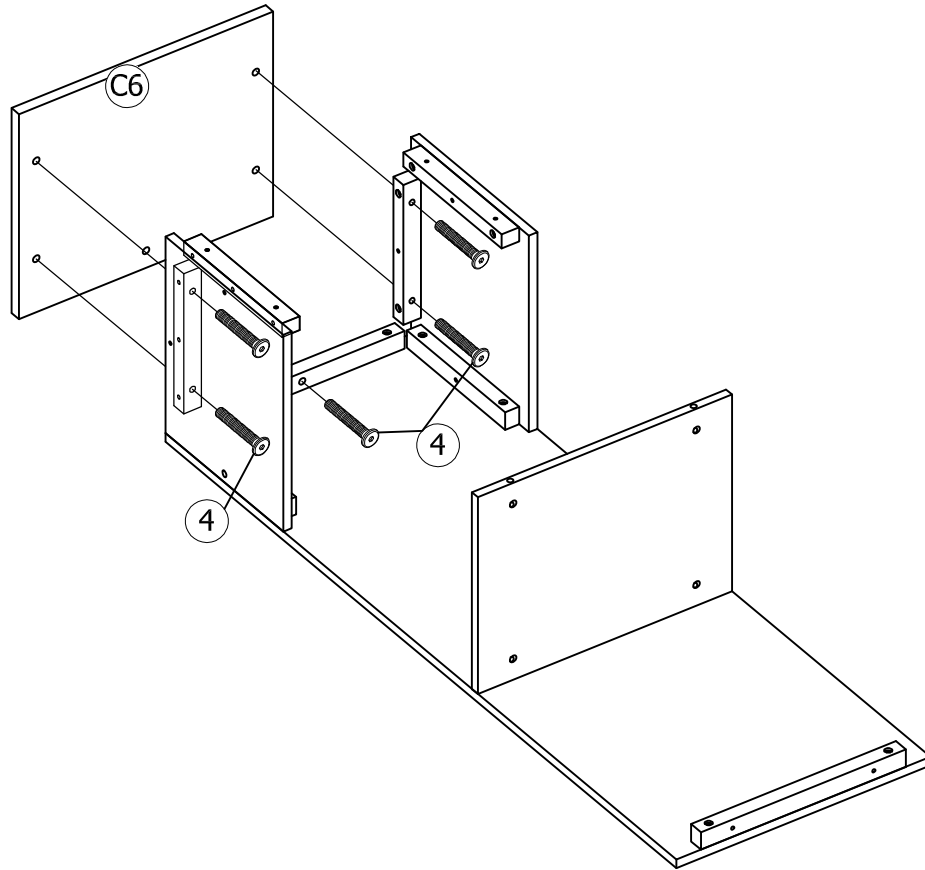


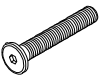
STEP12: Following below illustration.

1

2(pcs)

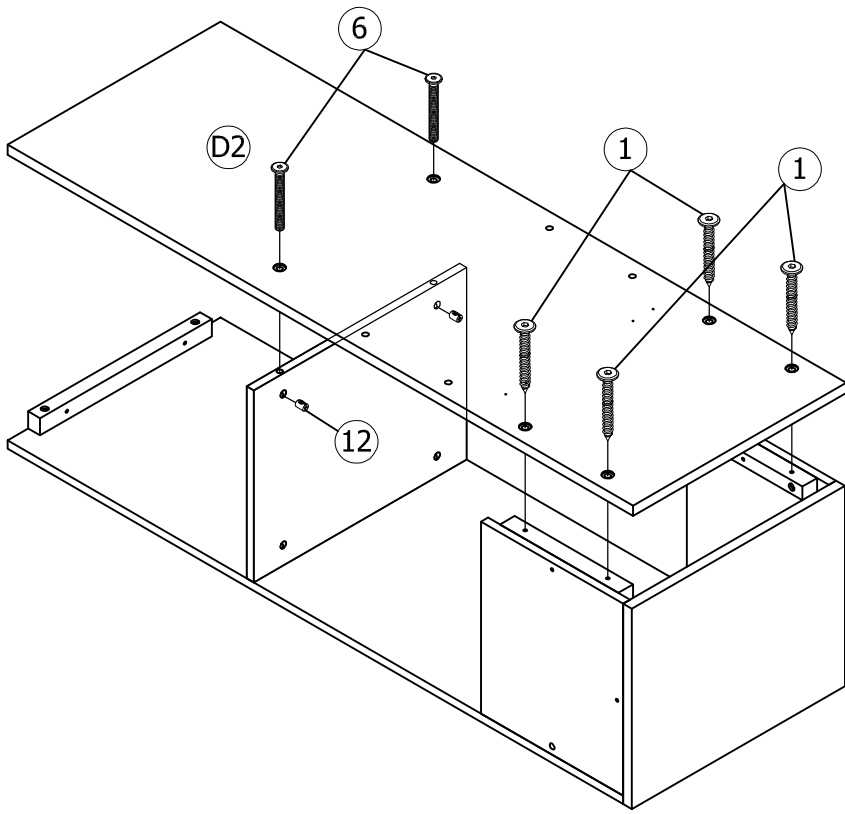




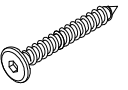
STEP13: Following below illustration.



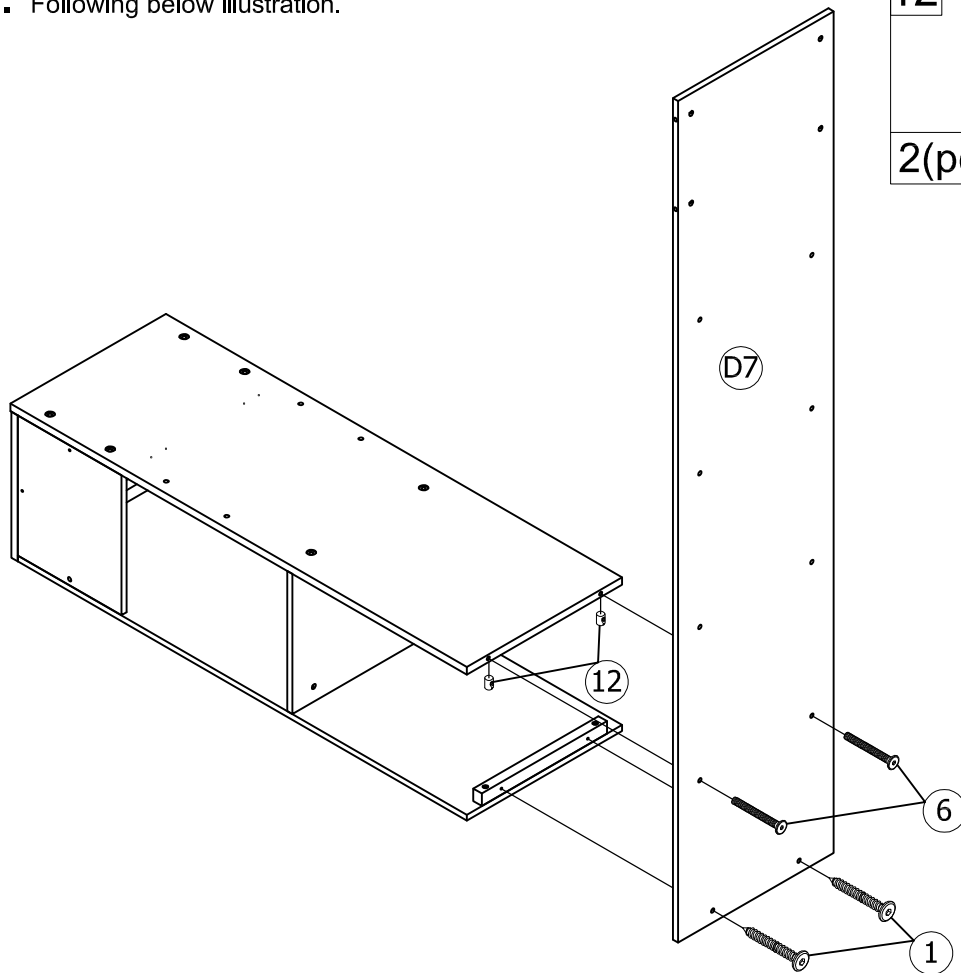
4	
5(pcs)	



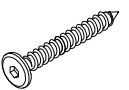
STEP14: Following below illustration.



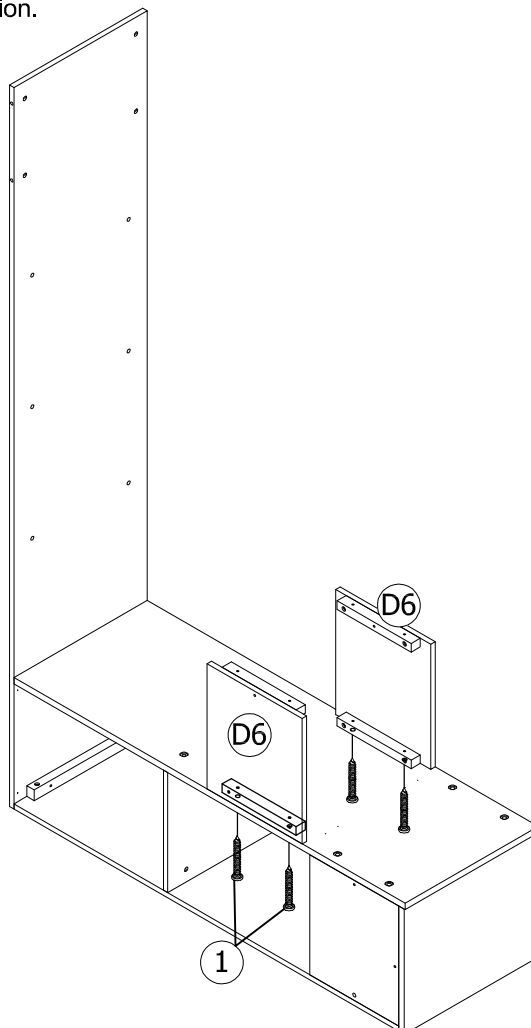
12		6	
2(pcs)		2(pcs)	
		1	
		4(pcs)	

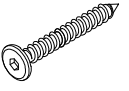
STEP15: Following below illustration.



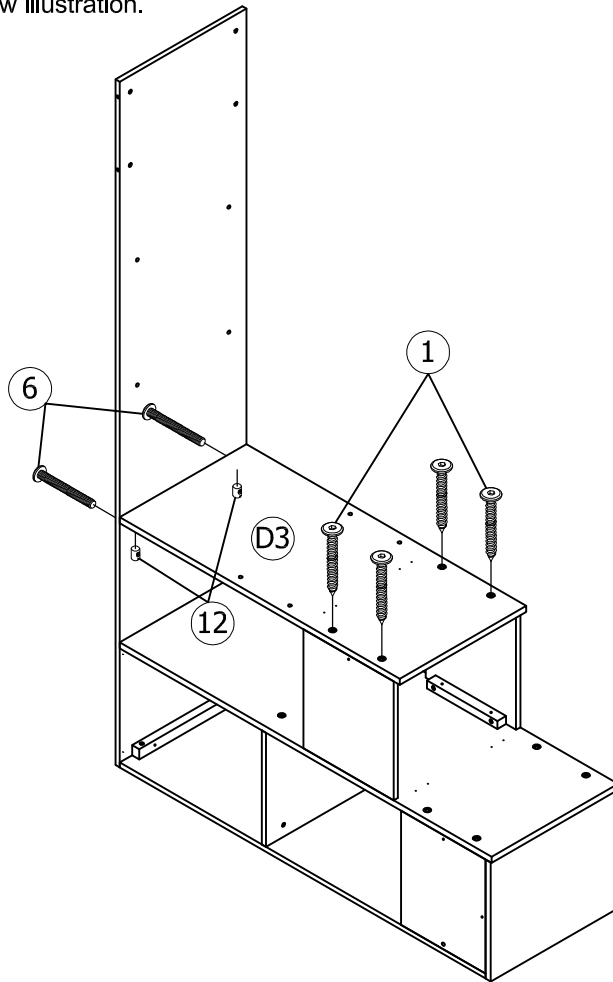
12		6	
2(pcs)		2(pcs)	
		1	
		2(pcs)	



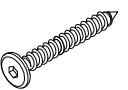
STEP16: Following below illustration.



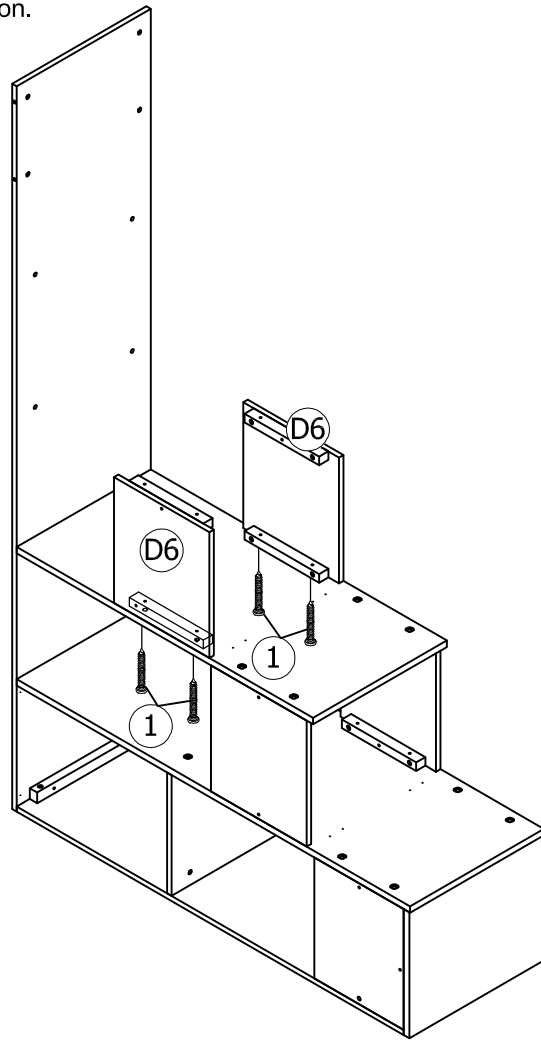
1	
4(pcs)	

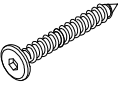
STEP17: Following below illustration.



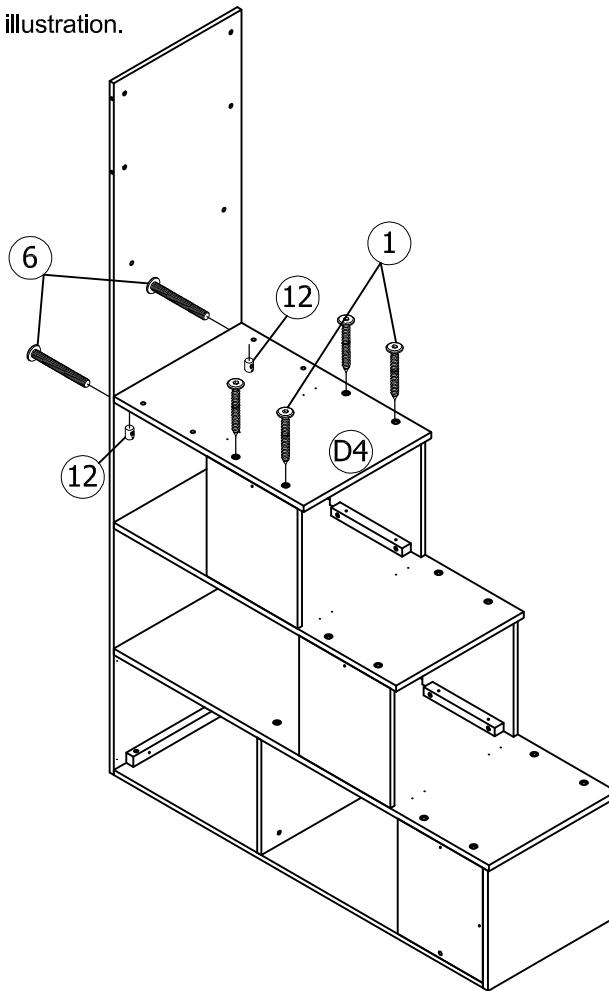
12		6	
2(pcs)		2(pcs)	
		1	
		4(pcs)	



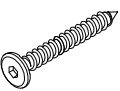
STEP18: Following below illustration.



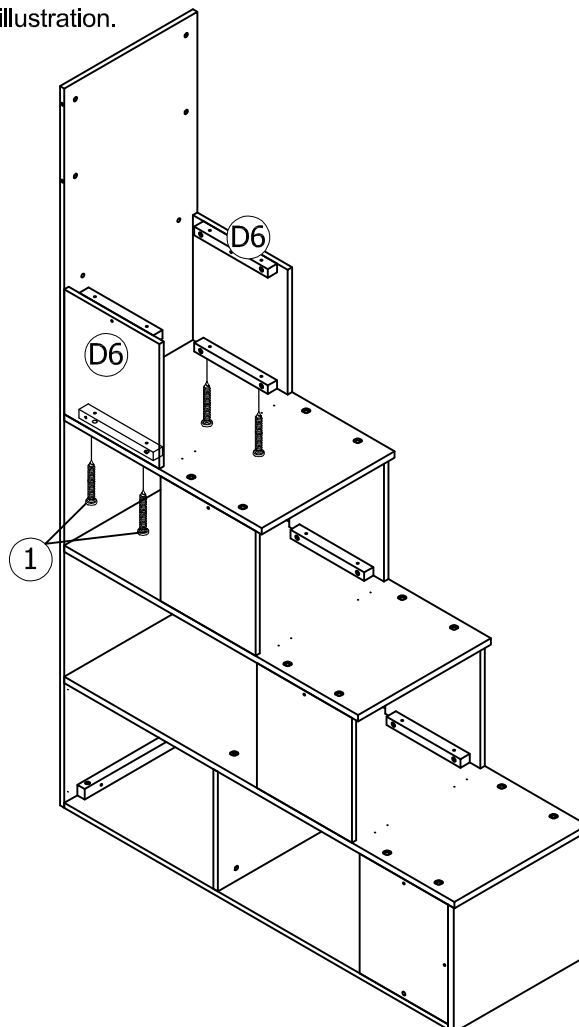
1	
4(pcs)	

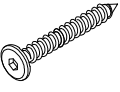
STEP19: Following below illustration.



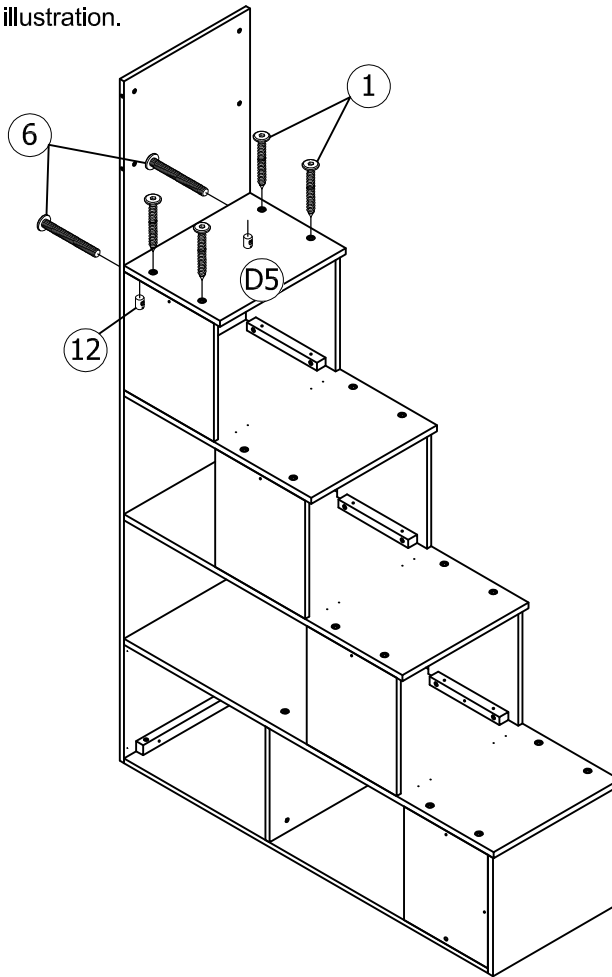
12		6	
2(pcs)		2(pcs)	
		1	
		4(pcs)	



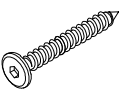
STEP20: Following below illustration.



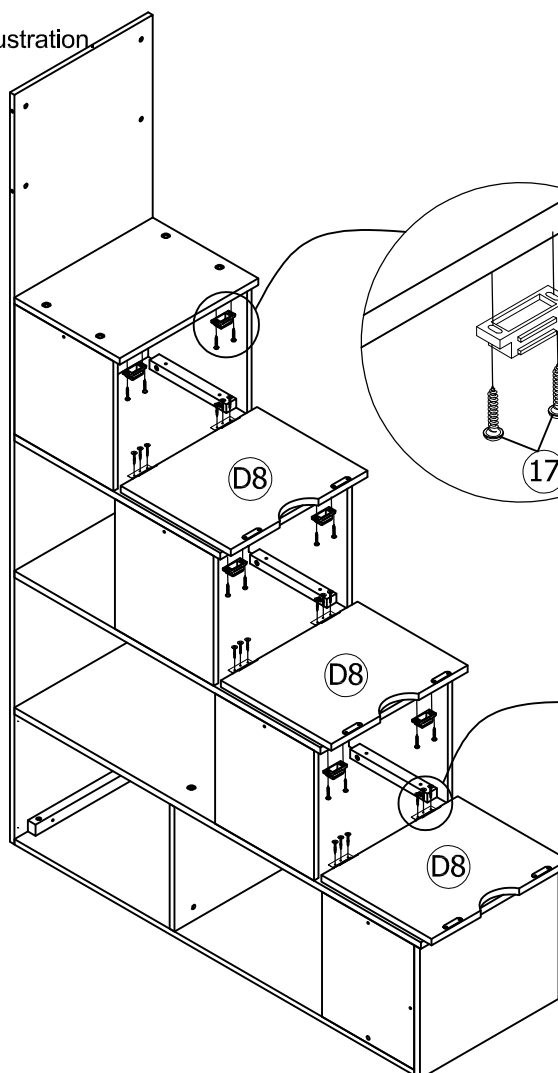
1	
4(pcs)	

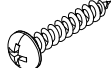

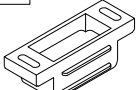
STEP21: Following below illustration.



12		6	
2(pcs)		2(pcs)	
		1	
		4(pcs)	

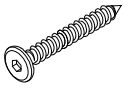
STEP22: Following below illustration.



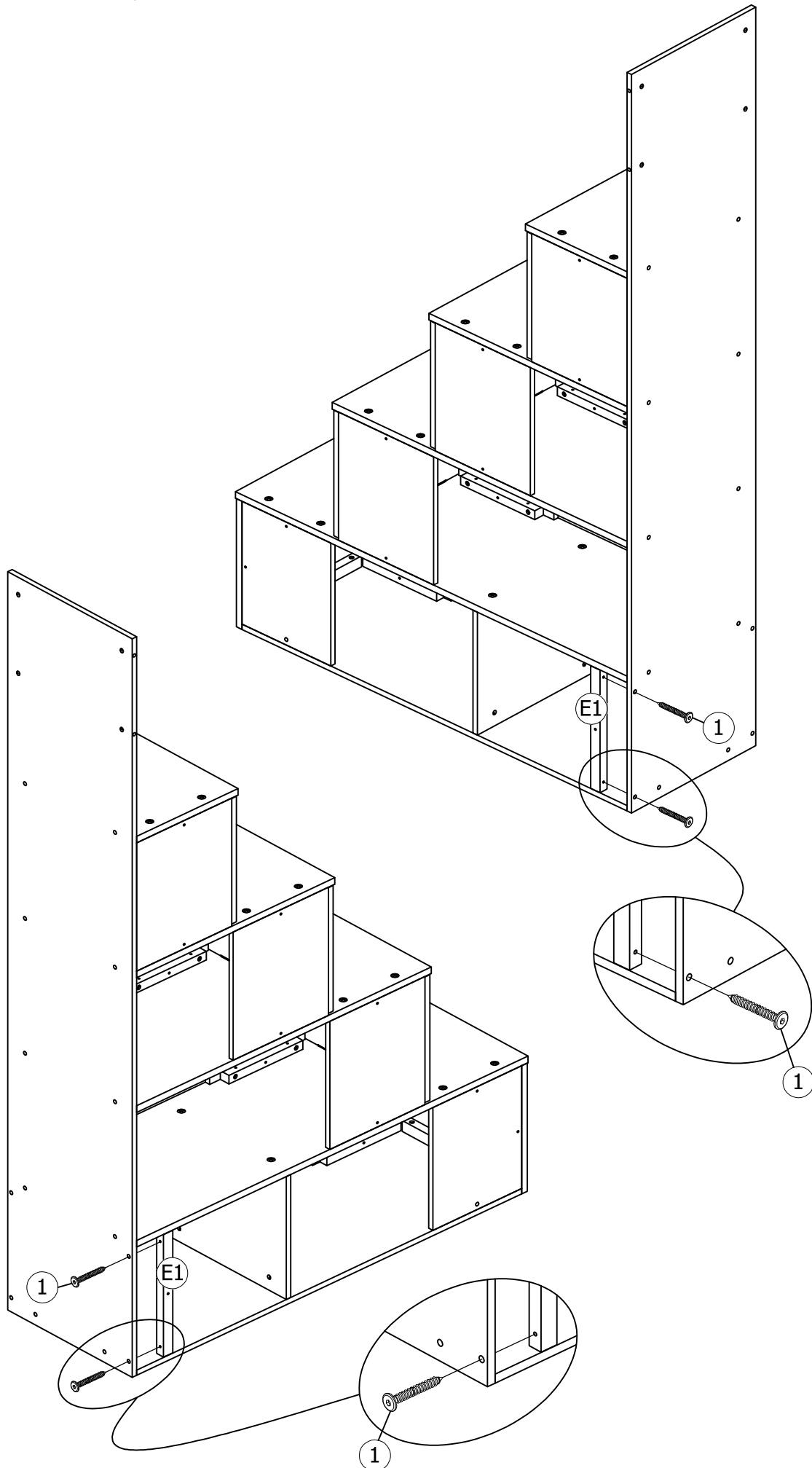
17		13	
12(pcs)		18(pcs)	
		18	
		6(pcs)	

STEP23: Following below illustration.

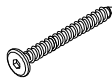


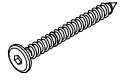
1

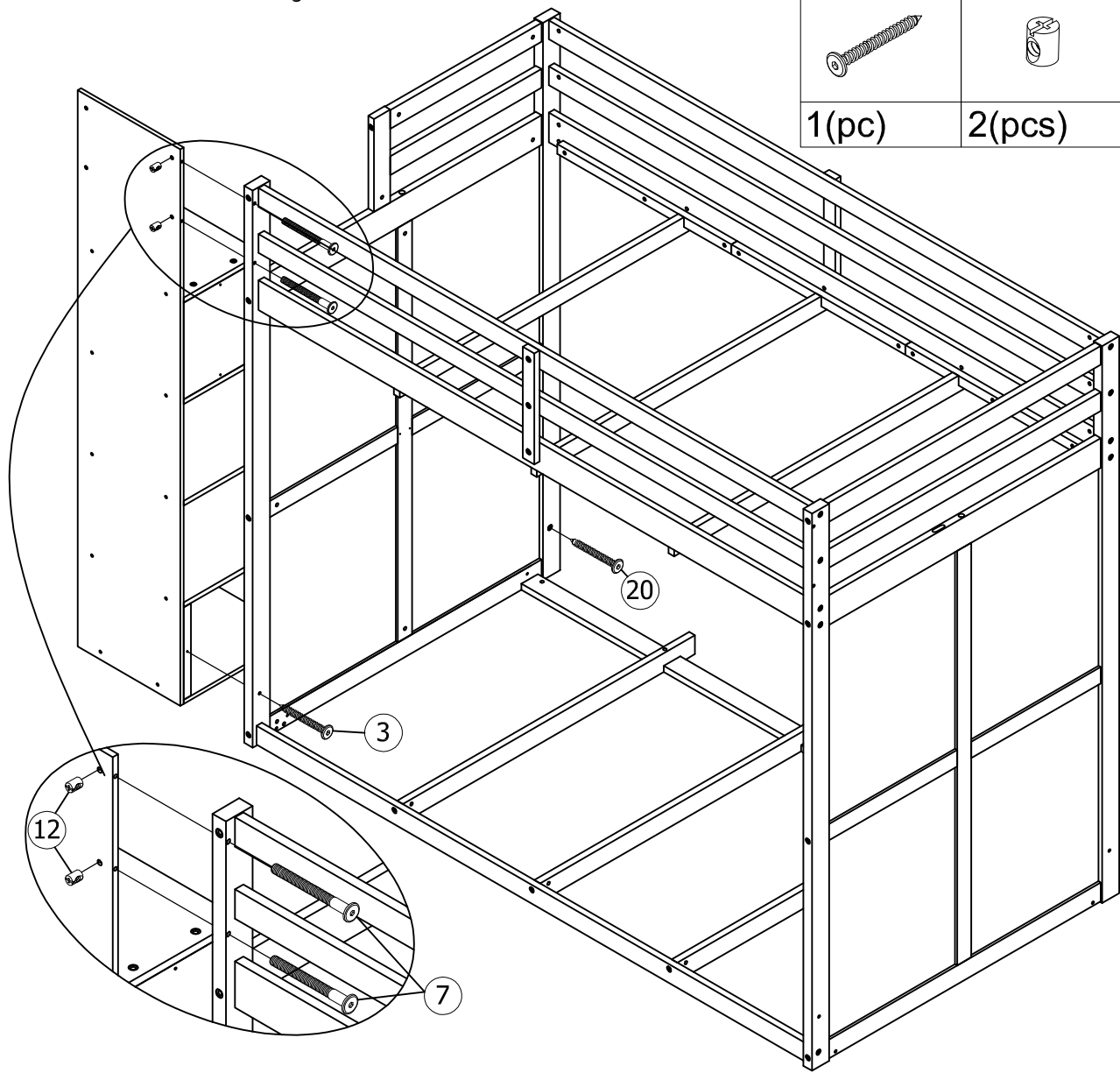


4(pcs)

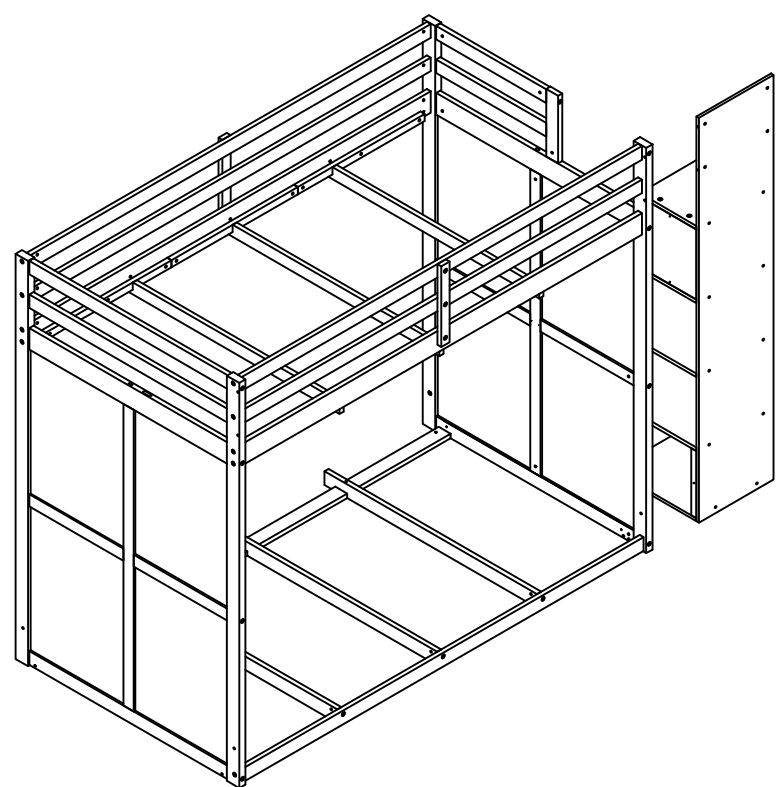


STEP24: Following below illustration.

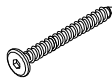


<p>3</p> 	<p>12</p> 	<p>7</p> 
<p>1(pc)</p>	<p>2(pcs)</p>	<p>2(pcs)</p>
<p>20</p>		
		
<p>1(pc)</p>		

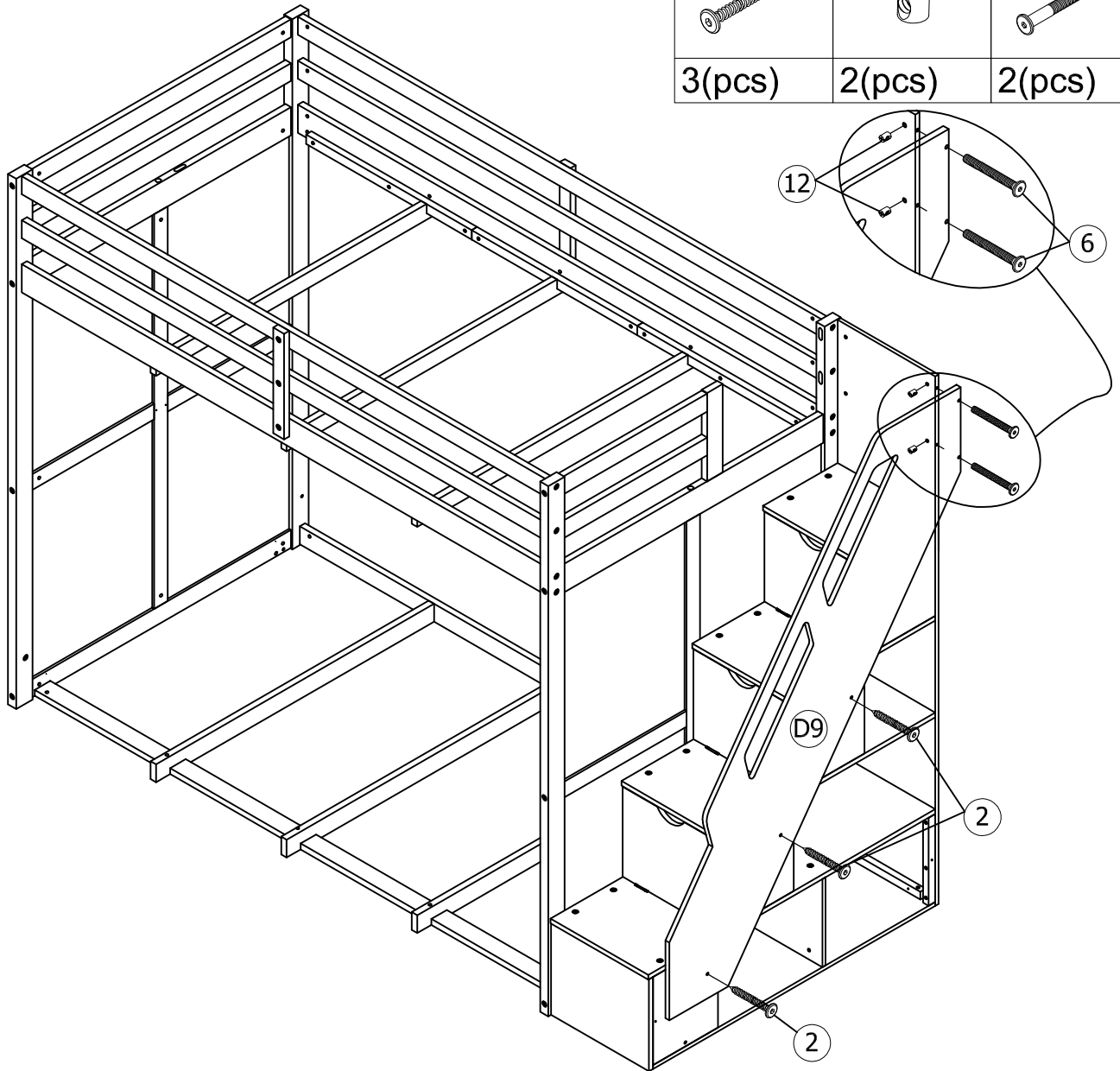


OPTION 2

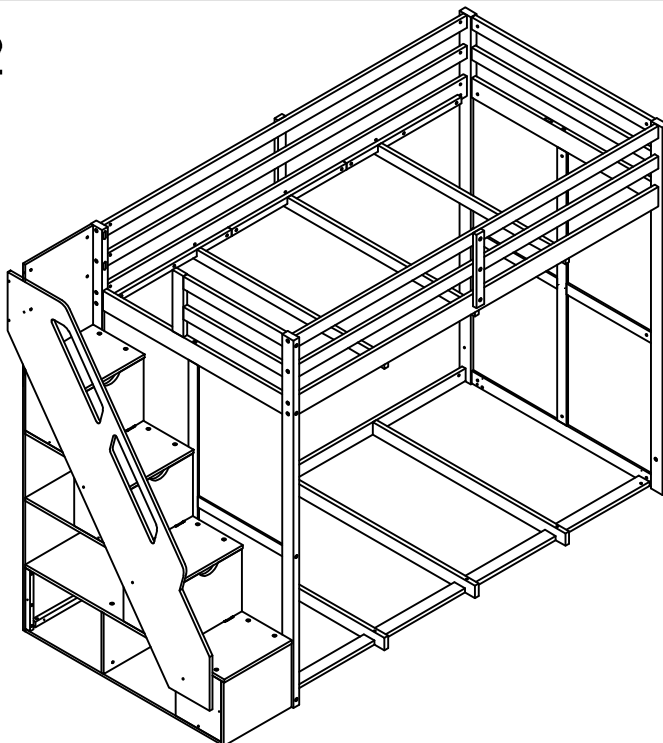


STEP25: Following below illustration.

2	12	6
		
3(pcs)	2(pcs)	2(pcs)

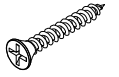


OPTION 2

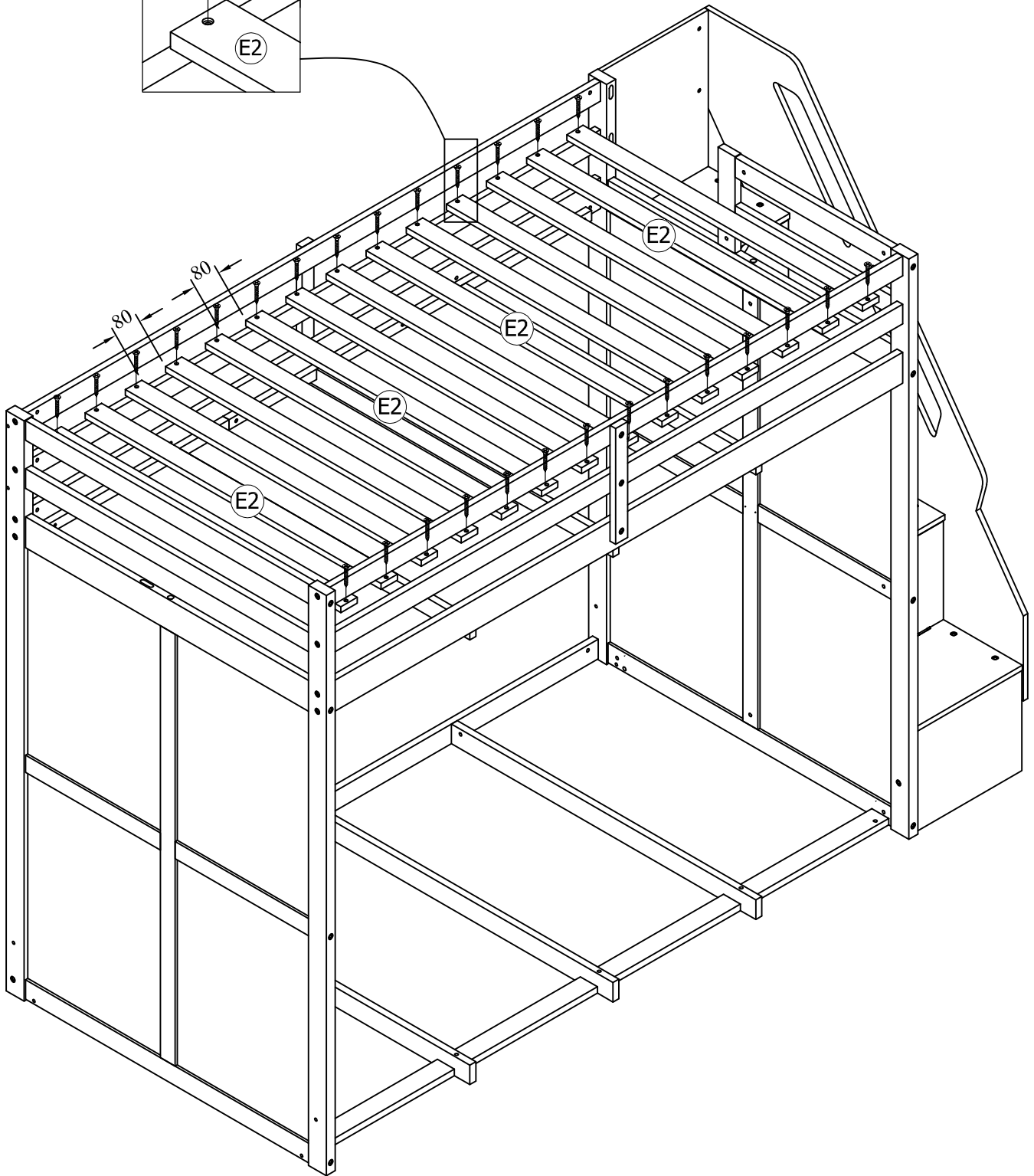
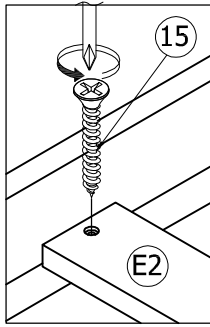


STEP26: Following below illustration.

15

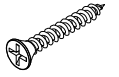


28(pcs)

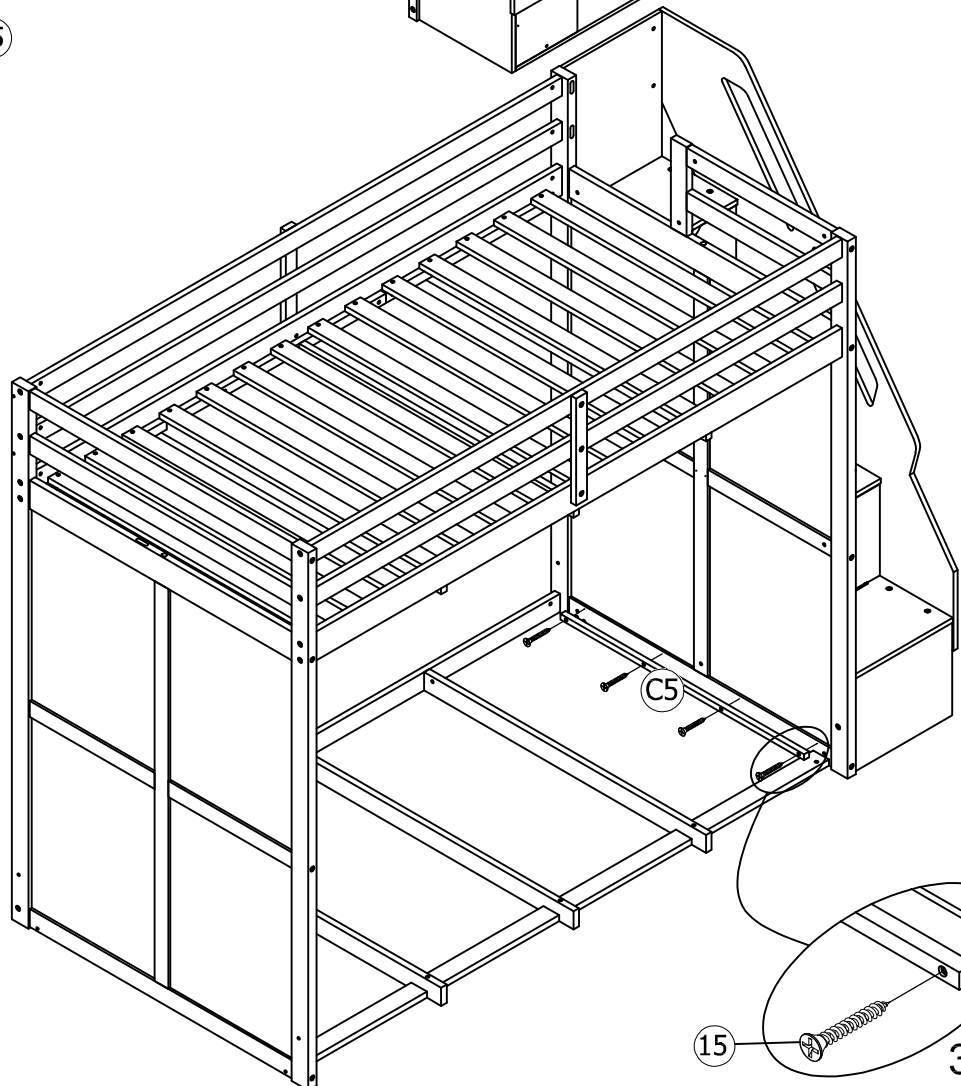
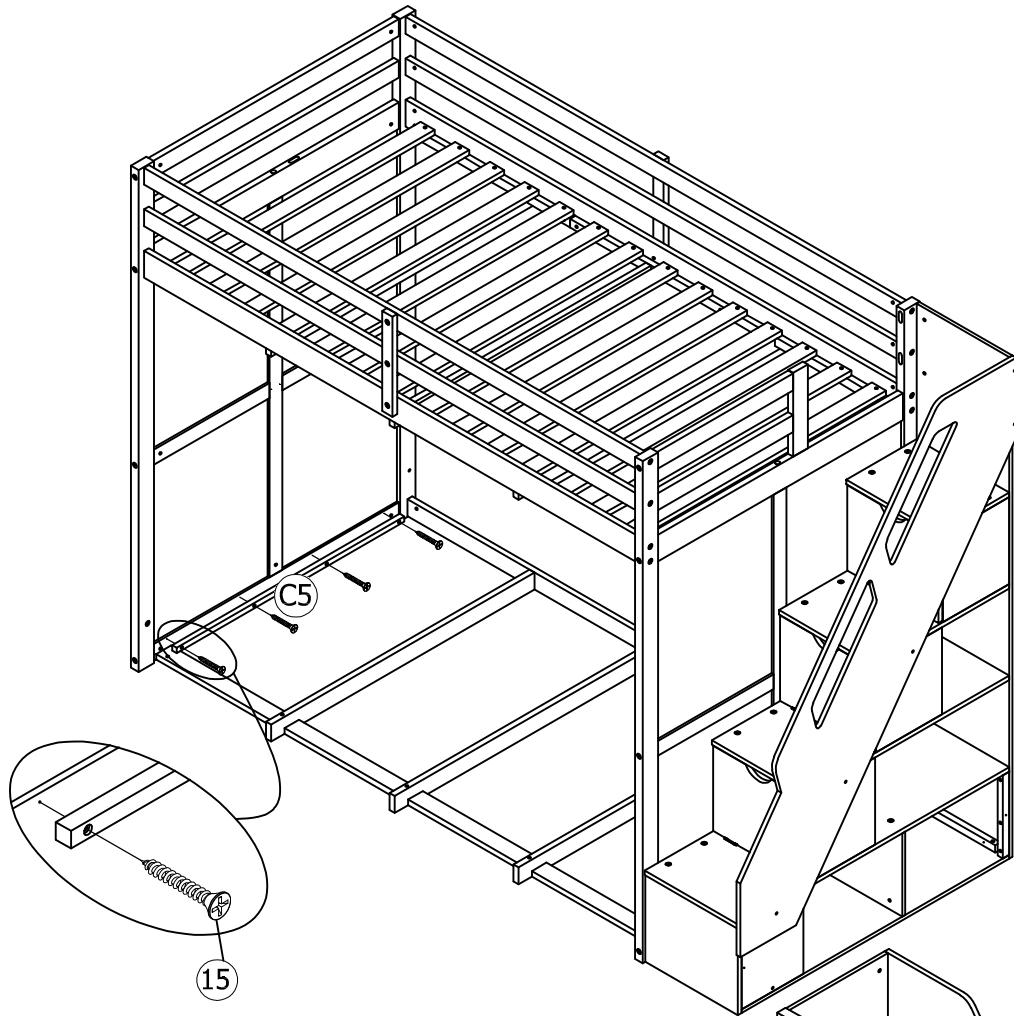


STEP27: Following below illustration.

15




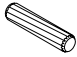

8(pcs)

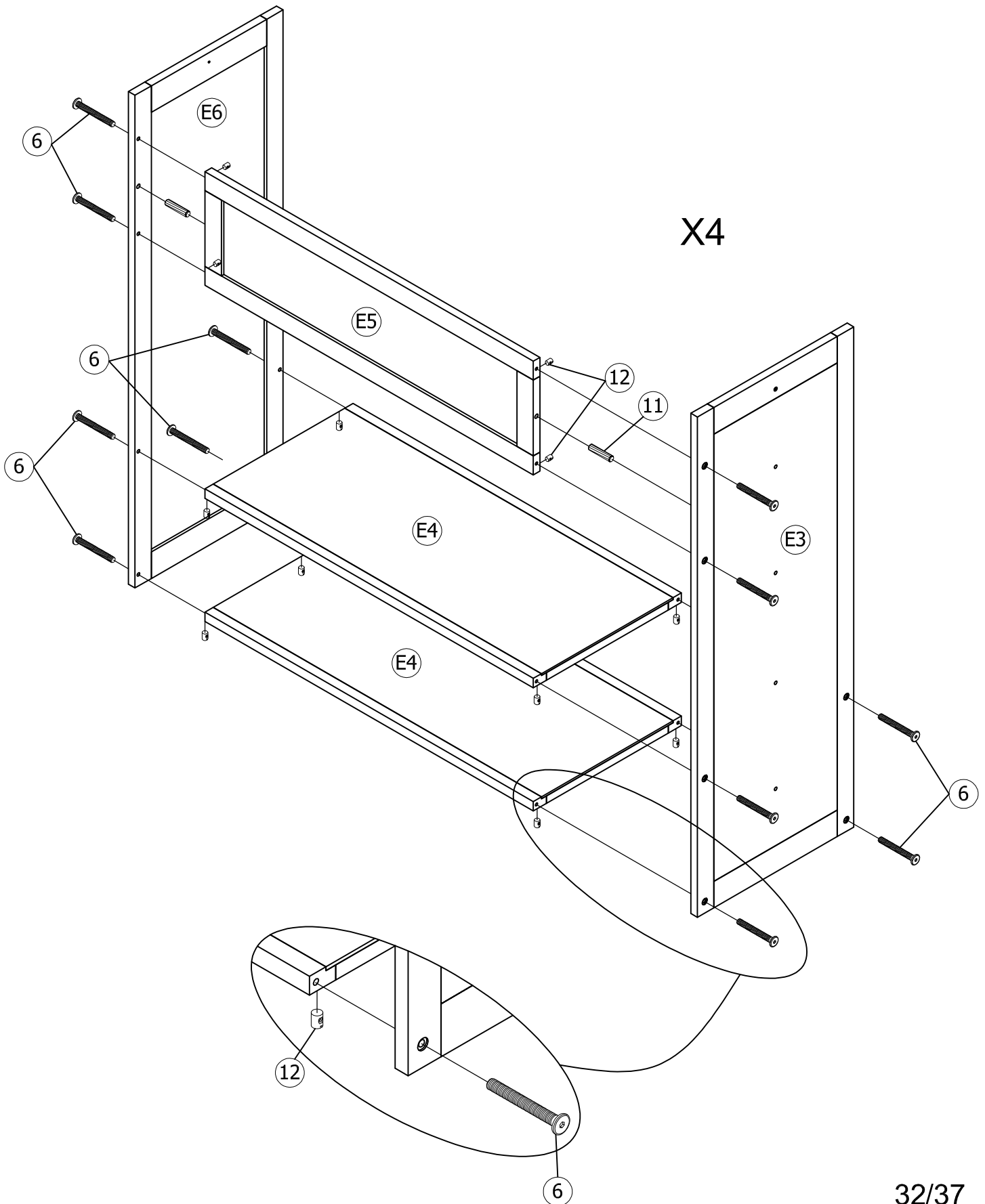


15

31/37

STEP28: Following below illustration.

12	11	6
		
48(pcs)	8(pcs)	48(pcs)



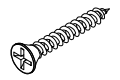
STEP29: Following below illustration.

19

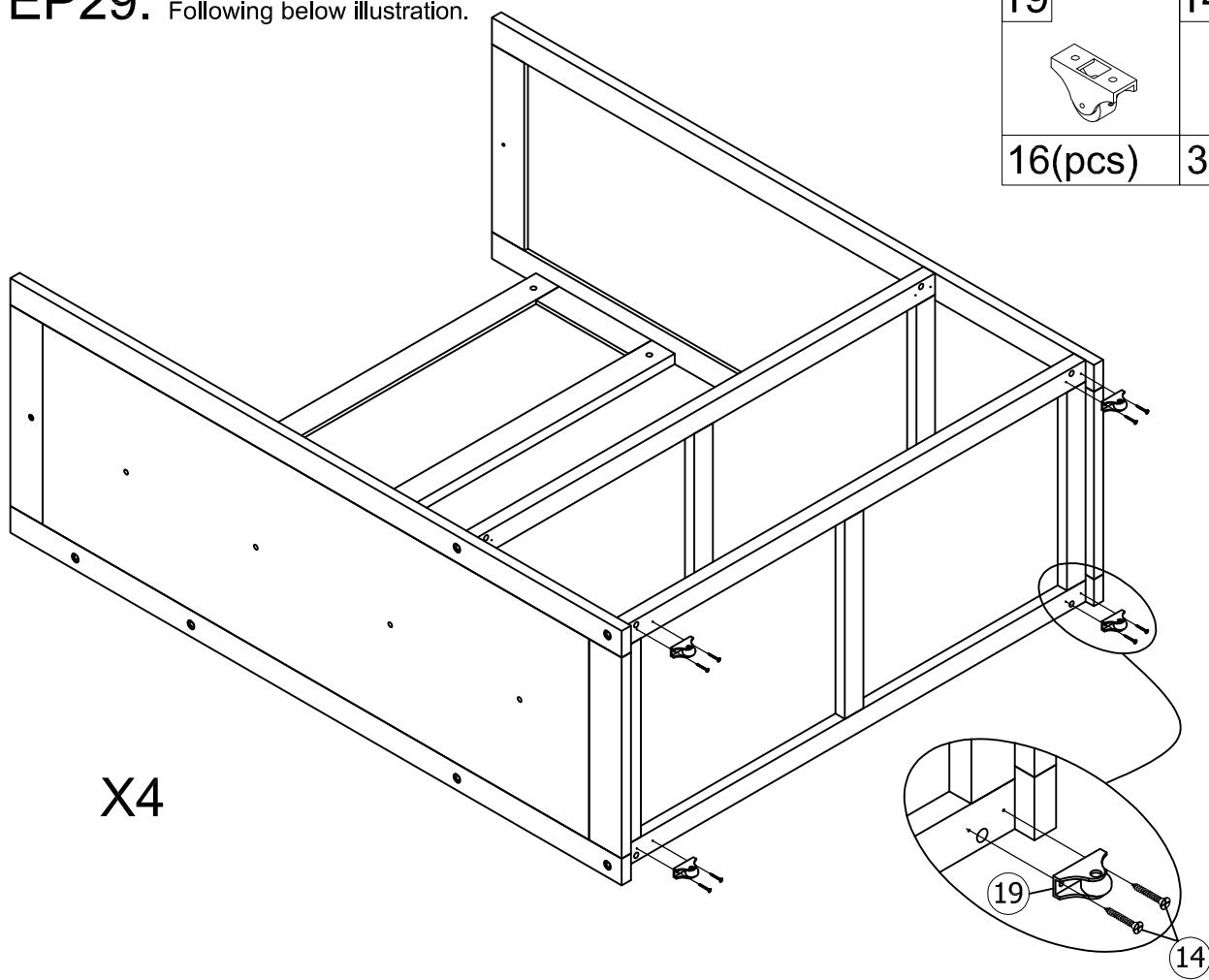


16(pcs)

14



32(pcs)



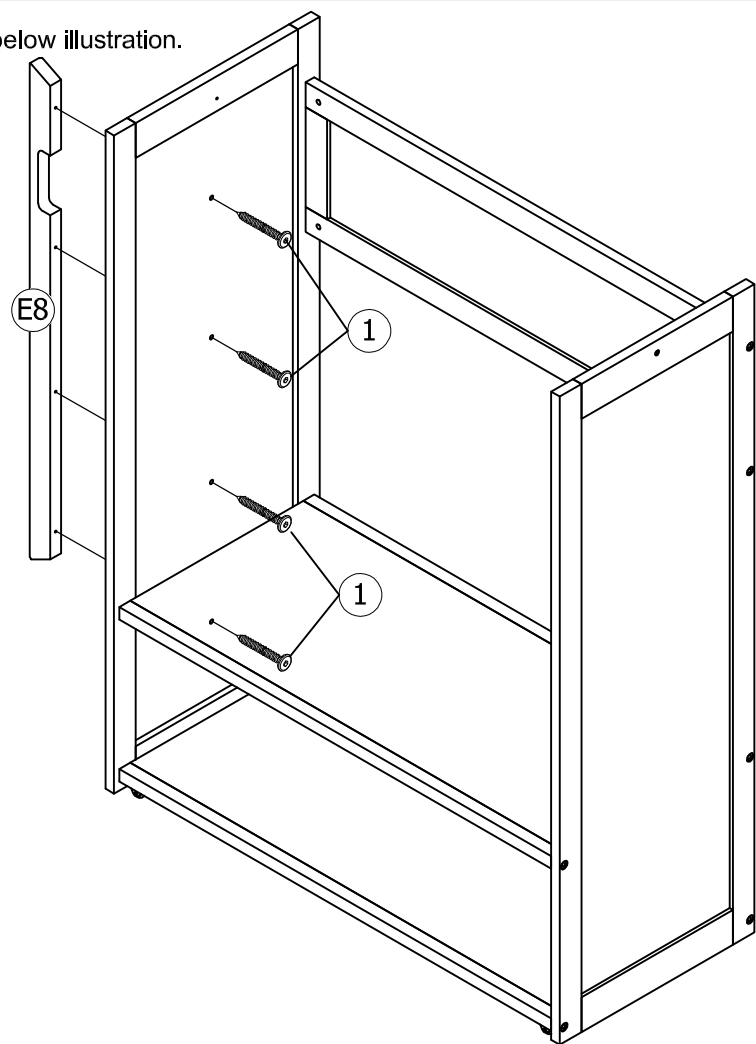
X4

STEP30: Following below illustration.

1

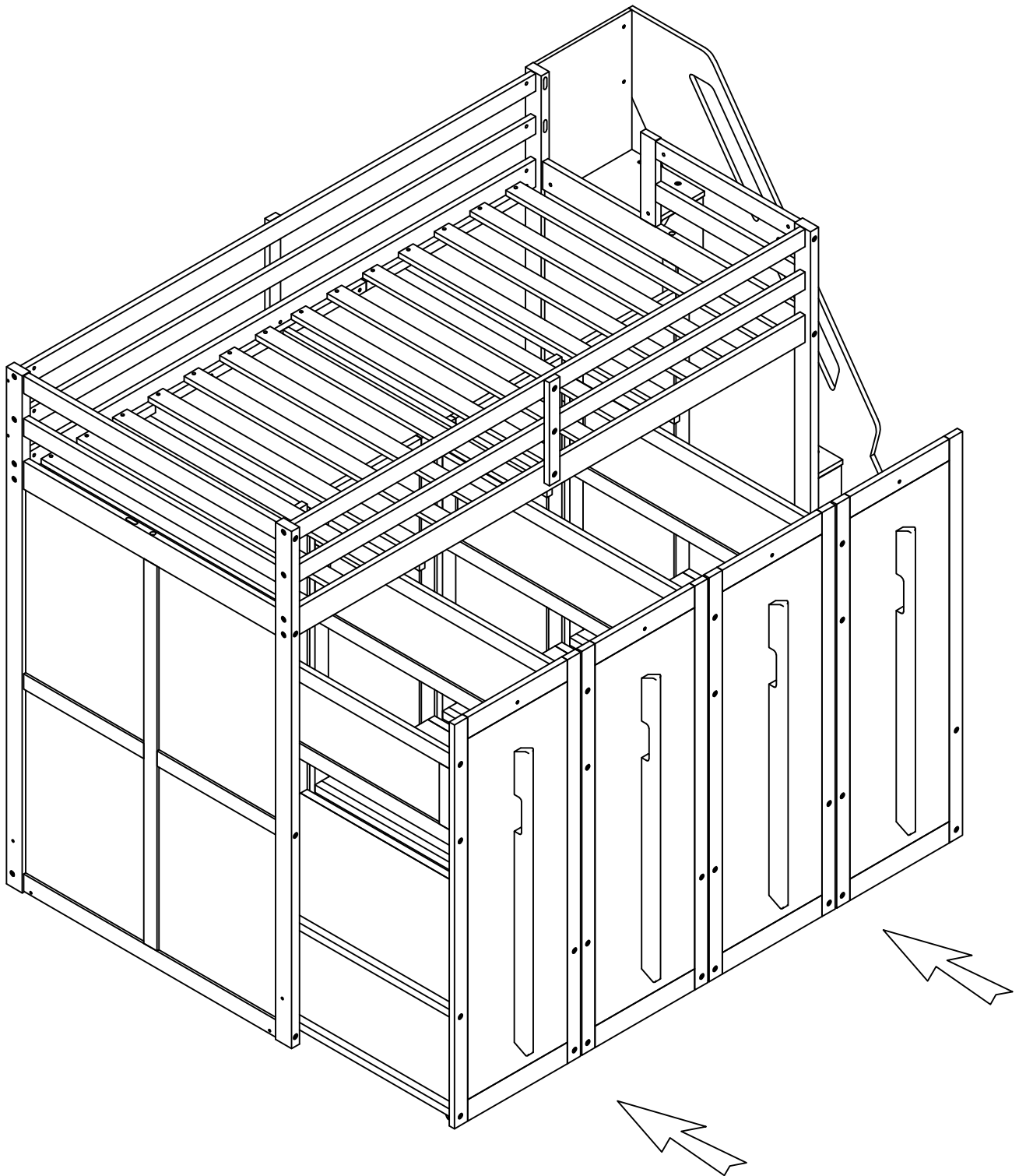


16(pcs)



X4

STEP31: Following below illustration.

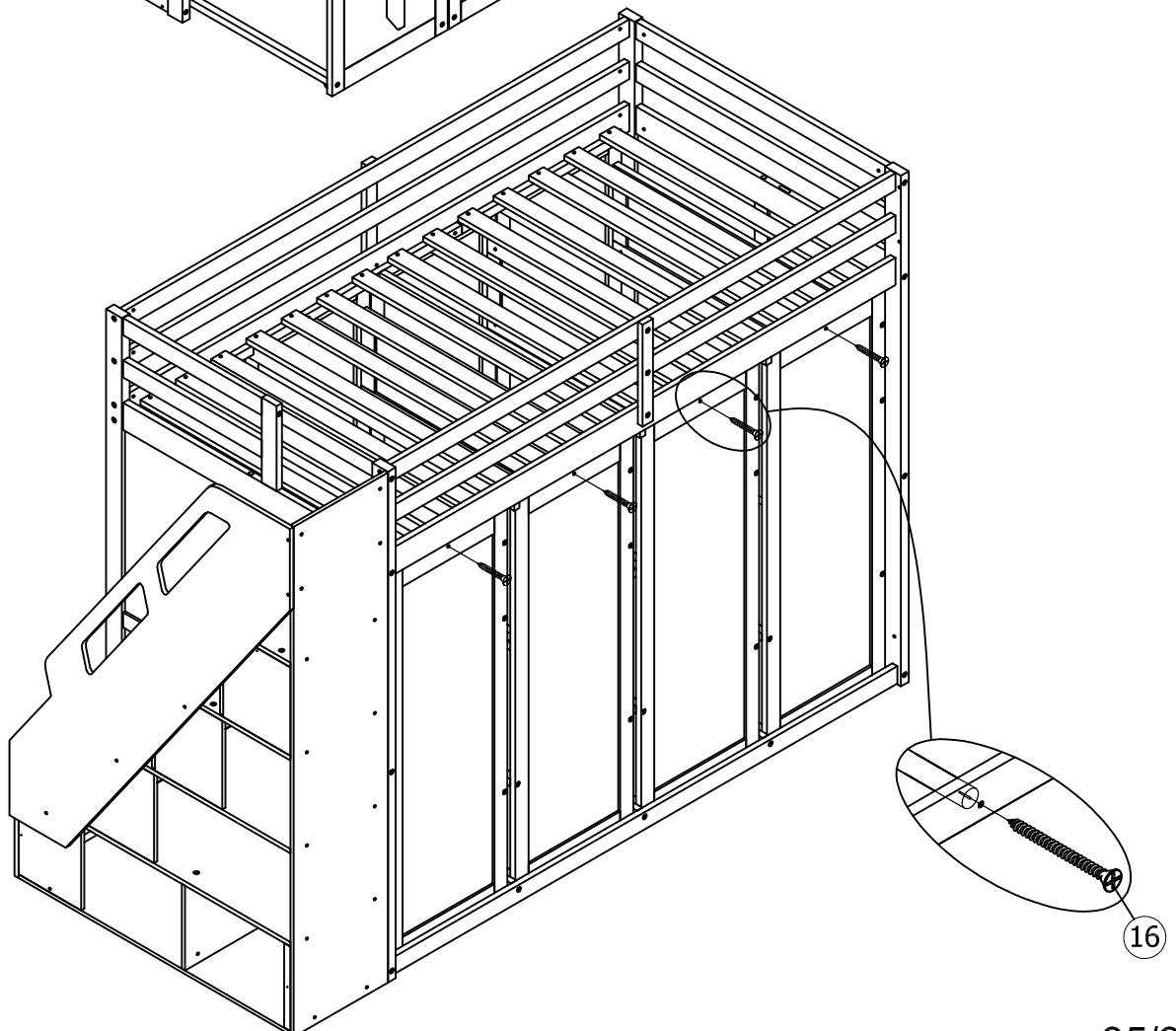
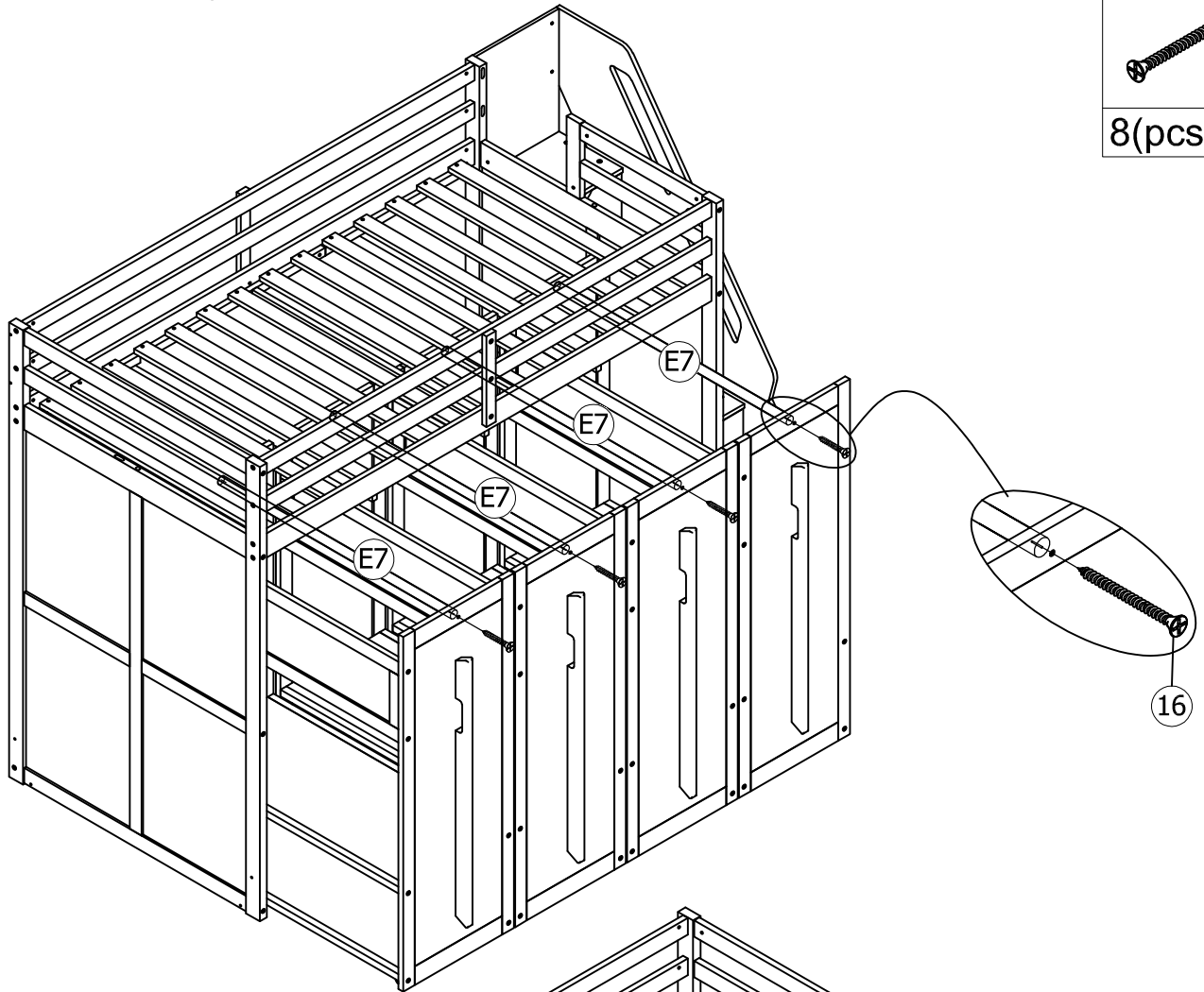


STEP32: Following below illustration.

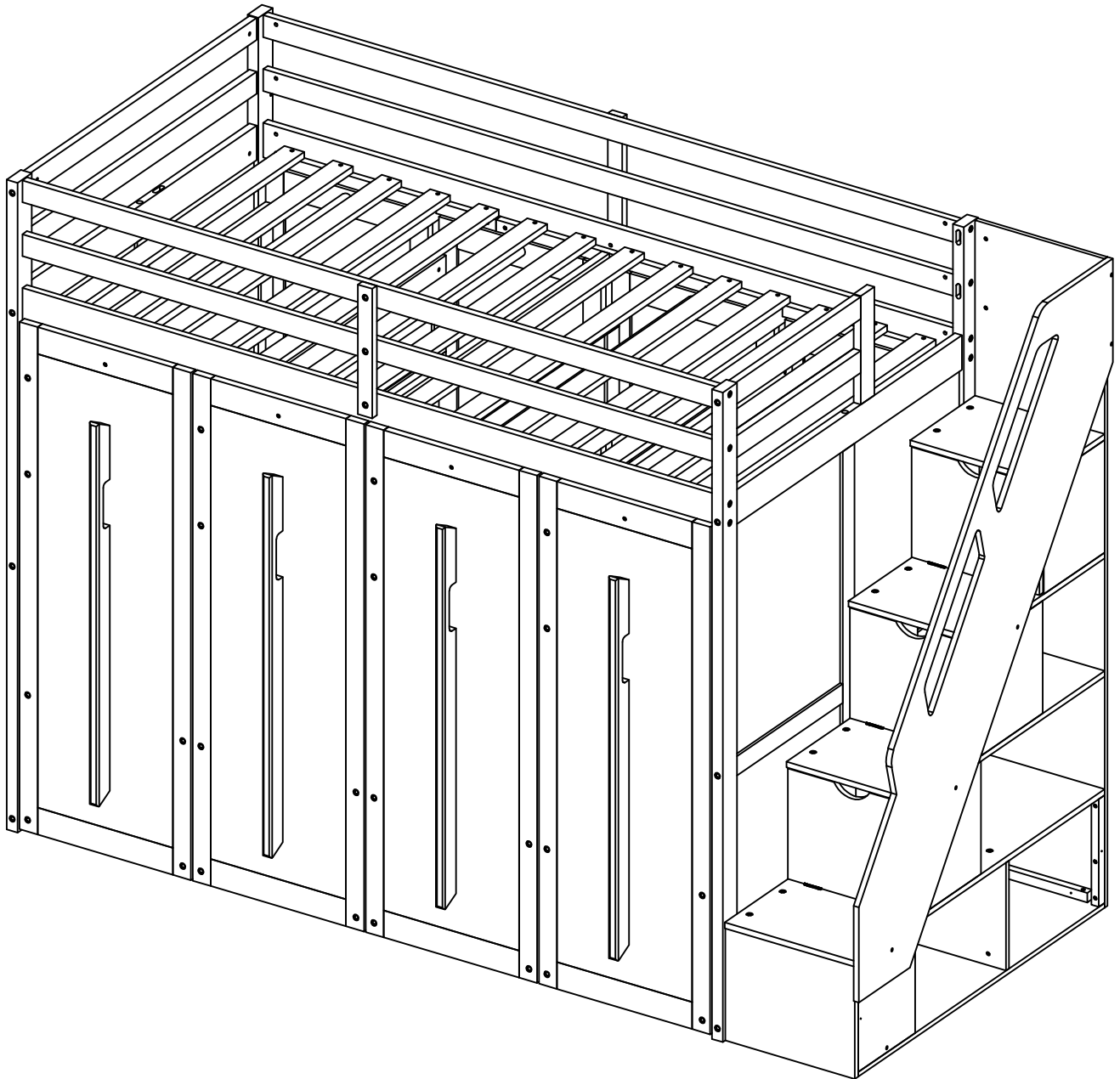
16



8(pcs)



STEP33:(OPTION1) Congratulations! You have completed the bed.



STEP33:(OPTION2) Congratulations! You have completed the bed.

