

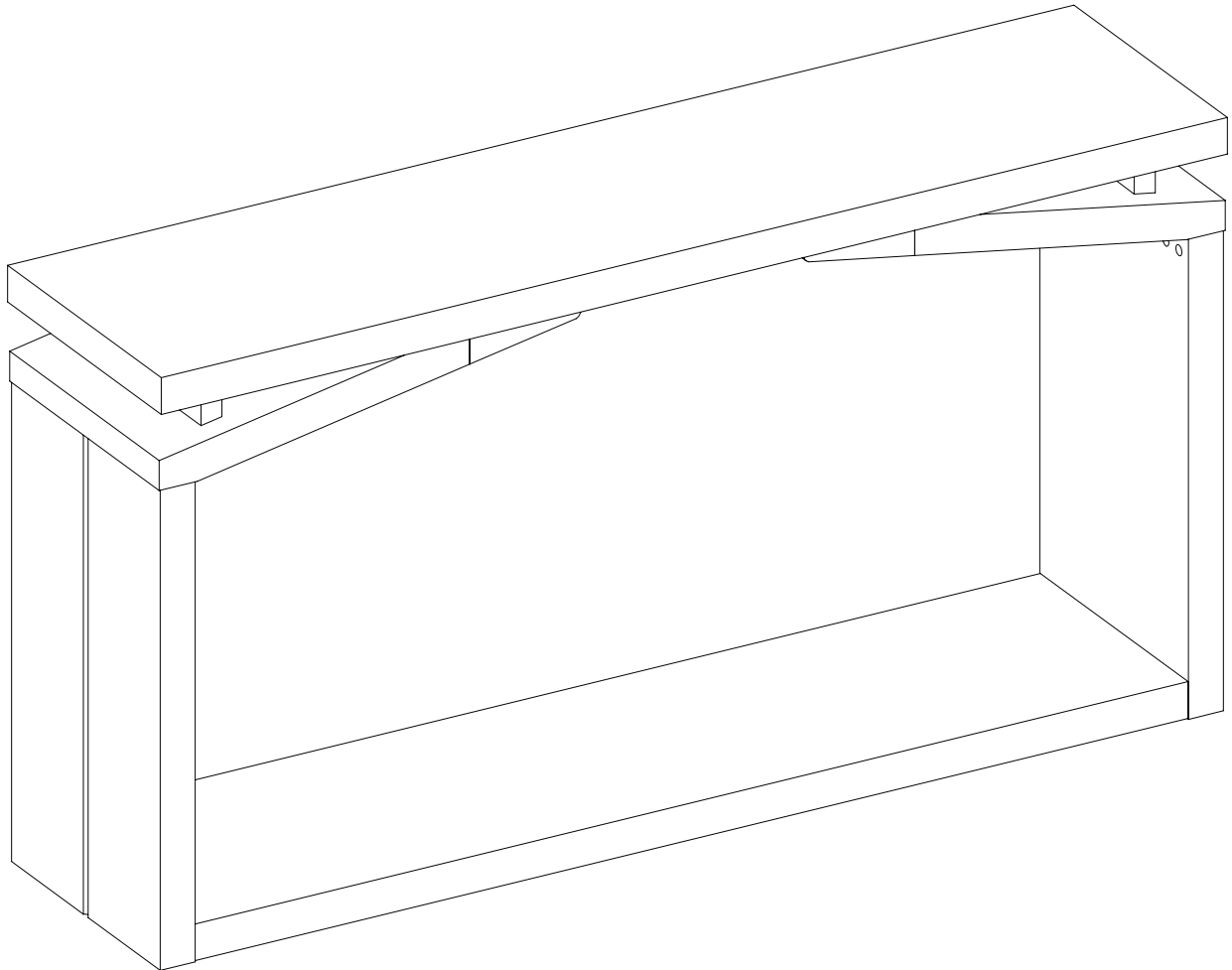
# WALKER EDISON

®

## Entry Table

SKU# WEBKR26604H01

SKU# WEBKR26604B01



**For Residential Use Only**

Please visit our website for the most current instructions, assembly tips, report damage, or request parts. [www.walkeredison.com](http://www.walkeredison.com)

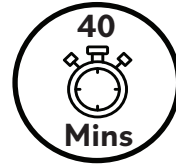


# Time to get started

Set up a clean and soft workplace to get started and avoid damage during the assembly. It also helps to double-check you've got all the pieces and parts before diving in to assembly.

---

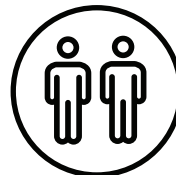
## Estimated time for assembly



---

## People recommended for assembly

Make it a team effort! Grab a friend for quicker, easier assembly.



2 People Build

---

## Tools Needed

Grab a Phillips head screwdriver to conquer this assembly.  
Phillips head screwdriver is not included.



---

## Use power tools with caution

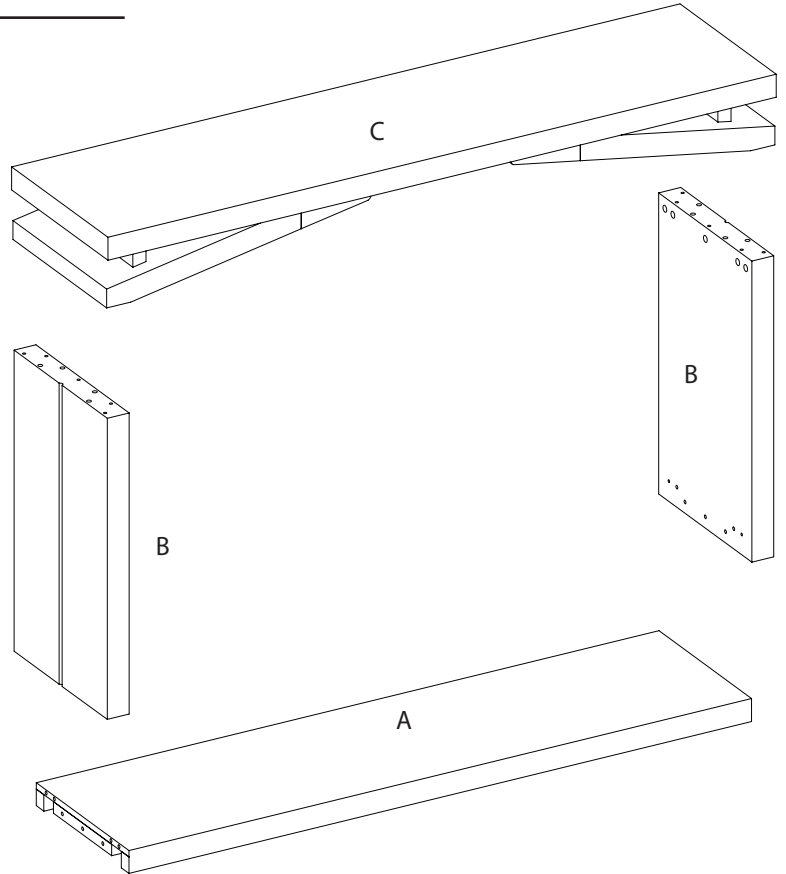
You can cause cracking or damage to the material and easily strip the hardware. If you choose to use a power tool, your product will no longer be covered under Walker Edison's warranty.



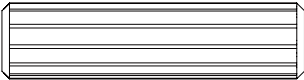
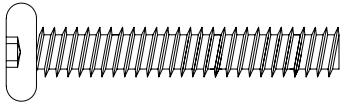

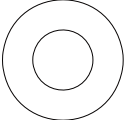
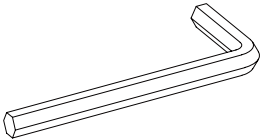

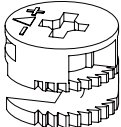

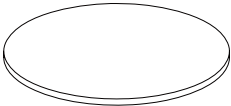
**Scan to get assembly tips and help!**

# WE Parts List

Part Number	Description	Quantity
A	Bottom Panel	1
B	Side panels	2
C	Top Frame	1

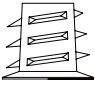
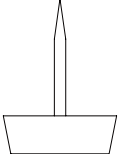


# WE Hardware List

Part	Size	Name	Quantity	Part code
AA	 Ø10x40mm	Wood Dowels	12	PC-DWLLCD10L40
BB	 Ø6.3x40mm	Bolt	6	PH-BLTBLK019
CC	 Ø11mm	Spring Washer	6	PH-WSRBLK003
DD	 Ø16mm	Washer	6	PH-WSRBLK002
EE		Hexagon Wrench	1	PH-HEXKEY4MM
FF	 Ø6x34mm	Cam Bolt	14	PC-KDBZNCH34
GG		Cam Lock	14	PC-KDCZNCH11
HH	 Ø15mm	Cover	14	PC-KDPXXX010
II	 Ø30mm	Cover	10	PC-KDPXXX011

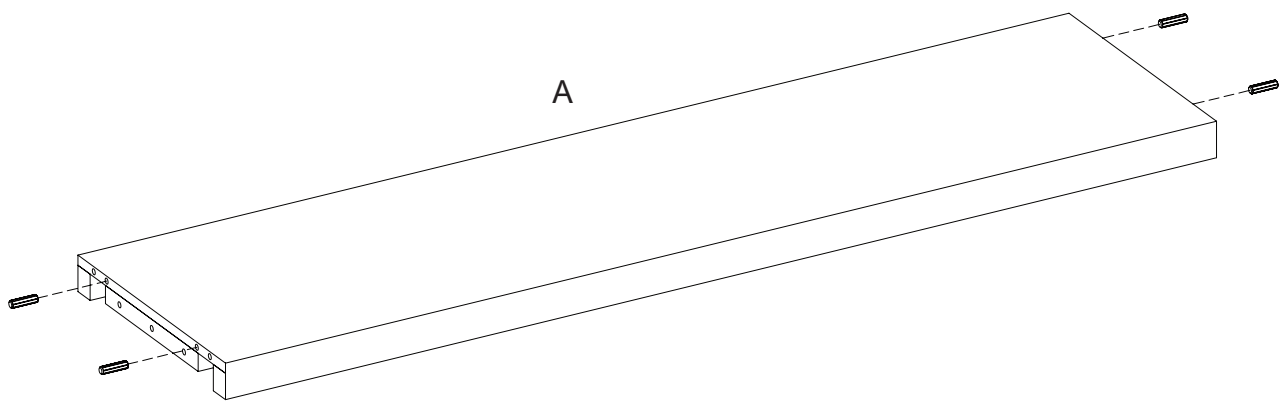
*The hardware quantities listed above are required for proper assembly.  
Extra hardware pieces may be included.*

# WE Installed Replacements Parts

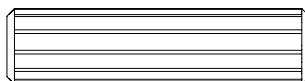
Part	Size	Name	Quantity	Part code
JJ		Threaded Insert	6	PH-THRZNC001
KK		Floor glide	6	PH-GLDWHT001

# Step 1

Let's get started! First, align the wood dowels (AA) to the pre-drilled holes in the bottom panel (A).



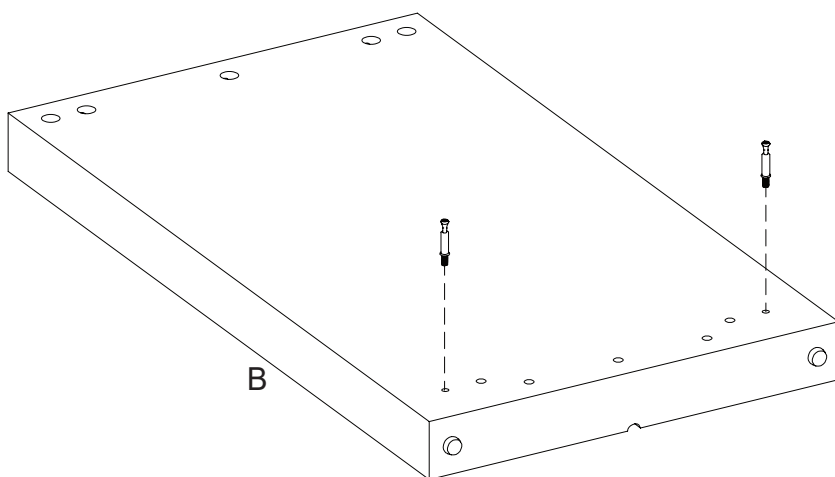
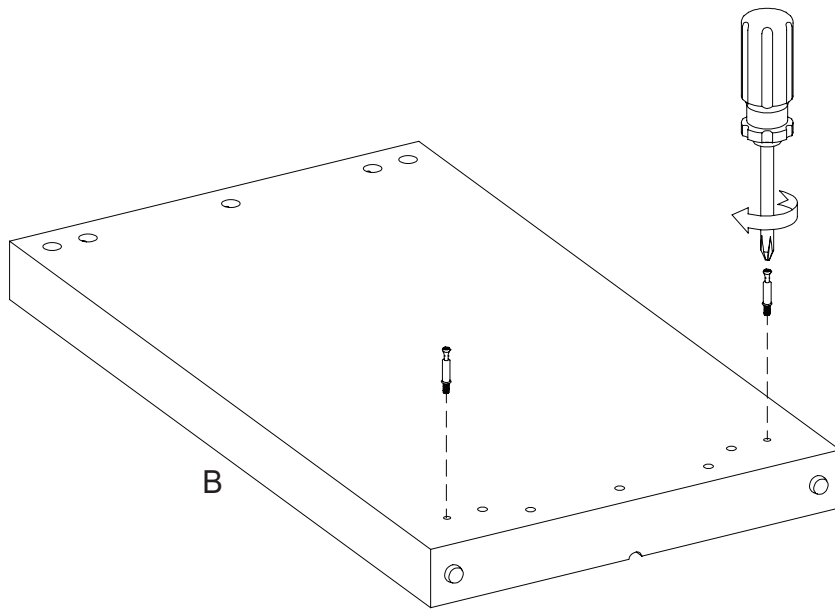
AA



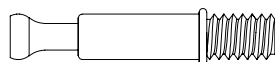
[x4]

## Step 2

Screw the cam bolts (FF) into the pre-drilled holes in side panels (B).



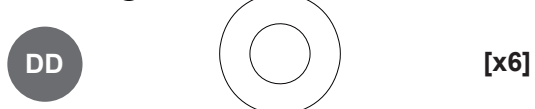
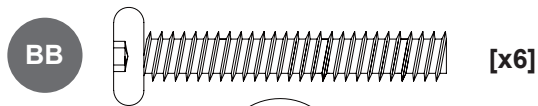
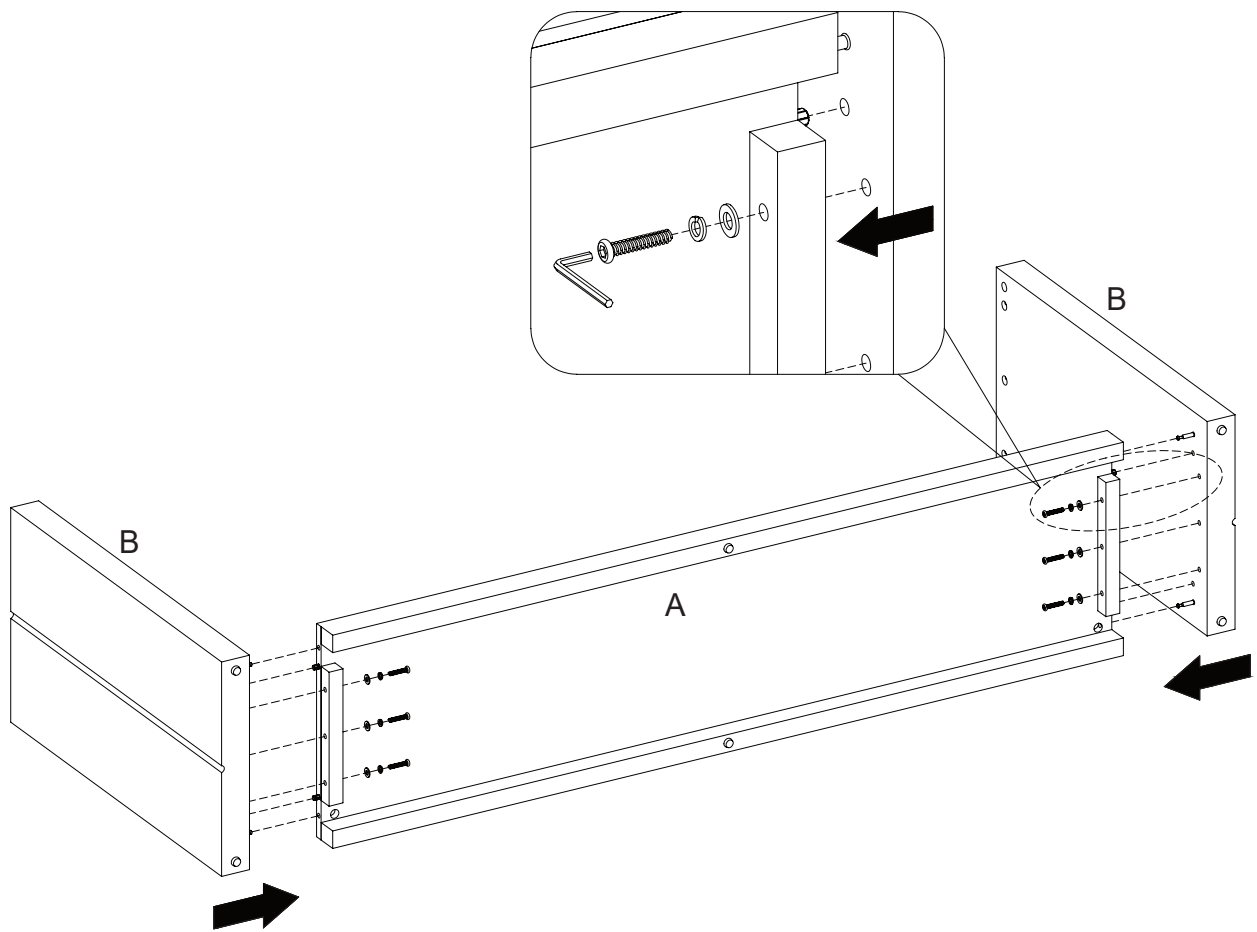
FF



[x4]

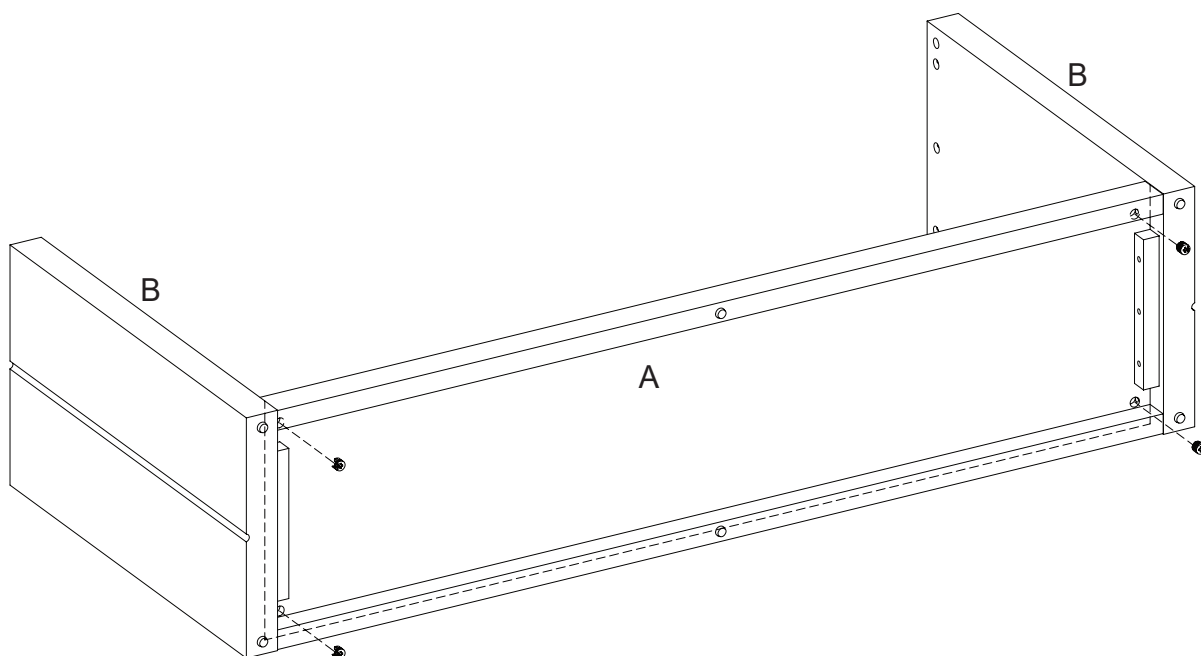
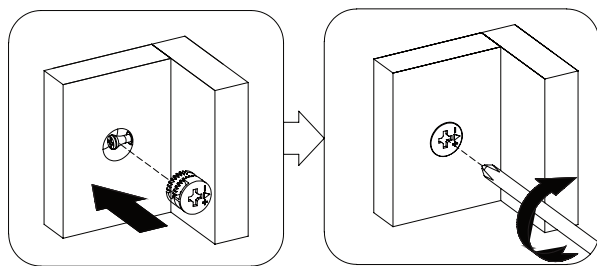
# Step 3

Use the bottom panel (A) to connect the side panels (B). Then, secure the pieces together with the bolt (BB), spring washer (CC), washer (DD) and hexagon wrench (EE).

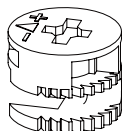


# Step 4

Screw the cam locks (GG) into place as shown.



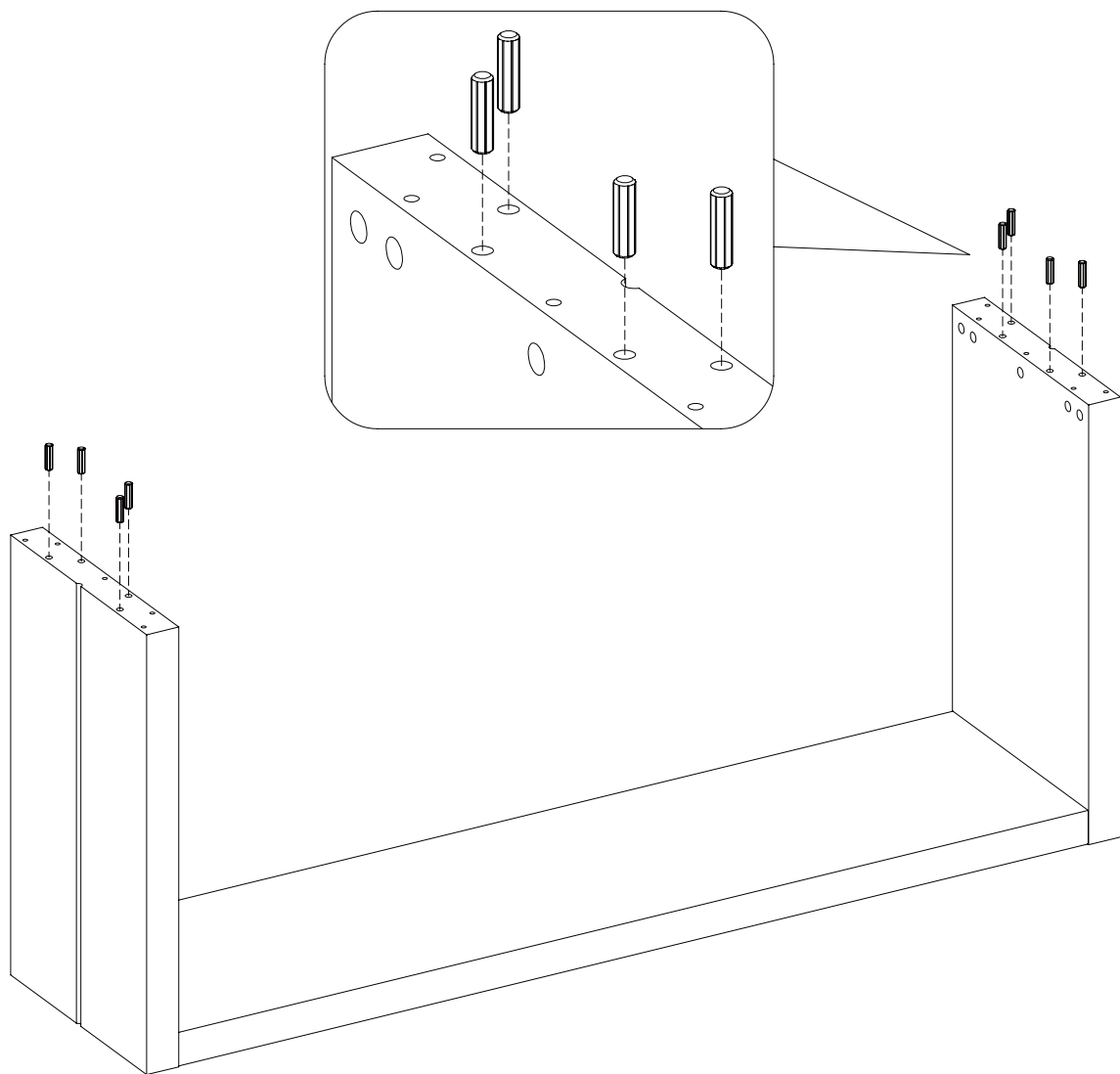
GG



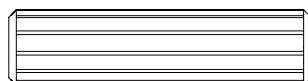
[x4]

# Step 5

Insert the wood dowels (AA) into place as shown.



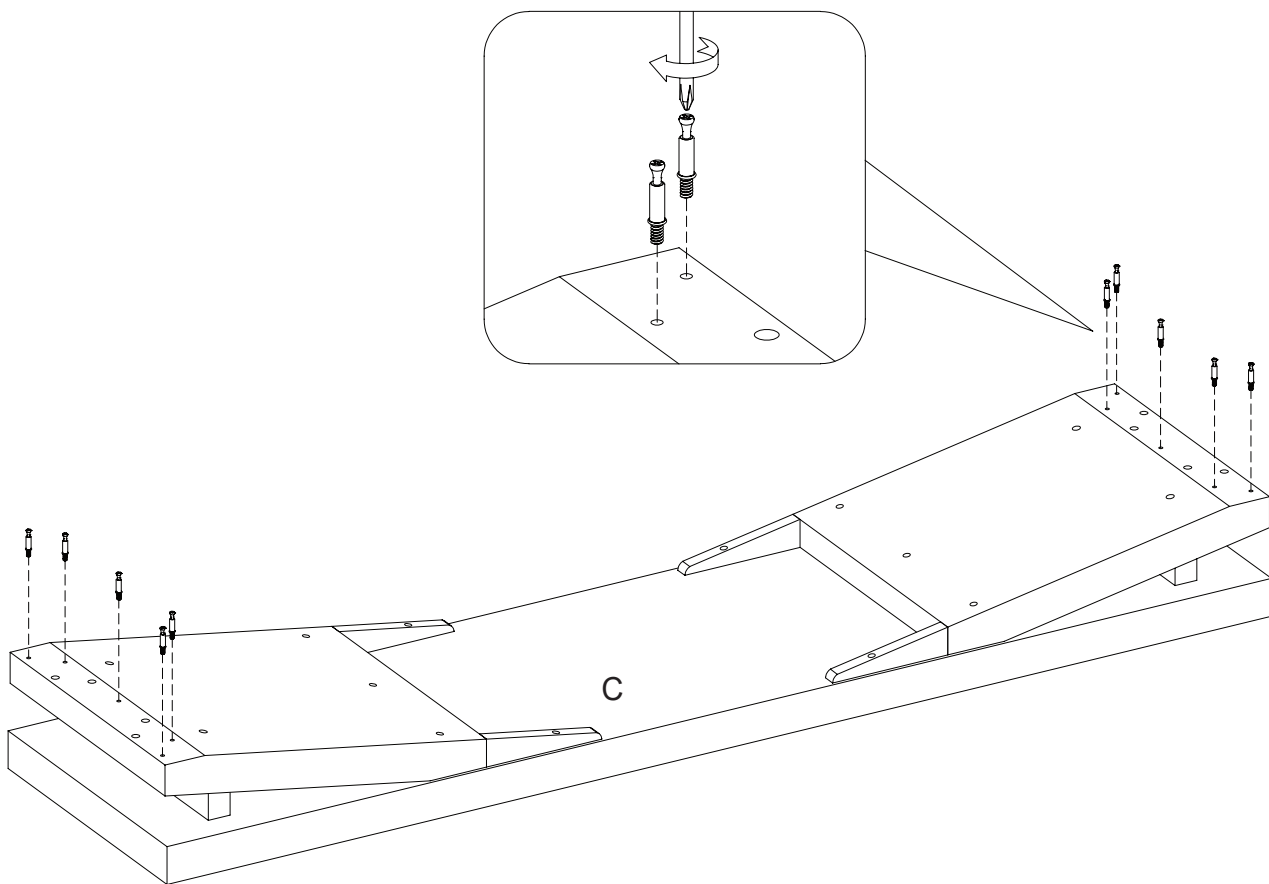
AA



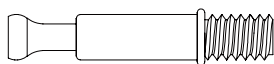
[x8]

# Step 6

Screw the cam bolts (FF) into the pre-drilled holes in top frame (C).



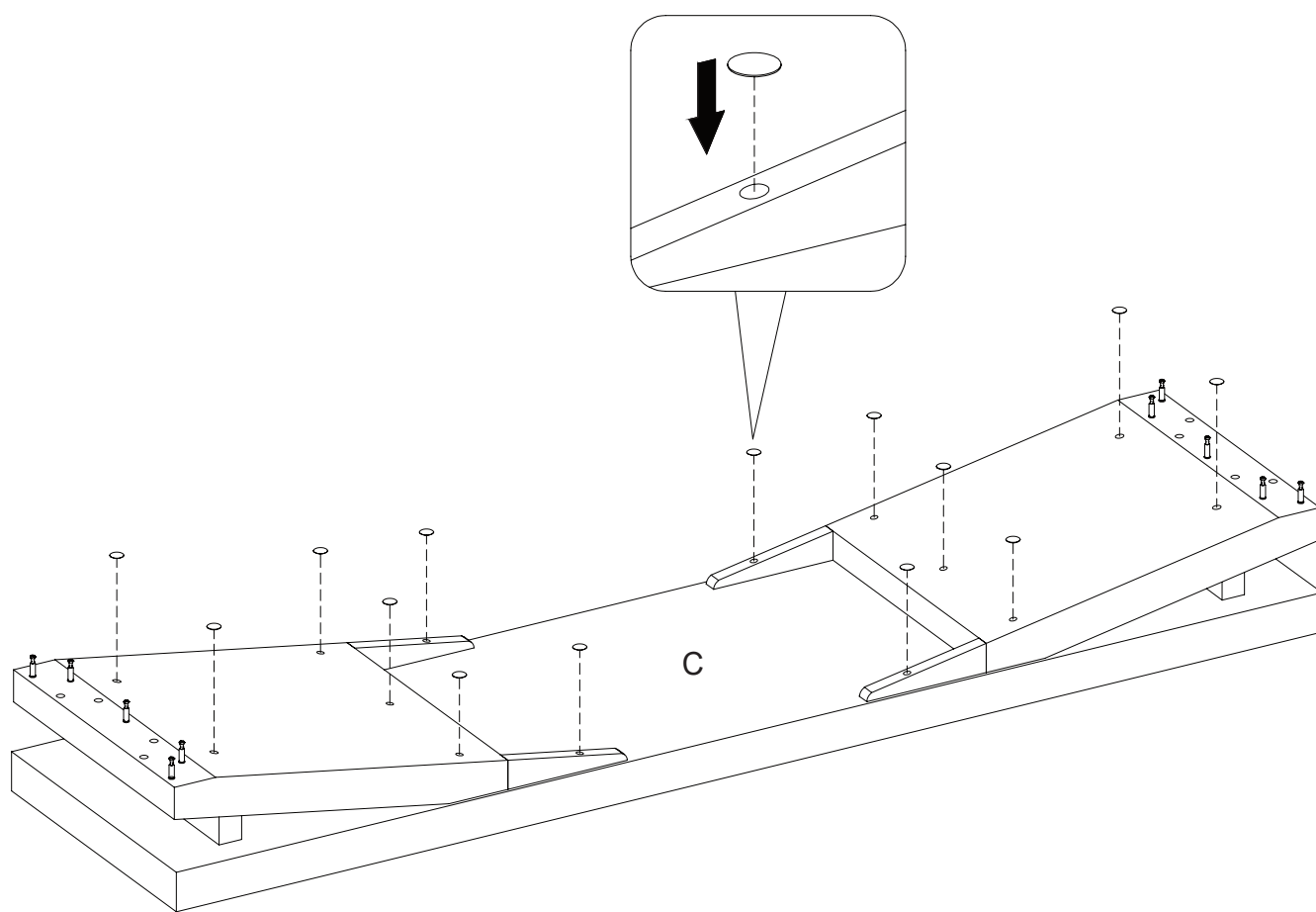
FF



[x10]

# Step 7

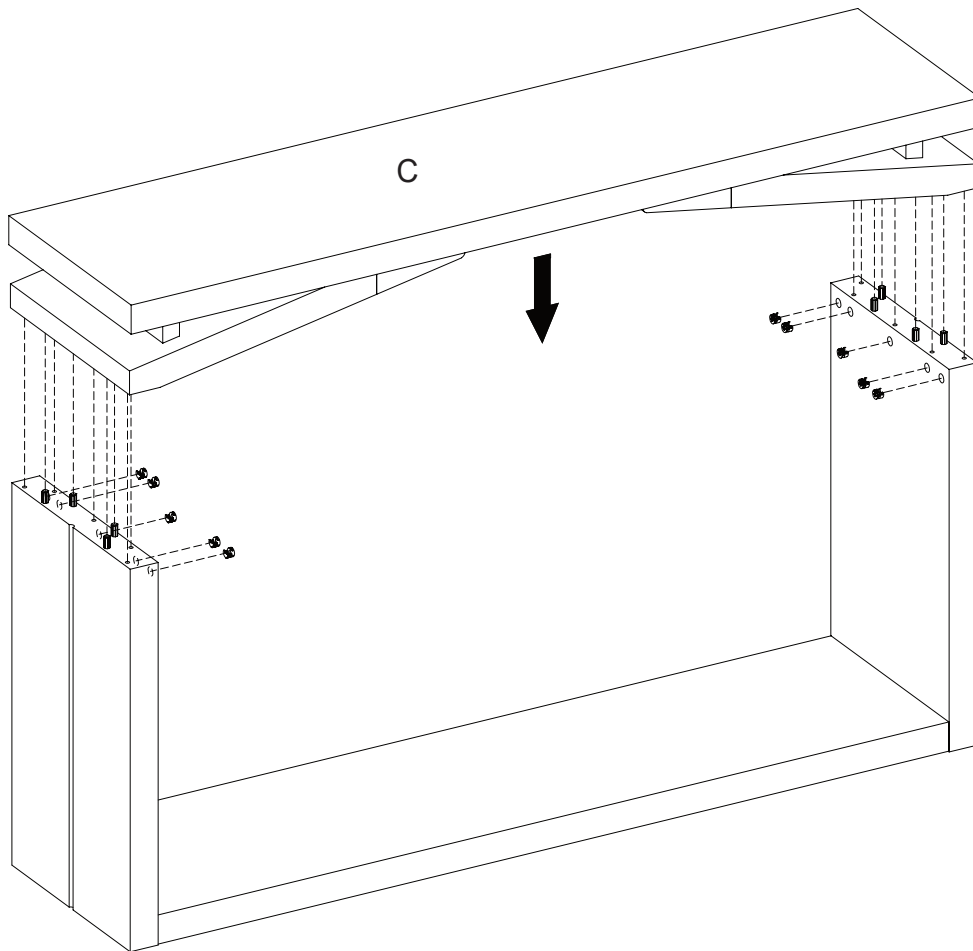
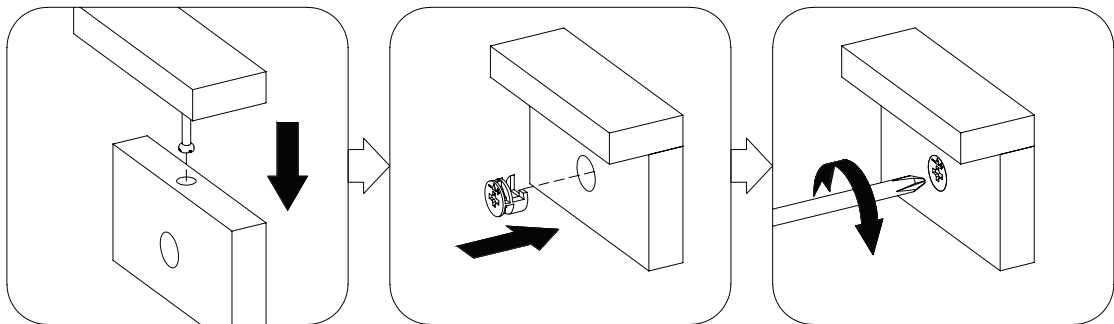
Place a cover (HH) as shown.



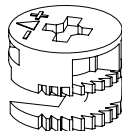
[x14]

# Step 8

Attach the cam bolts in the top frame (C) to the pre-drilled holes in the assembled unit and then insert the cam locks (GG) into place as shown.



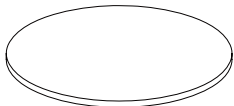
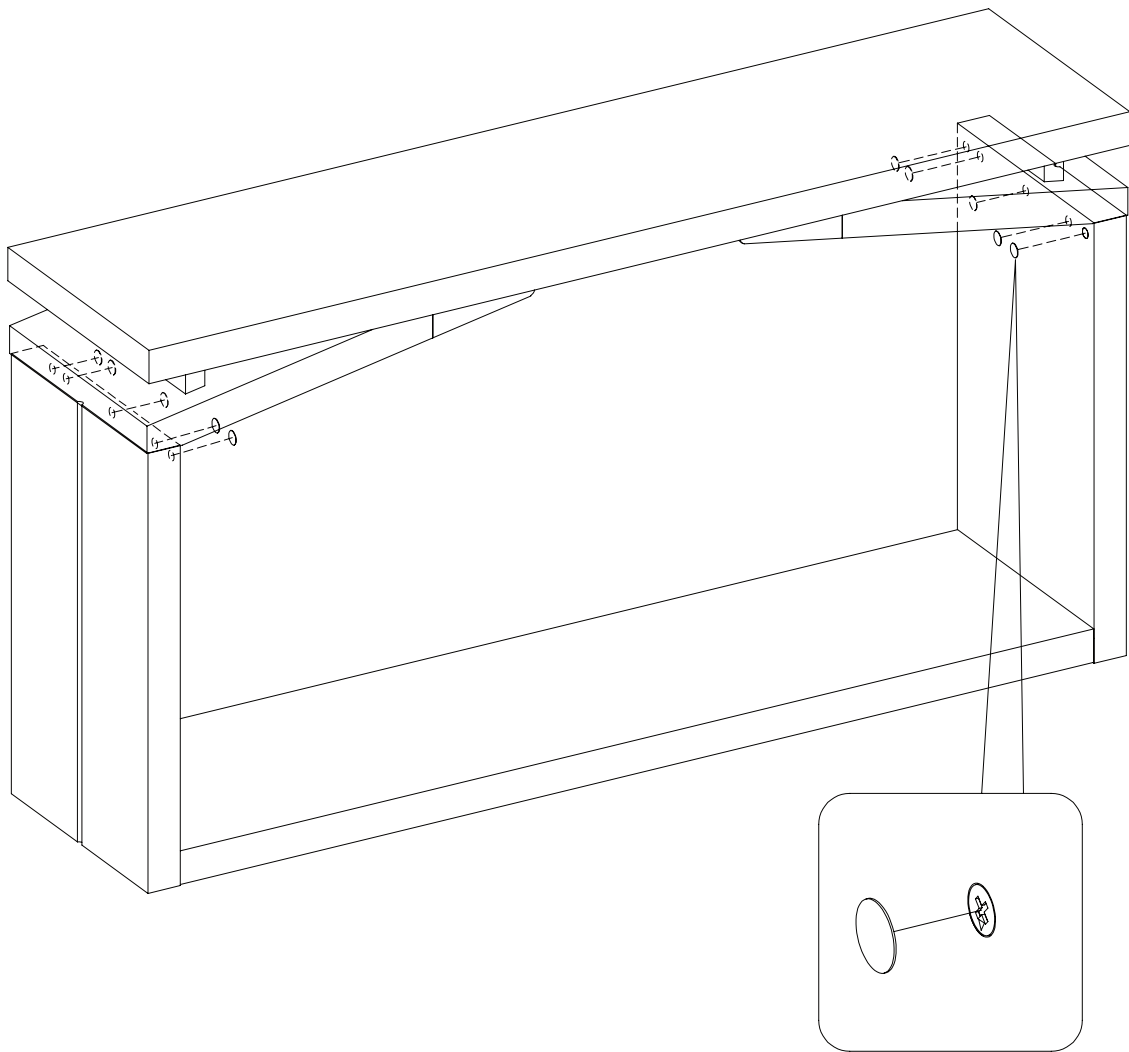
GG



[x10]

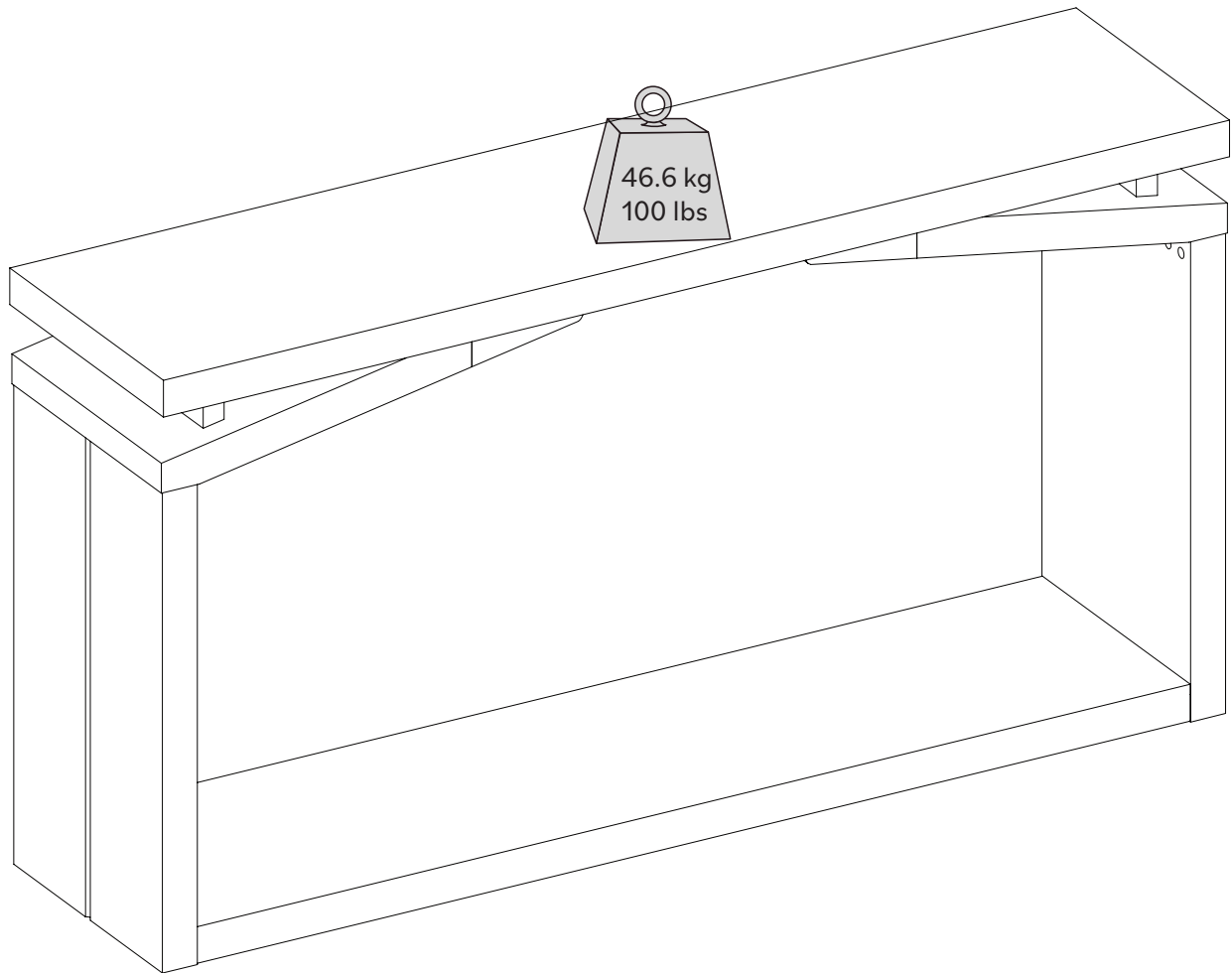
# Step 9

Place cover (II) over the cam locks as shown.



[x10]

# Final Assembly



**Congratulations on your new piece of furniture!**

We would love to hear about it and see it.  
Please leave us a review or post a picture with  
**#mywalkeredisonhome**

# Assembling furniture can be tricky sometimes.

Our customer service team, located in Utah, is here for product information, help assembling a product, or for any other customer support issue

Call us at **801-433-3008**

Email us at [service@walkeredison.com](mailto:service@walkeredison.com)

Visit our Customer Service website at [walkeredison.com/pages/customer-service](http://walkeredison.com/pages/customer-service)

We are available to help Monday -Thursday 8am-5pm, Friday 8am-3pm MST

For details on Assembly Videos, Assembly Instructions, Replacement Parts, and Customer service,

**SCAN HERE**

