

ASSEMBLY INSTRUCTIONS
4 DOOR 2 DRAWER ROBE

IMPORTANT: READ THESE INSTRUCTIONS CAREFULLY BEFORE ATTEMPTING TO ASSEMBLE OR USE YOUR 4 DOOR 2 DRAWER ROBE

PLEASE KEEP THESE INSTRUCTIONS FOR FUTURE REFERENCE

HEALTH & SAFETY:

DO NOT use this item if any parts are missing, damaged or worn.

DO NOT use this item unless all fixings are secured.

Please keep small parts out of reach of children.

Always use on a level, even surface.

CARE & MAINTENANCE:

Assemble in the room of use.

Assembly should be carried out with this item laying flat, not standing upright

Assemble on a soft, clean surface to prevent damages

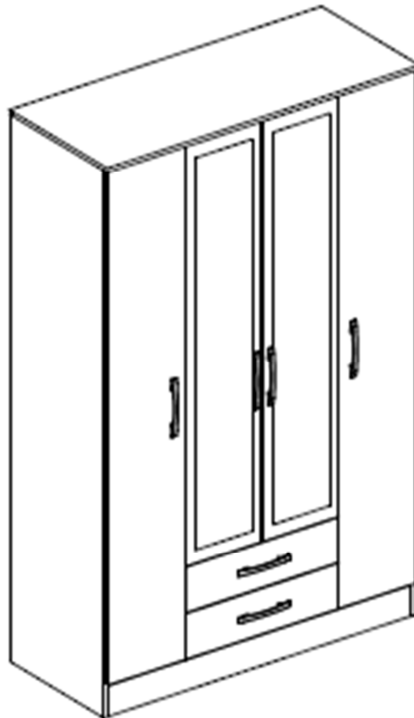
To remove the printed numbers on the pieces, use a moistened cloth

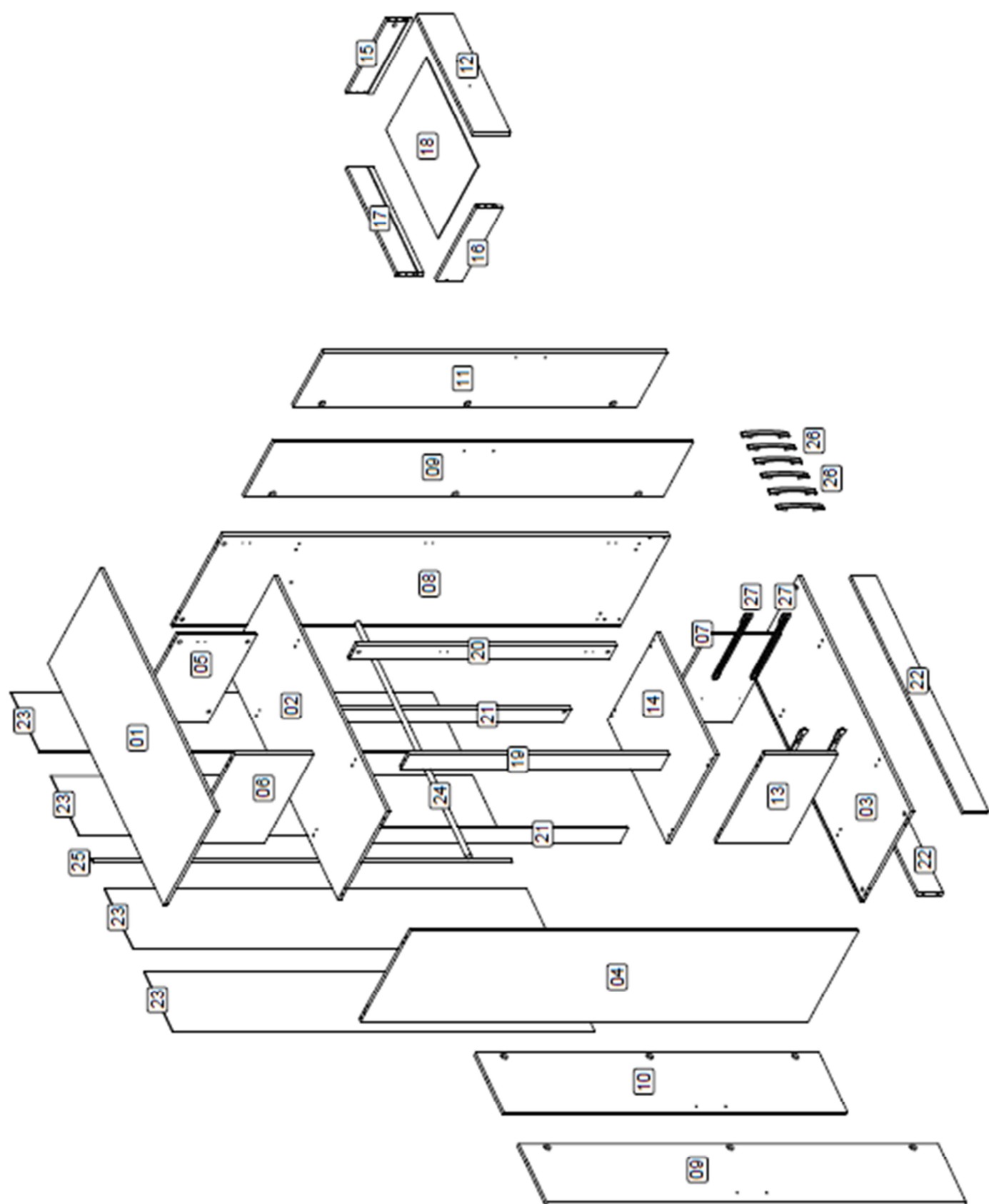
Periodically check all screws & fixings to ensure they are secure.


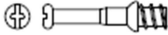



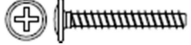

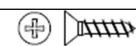




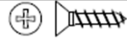


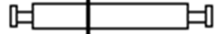


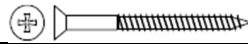

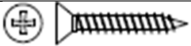


DO NOT push the bed frame as this will damage the legs.

Always lift the bed with two people to reposition.

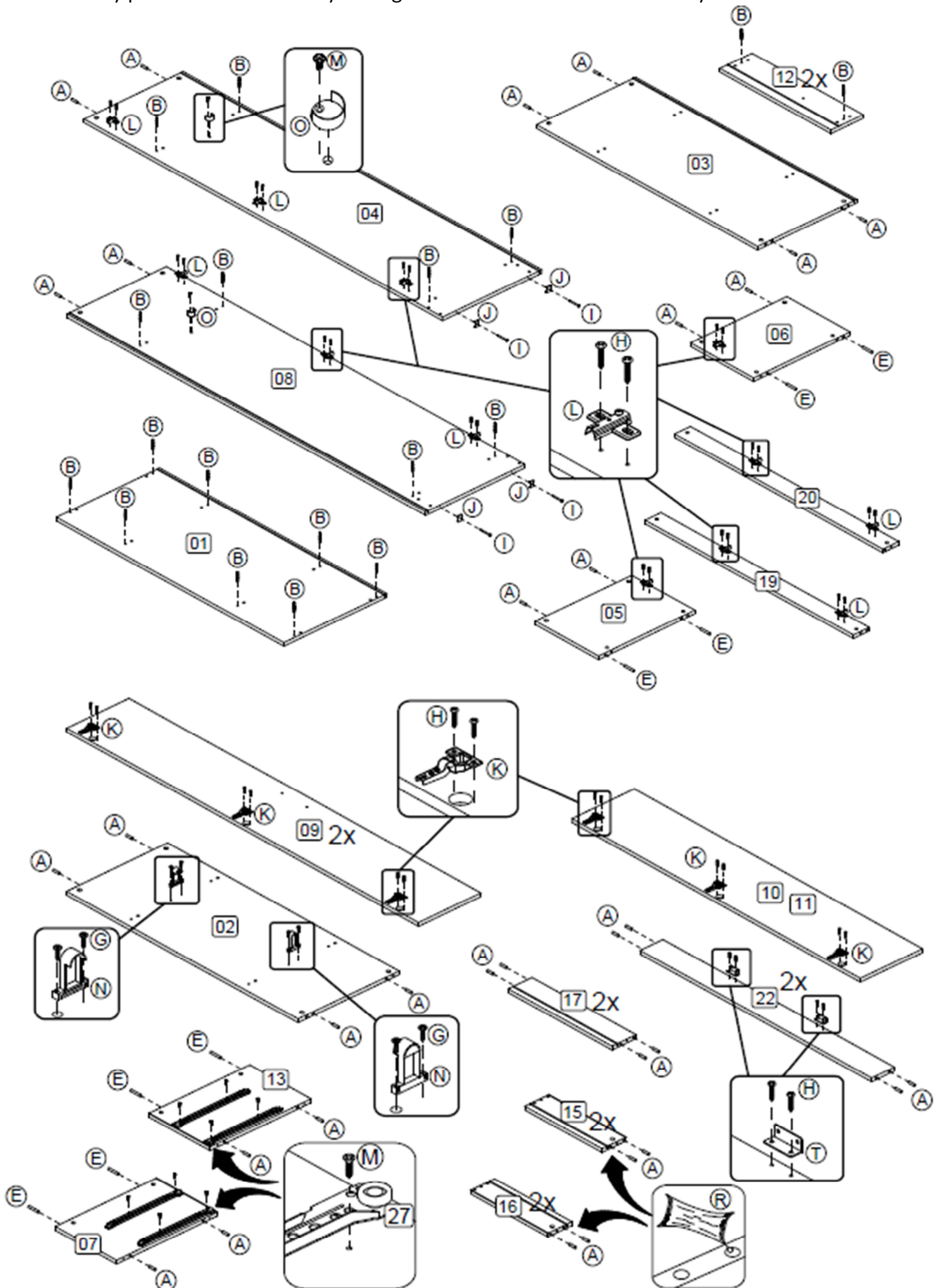
Keep any sharp objects away from the frame.



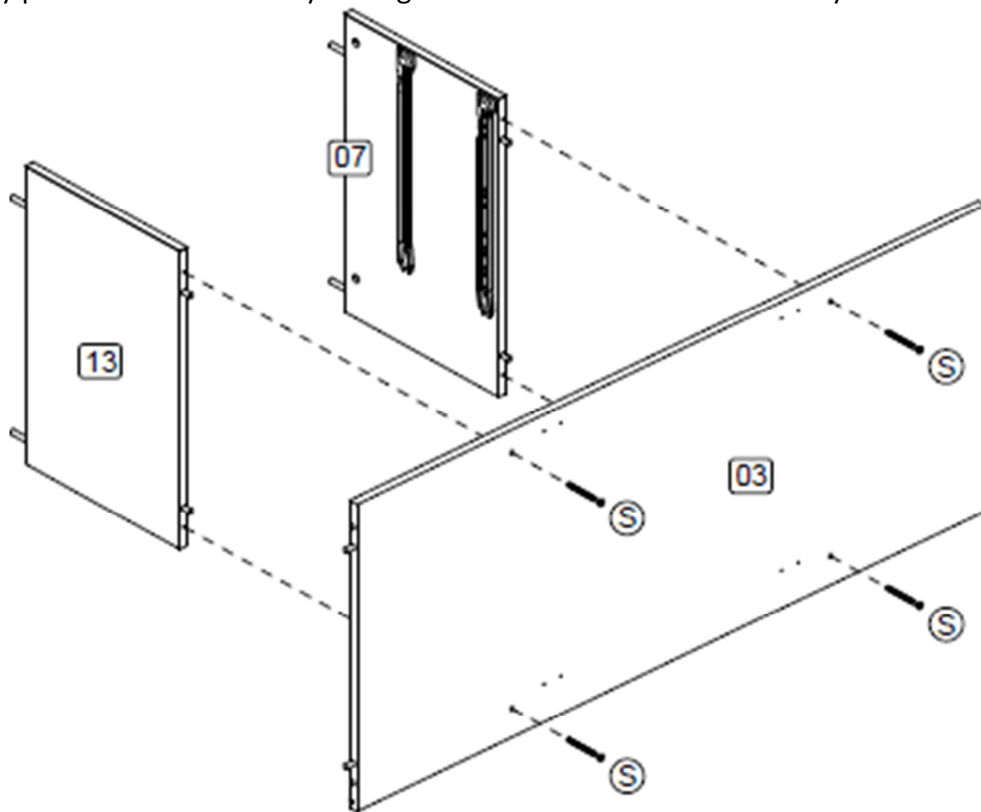


Parts List				Hardware List (found in box 2)		
Part	Description	Box	Qty	Part	Description	Qty
1	Top Panel	1	1	A	8 x 30 mm Wooden Dowel 	44
2	Shelf	1	1	B	Simple Minifix Screw 	20
3	Base Panel	1	1	C	Cam Lock 	36
4	Left Panel	2	1	D	Plastic Cap 	32
5	Right Shelf Divider	1	1	E	8 x 50 mm Wooden Dowel 	8
6	Left Shelf Divider	1	1	F	3.5 x 25 mm Screw 	12
7	Drawer Cabinet Right Panel	1	1	G	3.5 x 20 mm Screw 	4
8	Right Panel	2	1	H	3.5 x 14 mm Screw 	64
9	Door	3	2	I	10 x 10 mm Tack 	20
10	Left Mirrored Door	3	1	J	Small Plastic Foot 	6
11	Right Mirrored Door	3	1	K	Hinge 	12
12	Drawer Front	1	2	L	Hinge Bracket 	12
13	Drawer Cabinet Left Panel	1	1	M	3 x 14 mm Screw 	18
14	Drawer Cabinet Top Panel	1	1	N	Open Rail Support 	2
15	Right Side Drawer Panel	1	2	O	Rail Support 	2
16	Left Side Drawer Panel	1	2	P	Double Minifix Screw 	8
17	Back Drawer Panel	1	2	Q	Metal Claw 	14
18	Drawer Base	1	2	R	Glue 	1
19	Left Front Support	1	1	S	4.5 x 45 mm Screw 	8
20	Right Front Support	1	1	T	Metallic Angle Plates 	4
21	Back Support	1	2	U	3.5 x 20 mm Screw 	12
22	Plinth	1	2	V	Triangle Support 	12
23	Back Panel	1	4	W	Crayon 	4
24	Hanging Rail	1	1	** You will need a small mallet and a screwdriver for assembly.		
25	Spine	2	1			
26	Handle	3	6			
27	Drawer Runners	1	2			

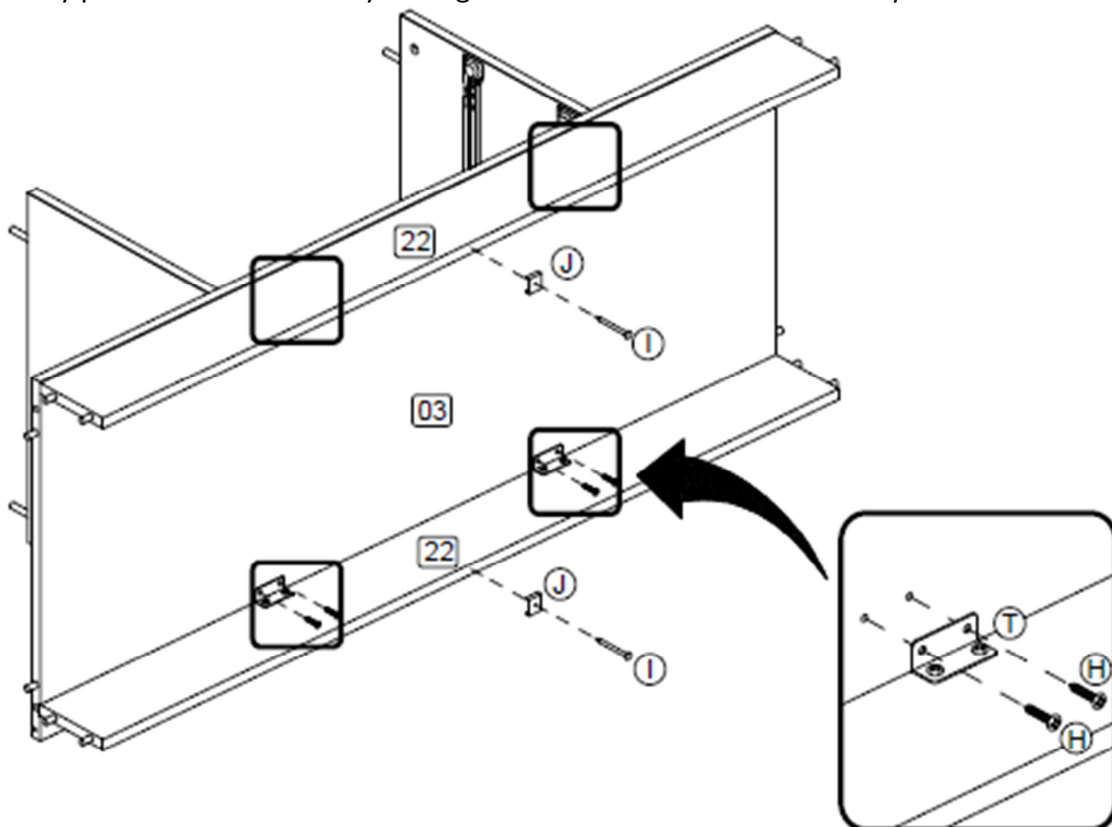
Step 1: Prepare the parts for assembly using hardware parts A, B, E, G, H, I, J, K, L, M, N, O, R and T. You will need to use a small mallet and a screwdriver (not provided). DO NOT use any power tools as this may damage the frame and will invalidate any claim.



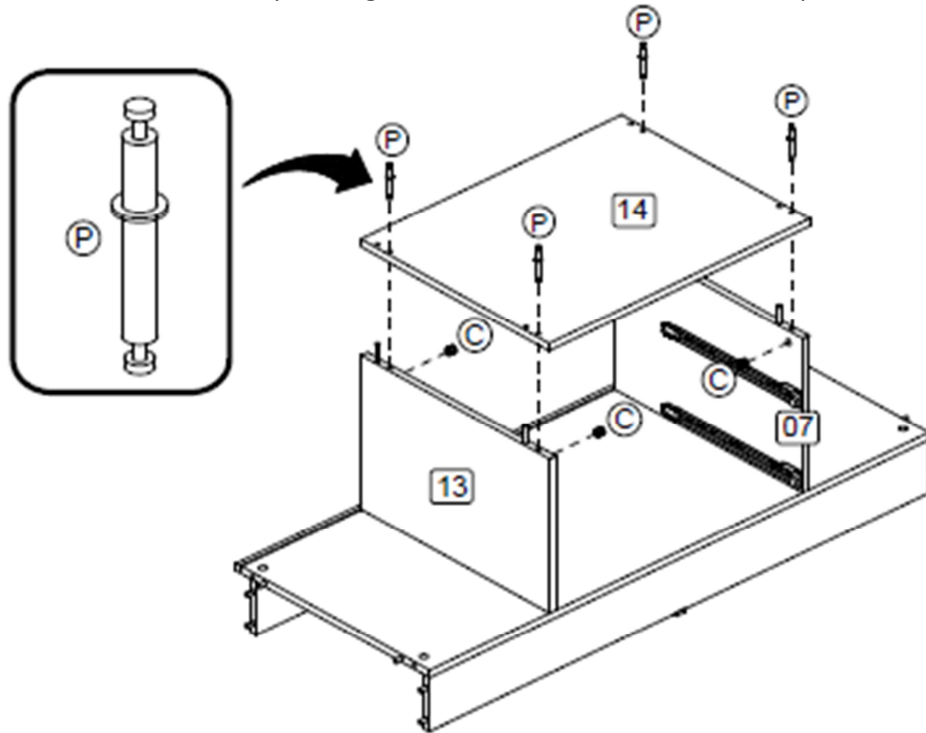
Step 2: Attach the drawer cabinet right panel (7) and drawer cabinet left panel (13) to the base panel (3) using hardware part S and a screwdriver (not provided).
DO NOT use any power tools as this may damage the frame and will invalidate any claim.



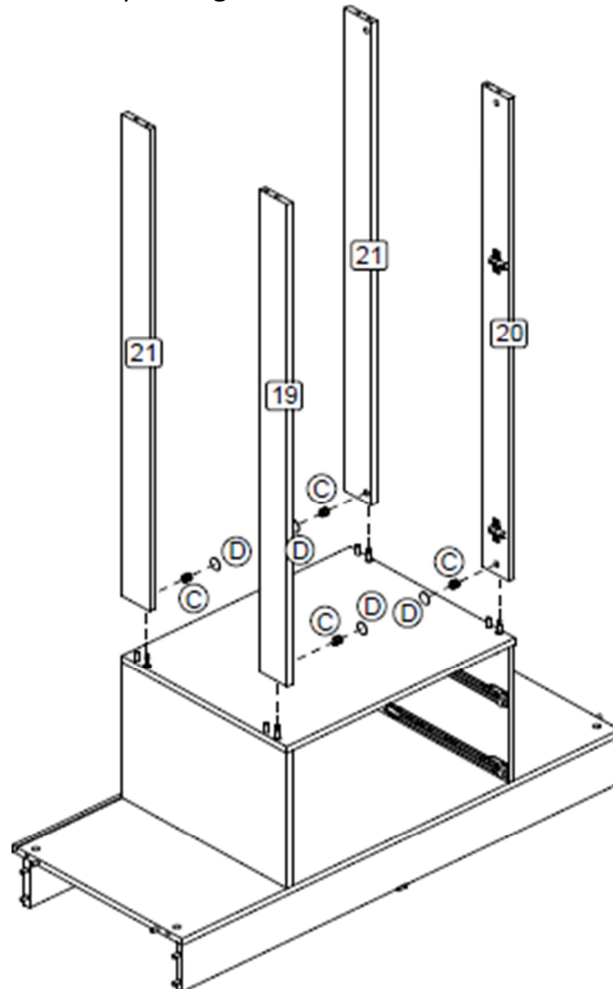
Step 3: Attach the plinths (22) to the base panel (3) using hardware parts H and T with a screwdriver (not provided). Fix hardware part J to the base using hardware part I and a small mallet (not provided).
DO NOT use any power tools as this may damage the frame and will invalidate any claim.



Step 4: Attach the drawer cabinet top panel (14) using hardware parts C and P with a screwdriver (not provided).
DO NOT use any power tools as this may damage the frame and will invalidate any claim.

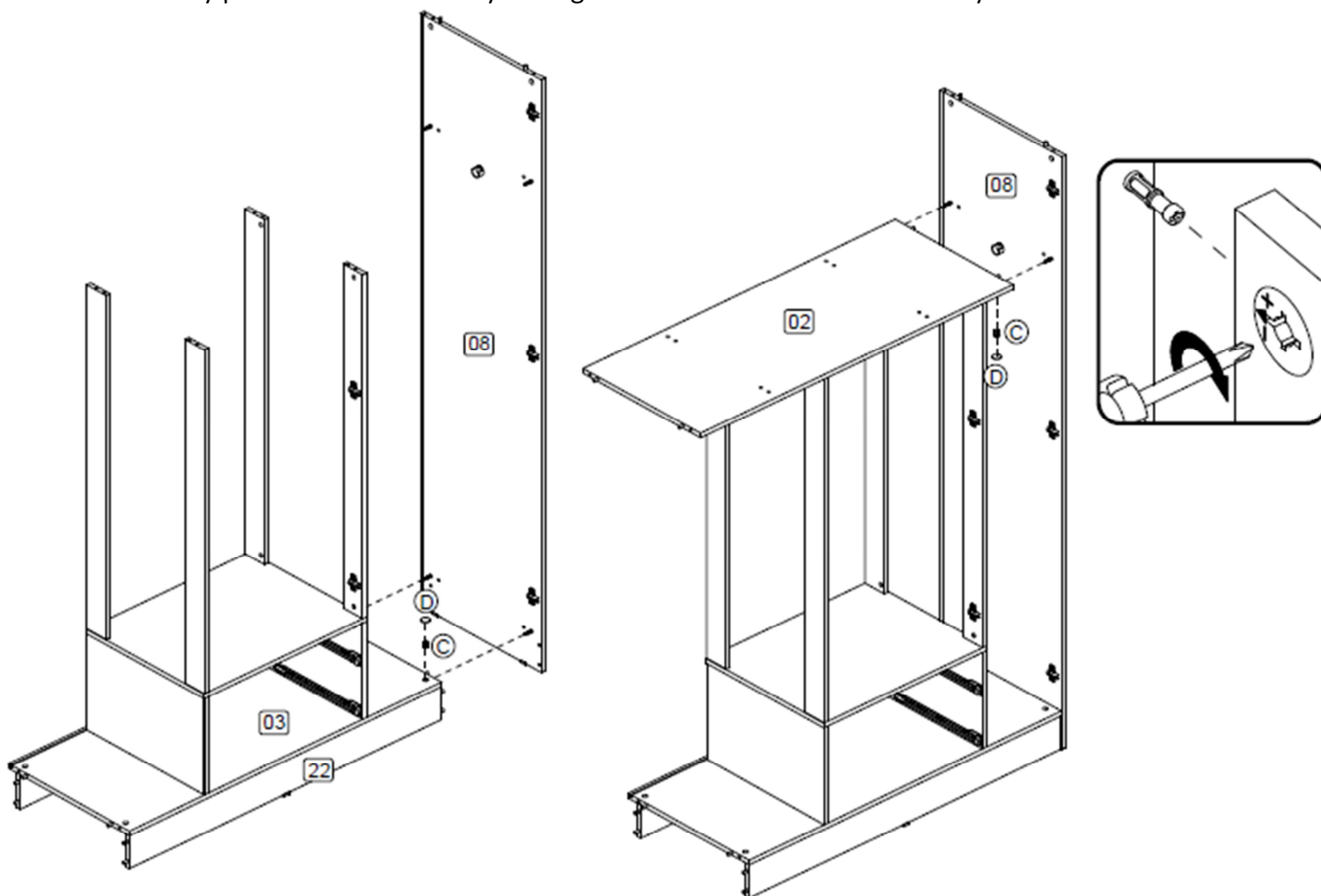


Step 5: Attach the supports using hardware parts C and D with a screwdriver (not provided).
DO NOT use any power tools as this may damage the frame and will invalidate any claim.

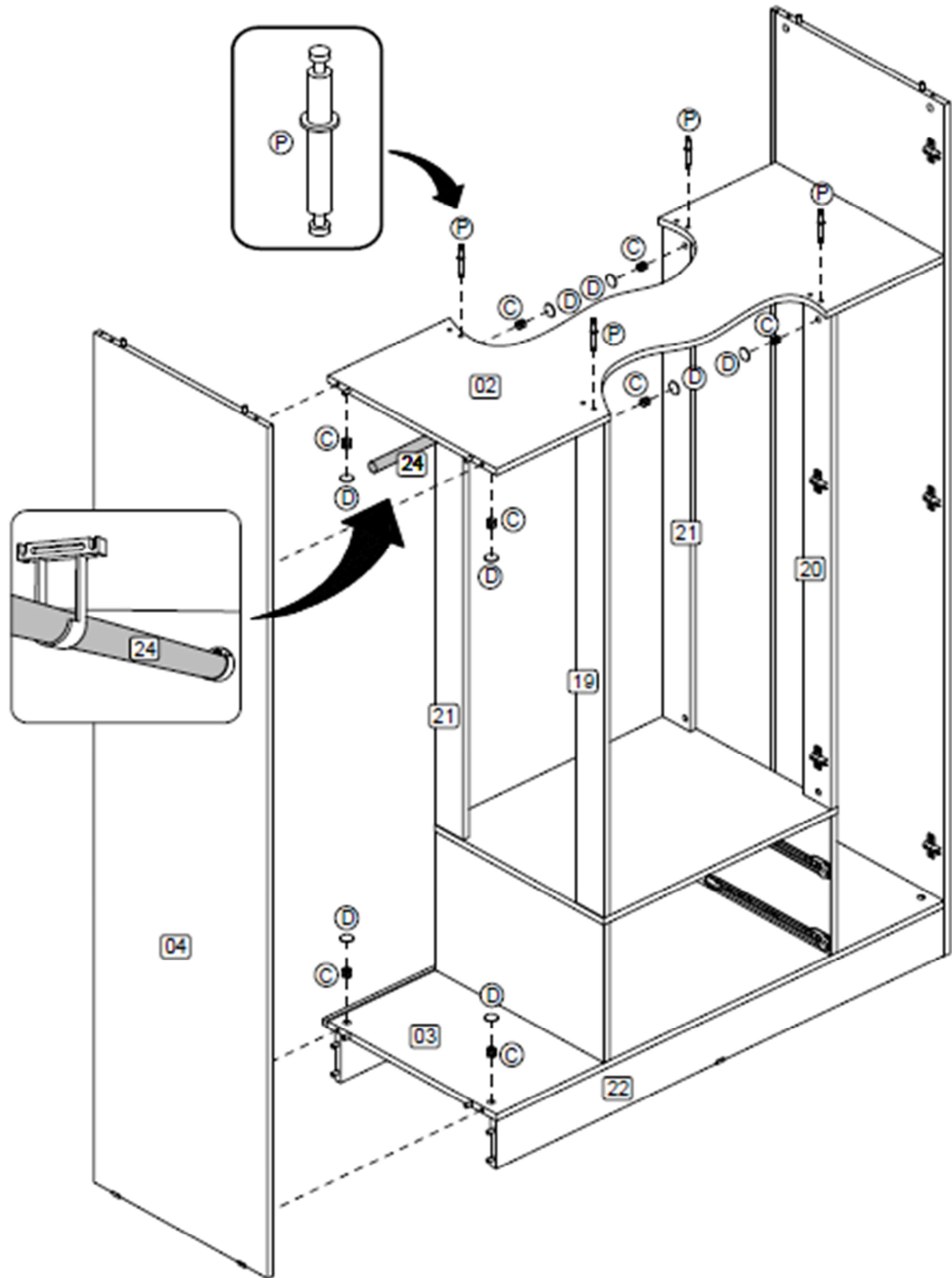


Step 6: Attach the right panel (8) and shelf (2) using hardware parts C and D and a screwdriver (not provided).

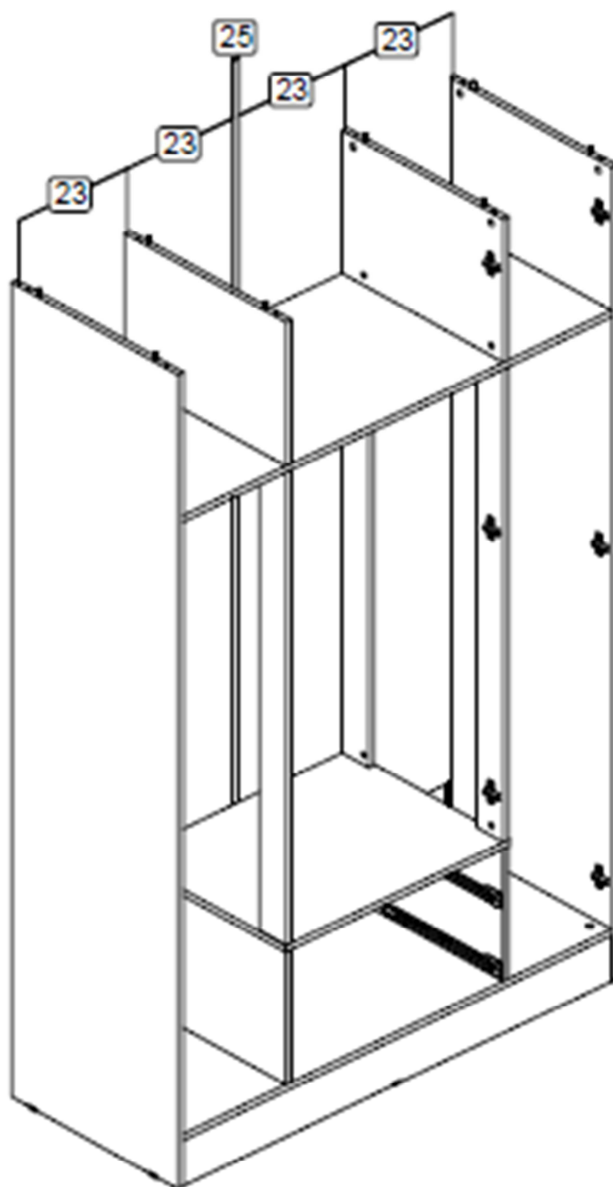
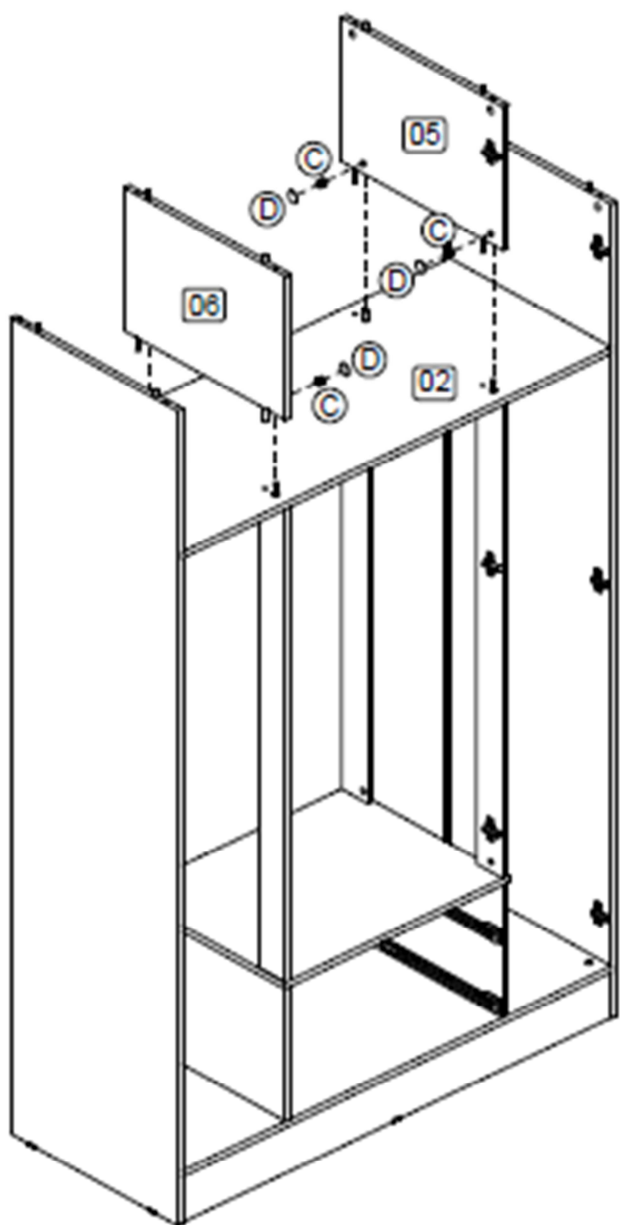
DO NOT use any power tools as this may damage the frame and will invalidate any claim.



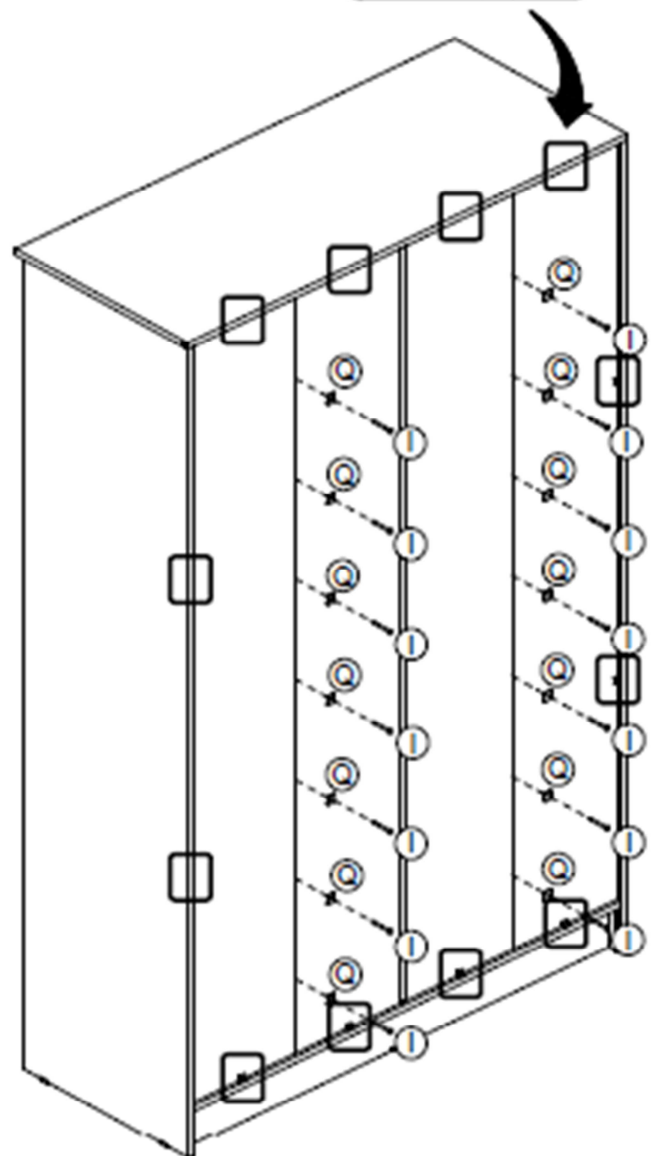
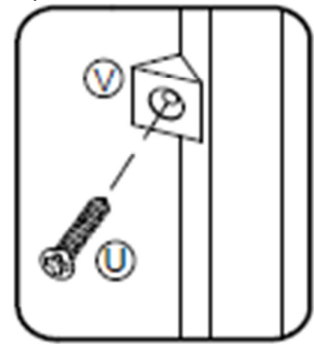
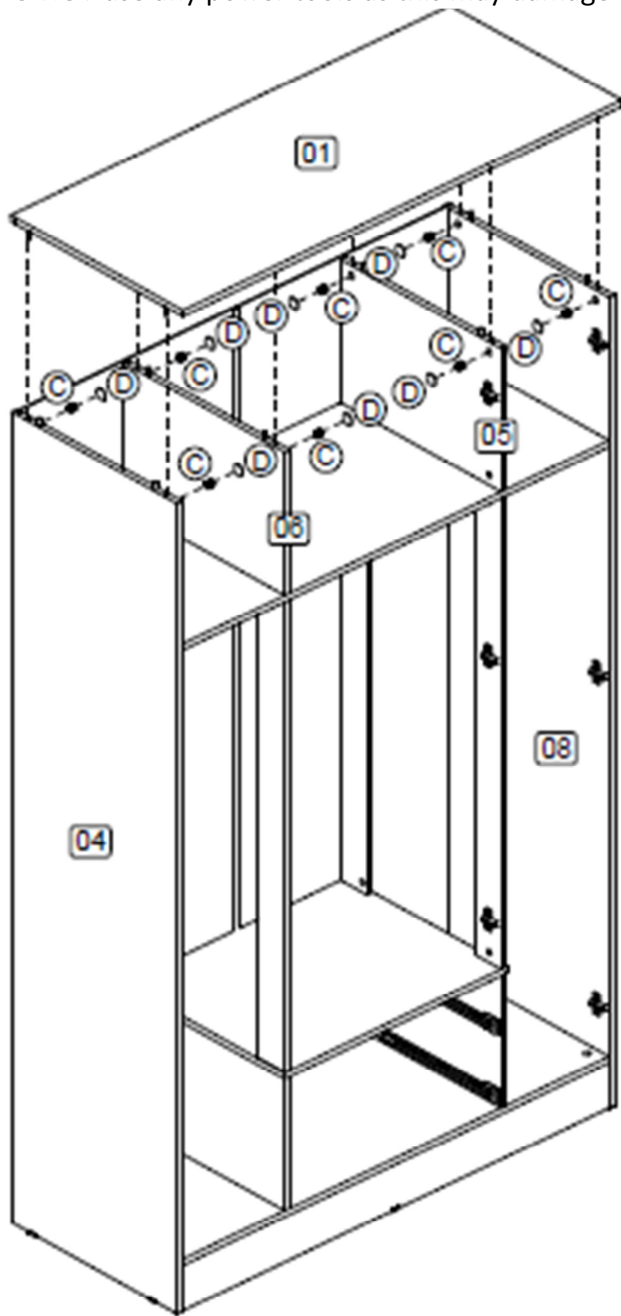
Step 7: Secure the shelf (2) to the supports using hardware parts C, D and P. Position the hanging rail (24). Attach the left panel (4) using hardware parts C and D. You will need to use a screwdriver (not provided). DO NOT use any power tools as this may damage the frame and will invalidate any claim.



Step 8: Attach the shelf dividers using hardware parts C and D with a screwdriver (not provided). Connect two back panels (23) together with the spine (25) and position. DO NOT use any power tools as this may damage the frame and will invalidate any claim.

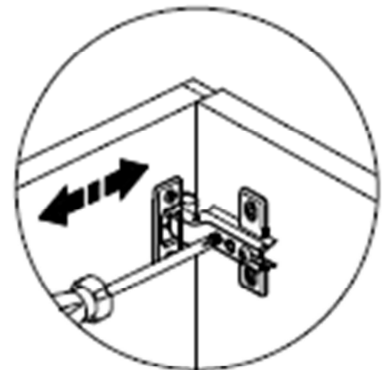
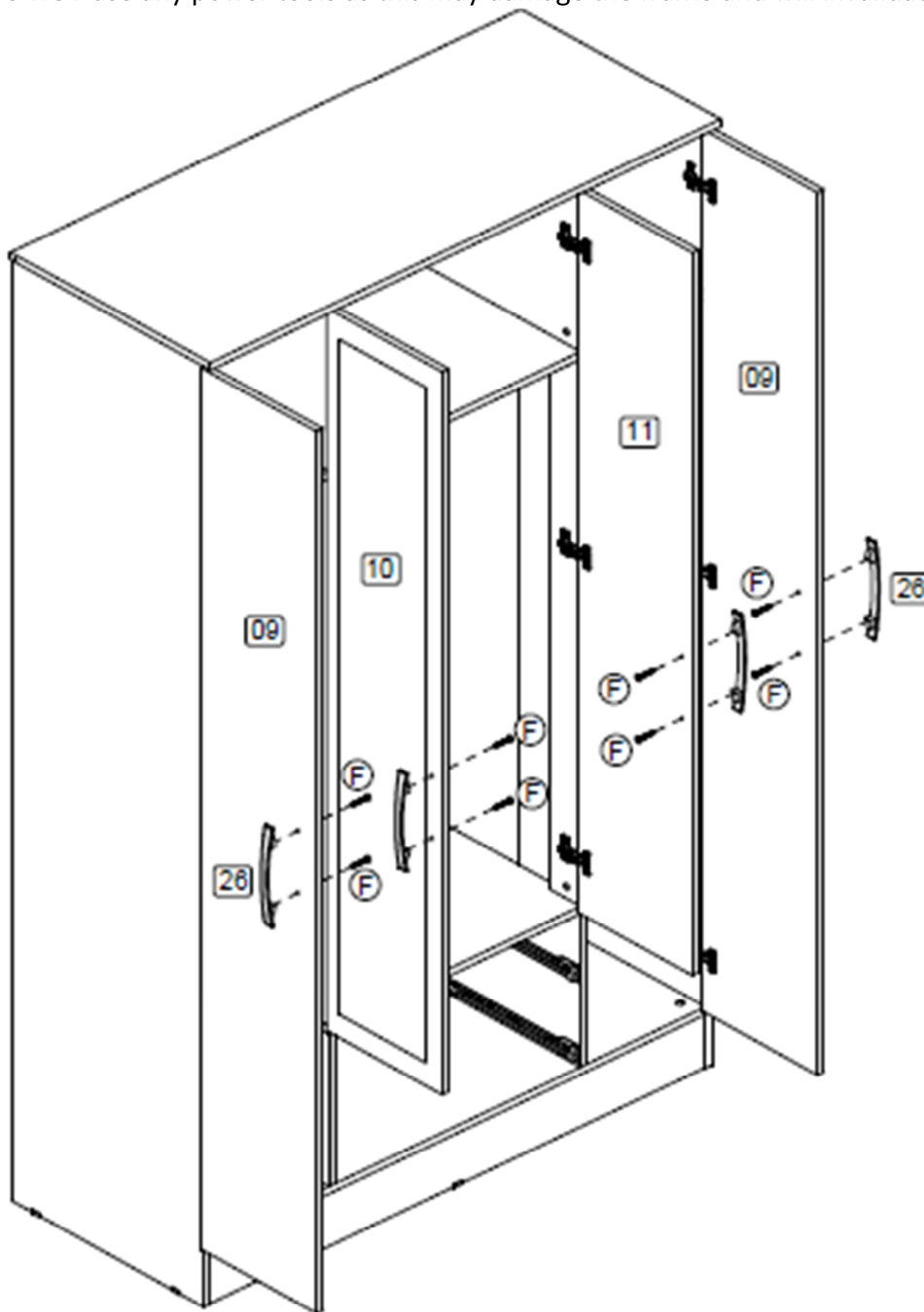


Step 9: Attach the top panel (1) using hardware parts C and D with a screwdriver (not provided). Secure the back panels (23) using hardware parts I, Q, V and U with a small mallet and screwdriver (not provided). DO NOT use any power tools as this may damage the frame and will invalidate any claim.

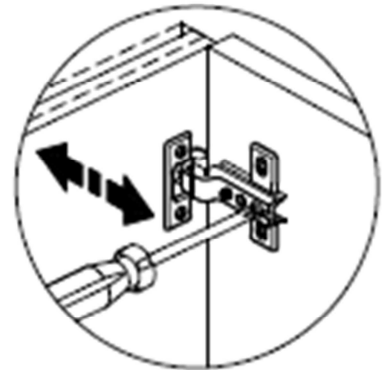


Step 10: Attach the doors as shown, then attach the handles (26) using hardware part F. You will need to use a screwdriver (not provided).

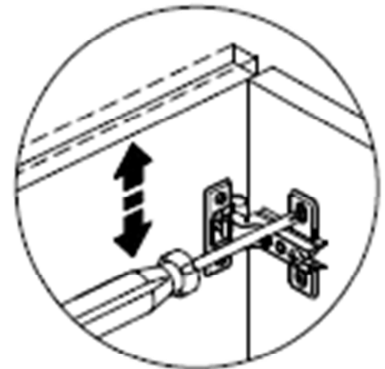
DO NOT use any power tools as this may damage the frame and will invalidate any claim.



Horizontal Adjustment

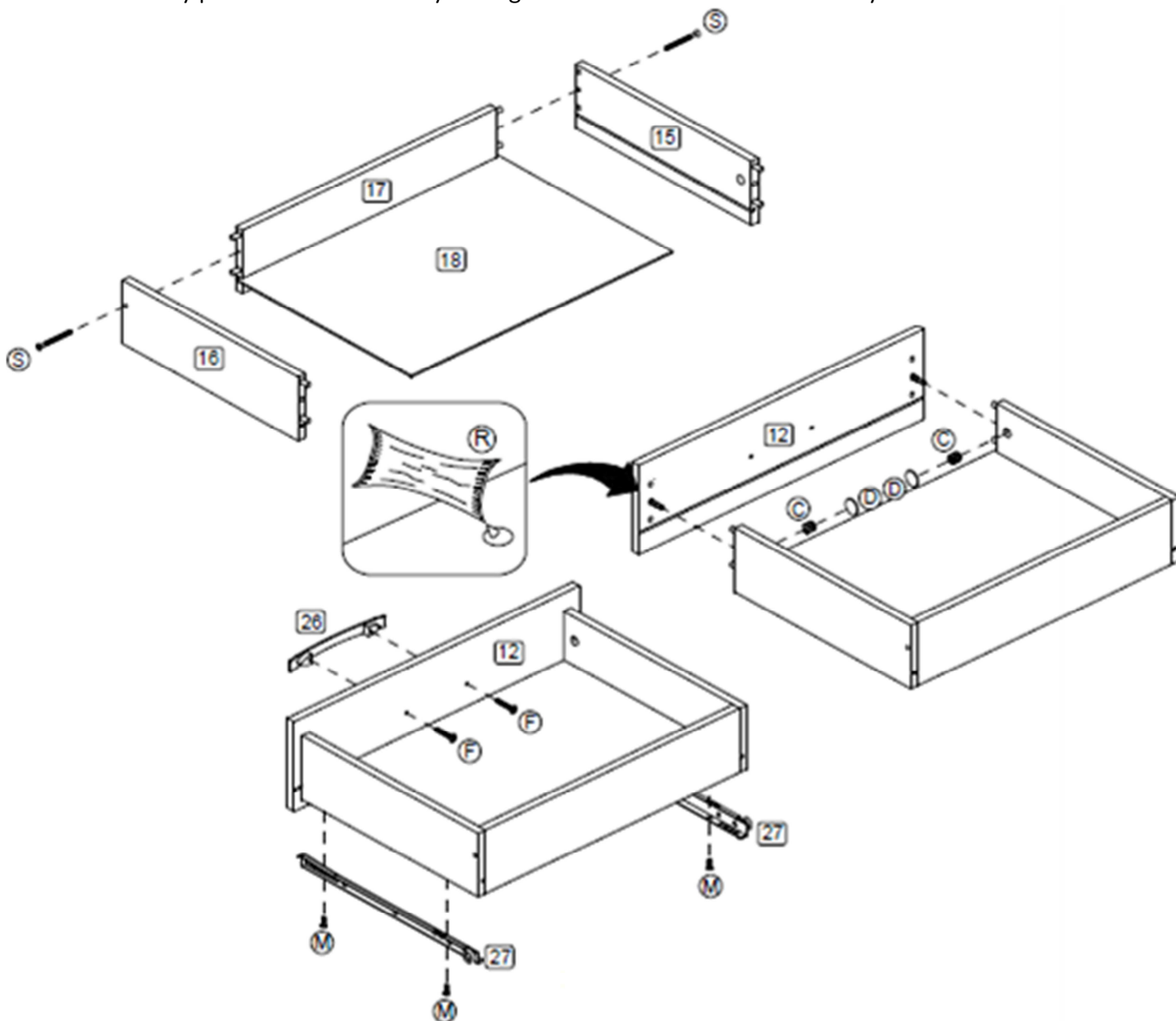


Depth Adjustment



Vertical Adjustment

Step 11: Assemble the drawer components using hardware parts C, D, F, M, R and S with a screwdriver (not provided).
DO NOT use any power tools as this may damage the frame and will invalidate any claim.



Additional Information: