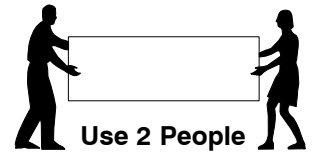
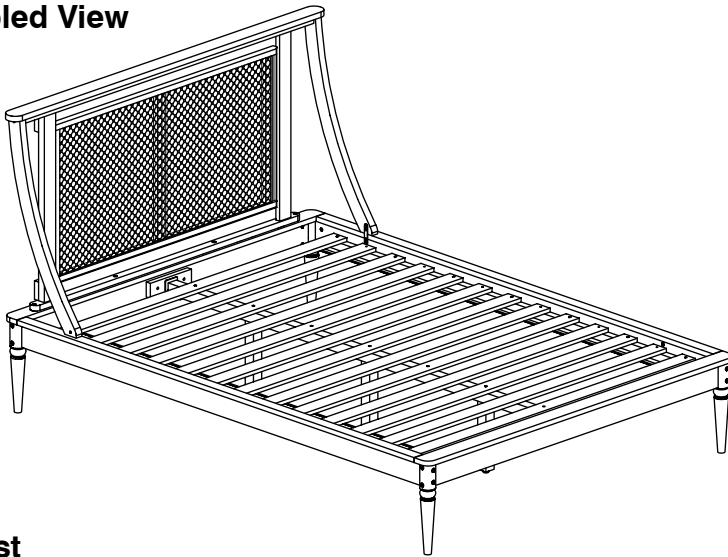


Full Bed

Assembly Instructions

WI-1220

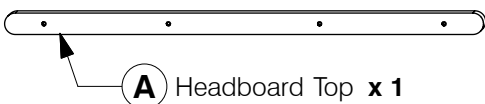
1 Assembled View



Note: Do not assemble using power tools. This can cause the bolts to be overtightened

2 Parts List

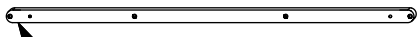
Parts in Box A:



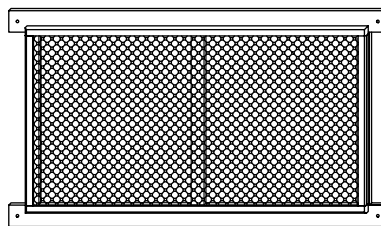
A Headboard Top x 1



B Headboard Top Rail x 1



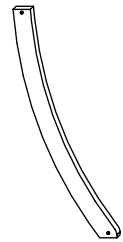
C Headboard Bottom Rail x 1



D
Headboard Frame
x 1

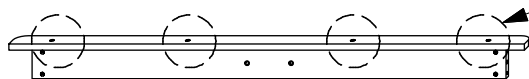


E
Headboard Support x 2



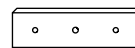
F
Headboard Side Bar x 2

Parts in Box B:



G Headboard Panel x 1

Extra Holes



L Head / Footboard Support x 2



H Footboard Panel x 1



M
Post (Left Hand) x 2



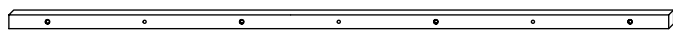
N
Post (Right Hand) x 2



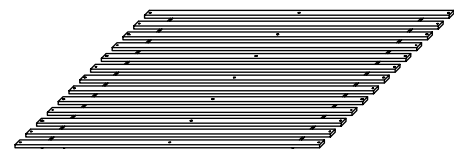
O
Support Leg x 3



J Side Rail x 2



K Long Support x 1



P Set of Bed Slats x 1

Full Bed

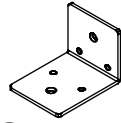
Assembly Instructions

WI-1220

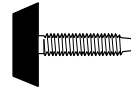
3 Hardware List



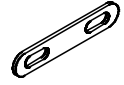
1 M4 Allen Key
x 1



2 Center Rail
Bracket x 2



3 Adjustable
Foot x 3



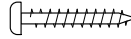
4 Bracket (2003)
x 2



5 Wood Dowel
(M10 x 40mm) x 8



6 Barrel
Nut x 19



7 Wood Screw
(M4 x 32mm) x 12



8 M6 JCN Nut
x 2



9 M6 x
15mm JCB
x 6



10 M6 x
25mm JCB
x 2



11 M6 x
30mm JCB
x 16



12 M6 x
40mm JCB
x 24

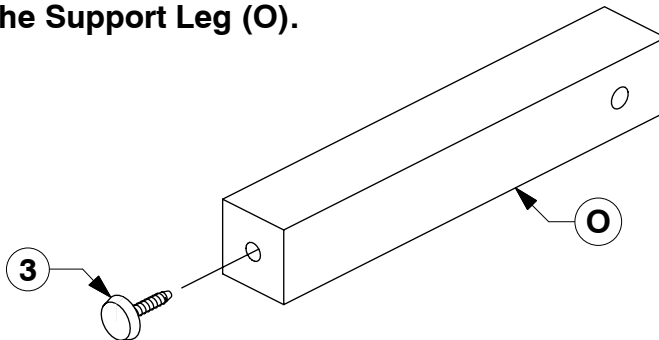


13 M6 x 90mm JCB
x 16



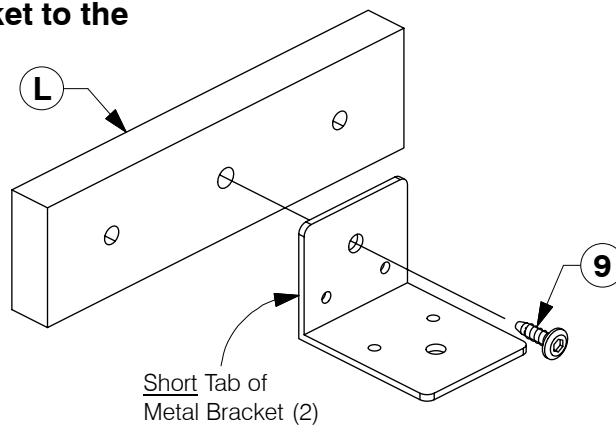
14 M6 x 100mm JCB
x 3

4 Fix the Adjustable foot to the bottom of the Support Leg (O).



x3

5 Fit the Center Rail Bracket to the Head / Footboard Support (L).



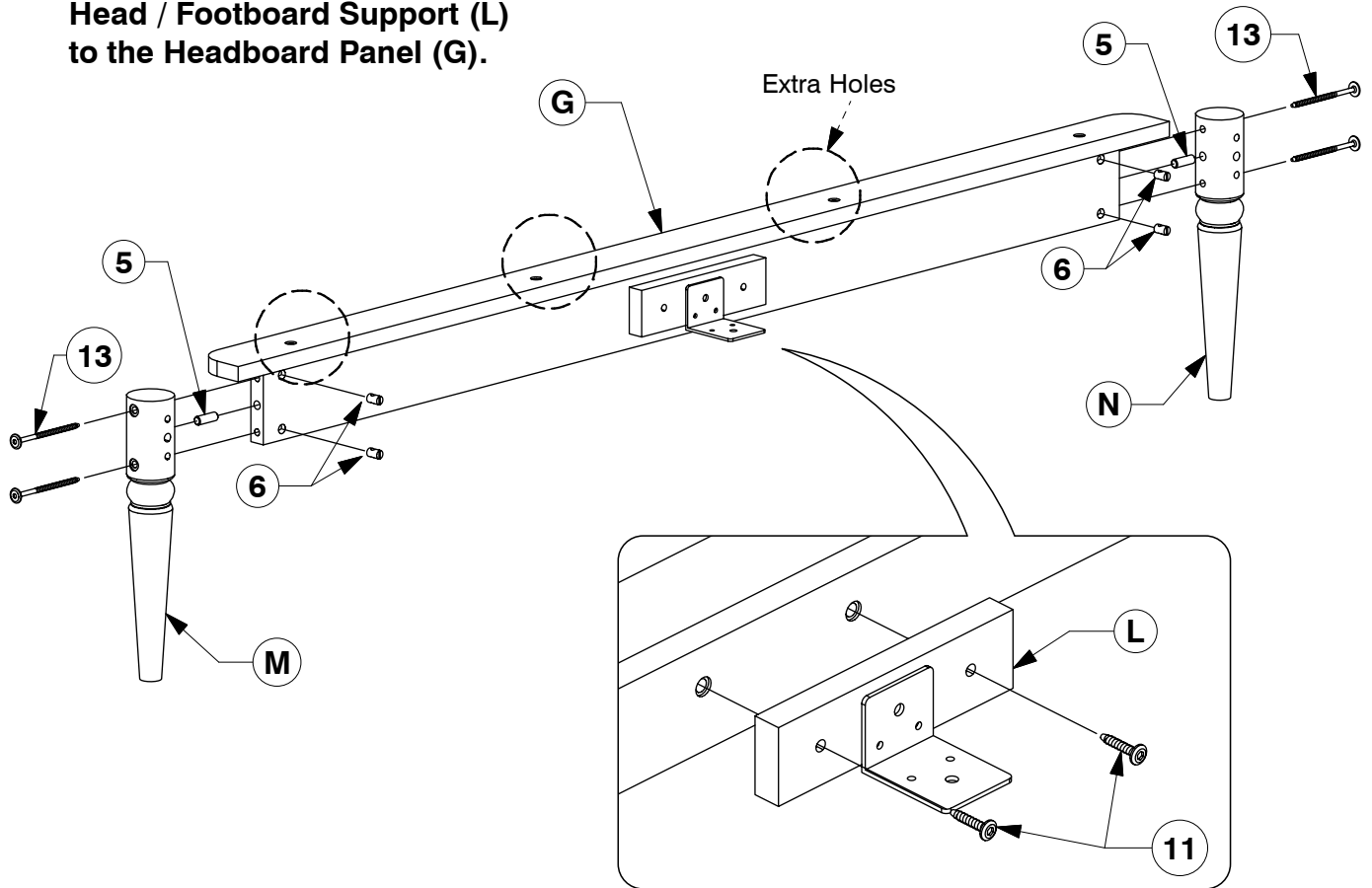
x2

Full Bed

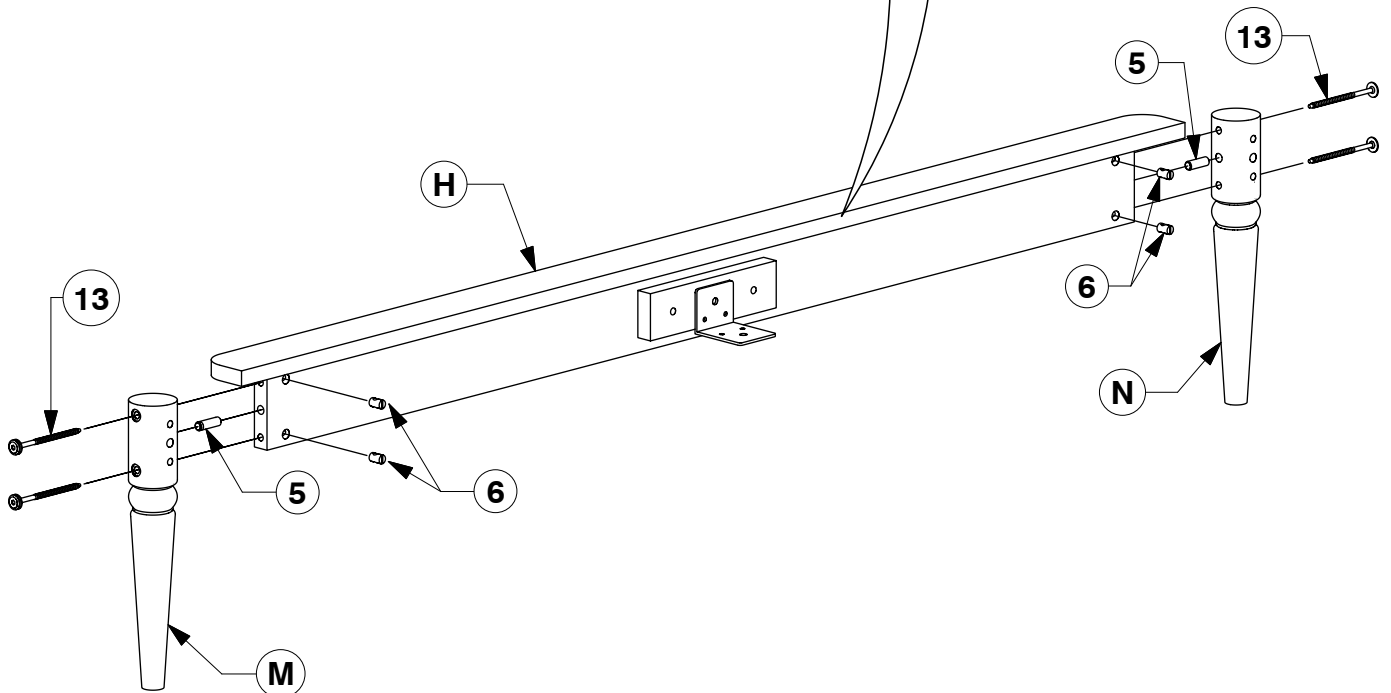
Assembly Instructions

WI-1220

- 6** Assemble the Post (M & N) and Head / Footboard Support (L) to the Headboard Panel (G).



- 7** Assemble the Post (M & N) and Head / Footboard Support (L) to the Footboard Panel (H).

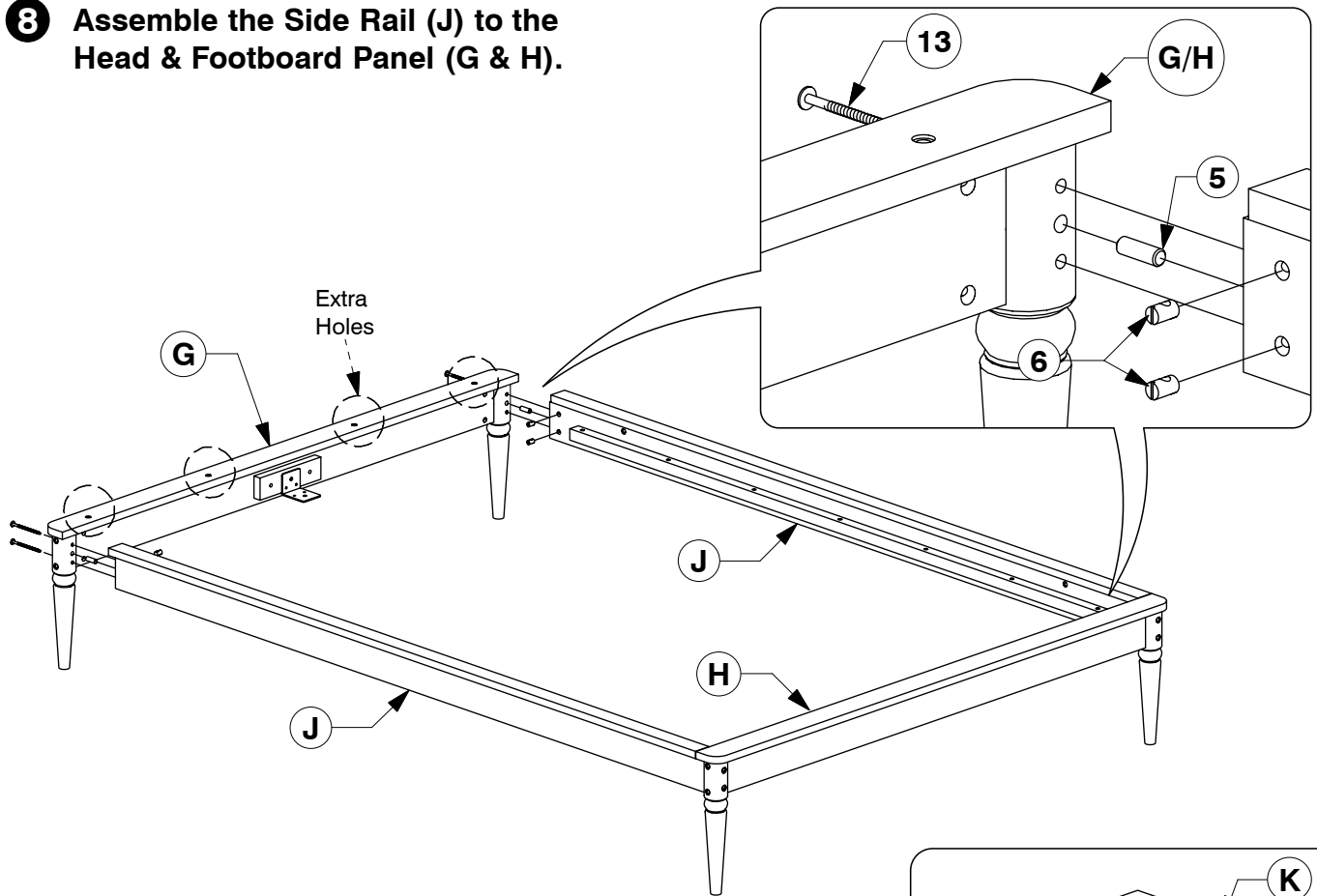


Full Bed

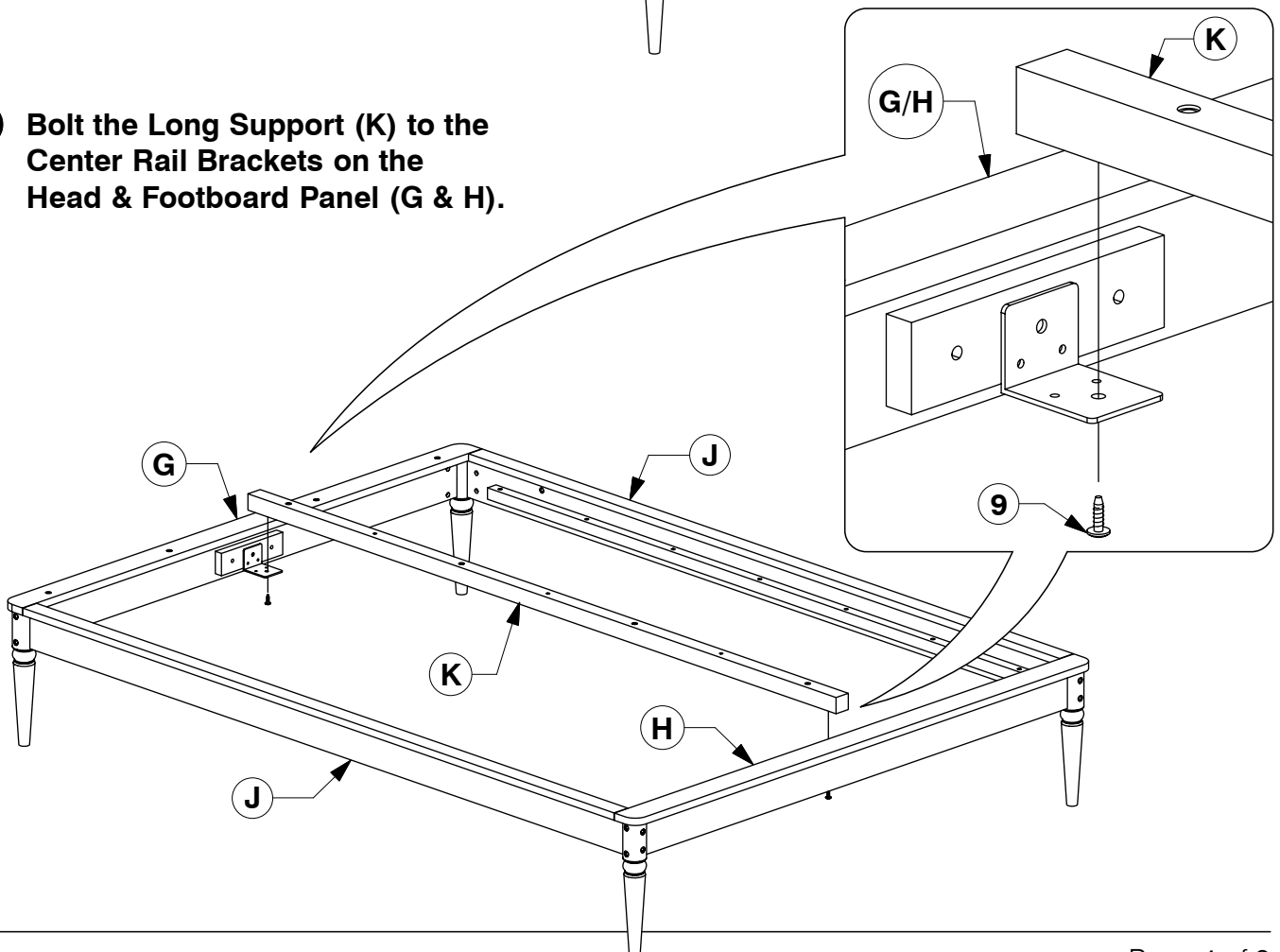
Assembly Instructions

WI-1220

- 8** Assemble the Side Rail (J) to the Head & Footboard Panel (G & H).



- 9** Bolt the Long Support (K) to the Center Rail Brackets on the Head & Footboard Panel (G & H).

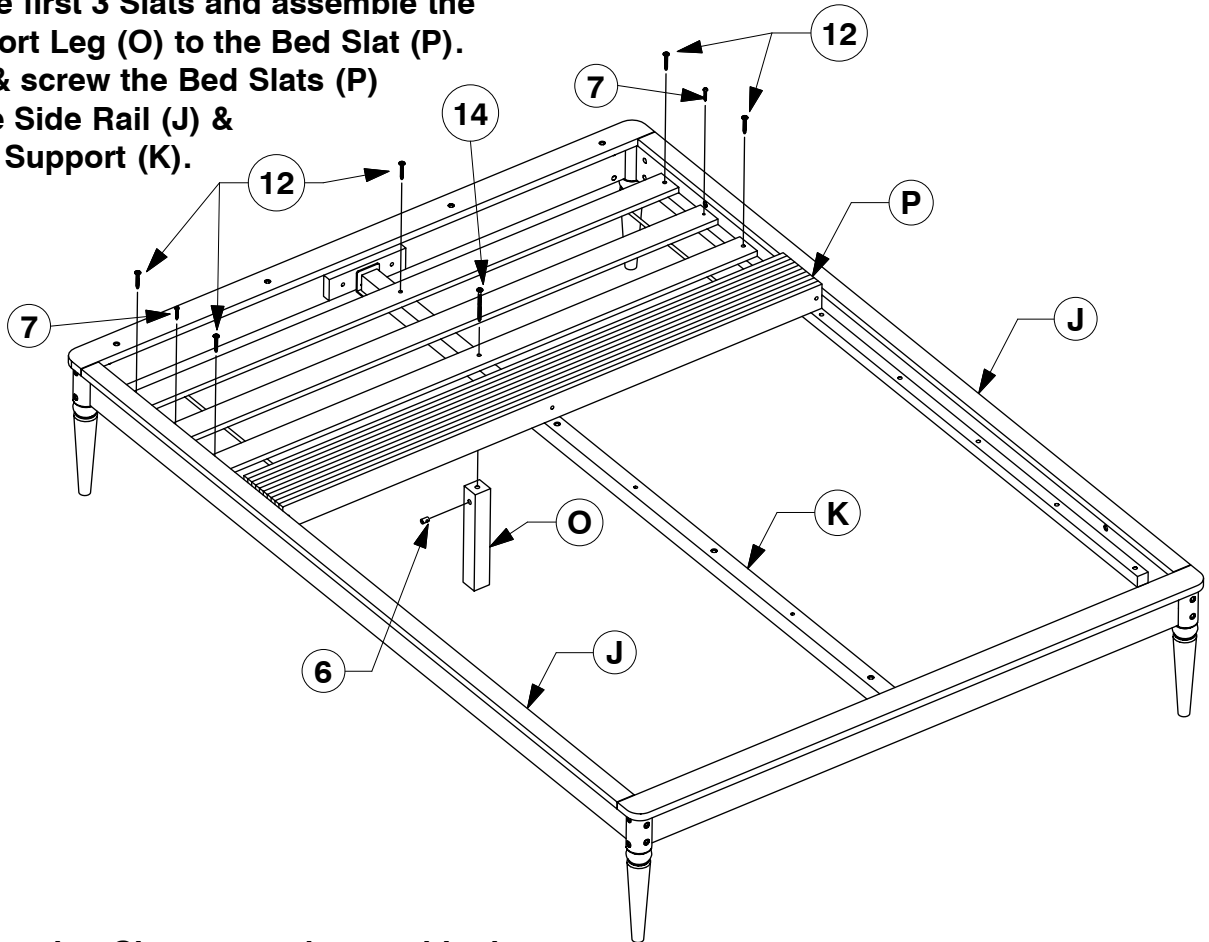


Full Bed

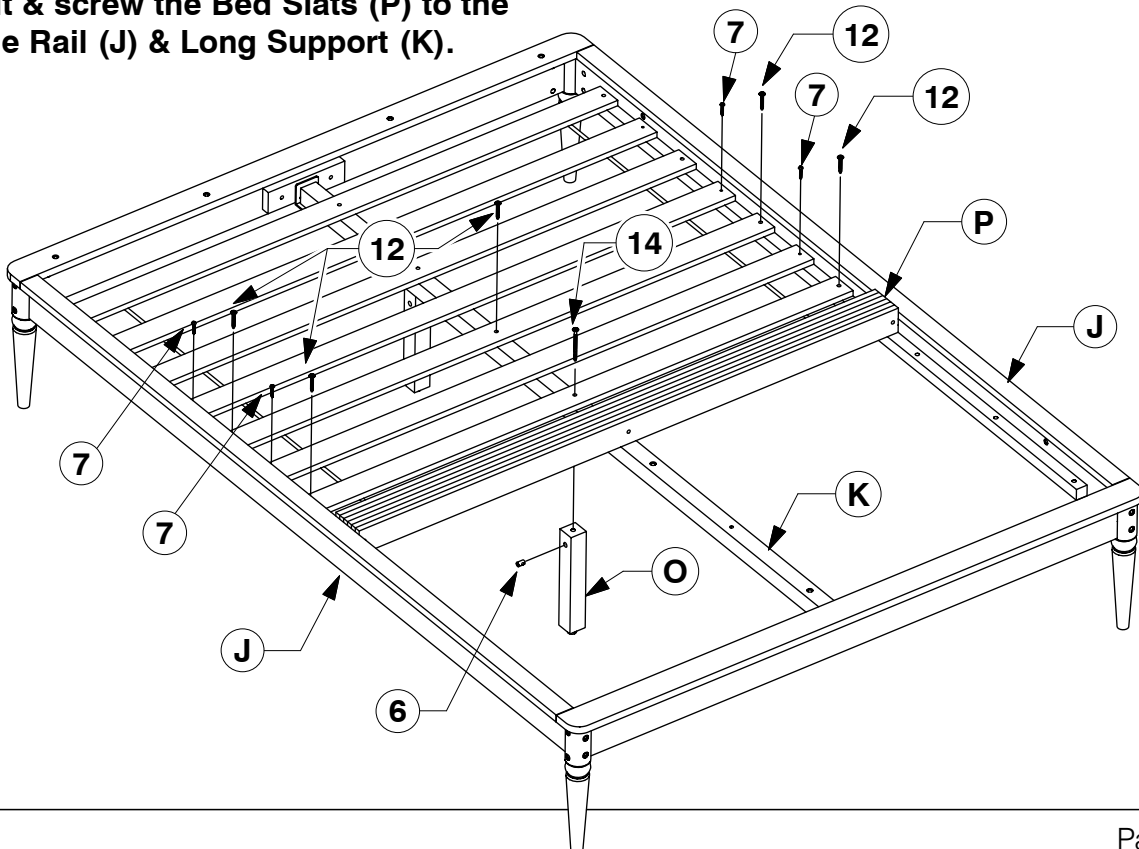
Assembly Instructions

WI-1220

- 10** Fit the first 3 Slats and assemble the Support Leg (O) to the Bed Slat (P). Bolt & screw the Bed Slats (P) to the Side Rail (J) & Long Support (K).



- 11** Fit the other Slats out and assemble the Support Leg (O) to the Bed Slat (P). Bolt & screw the Bed Slats (P) to the Side Rail (J) & Long Support (K).

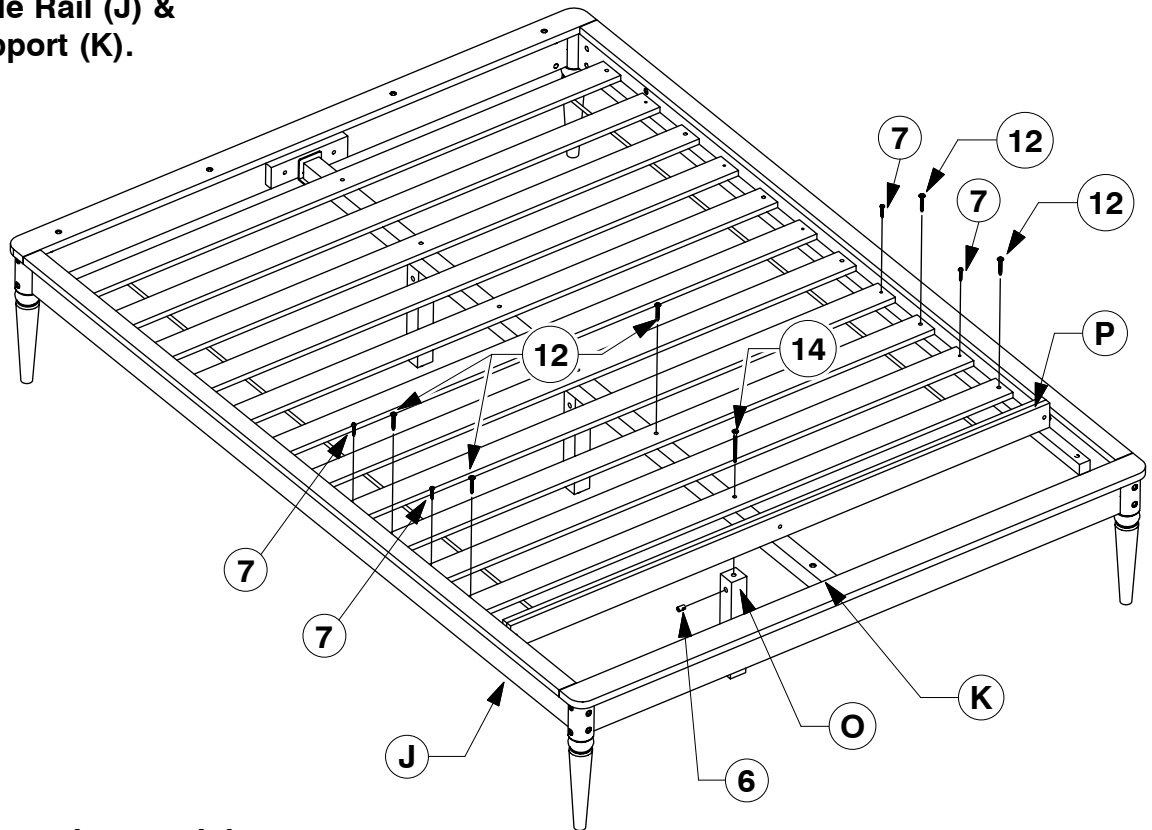


Full Bed

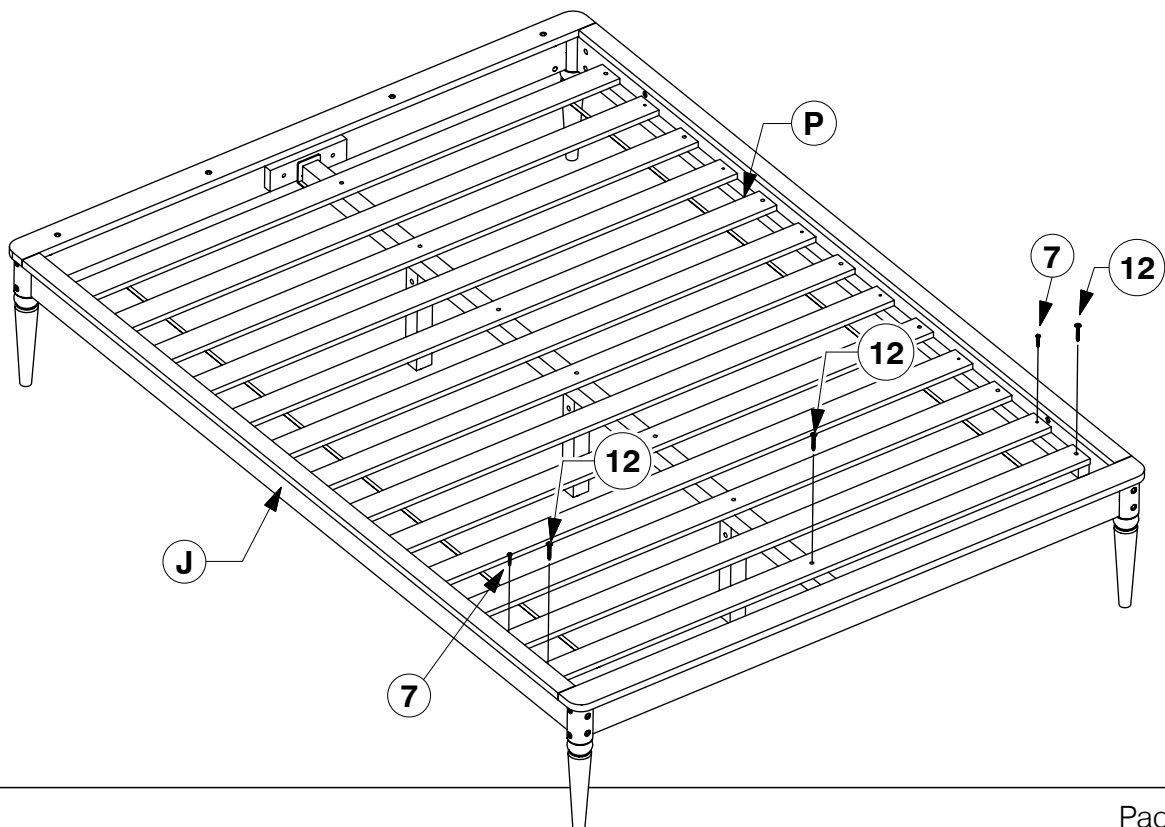
Assembly Instructions

WI-1220

- 12** Fit the other Slats out and assemble the Support Leg (O) to the Bed Slat (P). Bolt & screw the Bed Slats (P) to the Side Rail (J) & Long Support (K).



- 13** Bolt & screw the remaining Bed Slats (P) to the Side Rail (J).

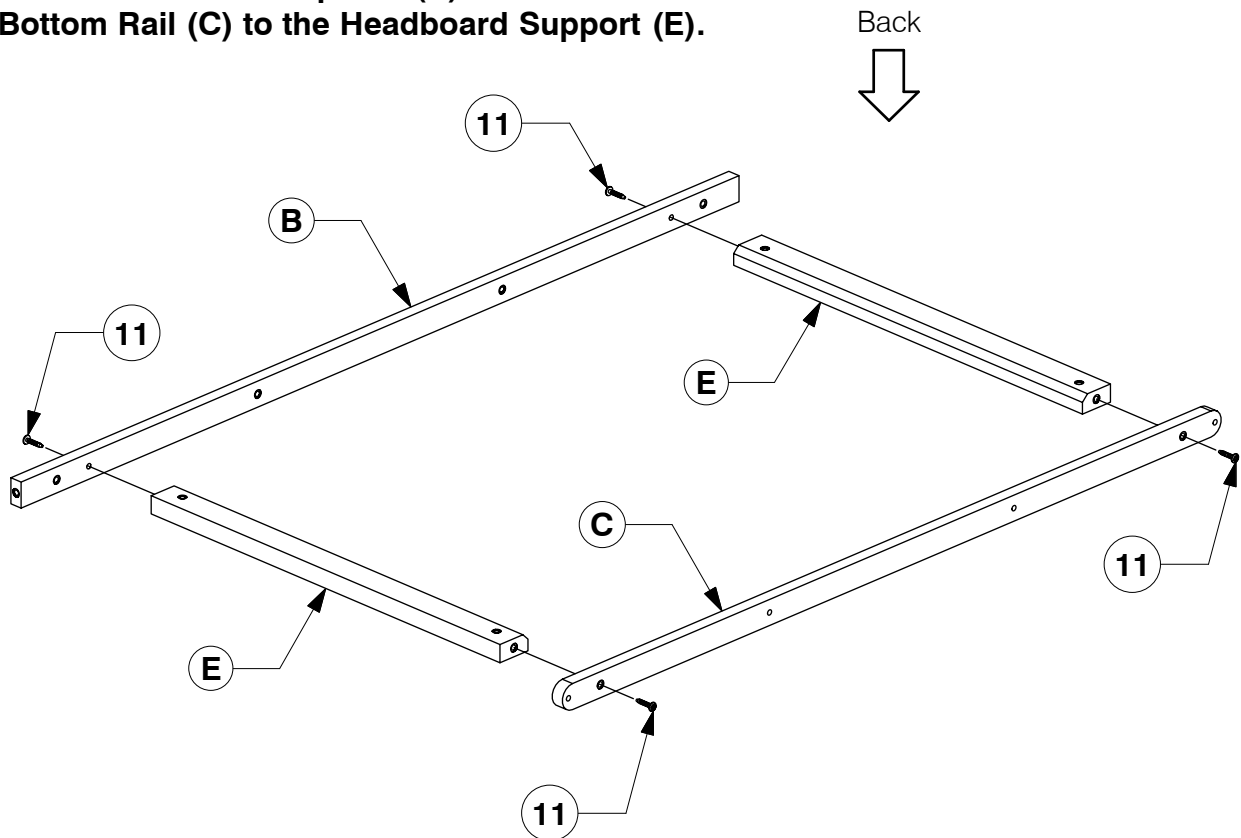


Full Bed

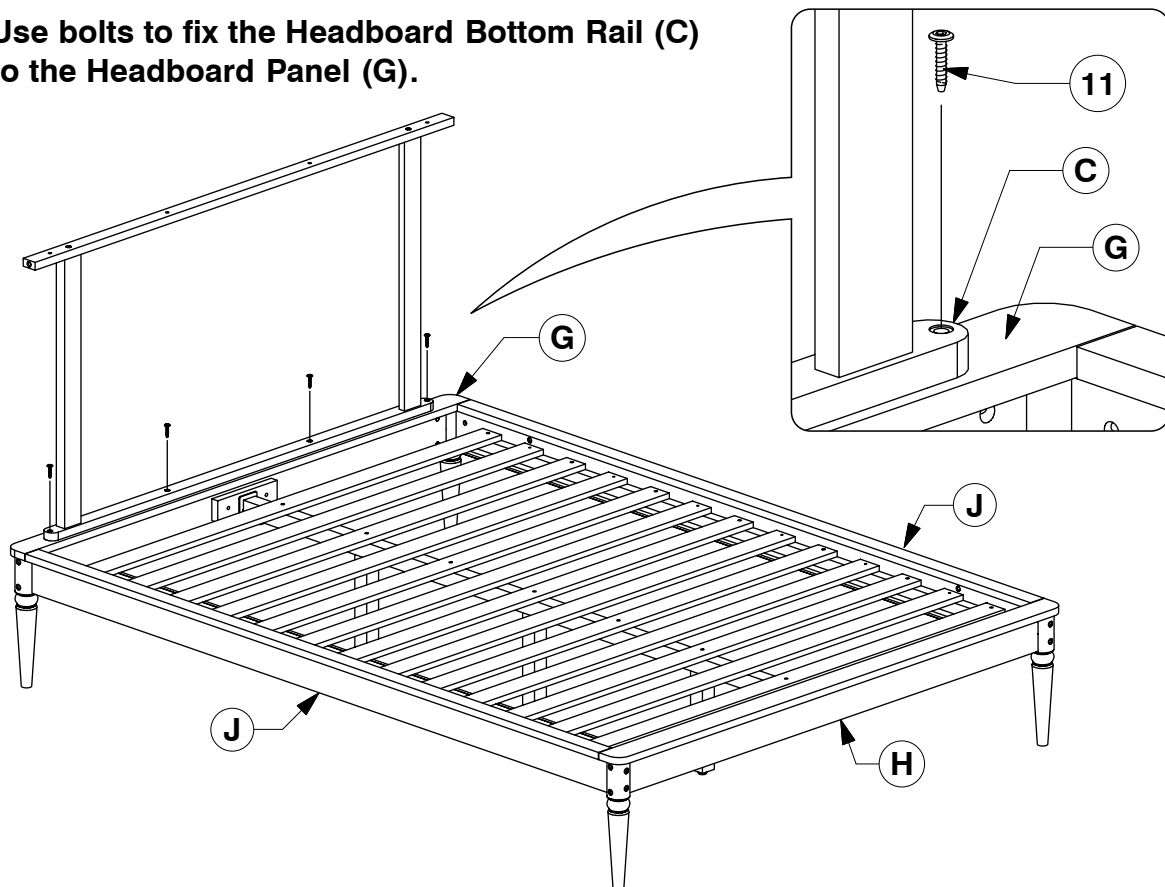
Assembly Instructions

WI-1220

- 14** Fit the Headboard Top Rail (B) & Headboard Bottom Rail (C) to the Headboard Support (E).



- 15** Use bolts to fix the Headboard Bottom Rail (C) to the Headboard Panel (G).

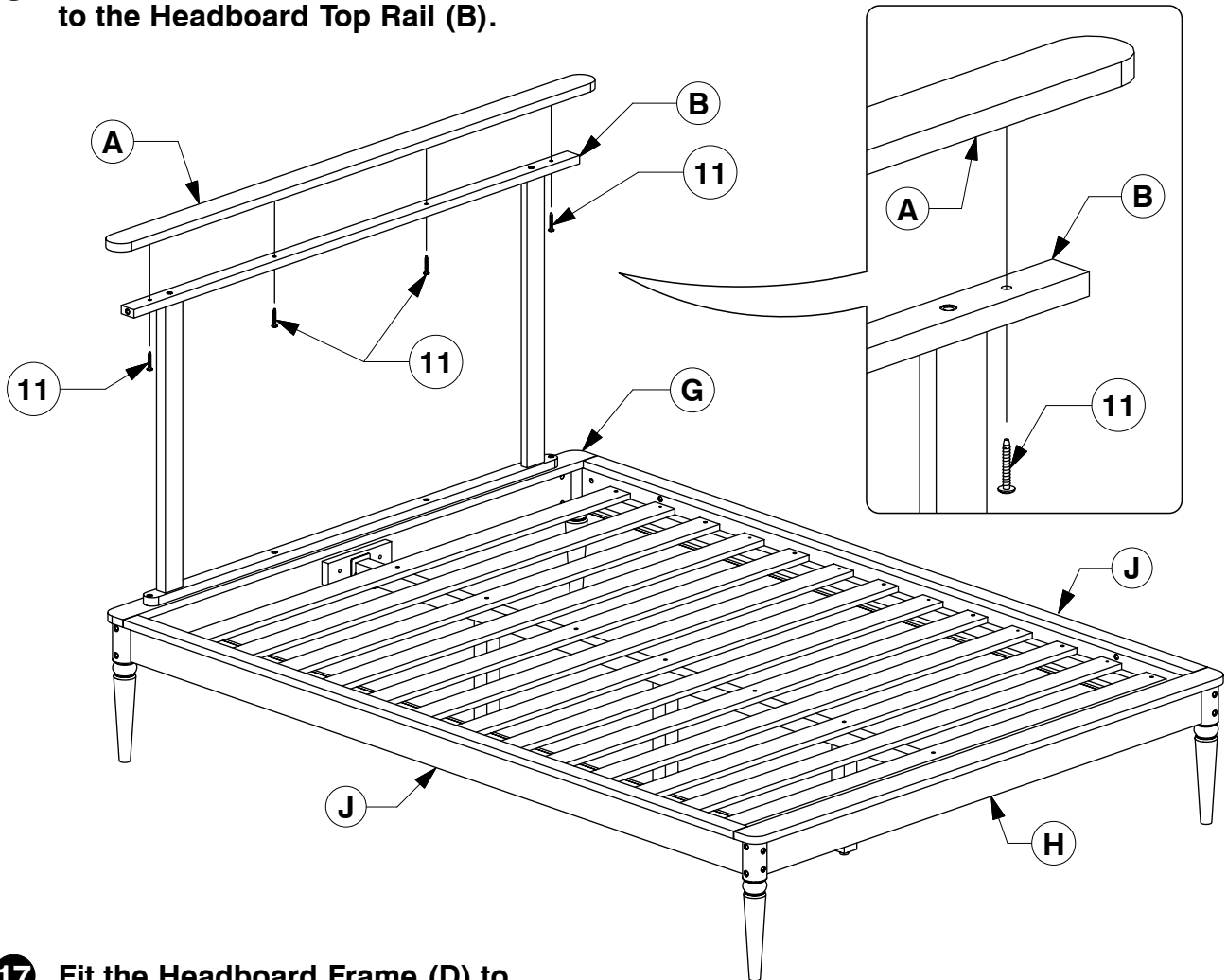


Full Bed

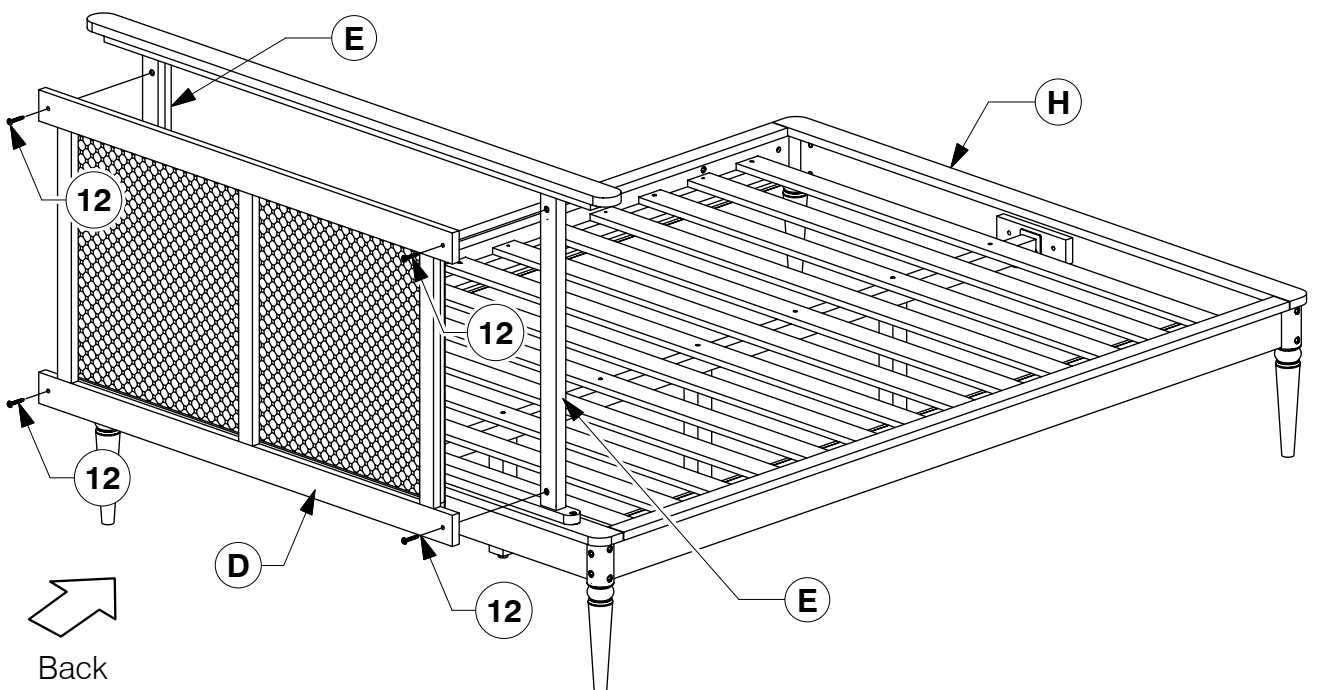
Assembly Instructions

WI-1220

- 16** Fit the Headboard Top (A) to the Headboard Top Rail (B).



- 17** Fit the Headboard Frame (D) to the Headboard Support (E).



Full Bed

Assembly Instructions

WI-1220

- 18** Fit the Headboard Side Bar (F) to the Headboard Top Rail (B) & Side Rail (J).

