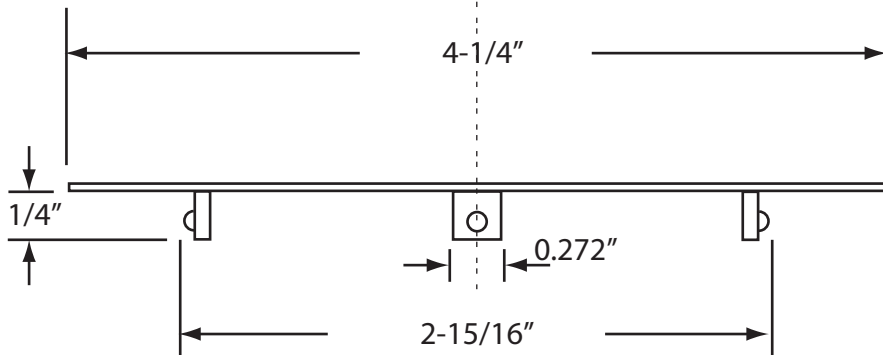
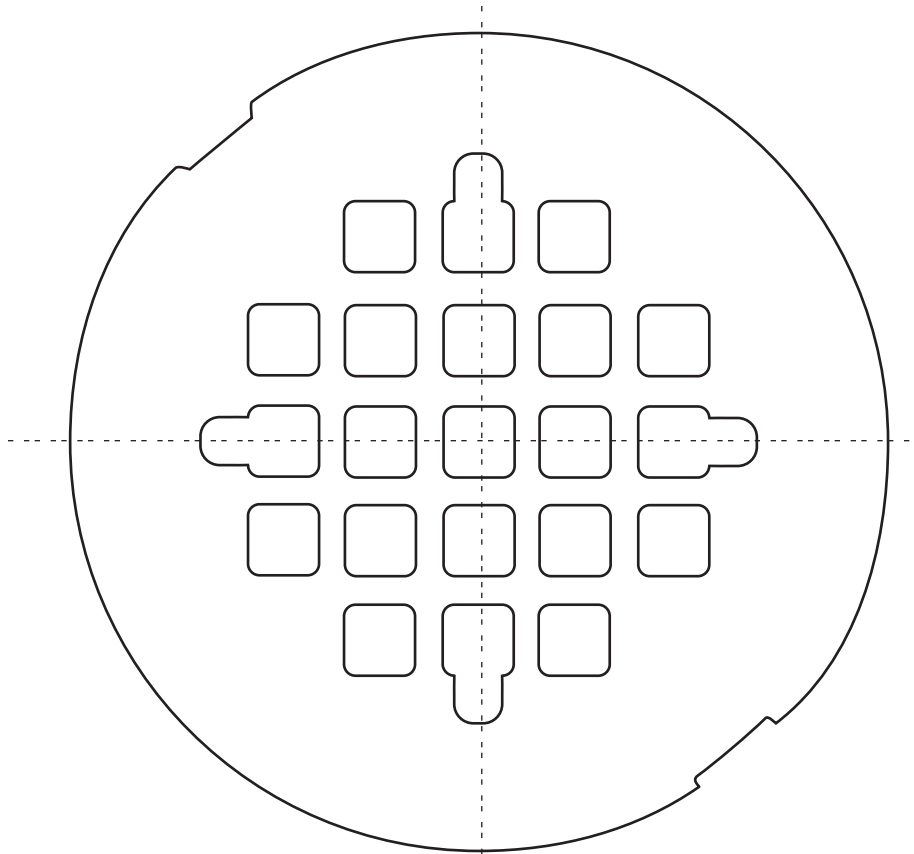


D319



**WESTBRASS**  
Fine Decorative Plumbing Since 1935

2429 E. Olympic Blvd.  
Los Angeles, CA 90021

TITLE Snap-in Casper Strainer Brass Construction

DWG NO. D319

DATE 8-8-2012

REV A

Scale 1 to 1

mrohfs

Sheet 1 of 1