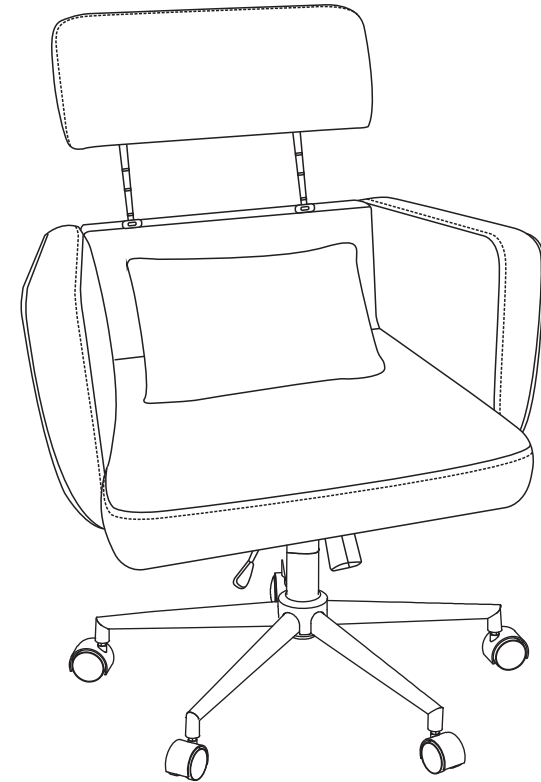


WARRANTY

1. We strive to offer high-quality products, and we also try our best to satisfy each and every customer that orders from us with product or service as needed.
2. We provide 30 days warranty starting from the time you receive the item. Each customer must provide a record of their order such as the order number, or item receipt for any items that are out of the warranty period you may also still receive.
3. Replacement parts by purchasing them with our company if they are available.

For return, please check the return policy with the retailer or market place you bought from.

Appreciate your purchasing from us.
Pop up your life by our furniture piece!



OWNER MANUAL

NOTE:

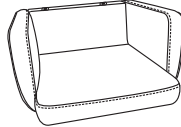
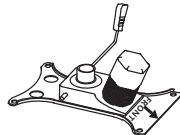
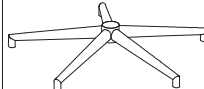



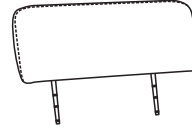

This brochure contains IMPORTANT safety info. Please read and keep for future reference.

MAINTENANCE AND WARNING





- 1.Keep furniture away from heat sources.
- 2.Do not clean furniture with harsh cleaner or polishes.Do not use detergents,solvents,abrasives,spray packs or leather cleaner. Use non-color mild soa with warm water to clean spills(Mix 1:10 soap to water).
- 3.Do not place furniture under direct sunlight,material will possibly fade over time.
- 4.Do not use on site dry cleaning machine.Children should not climb or jump on the furniture.
- 5.Do not write on furniture that is not protectedby a padded barrier.
- 6.Not for commercial use,only for residential use.






PARTS LIST

A	x1	B	x1	C	x1	D	x1
							
Seat Frame		Mechanism		Spider base		Metal base cap	
E	x5	F	x1	G	x1	H	x1
							
Casters		Gas lift		Head Pillow		Throw pillows	

HARDWARE LIST

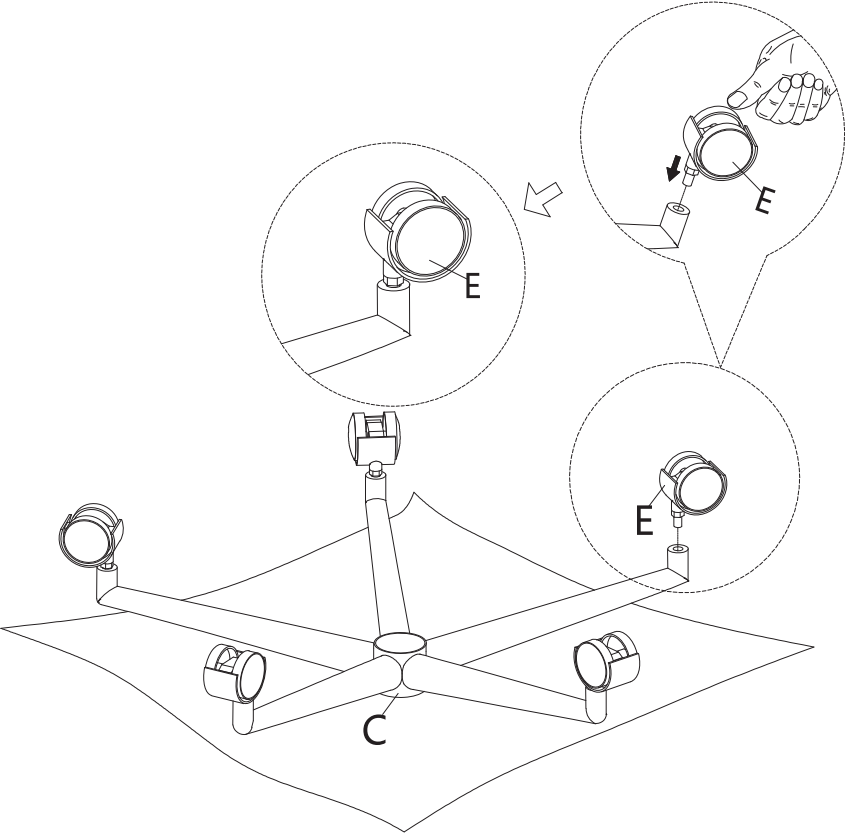
#1	x4	#2	x1	#3	x4	#4	x4
							
Ø6x20mm		M6		Flat washer		Spring washer	

HARDWARE SPARE LIST

#1	x1	#3	x1	#4	x1
					
Ø6x20mm		Flat washer		Spring washer	

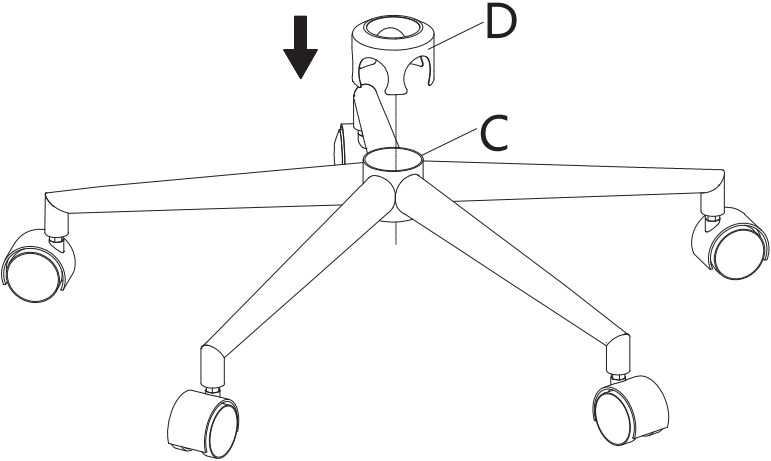
ASSEMBLY INSTRUCTIONS

STEP-1



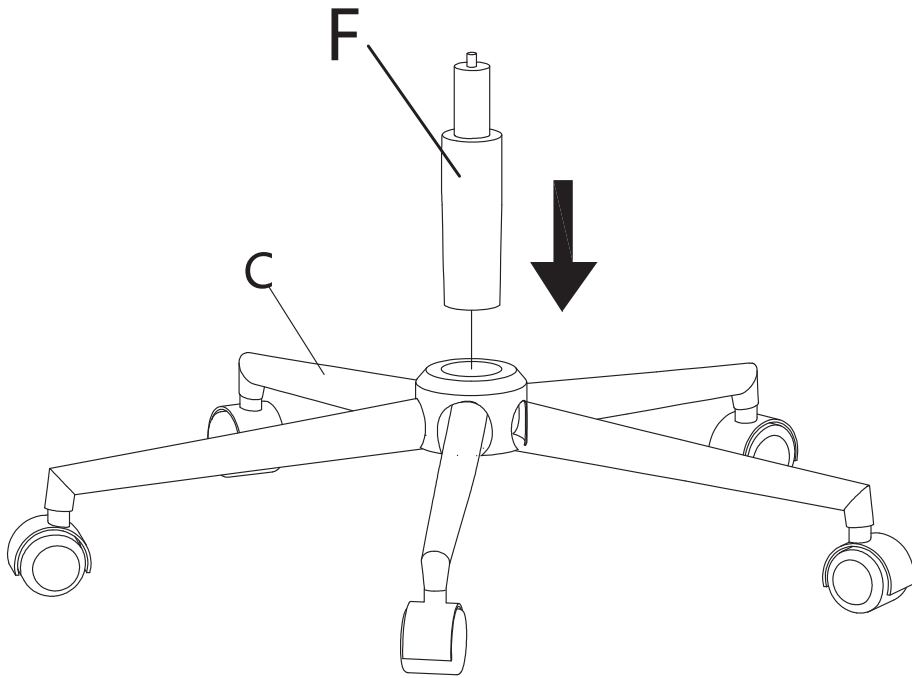
ASSEMBLY INSTRUCTIONS

STEP-2



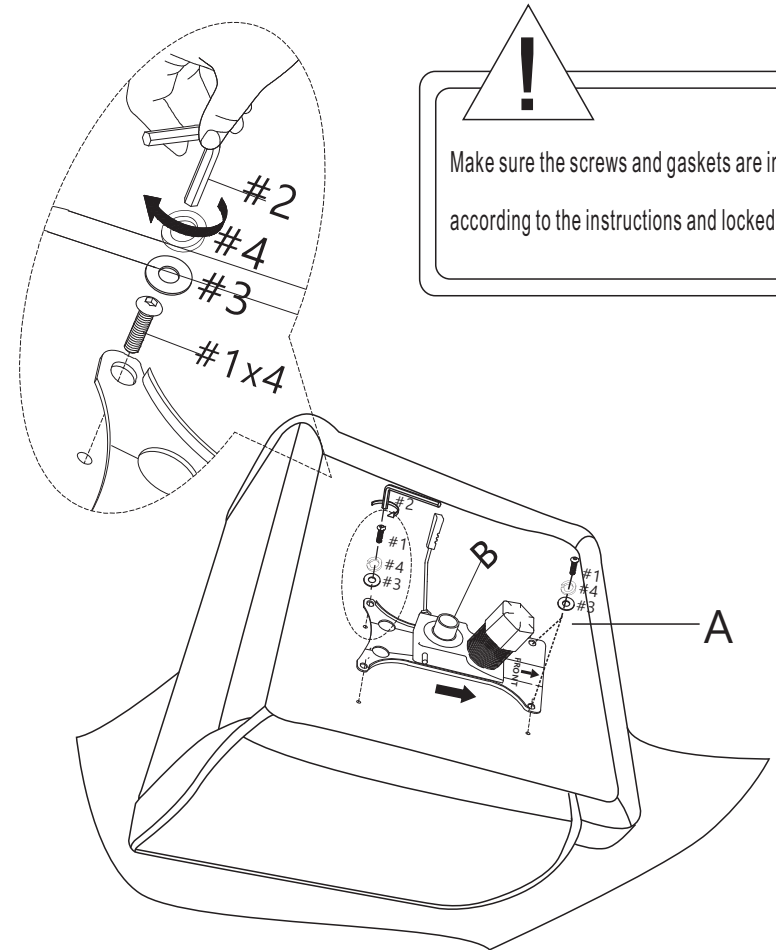
ASSEMBLY INSTRUCTIONS

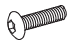
STEP-3





ASSEMBLY INSTRUCTIONS


STEP-4



#1	x4
	
ø6x20mm	

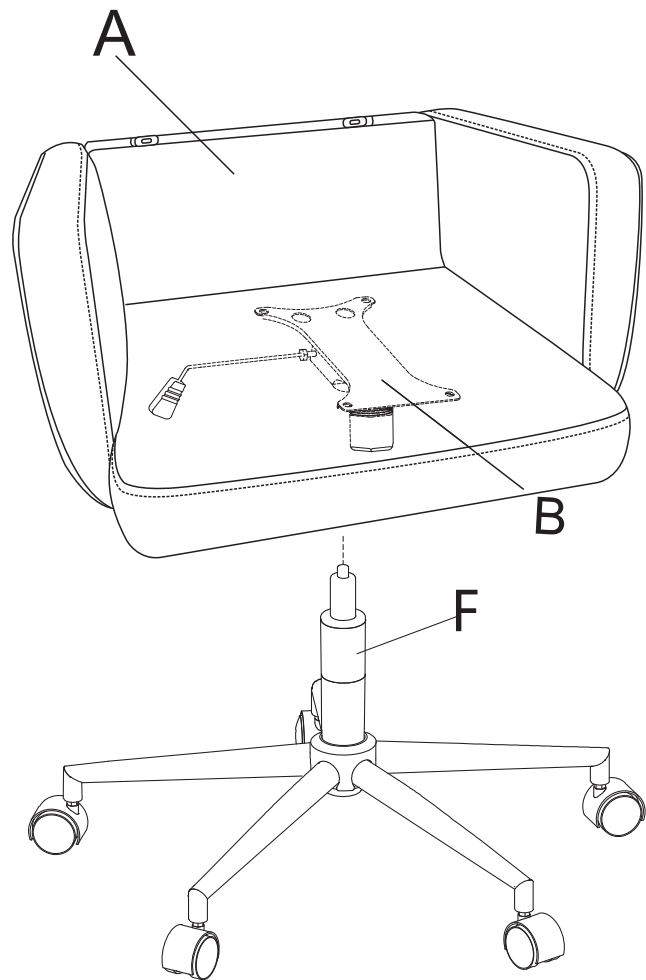
#2	x1
	
M6	

#3	x4
	
Flat washer	

#4	x4
	
Spring washer	

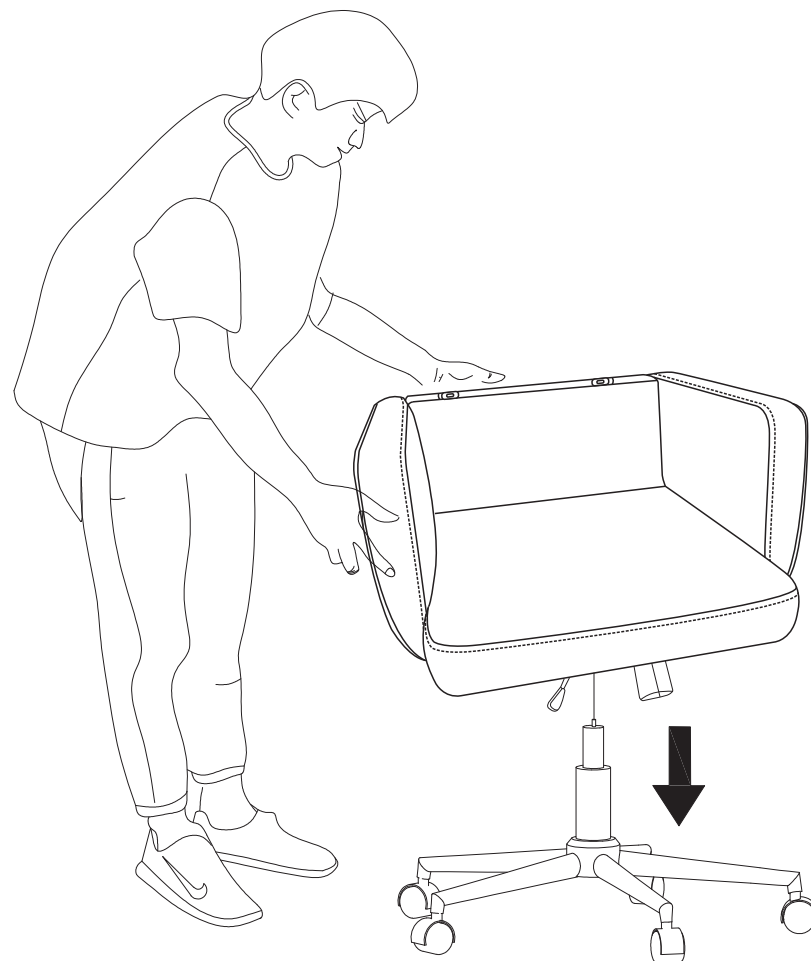
ASSEMBLY INSTRUCTIONS

STEP-5



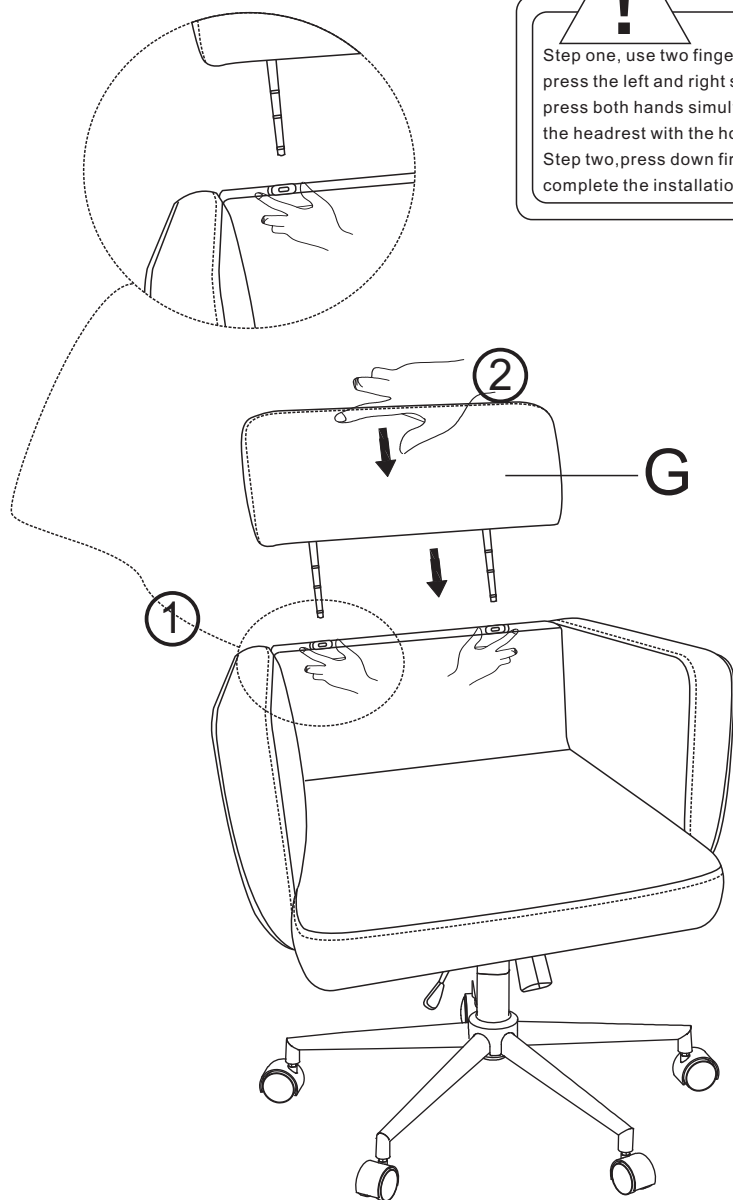
ASSEMBLY INSTRUCTIONS

STEP-6



ASSEMBLY INSTRUCTIONS

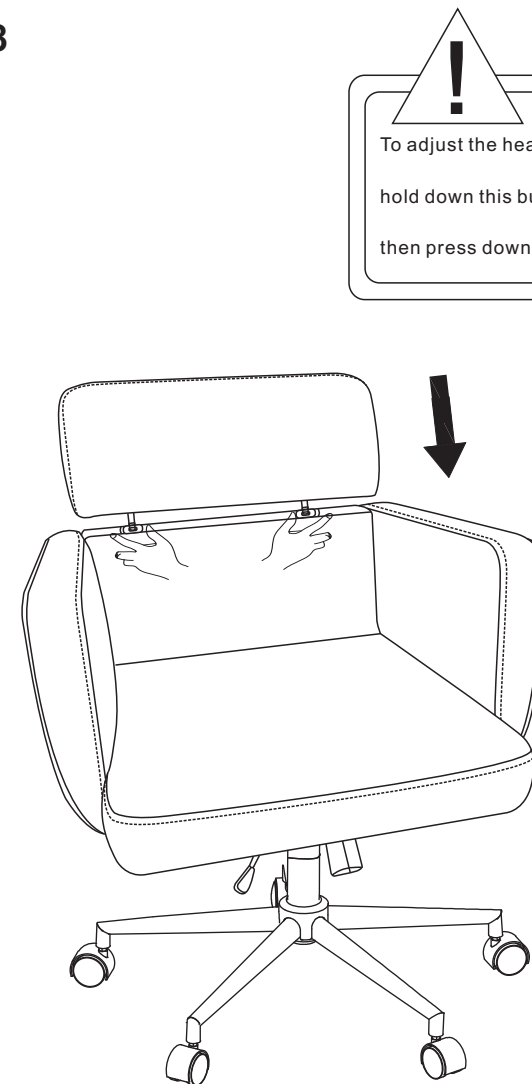
STEP 7



Step one, use two fingers to simultaneously press the left and right sides of the button, press both hands simultaneously, and then align the headrest with the hole and insert it
Step two, press down firmly on the headrest to complete the installation.

ASSEMBLY INSTRUCTIONS

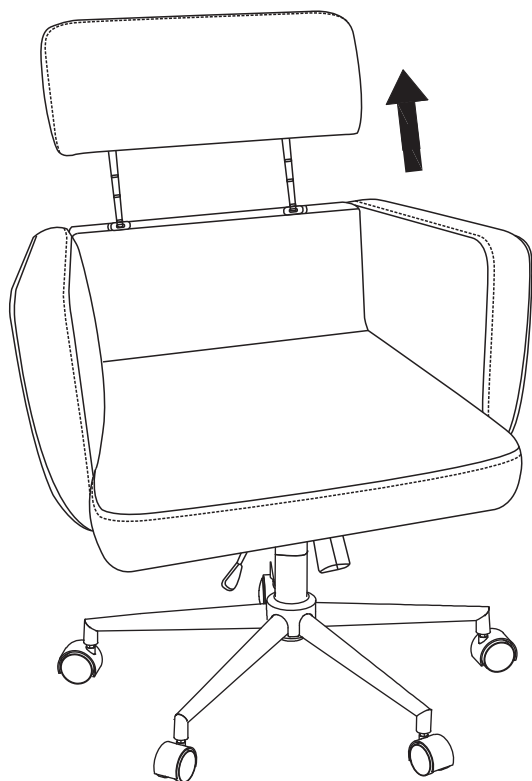
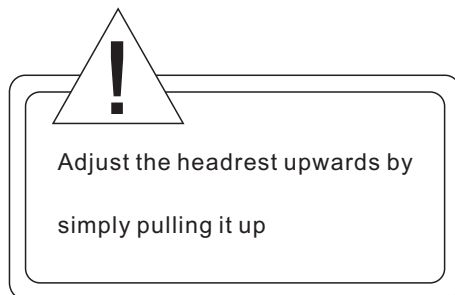
STEP 8



To adjust the headrest downwards, hold down this button with both hands and then press down on the headrest

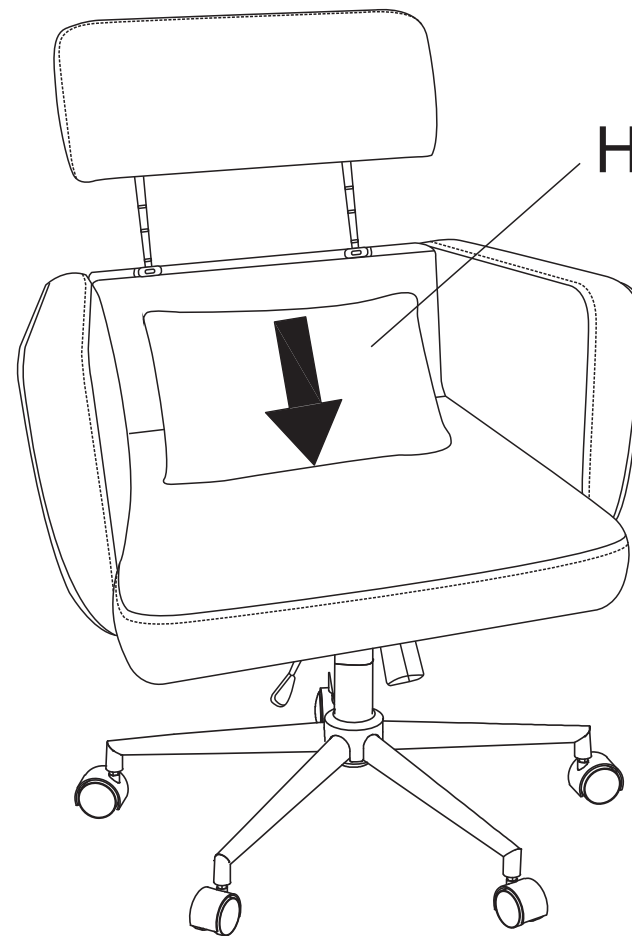
ASSEMBLY INSTRUCTIONS

STEP 9



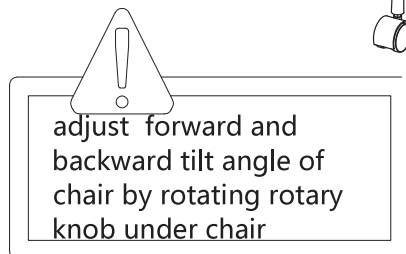
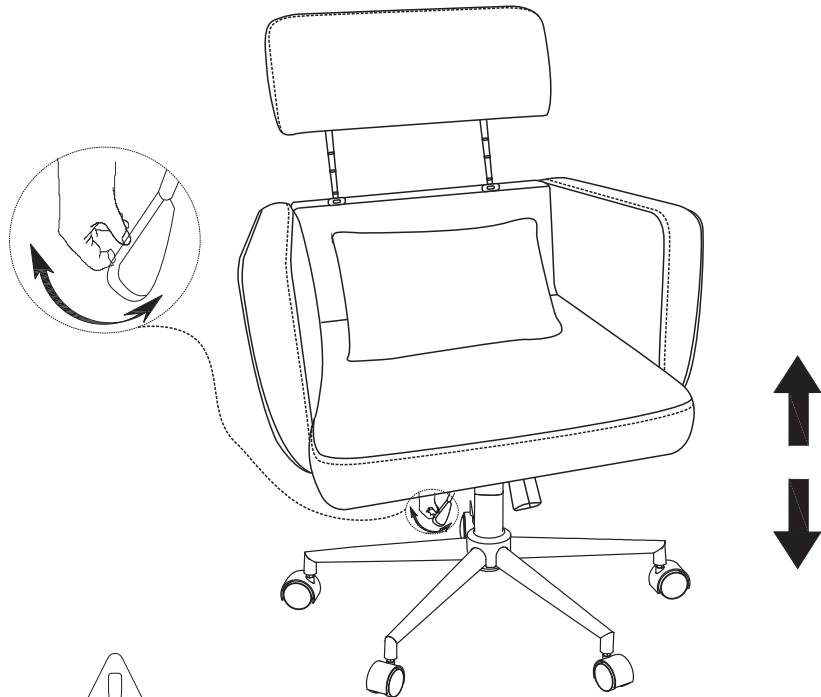
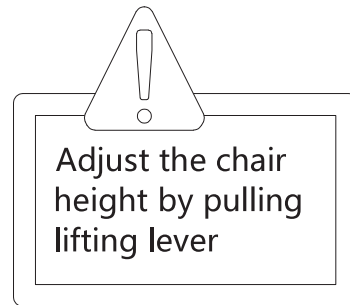
ASSEMBLY INSTRUCTIONS

STEP 10



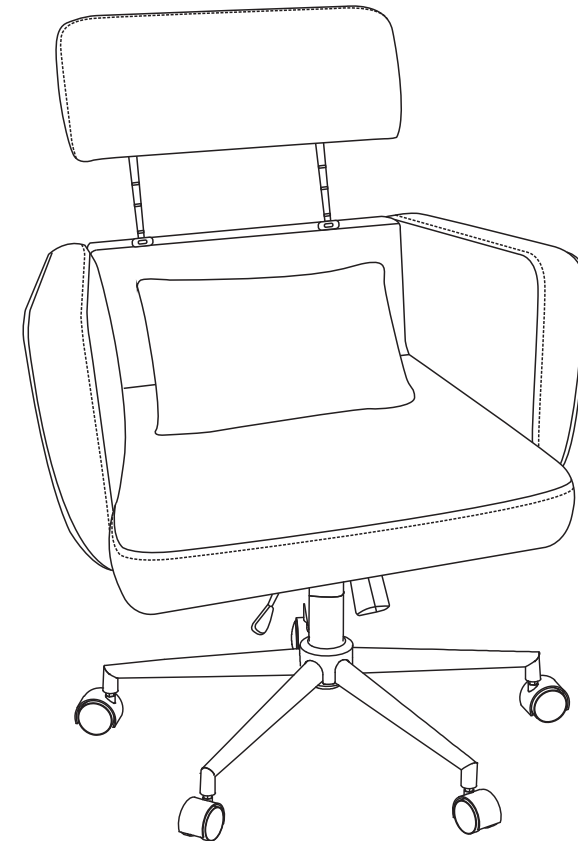
ASSEMBLY INSTRUCTIONS

STEP 11



ASSEMBLY INSTRUCTIONS

STEP-12



Assembly completed.