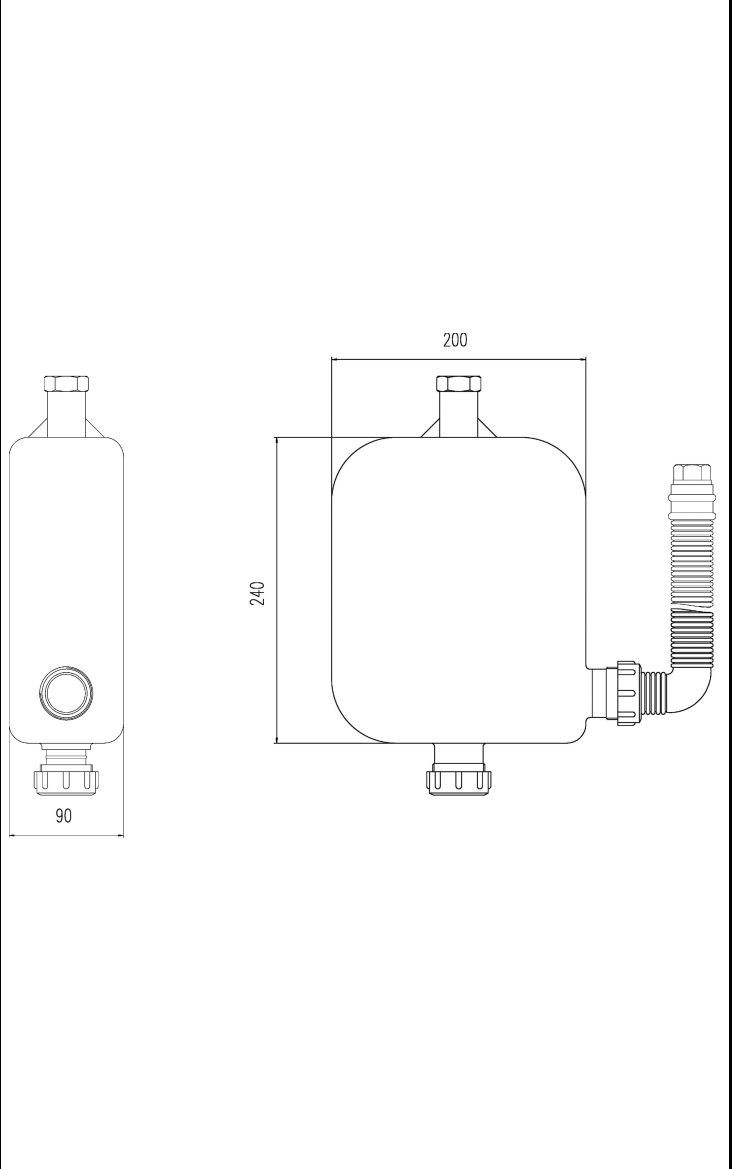


# CUSTOMER DATA SHEET - BRASSWARE

**DESCRIPTION:** 4 Tap Hole Hose Retainer



PRODUCT DIMENSIONS				
Height (mm)	Width (mm)	Depth (mm)	Length (mm)	Nett Wgt Kg
340	90	300		0.96

PACKAGING DIMENSIONS			
Height (mm)	Width (mm)	Depth (mm)	Gross Wgt Kg
150	250	330	0.96

PACKAGING DATA			
Box Colour	White Cardboard Box		
Box Qty	1	Label Colour	White Label
Label Size	100 x 50	Label Qty	2

OUTER BOX DIMENSIONS (If Applicable)				
Height (mm)	Width (mm)	Depth (mm)	Length (mm)	Gross Wgt Kg
		520		4

PRODUCT DETAILS			
Country of Origin	China		
Fitting Instruction	No		
Product Material	Brass		
Control Type	Not Applicable		
Waste Included	Waste Not Included		
WRAS Approval	No	Approval No.	N/A
Operating Pressure (bar)	0.5		
Valve/Cartridge Type	Not Applicable		

Colour/Finish	Chrome		
Mount Type	Deck		
Waste Type	Not Applicable		
Flow Rates (L/min)	0.1	N/A	0.5
Pipe Size	15 mm (1/2" Bsp)		
Pipe Centres	N/A		