

Certified to comply with ANSI A112.18.1

MONTERREY™

SPREAD LAVATORY FAUCETS

Thank you for selecting American-Standard... the benchmark of fine quality for over 100 years.

To ensure that your installation proceeds smoothly—please read these instructions carefully before you begin.

60186 REV.1.8 (3/16)

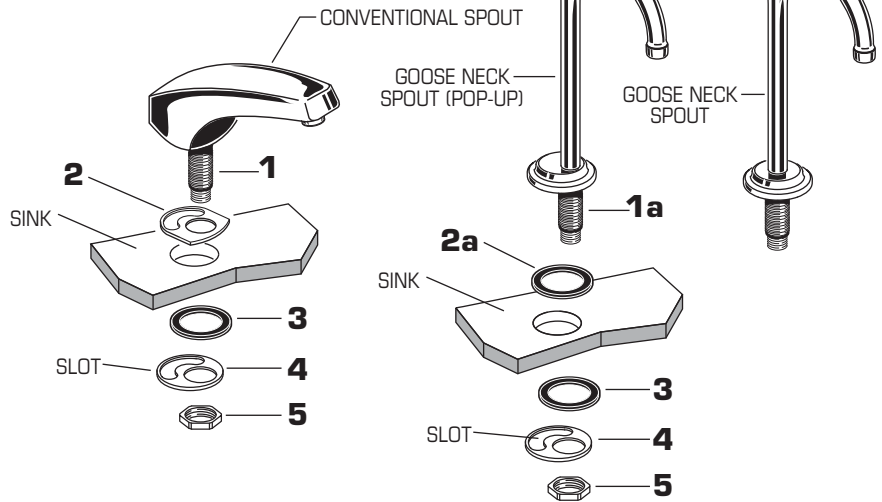
1

CAUTION

Turn off water at main supply.

CONVENTIONAL OR GN SPOUT ASSEMBLY

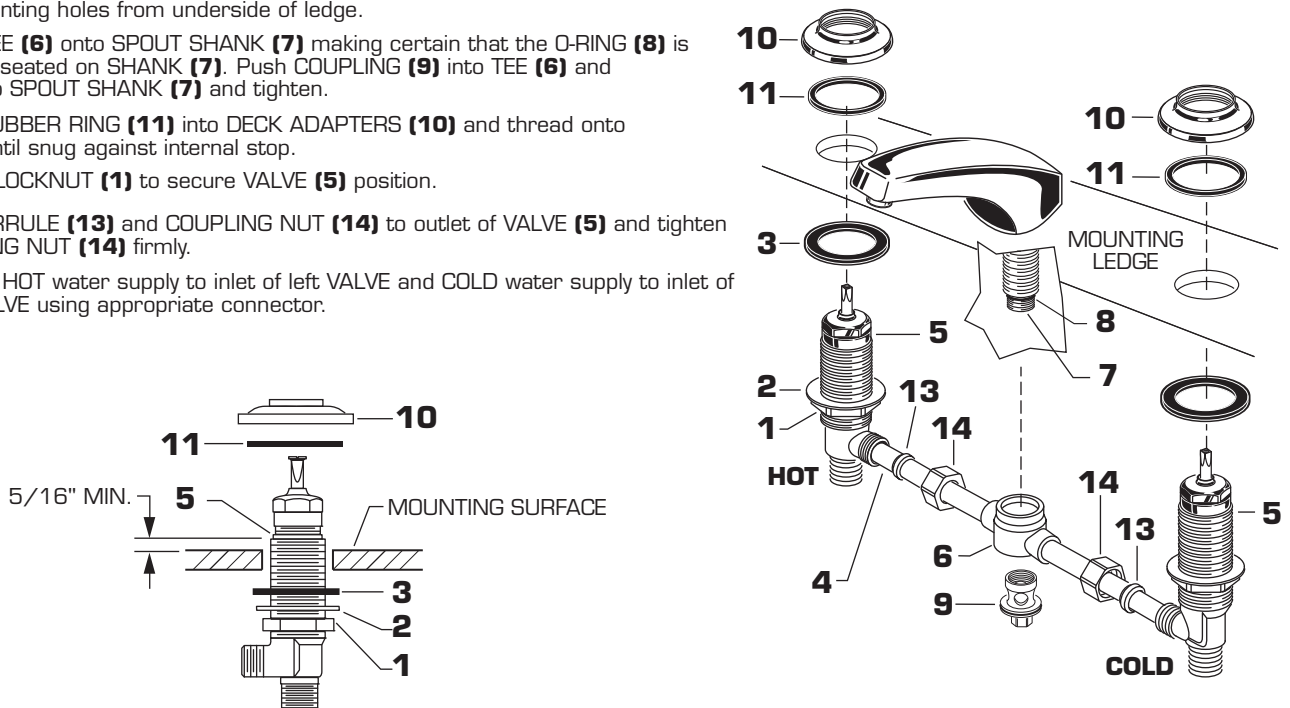
- Insert SPOUT SHANK (1, 1a) through center hole of SINK, making sure RUBBER GASKET (2, 2a) is properly positioned.
- Assemble RUBBER WASHER (3), RETAINER (4) and LOCKNUT (5) onto threads of SPOUT SHANK (1, 1a) from underside of SINK.
- Align SPOUT and tighten LOCKNUT (5). Be sure slot in BRASS WASHER (4) is positioned to the rear as shown.



2

VALVE ASSEMBLY WITH RIGID VALVE CONNECTIONS

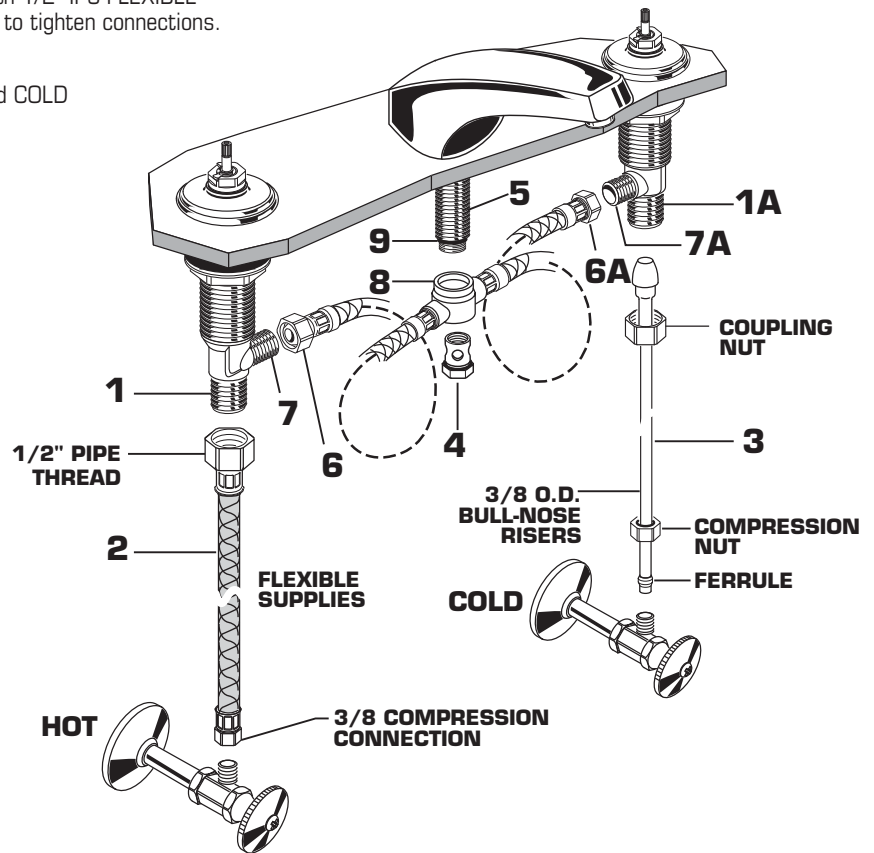
- Install LOCKNUTS (1), BRASS WASHERS (2) and RUBBER WASHERS (3) onto valve shanks.
- Push TUBING (4) ends into VALVE (5) side outlets. Insert VALVES (5) into mounting holes from underside of ledge.
- Press TEE (6) onto SPOUT SHANK (7) making certain that the O-RING (8) is properly seated on SHANK (7). Push COUPLING (9) into TEE (6) and attach to SPOUT SHANK (7) and tighten.
- Place RUBBER RING (11) into DECK ADAPTERS (10) and thread onto valves until snug against internal stop.
- Tighten LOCKNUT (1) to secure VALVE (5) position.
- Slide FERRULE (13) and COUPLING NUT (14) to outlet of VALVE (5) and tighten COUPLING NUT (14) firmly.
- Connect HOT water supply to inlet of left VALVE and COLD water supply to inlet of right VALVE using appropriate connector.



2a

VALVE ASSEMBLY WITH FLEXIBLE HOSE VALVE CONNECTIONS

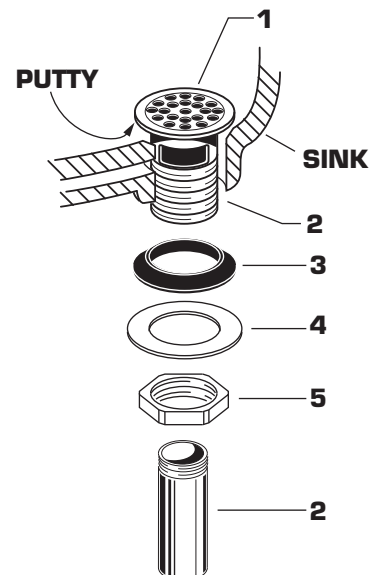
- Press TEE (8) onto SPOUT SHANK (5) making certain that the O-RING (9) is properly seated on SPOUT SHANK (5). Push COUPLING (4) into TEE (8) and attach to SPOUT SHANK (5) and tighten.
- Thread HOSE CONNECTOR (6, 6A) to VALVE CONNECTIONS (7, 7A).
- Connect water supply to VALVE BODIES (1, 1A) with 1/2" IPS FLEXIBLE SUPPLIES (2) (not included. Use adjustable wrench to tighten connections. Do not over tighten.
- Connect HOT water supply to inlet of left SHANK and COLD water supply to right SHANK.



3

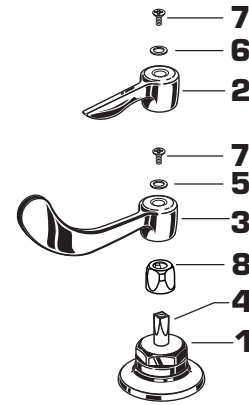
DRAIN ASSEMBLY (6542.140/.170)

- Apply a bead of PUTTY around underside of DRAIN FLANGE (1) flange. Insert DRAIN PLUG (2) into SINK drain hole.
- Hold DRAIN PLUG (2) to prevent turning and assemble GASKET (3), WASHER (4), and LOCKNUT (5) from underneath sink.
- Apply sealant to threaded end of TAILPIECE and thread into lower end of DRAIN PLUG. Connect other end to trap.



4 INSTALL HANDLES

- Turn VALVES (1) to off position.
- Insert ADAPTOR (8) with larger diameter over the VALVE STEM (4).
- Align LEVER (2) or WRIST BLADE HANDLE (3) and install onto VALVE STEM (4).
- Insert BLUE INDEX (5) into cold valve (right side) and red INDEX (6) into hot valve (left side).
- Insert HANDLE SCREW (7) into HANDLES and tighten with screwdriver.



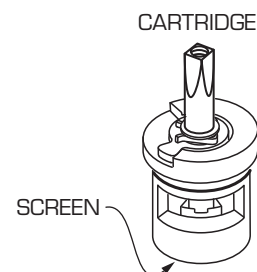
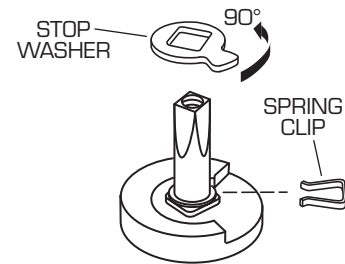
5 TEST INSTALLED FAUCET

- Remove AERATOR.
- With handle in OFF position, turn on water supplies and check all connections for leaks.
- Operate both handles to flush water lines thoroughly. Check spout mounting and TEE connections for leaks.
- Turn handles into OFF position and replace AERATOR.



6 SERVICE

- To change direction of handle rotation, proceed as follows:
 - Turn valve to OFF position.
 - Remove HANDLE and BONNET NUT.
 - Remove SPRING CLIP.
 - Lift STOP WASHER, turn 90° and replace.
 - Replace SPRING CLIP.
 - Replace BONNET NUT, HANDLE, SCREW, and INDEX.
- AERATOR may accumulate dirt causing distorted and reduced water flow. Remove AERATOR and rinse clean.
- If spout drips, operate handles several times from OFF to ON position. Do not force - handles turn only 90°.
- Plastic SCREEN in CARTRIDGE may accumulate dirt causing reduced water flow. To clean, first turn off hot and cold water supplies, then:
 - Remove HANDLE and BONNET NUT.
 - Remove CARTRIDGE by pulling up.
 - Thoroughly rinse plastic SCREEN at base of CARTRIDGE.
 - Replace CARTRIDGE until flange is tight against valve body.
 - Turn valves OFF.
 - Replace BONNET NUT, HANDLE, SCREW and INDEX.



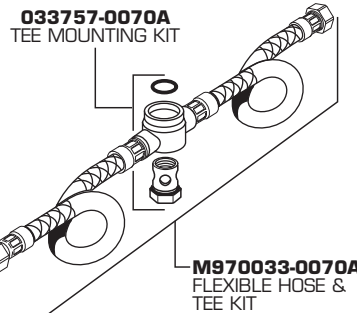
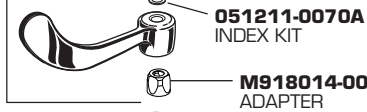
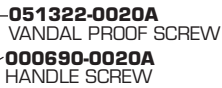
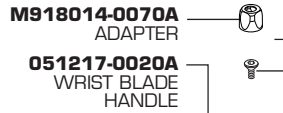
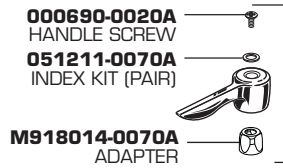
CARE INSTRUCTIONS:

DO: SIMPLY RINSE THE PRODUCT CLEAN WITH CLEAR WATER. DRY WITH A SOFT COTTON FLANNEL CLOTH.

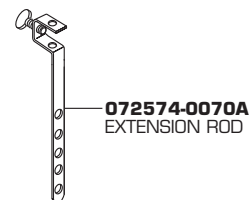
DO NOT: DO NOT CLEAN THE PRODUCT WITH SOAPS, ACID, POLISH, ABRASIVES, HARSH CLEANERS, OR A CLOTH WITH A COARSE SURFACE.

MODEL NUMBERS
6500 6530
6502 6532

Appropriate finish code
CHROME 002



FOR PRODUCTS SOLD BEFORE 1/1/16



HOT LINE FOR HELP

For toll-free information and answers to your questions, call:
1 (800) 442-1902
Mon. - Fri. 8:00 a.m. to 8:00 p.m. EST
Saturday 10:00 a.m. to 4:00 p.m. EST
IN CANADA 1-800-387-0369
(TORONTO 1-905-306-1093)
Weekdays 8:00 a.m. to 7:00 p.m. EST
IN MEXICO 01-800-839-1200



Product names listed herein are trademarks of AS America, Inc.
© AS America, Inc. 2016