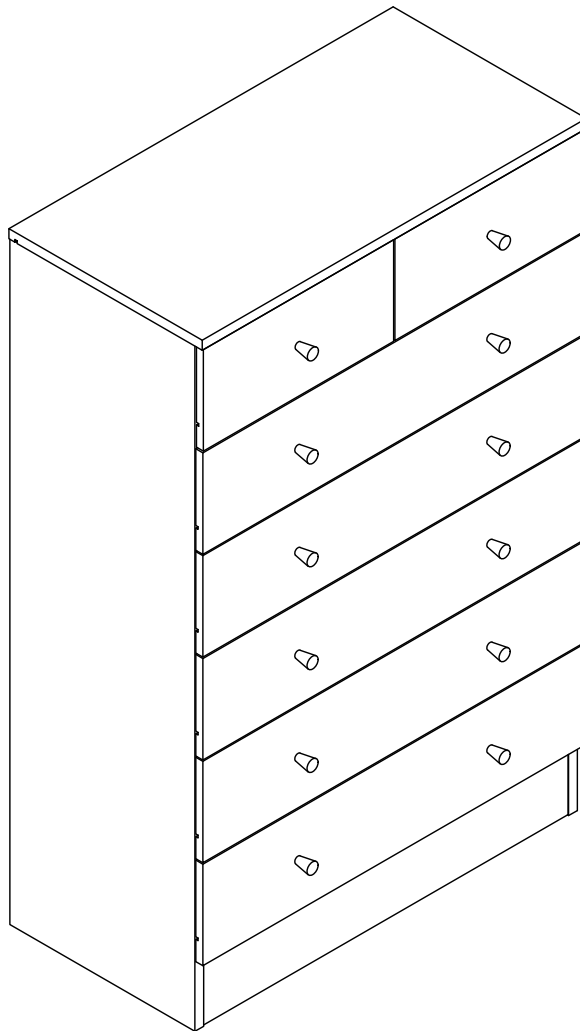
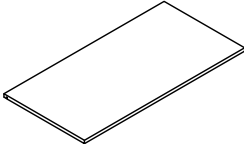
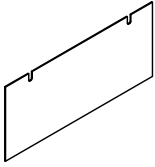
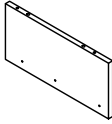
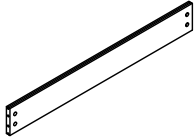
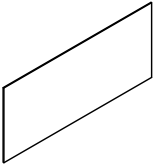
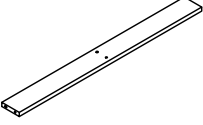

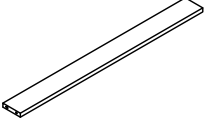
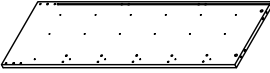
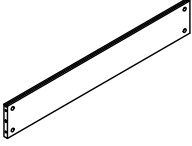
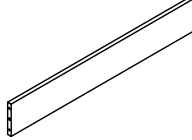
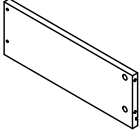
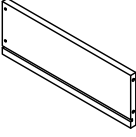
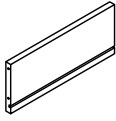
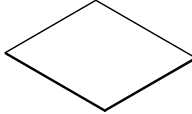
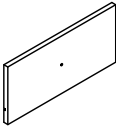
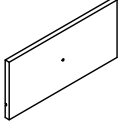
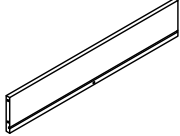
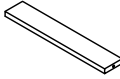
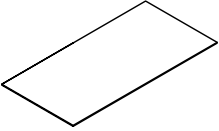
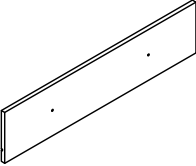
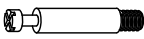

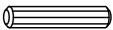











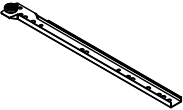
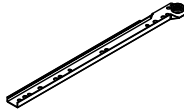
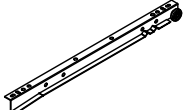
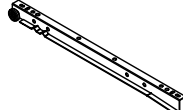



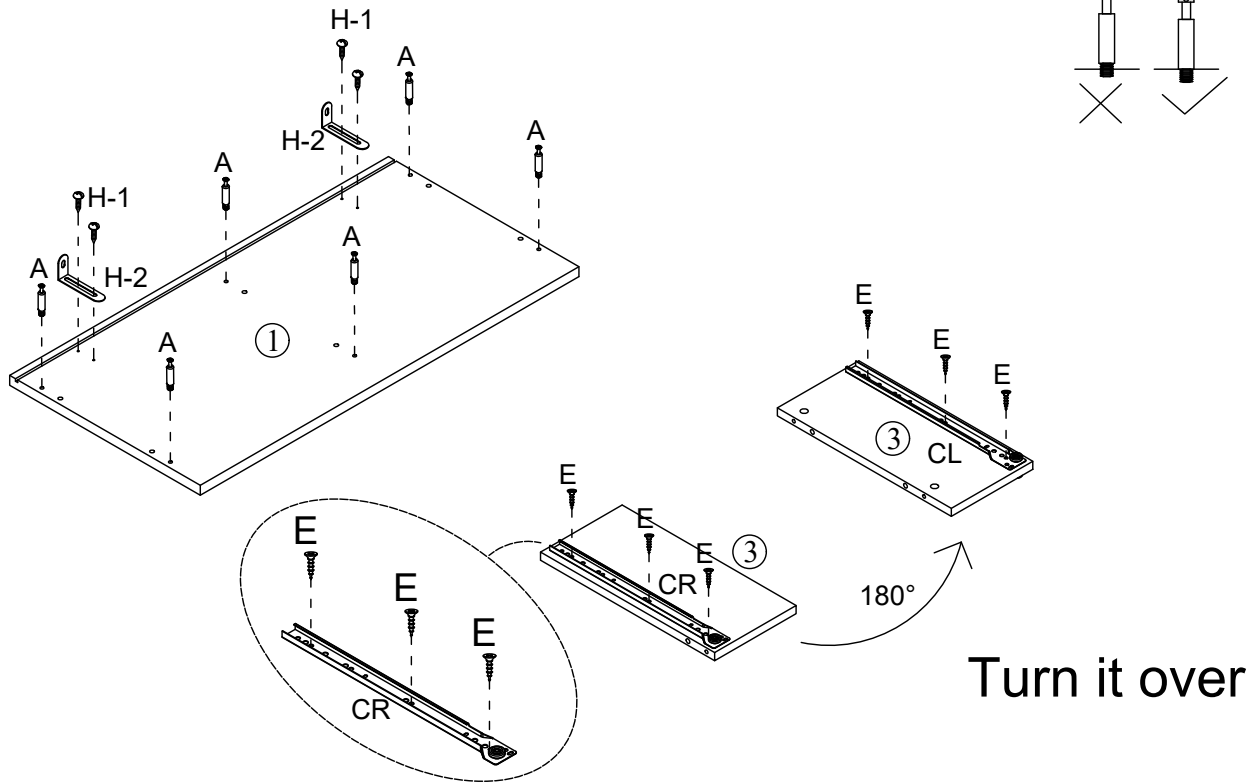
Assembly Instruction

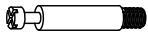
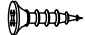
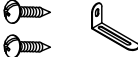




1  660x400x12 x1	2  642x355mm x1	3  370x185x12 x1	4  633x80x12 x2
5  642x355mm x2	6  633x60x12 x1	7  1300x387x12 x1	8  633x60x12 x4
9  1300x387x12 x1	10  633x100x12 x1	11  633x100x12 x1	12  350x150x12 x7
13  350x150x12 x7	14  260x150x12 x2	15  347x270mm x2	16  328x197x12 x1
17  328x197x12 x1	18  583x150x12 x5	19  338x50x12 x5	20  592x347mm x5
21  658x197x12 x5			

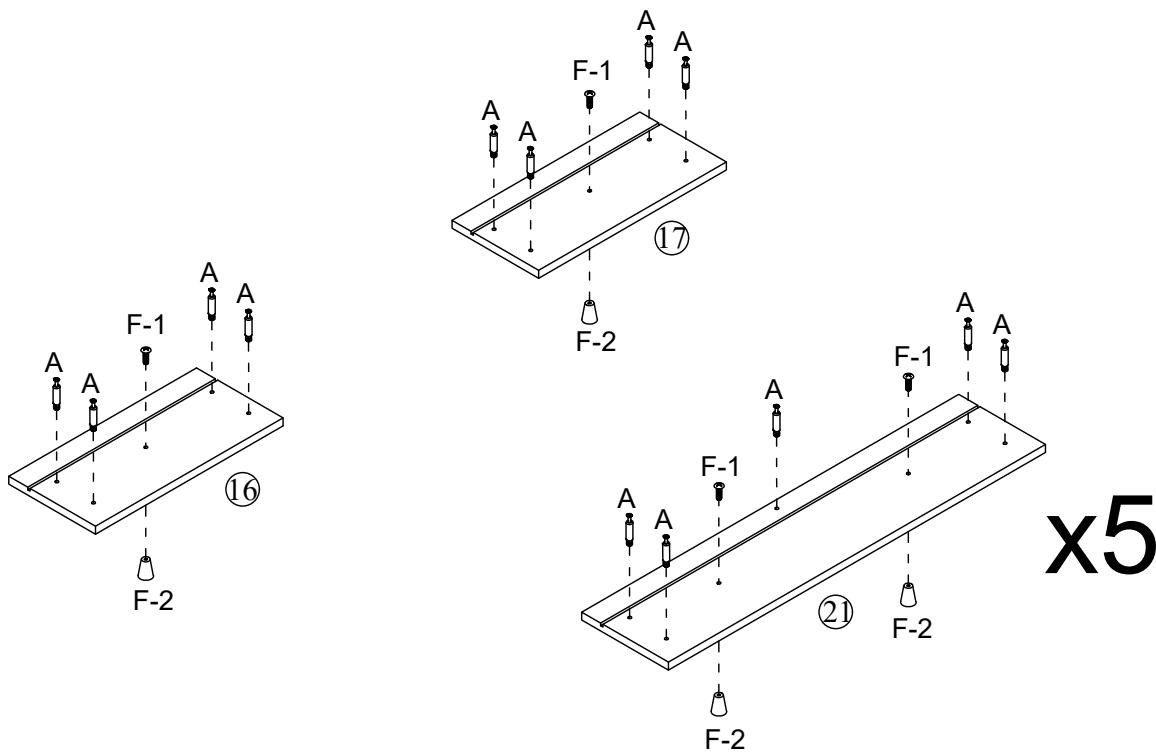
A	x 65+6	B	x 65+5	C	x 19+2	D	x 34+3	E	x 84+8
									
Φ6X35mm		Φ15X10mm		Φ6X30mm		Φ4X35mm		Φ3X12mm	
F	x 12	G	x 12	H	x 2	I	x 2	J	x 4
F-1  F-2 		G-1  G-2 		H-1  H-2 		I-1  I-2 			
Φ4X18mm		Φ3X16mm		Φ4X12mm		Φ4X45mm		25X12mm	
CL	x 7	CR	x 7	DL	x 7	DR	x 7	x 6	
									
L350		L350		L350		L350		Spare	

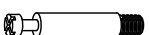

1



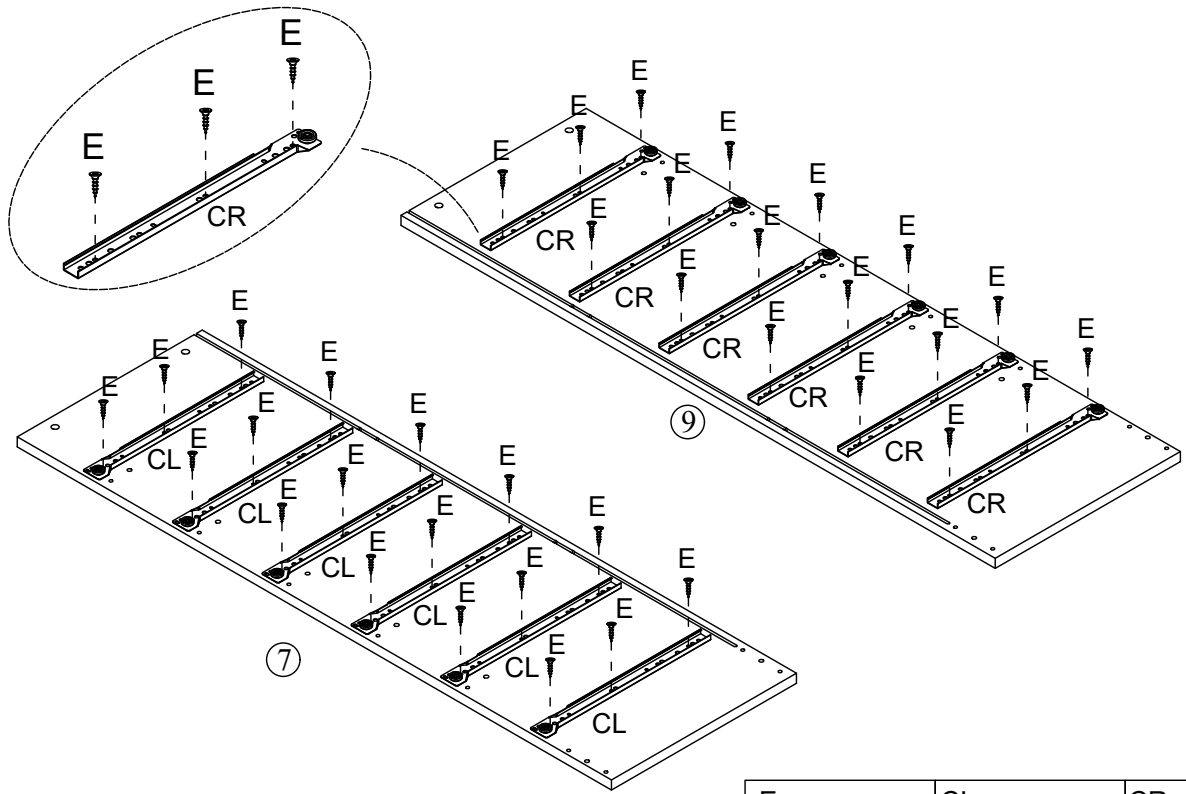
<p>A</p>  <p>x 6</p>	<p>E</p>  <p>x 6</p>	<p>H</p> <p>H-1 H-2</p>  <p>x 2</p>	<p>CL</p>  <p>x 1</p>	<p>CR</p>  <p>x 1</p>
---	---	--	---	---

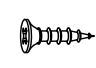
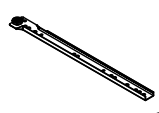
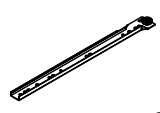
2



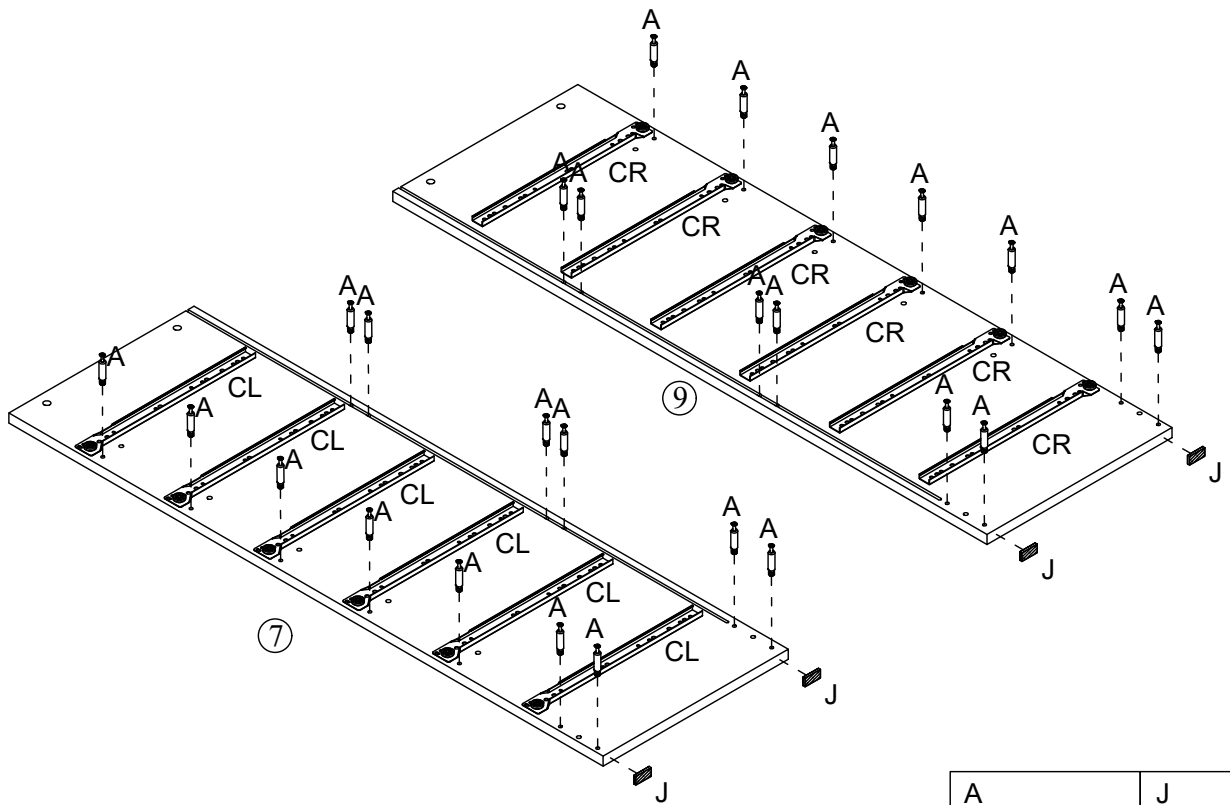
<p>A</p>  <p>x 33</p>	<p>F</p> <p>F-1 F-2</p>  <p>x 12</p>
--	---

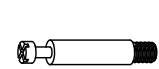
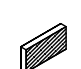
3



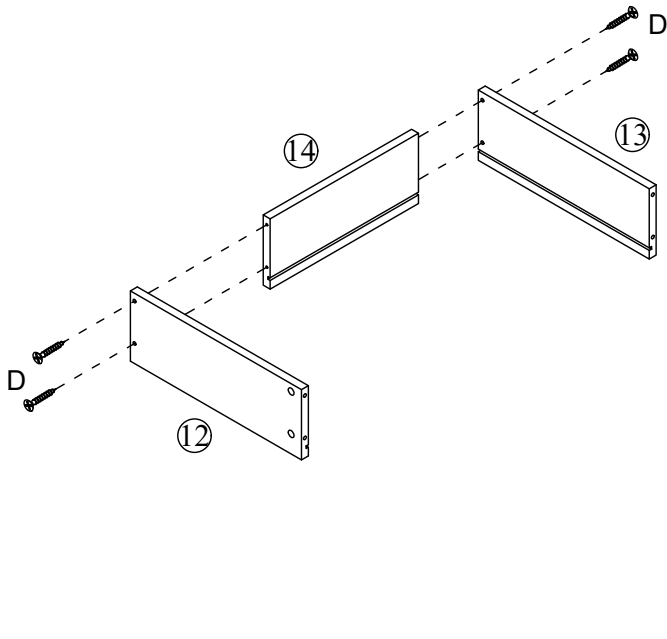
<p>E</p>  <p>x 36</p>	<p>CL</p>  <p>x 6</p>	<p>CR</p>  <p>x 6</p>
---	---	---

4

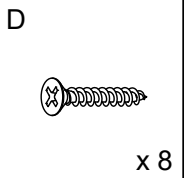


<p>A</p>  <p>x 26</p>	<p>J</p>  <p>x 4</p>
--	---

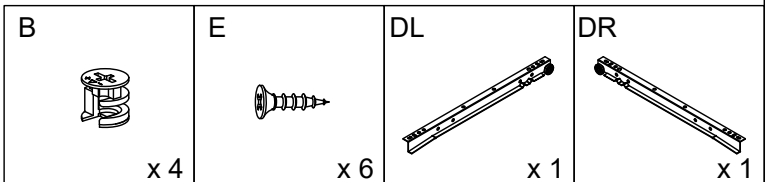
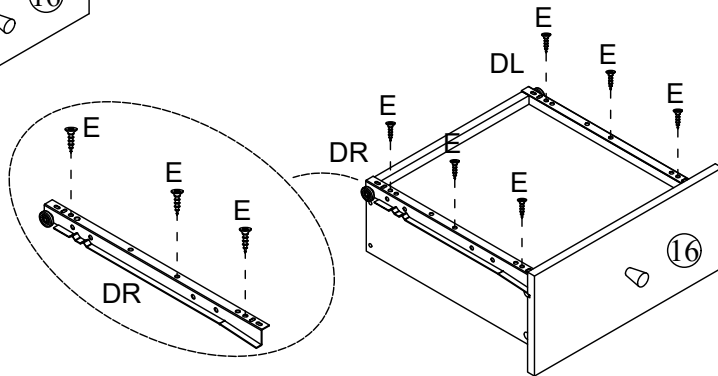
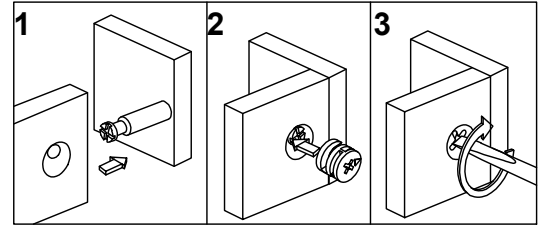
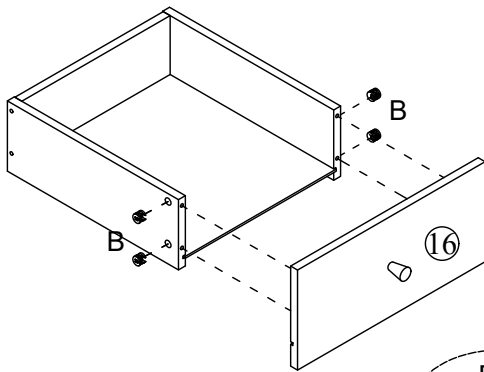
5



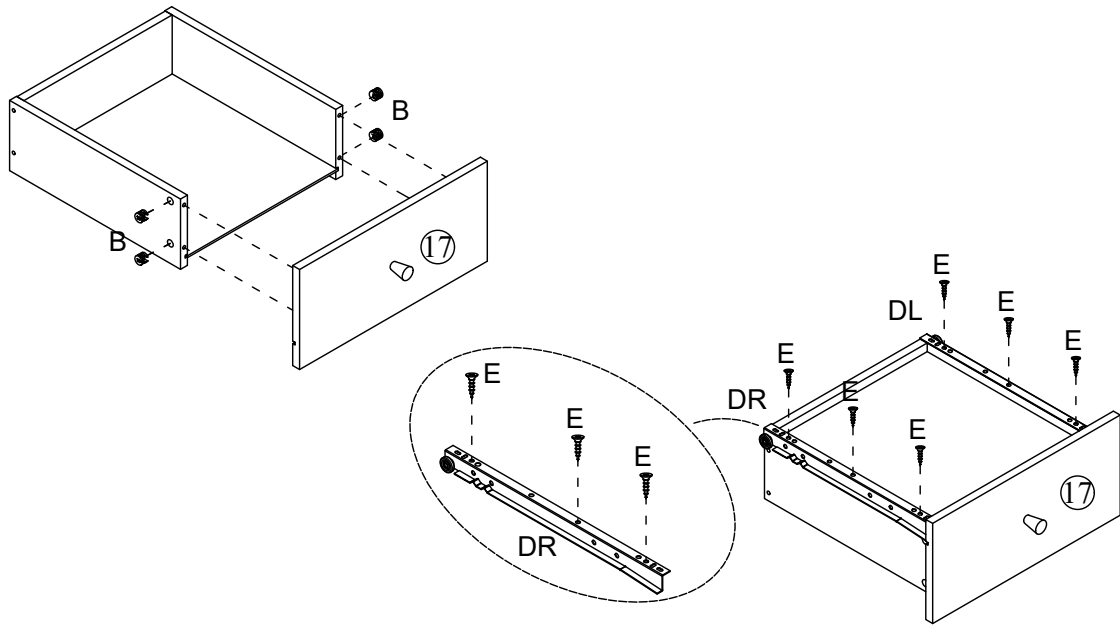
x2



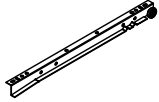
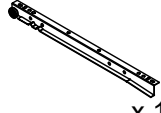


6

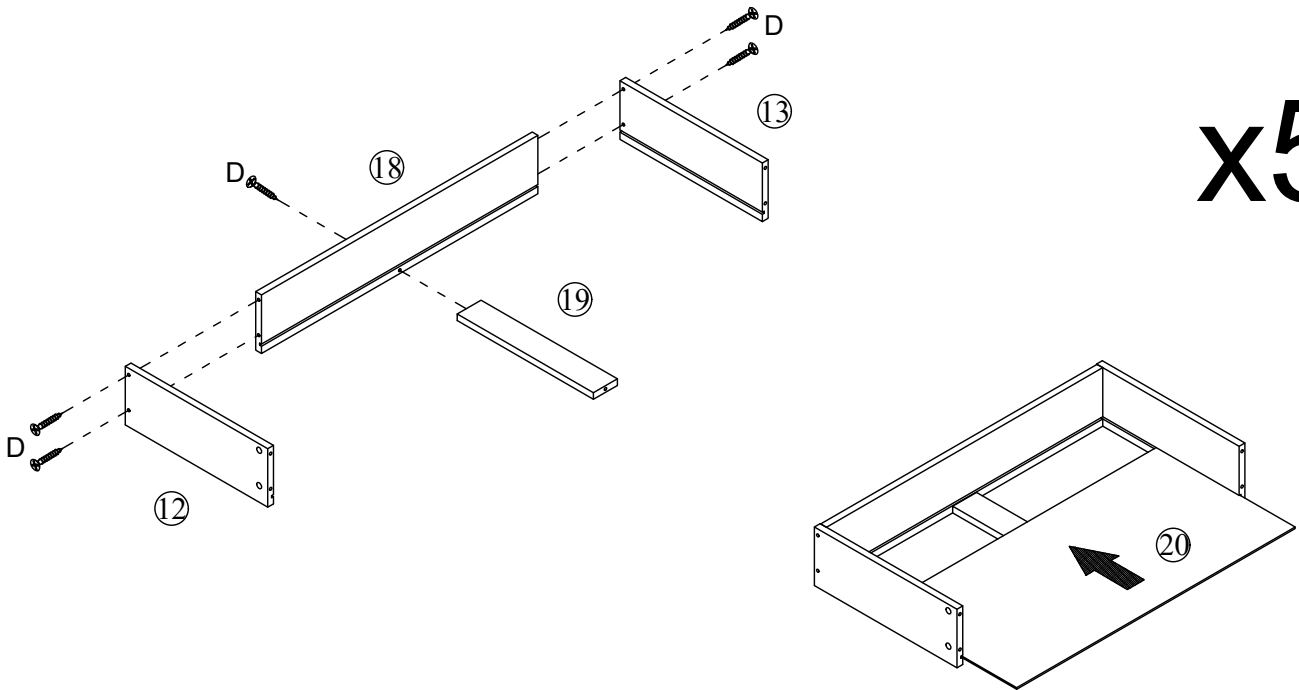


7




<p>B</p>  <p>x 4</p>	<p>E</p>  <p>x 6</p>	<p>DL</p>  <p>x 1</p>	<p>DR</p>  <p>x 1</p>
--	--	---	---

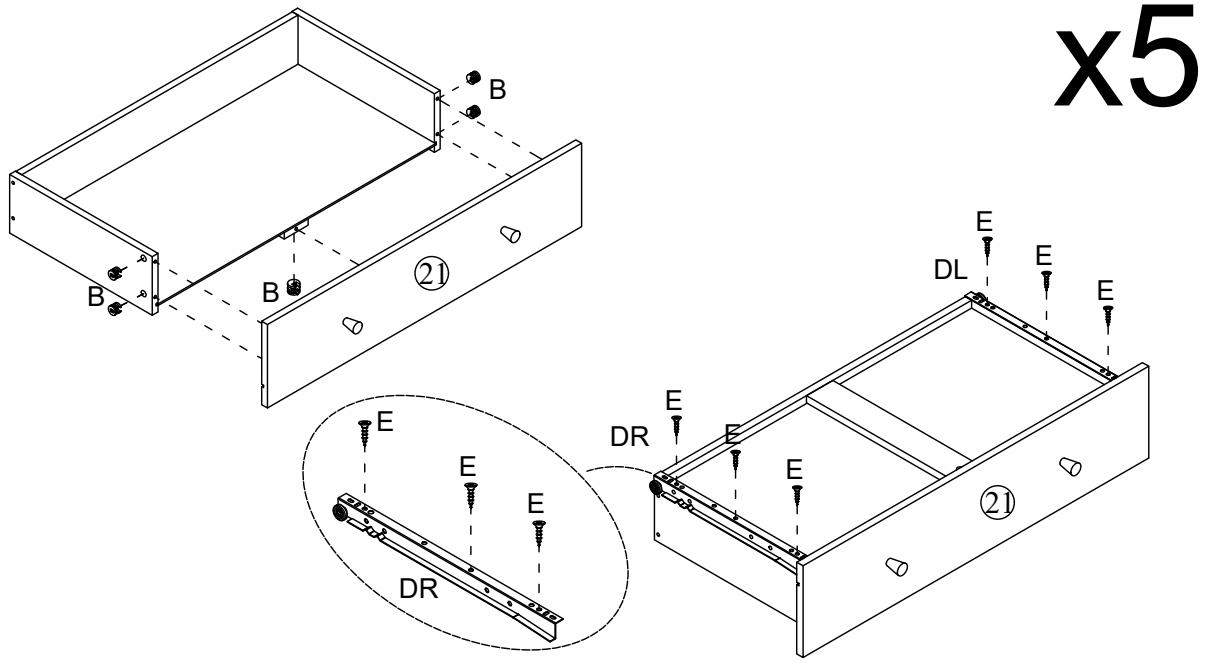
8


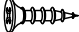
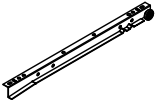
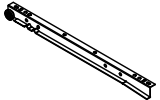


x5

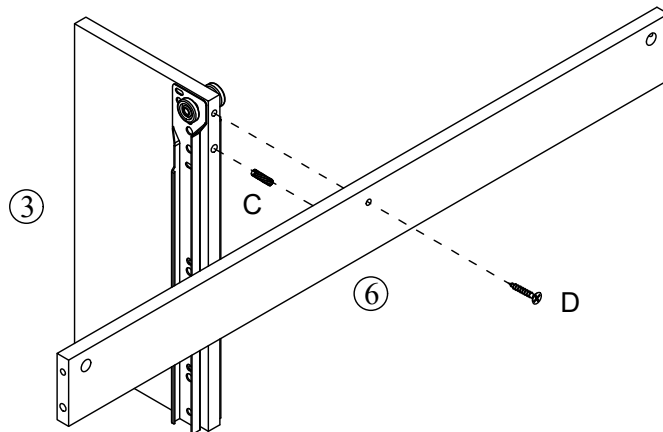
<p>D</p>  <p>x 25</p>
--

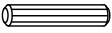
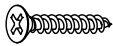
9



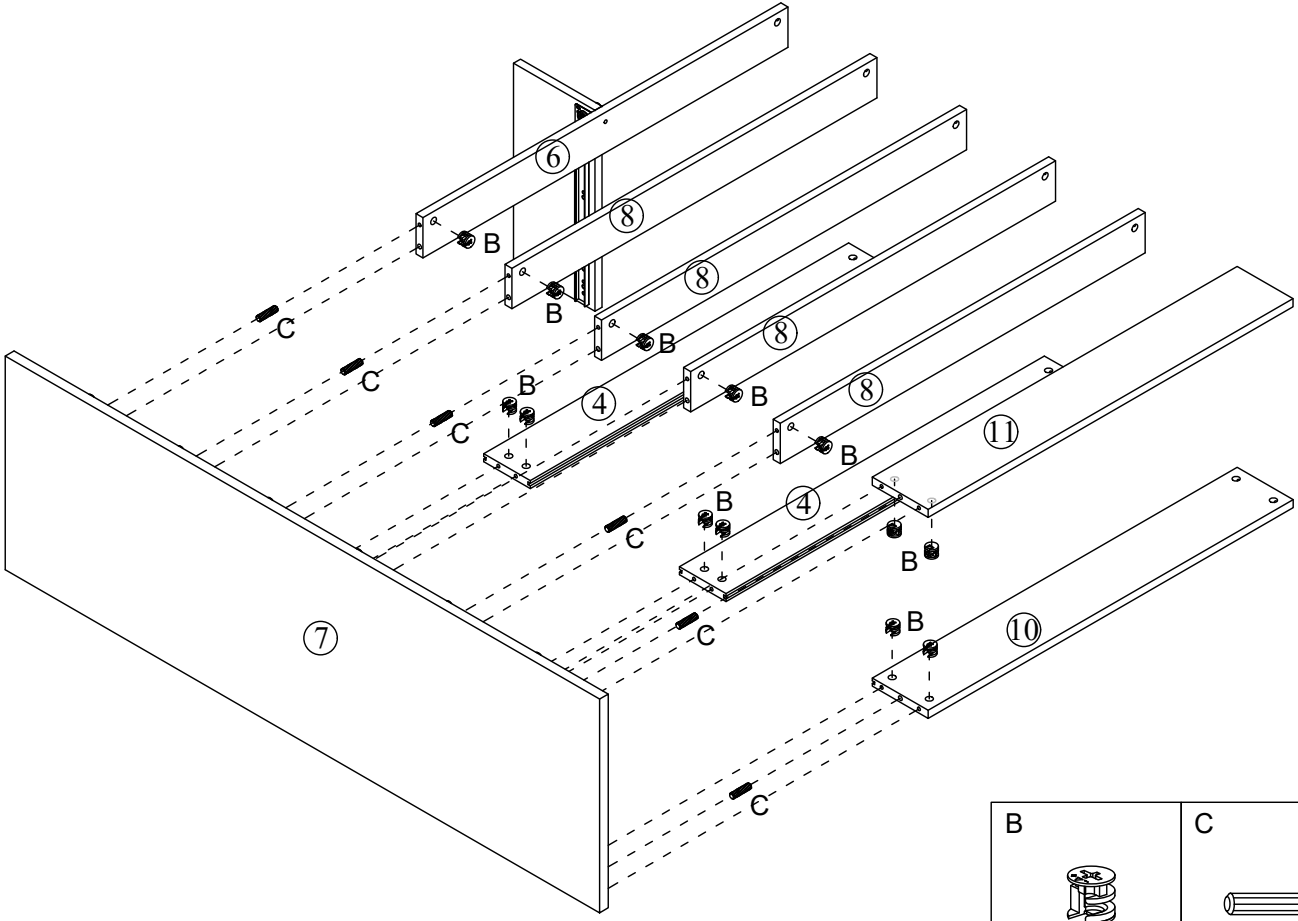
<p>B</p>  <p>x 25</p>	<p>E</p>  <p>x 30</p>	<p>DL</p>  <p>x 5</p>	<p>DR</p>  <p>x 5</p>
---	--	---	---



10



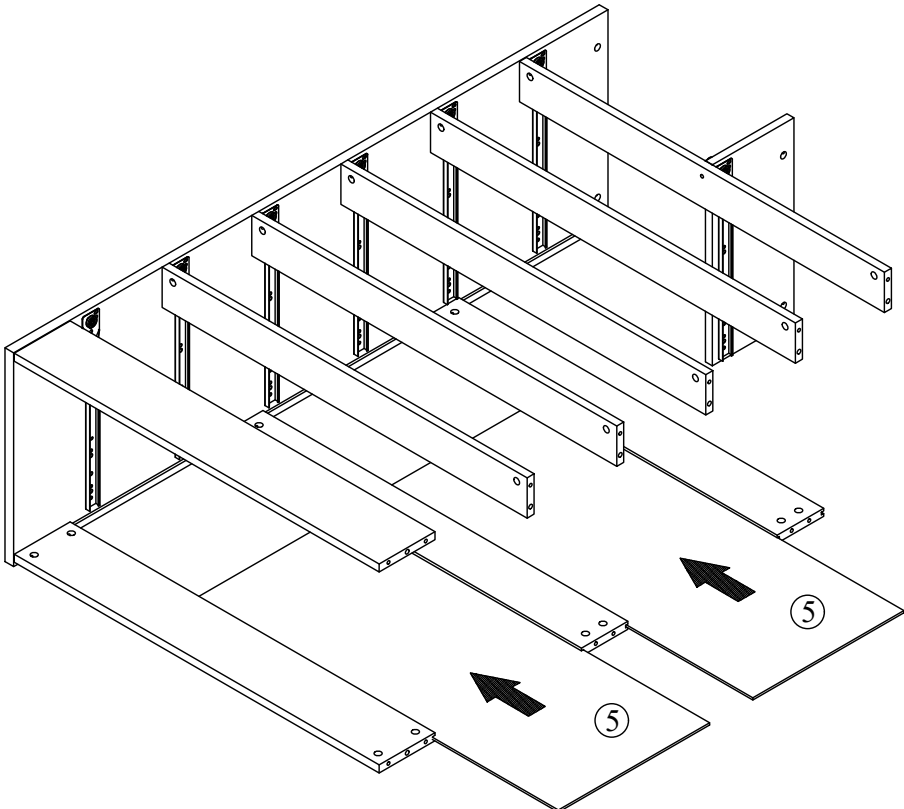
<p>C</p>  <p>x 1</p>	<p>D</p>  <p>x 1</p>
---	---

11

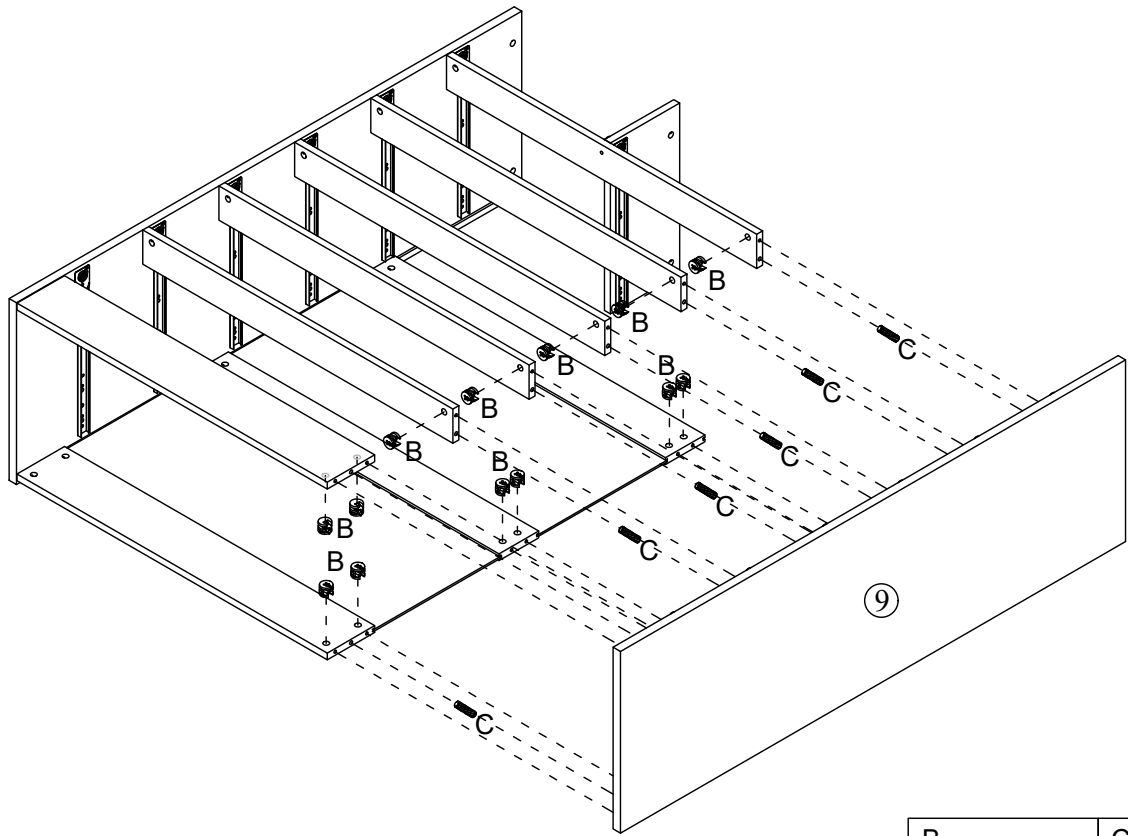




B  x 13	C  x 6
--	---

12

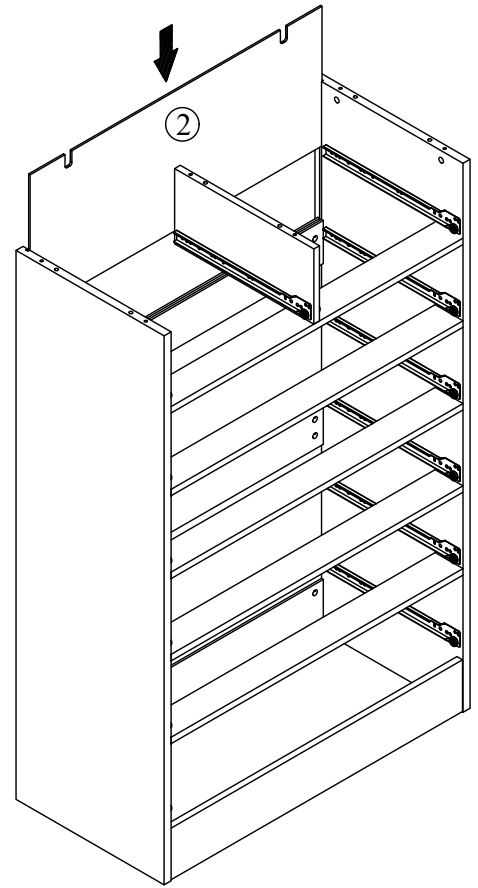


13

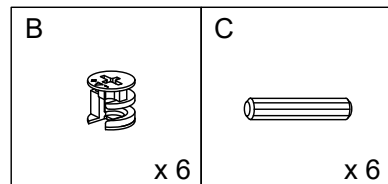
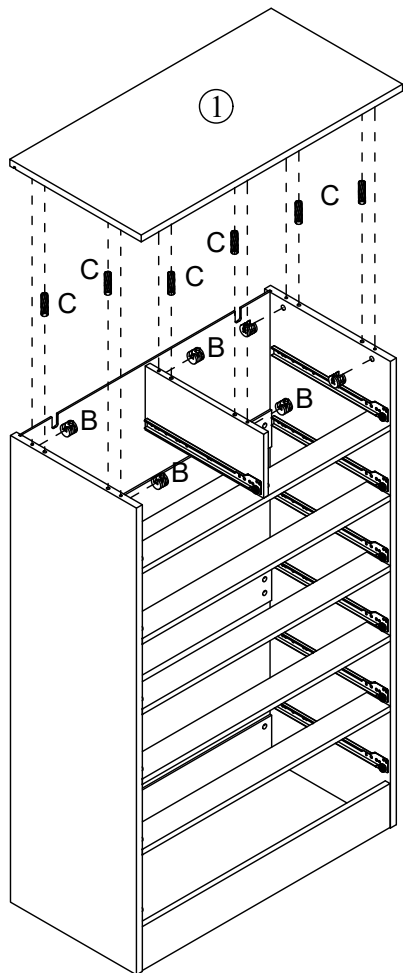


B  x 13	C  x 6
---	--

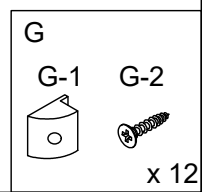
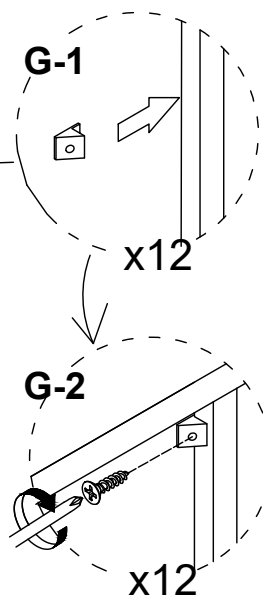
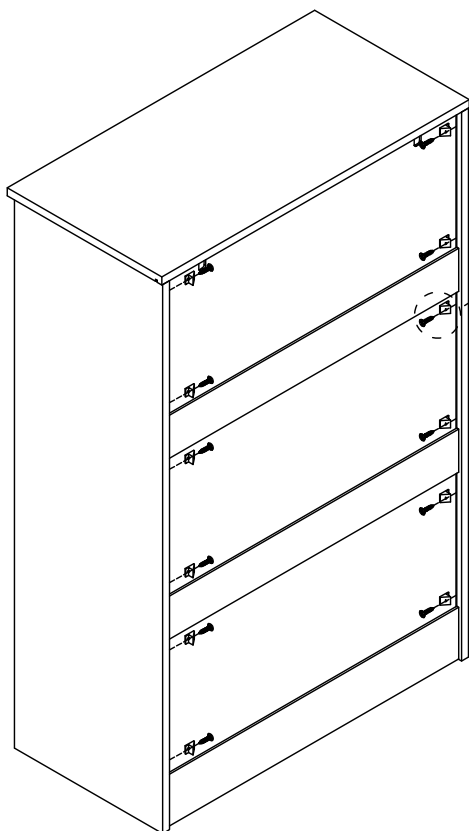
14



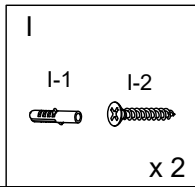
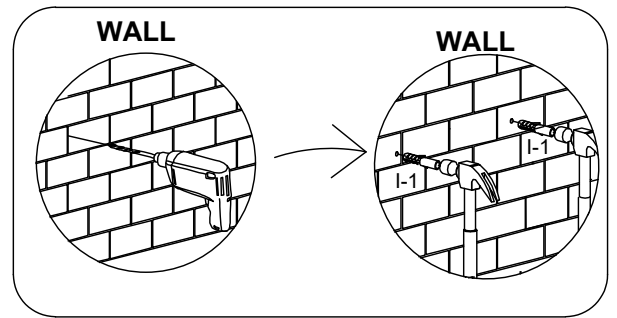
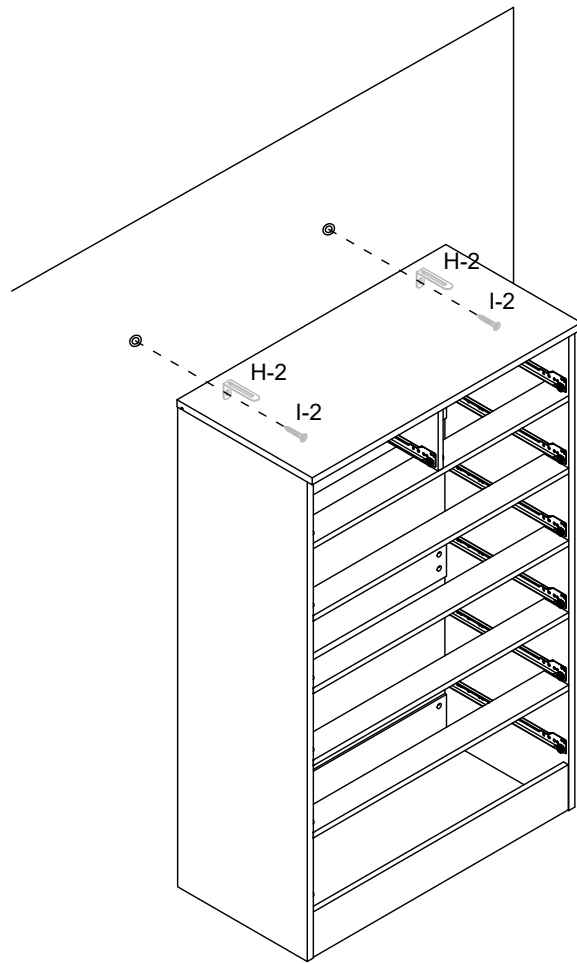
15



16



17



18

