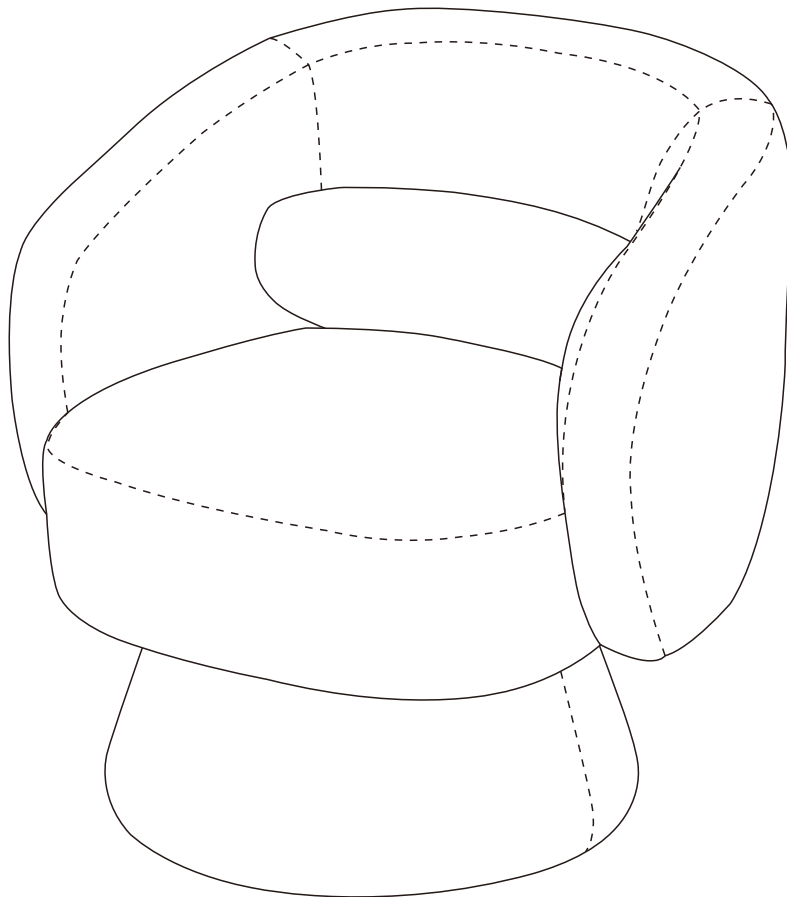


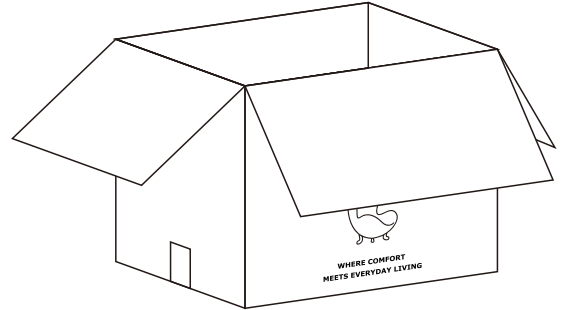
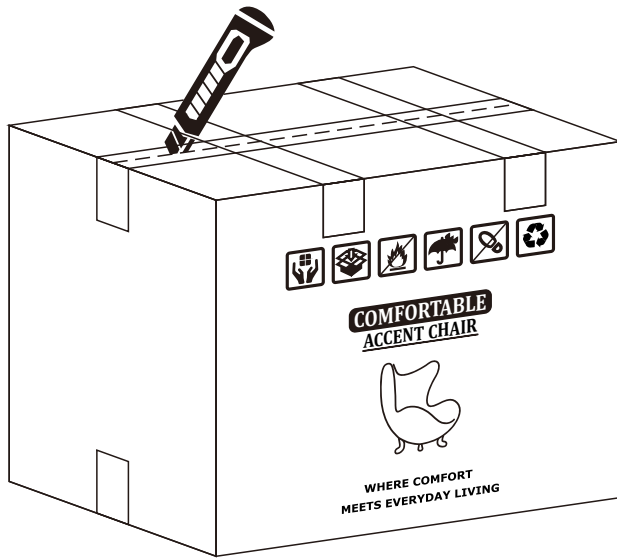
ACCENT CHAIR ASSEMBLY INSTRUCTIONS

• Product appearance •

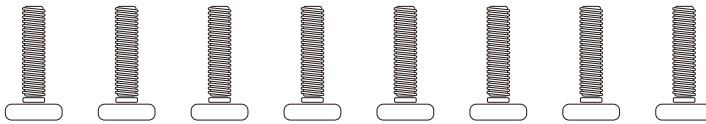


Let the chair be your quiet time

Material list

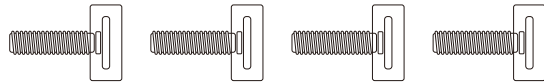


A



SCREW
(8PCS)

B

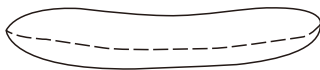


LEVELING FEET
(4PCS)

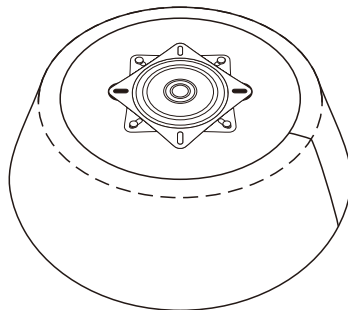
C



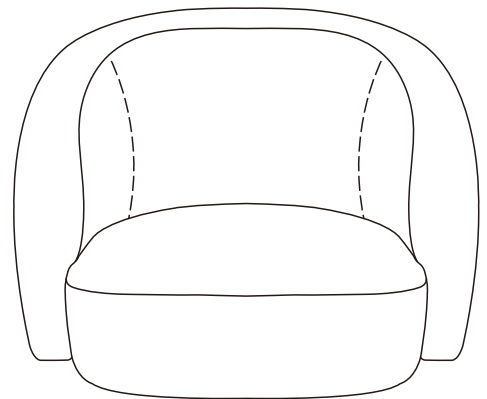
ALLEN WRENCH
(1PCS)



1



2

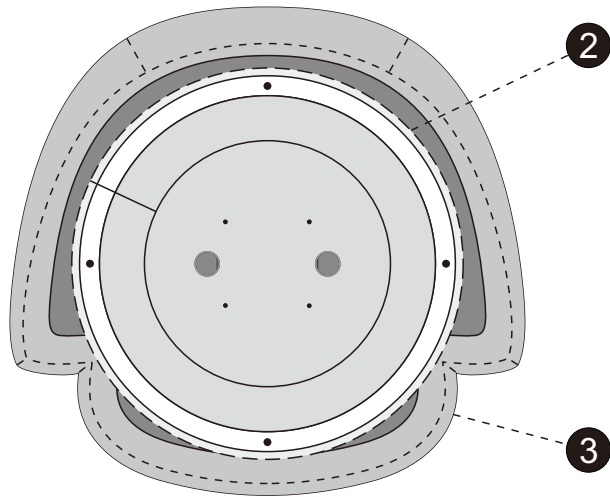
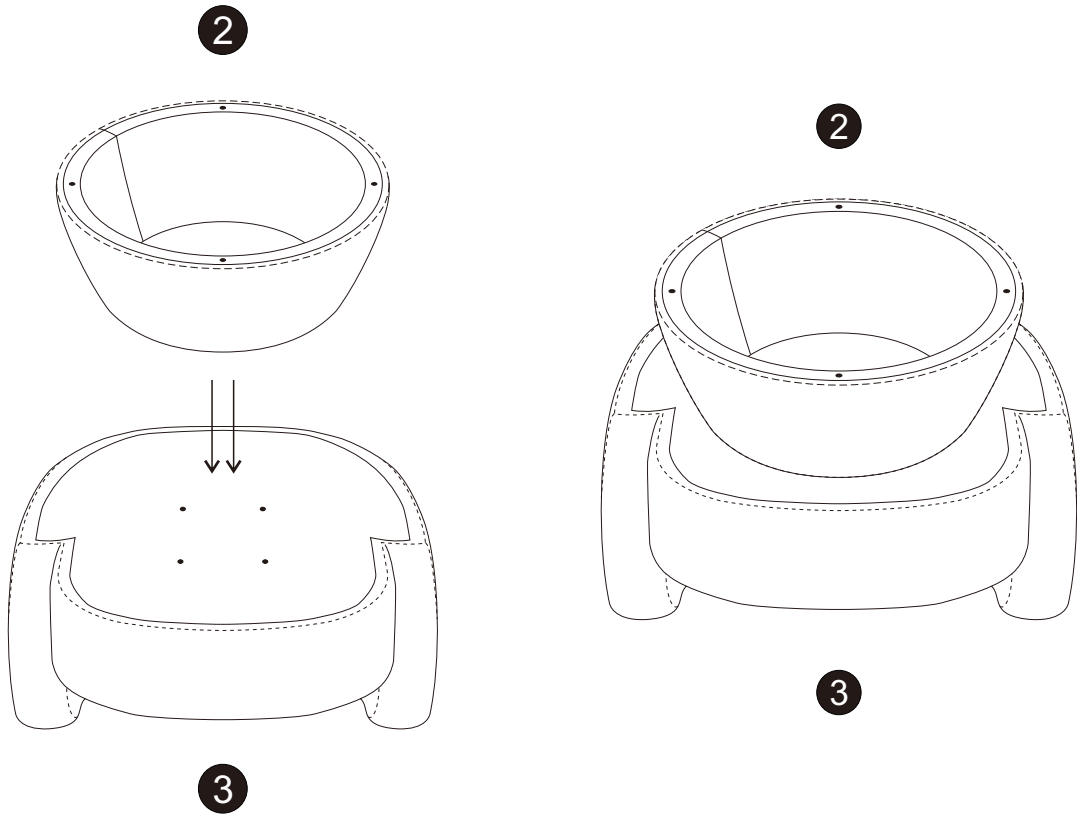


3



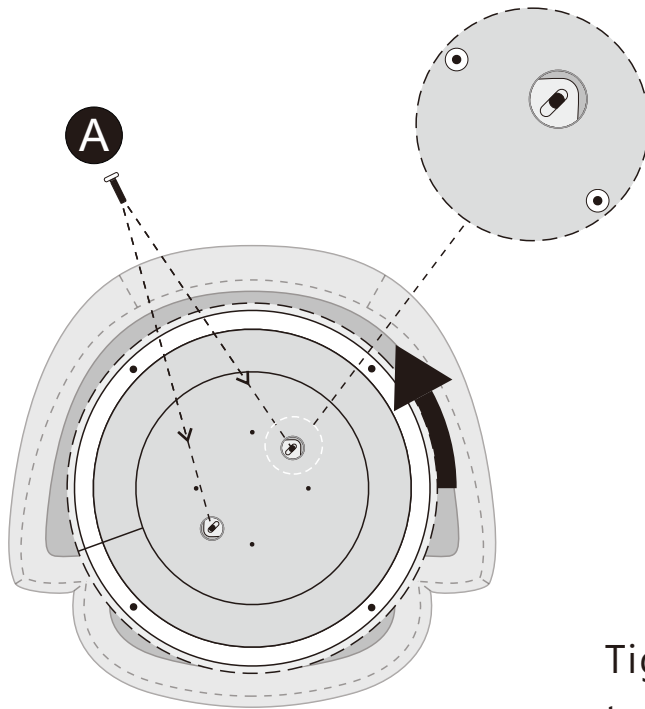
Let the chair be your quiet time

• Installation steps •

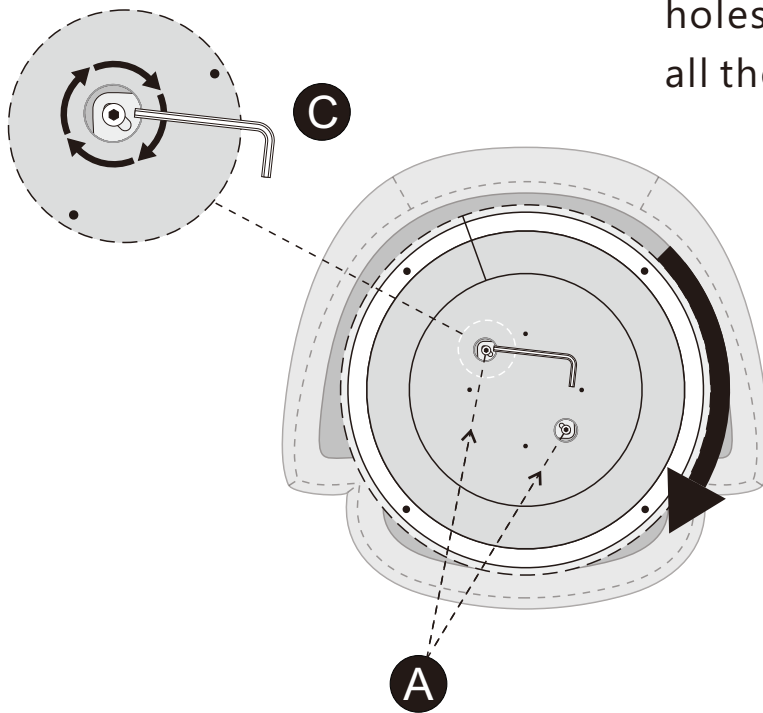


Let the chair be your quiet time

• Installation steps •

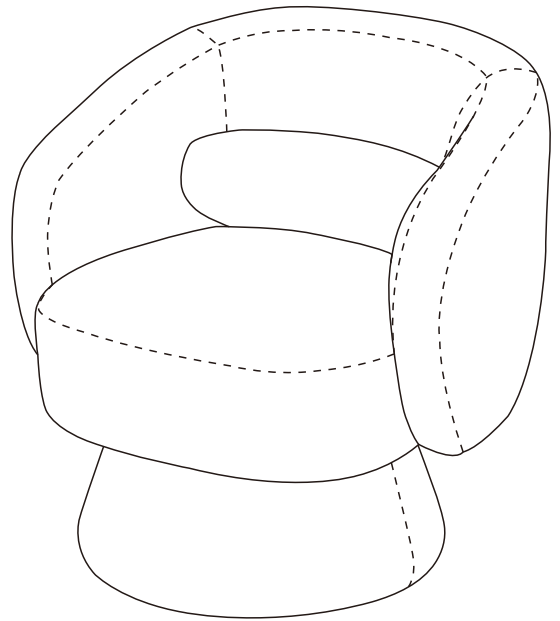
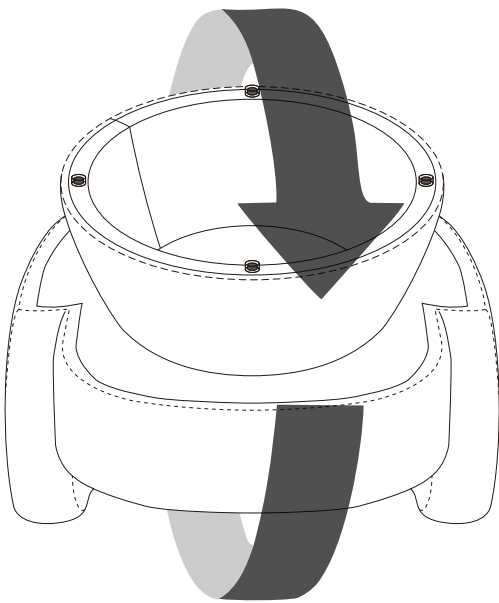
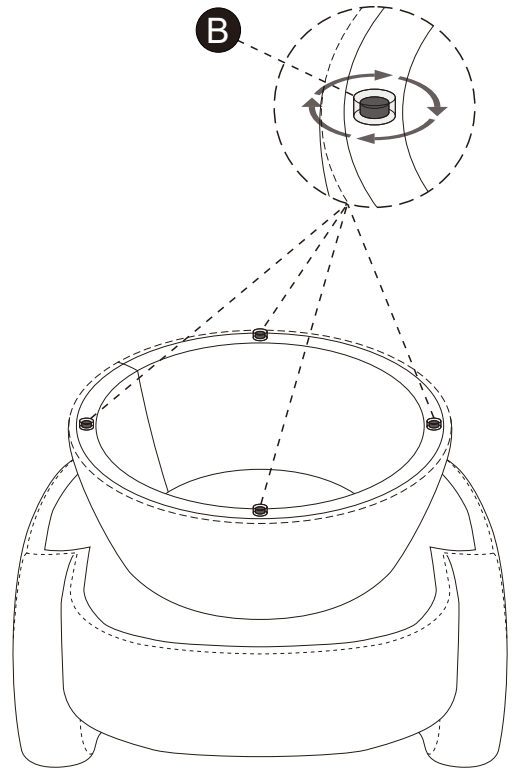
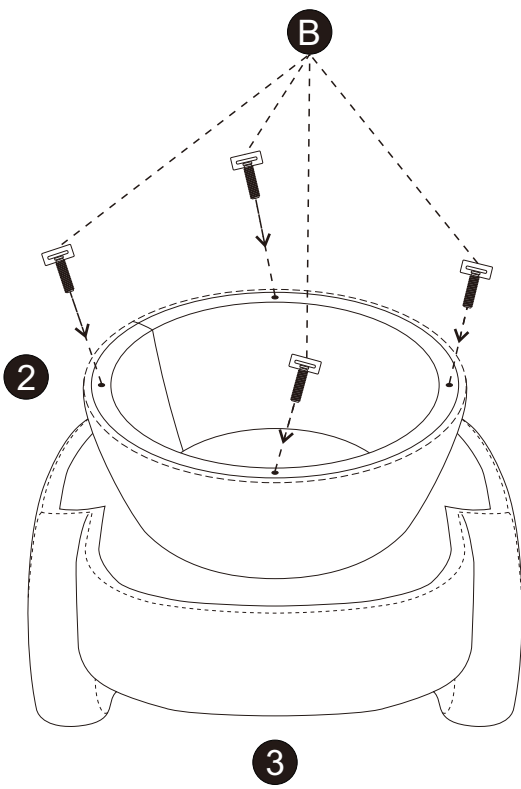


Tighten the two screws temporarily, wait until the four screws are fully aligned with the screw holes, and then tighten all the screws completely.



Let the chair be your quiet time

• Installation steps •



Let the chair be your quiet time

• Notice •

1. Please retain these instructions for future reference.
2. Do not stand on or use any part of this item as a step ladder.
firmly secure all bolts, screws.
3. These chairs are designed to seat one person only per chair.
4. Do not use the chair unless all the bolts and screws are finally tightened.
5. At least every four months, please check all bolts and screws to make sure they are securely tightened.
6. If any parts are missing, broken, damaged or worn, stop using this product immediately until repairs are made.
7. Do not use this item in a way inconsistent with the manufacturer's instructions as this could void the product warranty.
8. Failure to follow these warnings could result in serious injury.



Let the chair be your quiet time