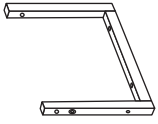
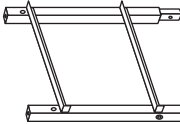
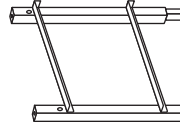

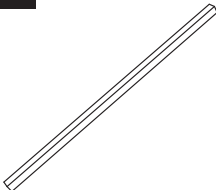
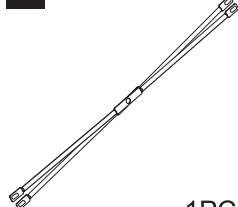

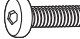


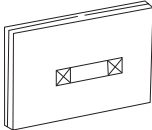



2 Drawer Storage

Assembly Instructions

Product Parts

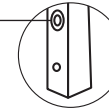
A Top Frame  2PCS	B Bottom Left Frame  1PC	C Bottom Right Frame  1PC	D Drawer Top  1PC
E Frame Pole  2PCS	F Rear Bar  1PC	G Short Screw  8PCS	H Long Screw  8PCS
I Frame Screw  4PCS	J Hex Key  1PC	K Drawer  2PCS	L Drawer Insert  2PCS

Thank you for your purchase. Please reference assembly instructions before use. Make sure all parts are present and place them side by side for easy identification.

Step 1

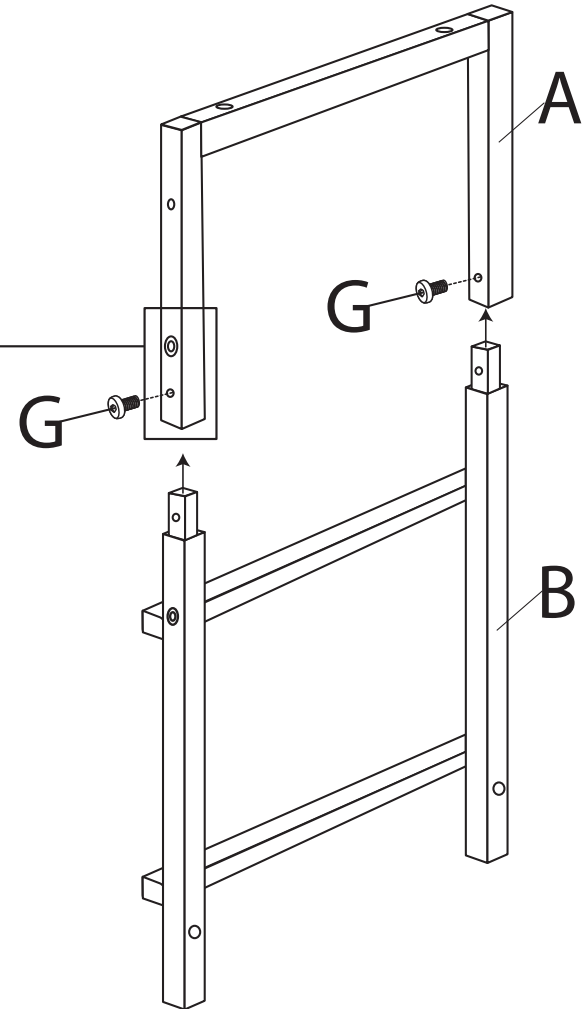
Please note:

rear bar anchor



*For this step make sure the frames are facing the correct direction with the frame's drawer stoppers facing inwards to ensure the screws will slide into the frame.

Gx2
Jx1

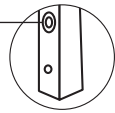


Step 1: Connect top frame (A)* to bottom left frame (B) as shown. Secure with short screw (G) and tighten with hex key (J).

Step 2

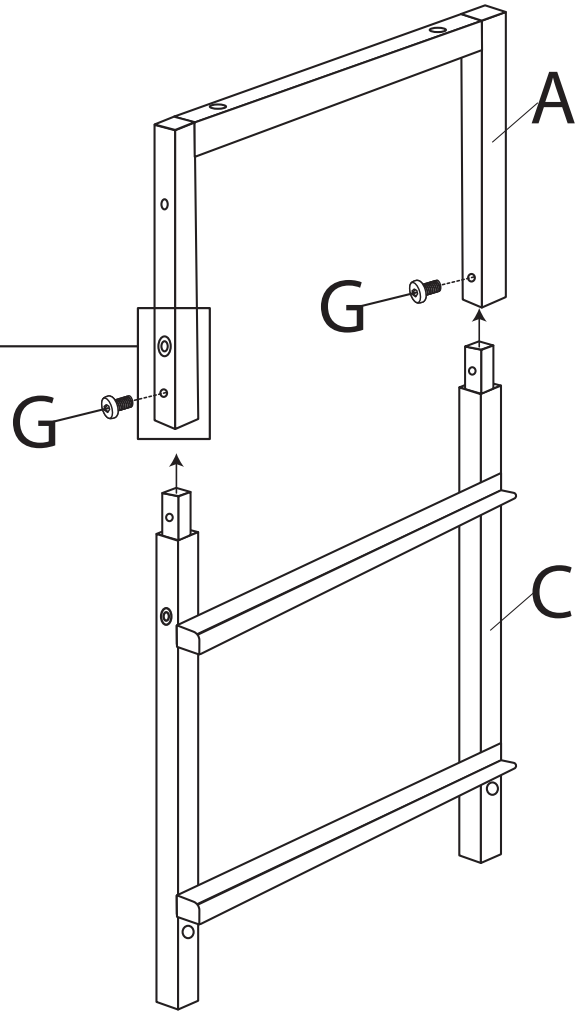
Please note:

rear bar anchor



*For this step make sure the frames are facing the correct direction with the frame's drawer stoppers facing inwards to ensure the screws will slide into the frame.

Gx2
Jx1

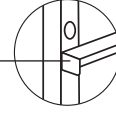


Step 2: Connect top frame (A)* to bottom right frame (C) as shown. Secure with short screw (G) and tighten with hex key (J).

Step 3

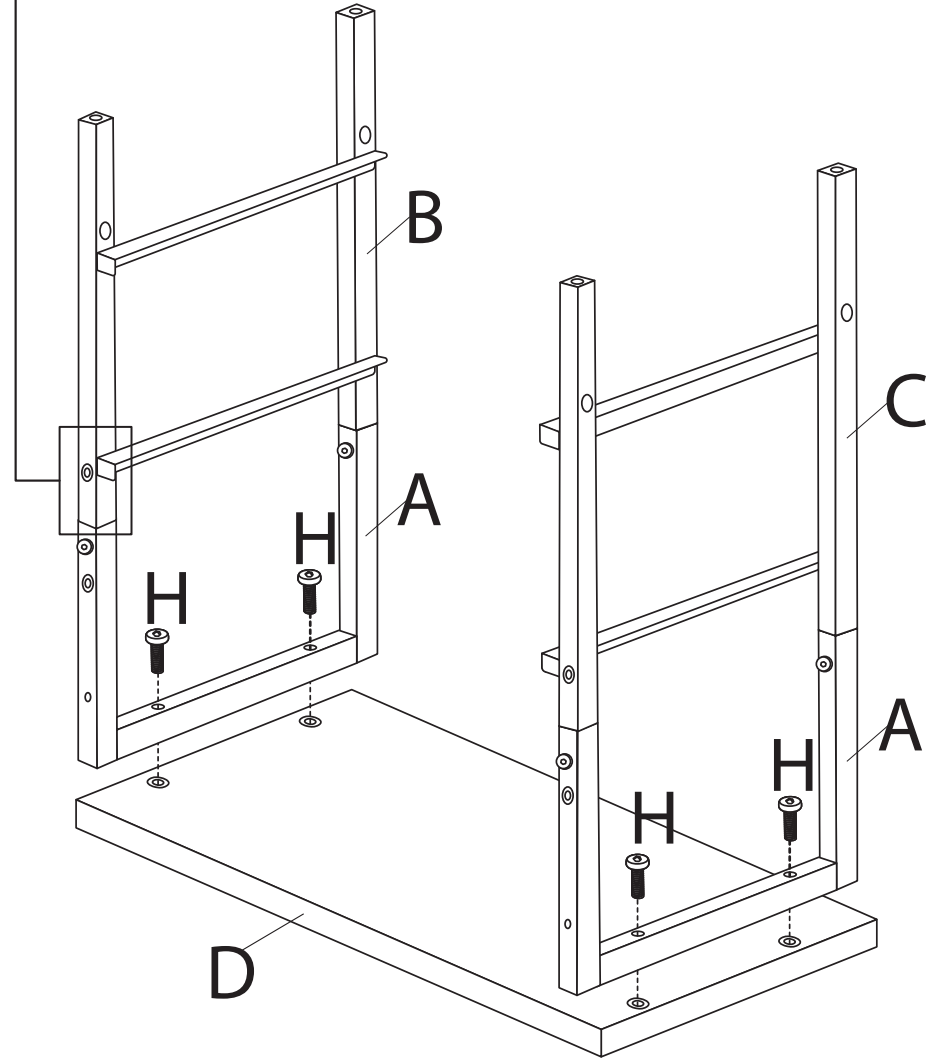
Please note:

drawer stopper



*For this step make sure the frames are facing the correct direction with the frame's drawer stoppers facing inwards to ensure the drawers will slide into the frame.

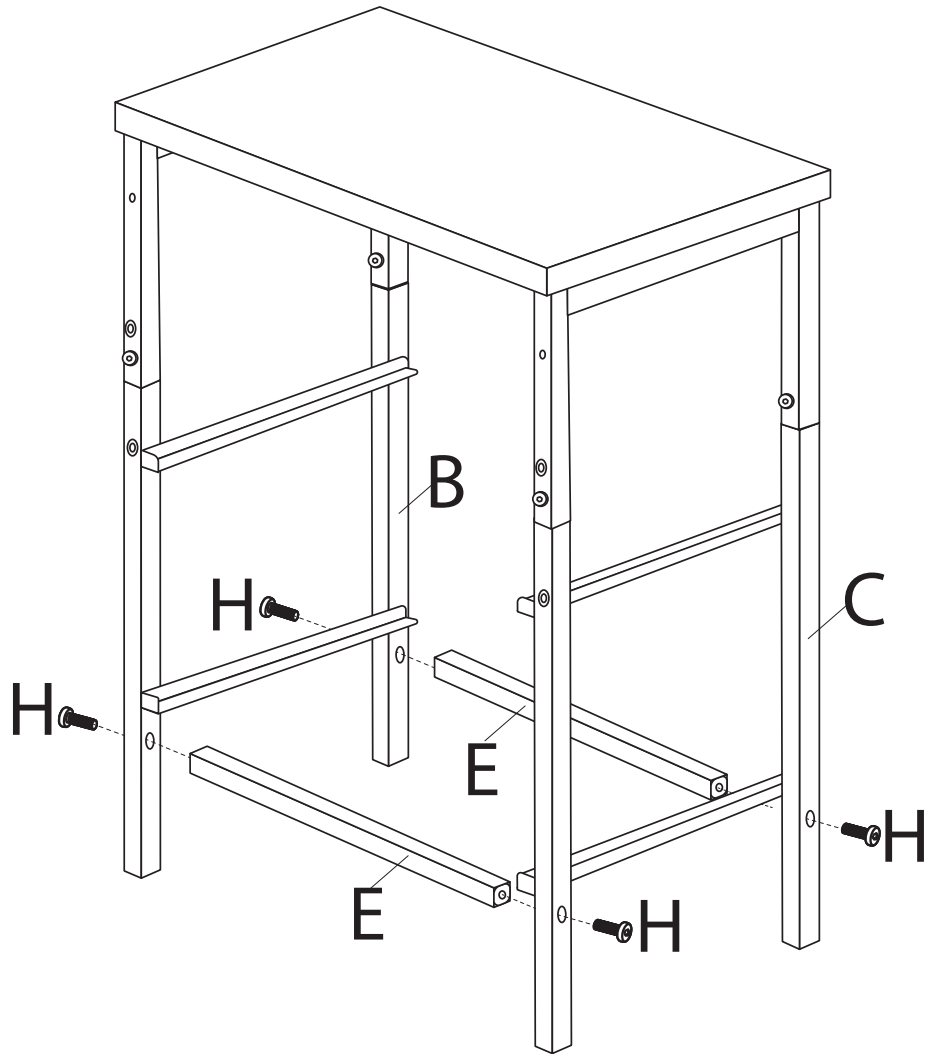
Hx4
Jx1



Step 3: Place assembled frames (A,B,C) over drawer top (D) as shown and secure with long screws (H) and hex key (J).

**Step
4**

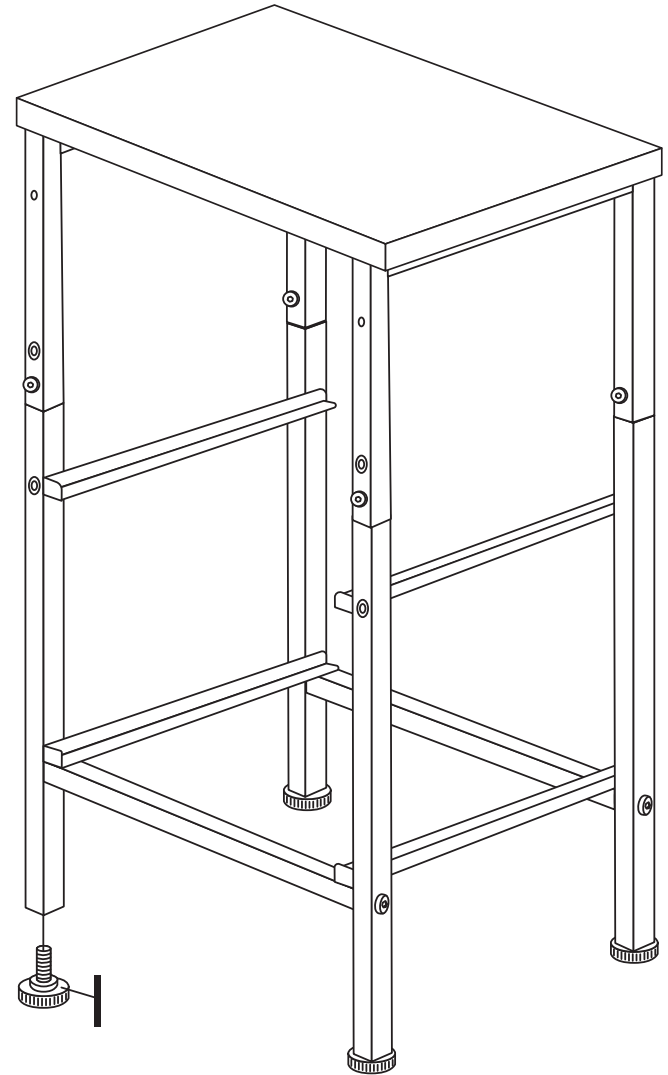
Hx4
Jx1



Step 4: Connect frame poles (E) to frames (B,C) and secure with long screws (H) and hex key (J).

**Step
5**

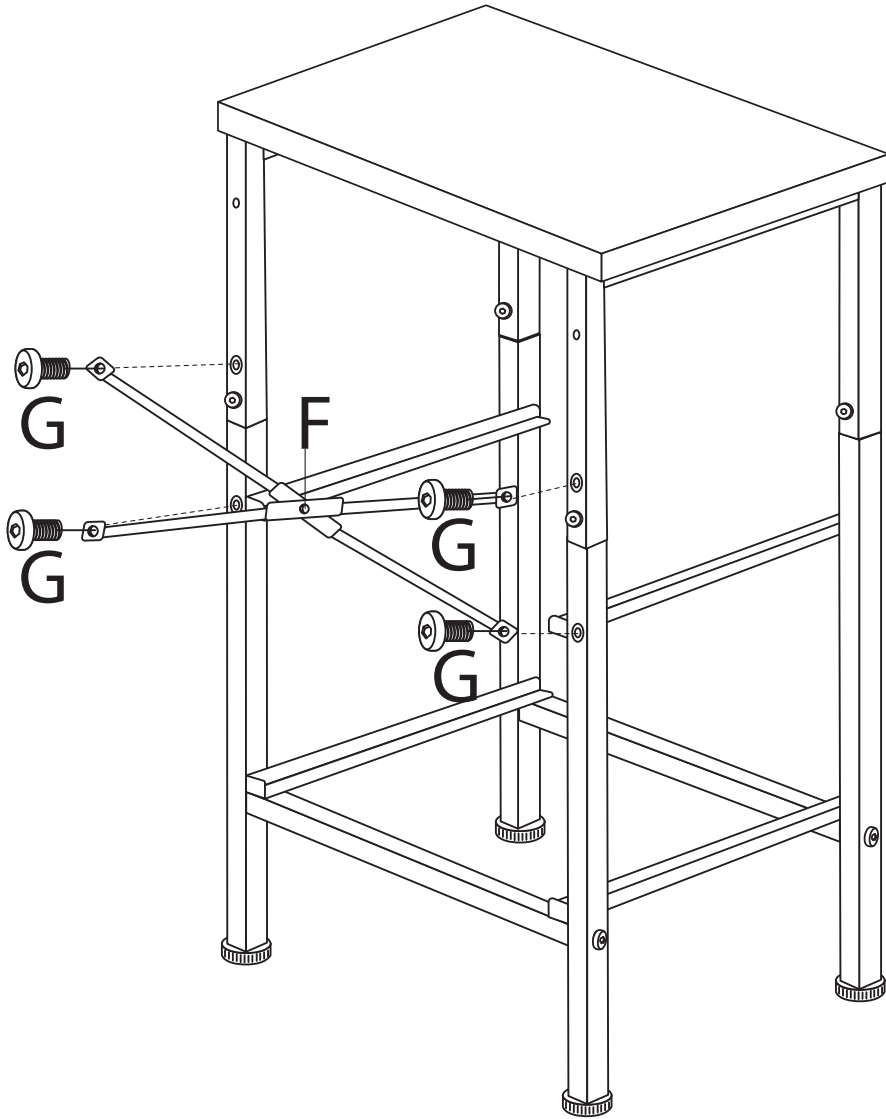
Ix4



Step 5: Screw frame screws (I) into the legs of the assembled frame.

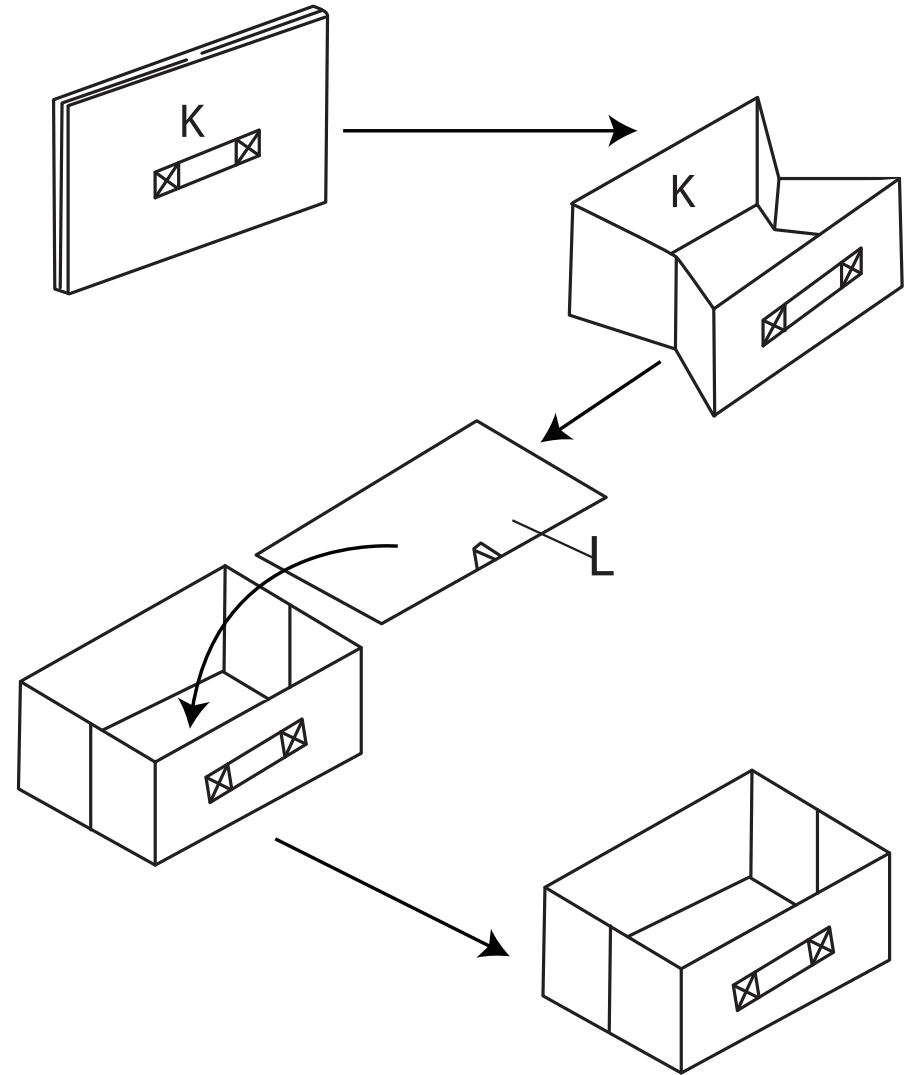
Step 6

Gx4
Jx1



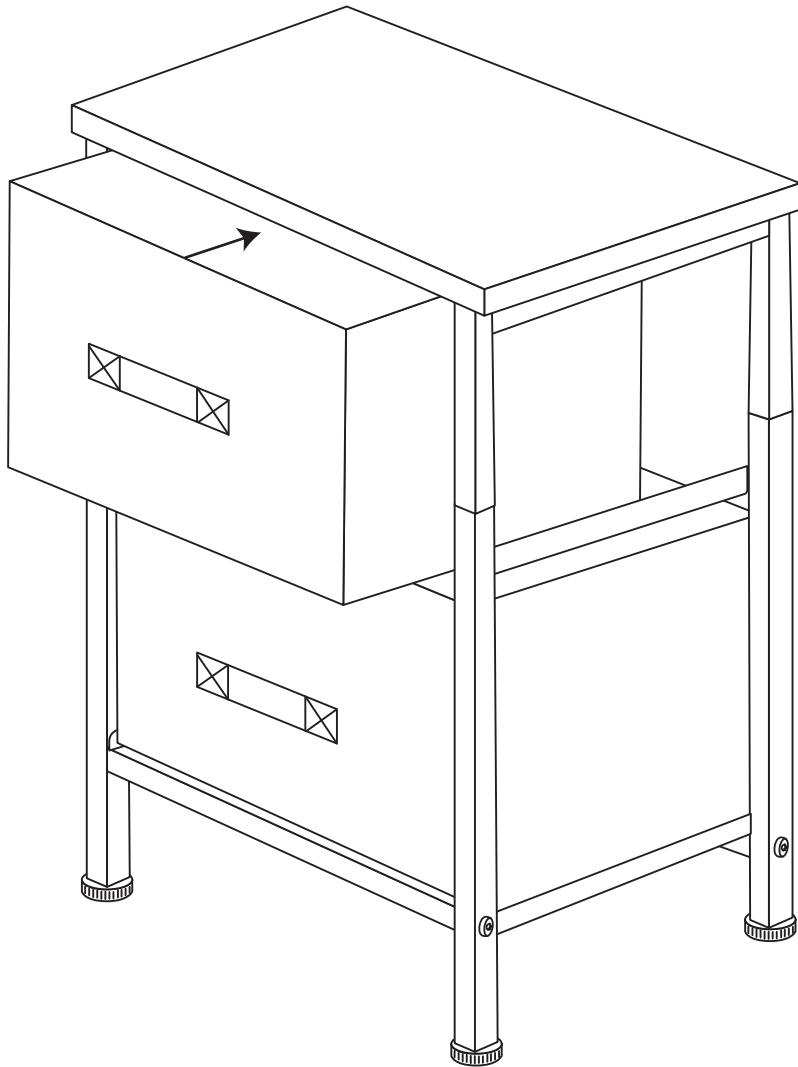
Step 6: Unfold rear bar (F) then place over assembled frame. Secure with short screws (G) using the hex key (J).

Step 7



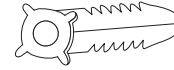
Step 7: Unfold drawers (K), place drawer insert (L) inside.

Step
8



Step 8: Insert drawers within assembled storage dresser.

A Wall Anchor



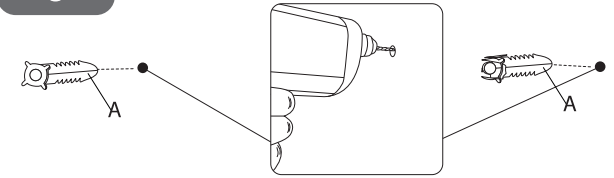
2PCS

B Wall Mount Screw



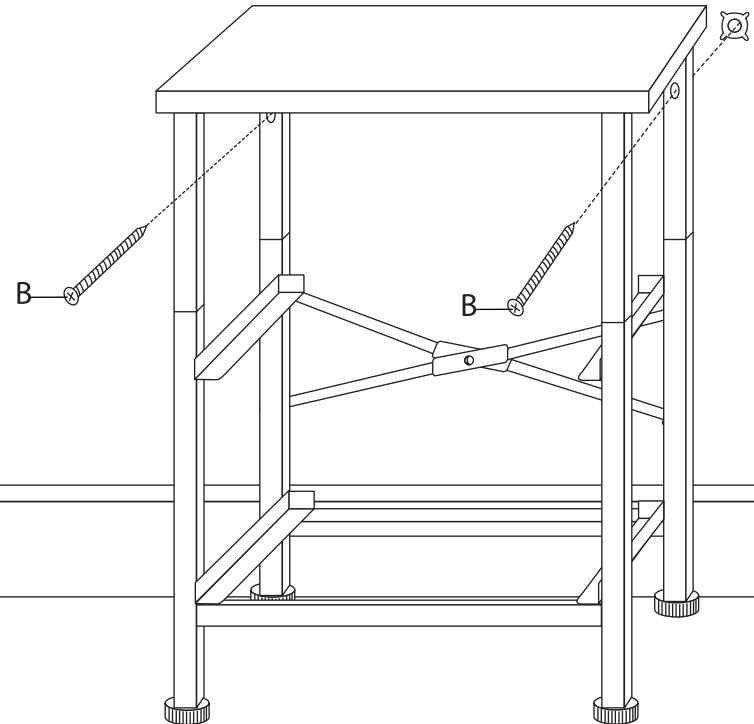
2PCS

Step
9



Step 9: Drill a hole into the wall using a 6mm bit and gently insert the wall anchor (A) with the help of a hammer.

Step
10



Step 10: Place the shelf against the wall, and insert the wall mount screws (B). After making sure everything is screwed in tightly, you can start to use the assembled piece. Enjoy!