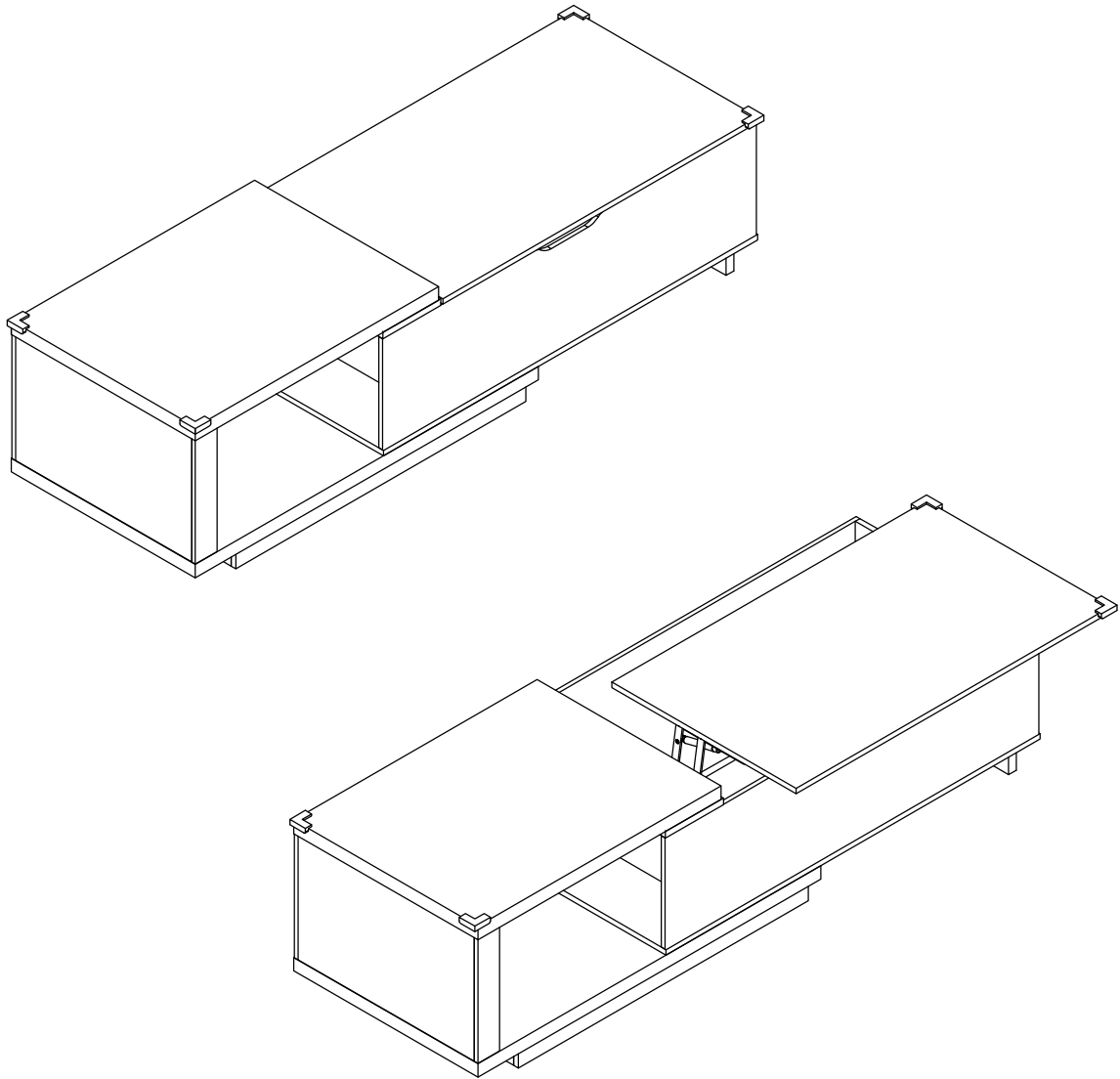


# ASSEMBLY INSTRUCTIONS

**DJ0994**



## "SAFETY TIPS:

Static charge may cause dust on foam – clean with a dry or damp cloth.

Small foam strands may be present – handle gently and dispose of properly.

Do not burn or incinerate. Check local recycling guidelines.

Version No. :DJ0994\_V01

If you encounter any problems during installation, Please contact our customer service.

Important reminder:

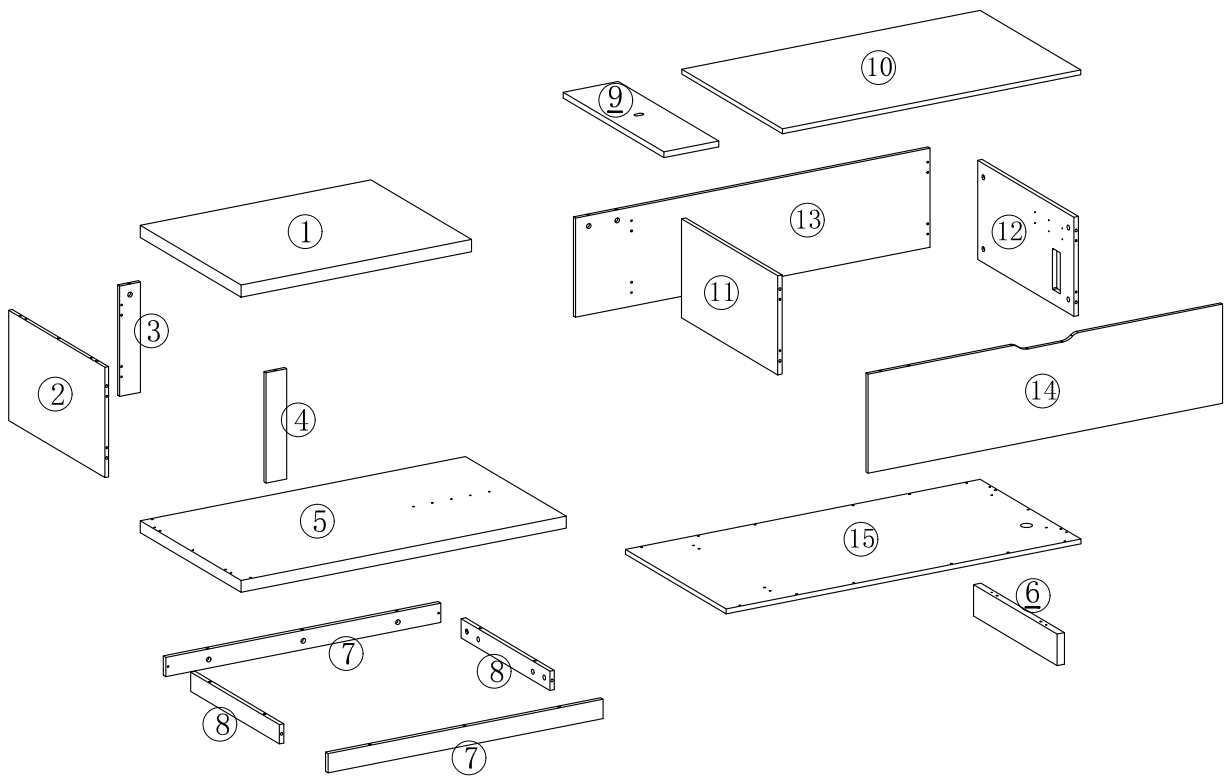
- △ Please sort and check all accessories before assembly.
  - △ Please place the product on empty cardboard box or carpet to avoid scratches on it,
  - △ Please use proper tools for assembly. Using an electric screwdriver can accelerate the assembly speed, but please do not overtighten the screws.
  - △ Please follow the assembly steps and do not skip any of them.
  - △ If possible, please find a partner to help you with assembly, which can accelerate assembly.
  - △ Keep all small parts of this product away from children. They may cause serious injury.
  - △ We hope you can retighten the screws 2 weeks after assembly, and check the tightening procedure of the screws every 3 months.
- If you meet any difficulty, our friendly customer team are always ready to help you.



Warning:Overturning the product can cause serious crushing injuries. We have a wall connection device attached, please use it to hold the furniture following assembly instructions. Do not change the structure of this product in way. Our products have been tested and meet any all sales specific security measures. We won't be responsible for any modifications, which may cause significant security risks.

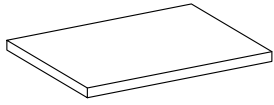
If you encounter any problems during installation, Please contact our customer service.

# Explosion Diagram

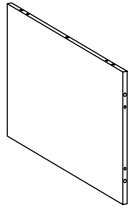


If you encounter any problems during installation, Please contact our customer service.

# Parts and Operation Elements



① 1Pc



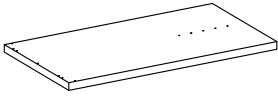
② 1Pc



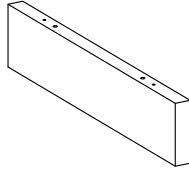
③ 1Pc



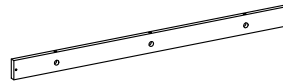
④ 1Pc



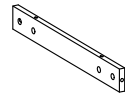
⑤ 1Pc



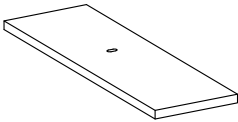
⑥ 1Pc



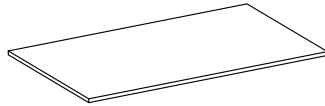
⑦ 2Pcs



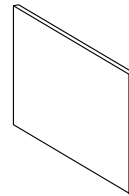
⑧ 2Pcs



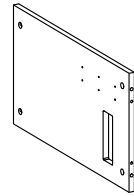
⑨ 1Pc



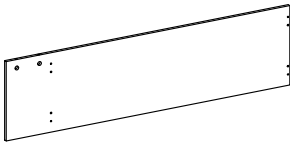
⑩ 1Pc



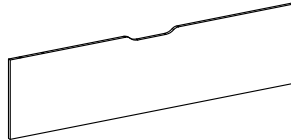
⑪ 1Pc



⑫ 1Pc



⑬ 1Pc



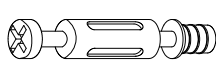
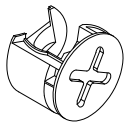
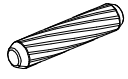
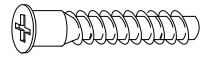
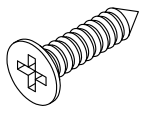
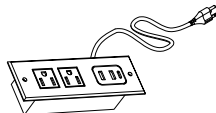
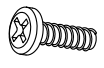
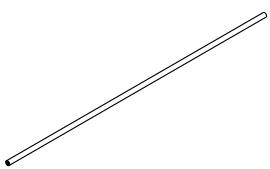
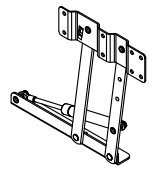
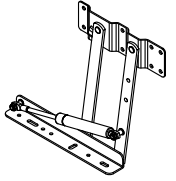

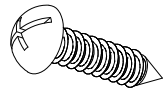
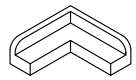
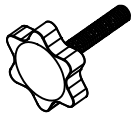

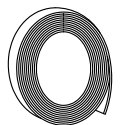

⑭ 1Pc

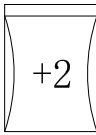


⑮ 1Pc

If you encounter any problems during installation, please contact our customer service.

# HardWare

|  |  |   |   |  |
|--|--|---|---|--|
|               | <br>Cam Lock ( $\phi 15 \times 9.5$ ) | <br>$\phi 6 \times 30$ | <br>M5*38mm | $\phi 7$<br><br>M3.5*12 |
| A 35PCS +2PCS  | B 35PCS +2PCS  | C 26PCS +2PCS   | D 20PCS +2PCS   | E 7PCS +2PCS   |
|               | <br>M6*14                             |                        |             |                         |
| F 1PC  | G 2PCS   | H 1PC   | I 1PC   | J 1PC  |
|               | $\phi 8$<br><br>M4*12                 |                        | <br>M6*30  | <br>$\phi 10 \times 2$  |
| K 35PCS +2PCS  | L 18PCS +2PCS  | M 4PCS  | N 1PC   | O 8PCS +2PCS   |
| <br>L=380mm |                                     |   |   |  |
| P 2PCS   | Q 1PC  |   |   |  |



**SPARE BAG**

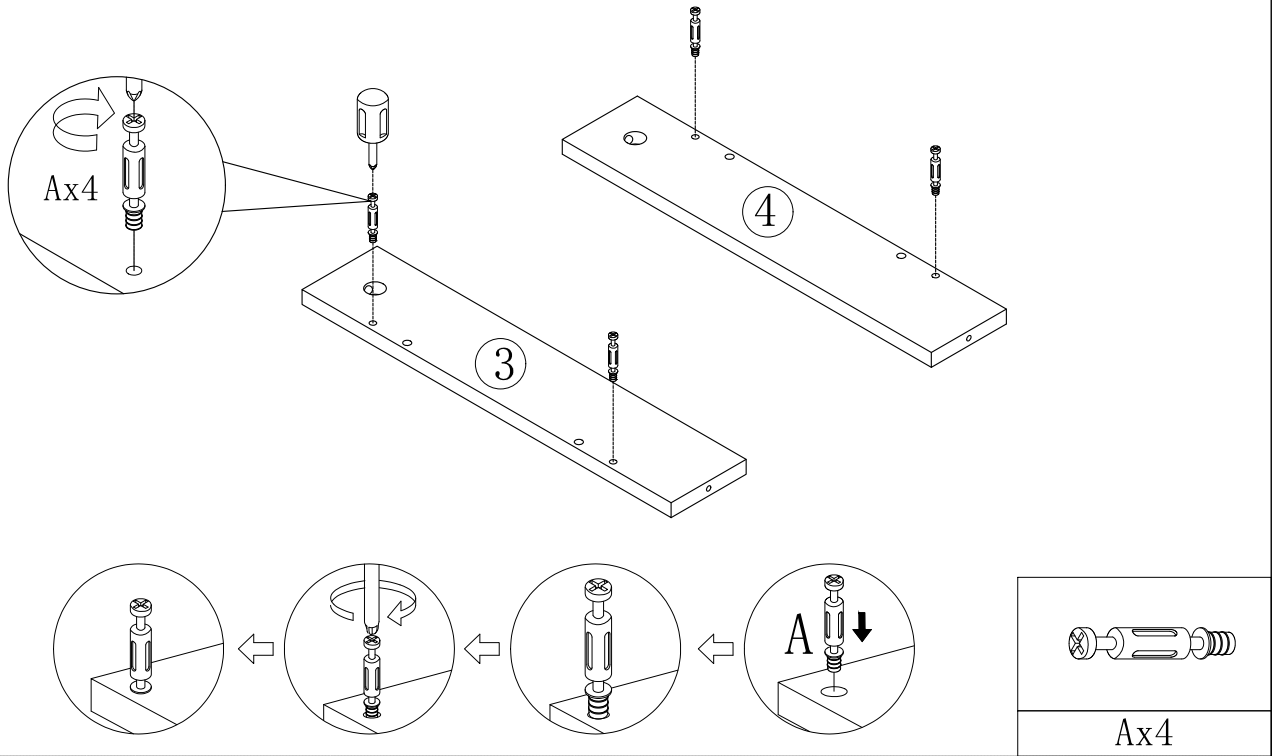
Please put the hardware of +2 in this self sealing bag

If you encounter any problems during installation, please contact our customer service.

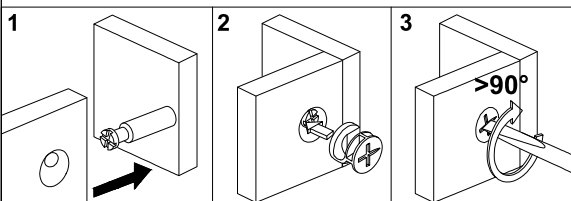
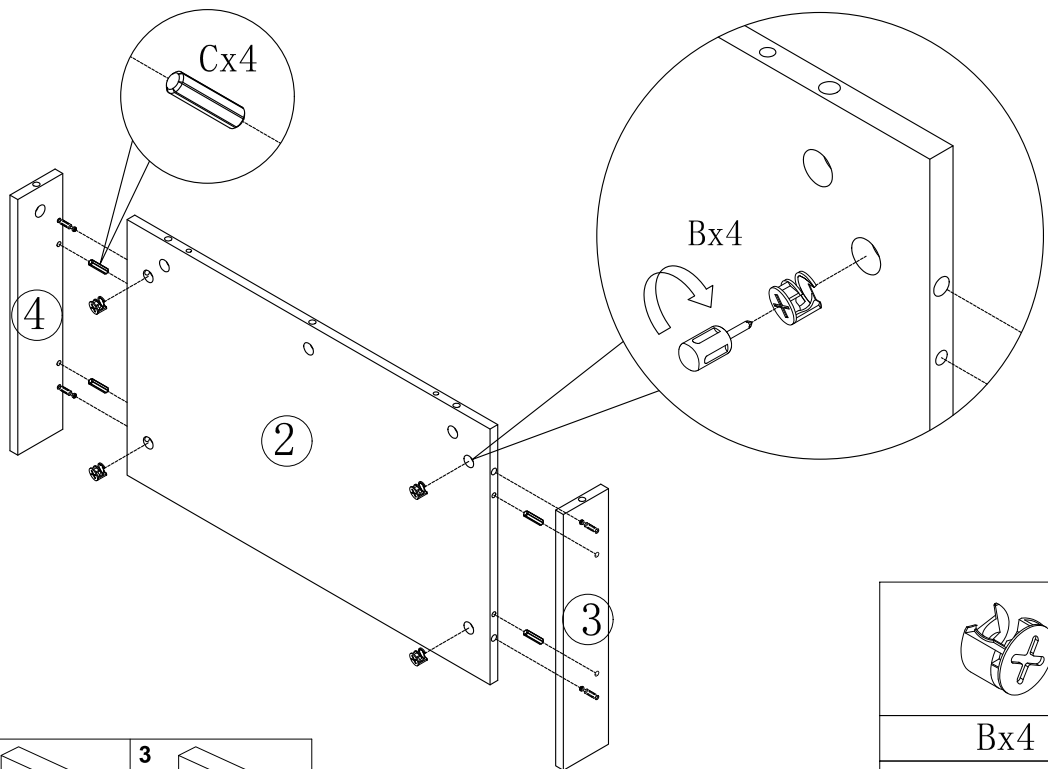
# 1



Firstly, please take out all the boards from the packaging box and arrange them in order for easy access to the boards. Then take out all the hardware from the hardware package and arrange them in alphabetical order. Follow the instructions for each step to determine how many accessories are needed and how much to take.

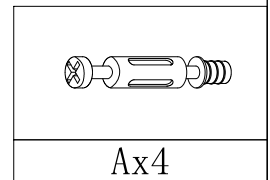
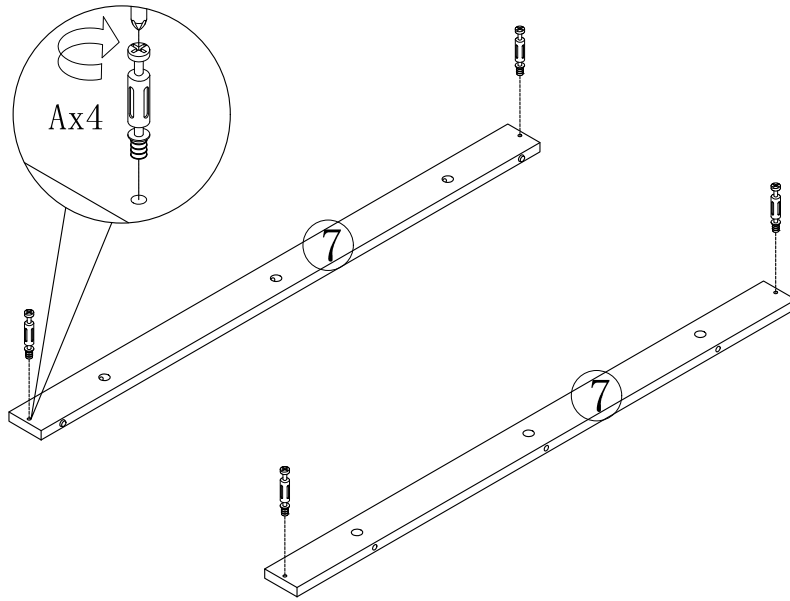


# 2

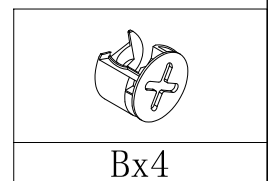
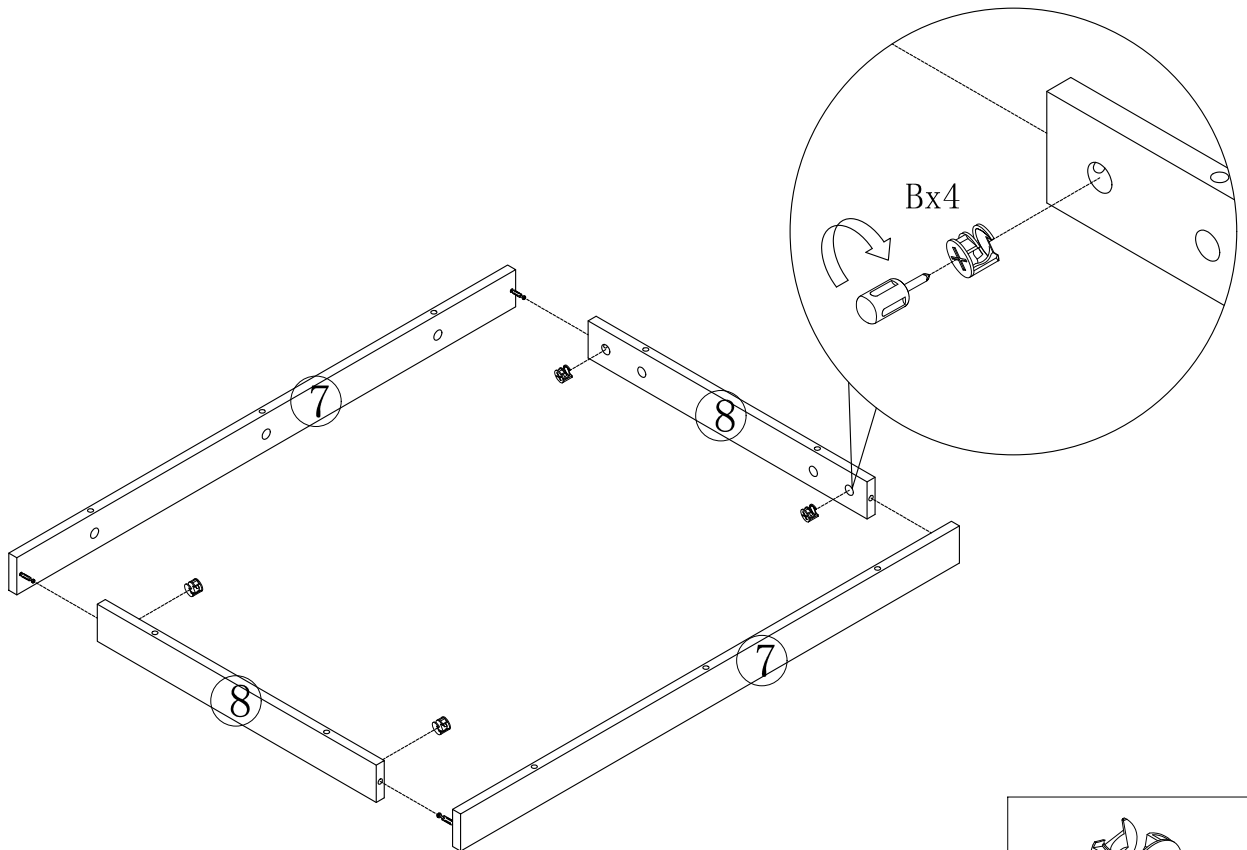


If you encounter any problems during installation, Please contact our customer service.

# 3

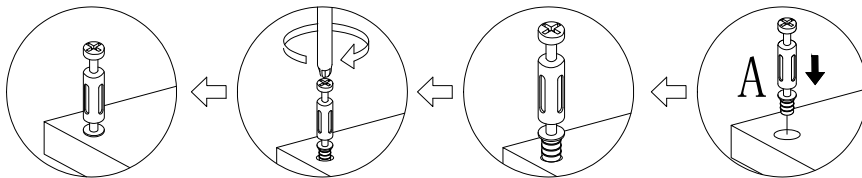
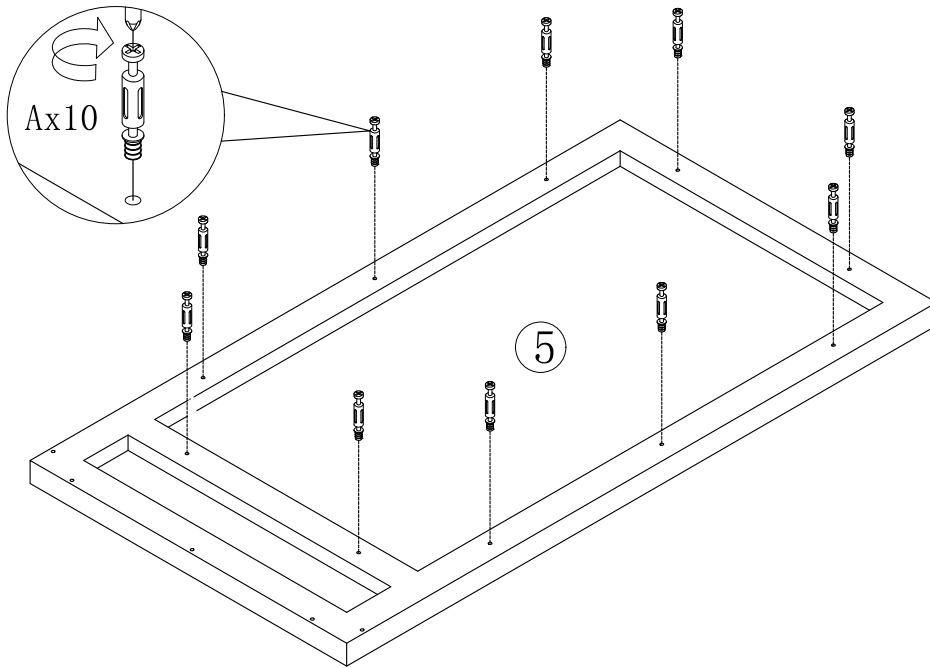


# 4



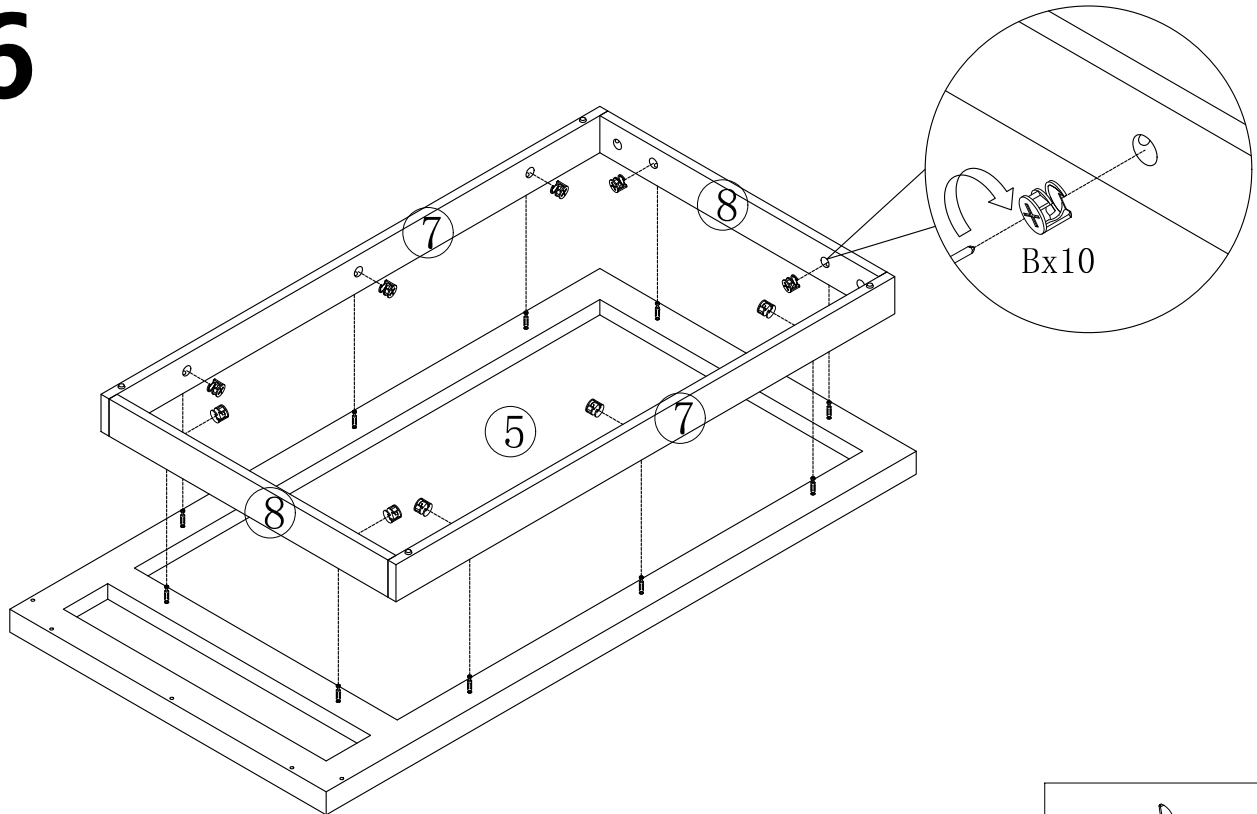
If you encounter any problems during installation, Please contact our customer service.

# 5



Ax10

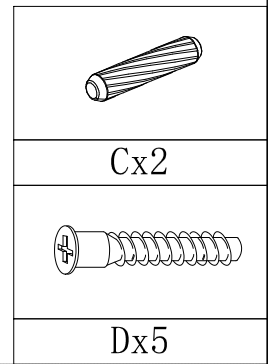
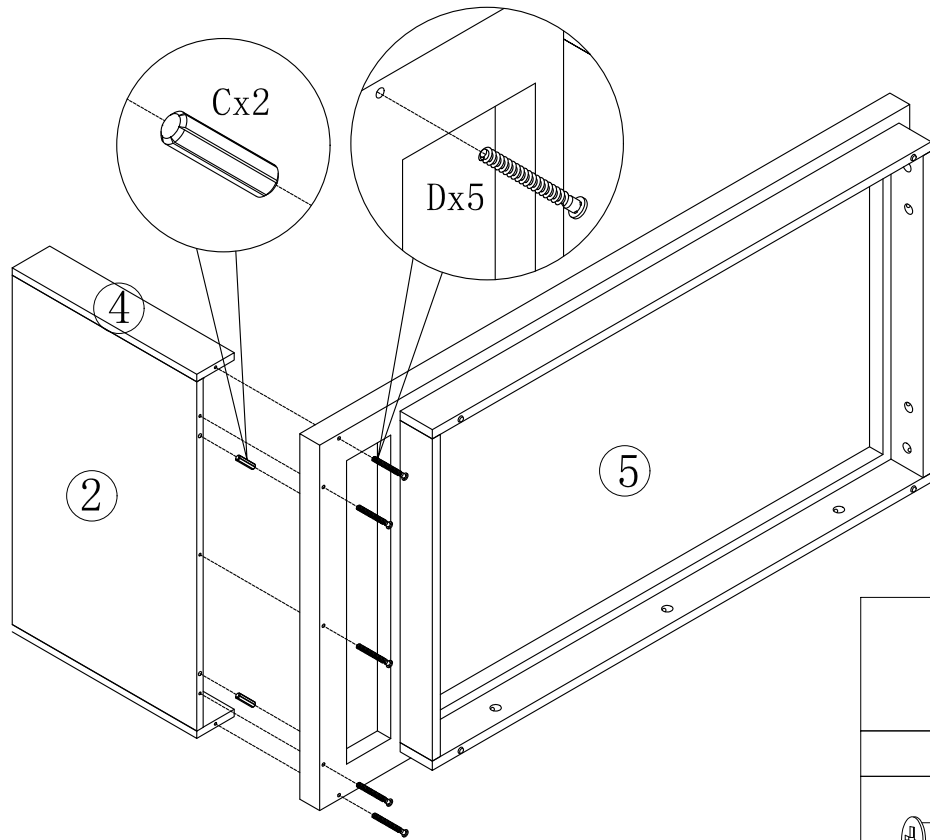
# 6



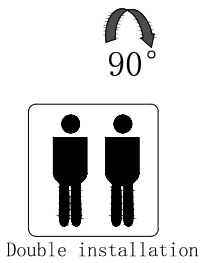
Bx10

If you encounter any problems during installation, Please contact our customer service.

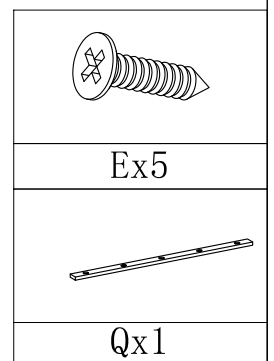
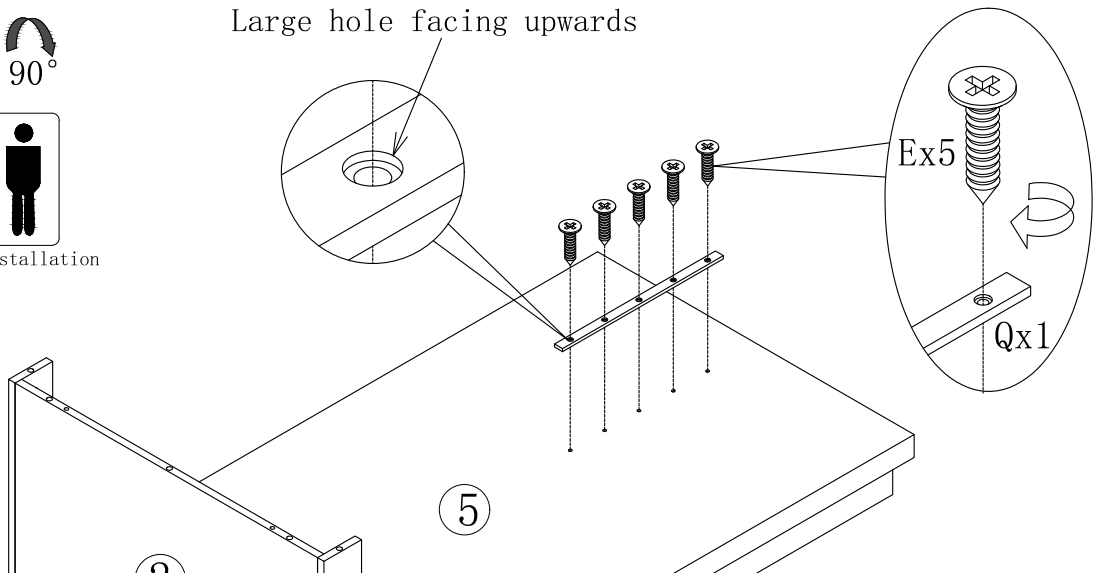
# 7



# 8

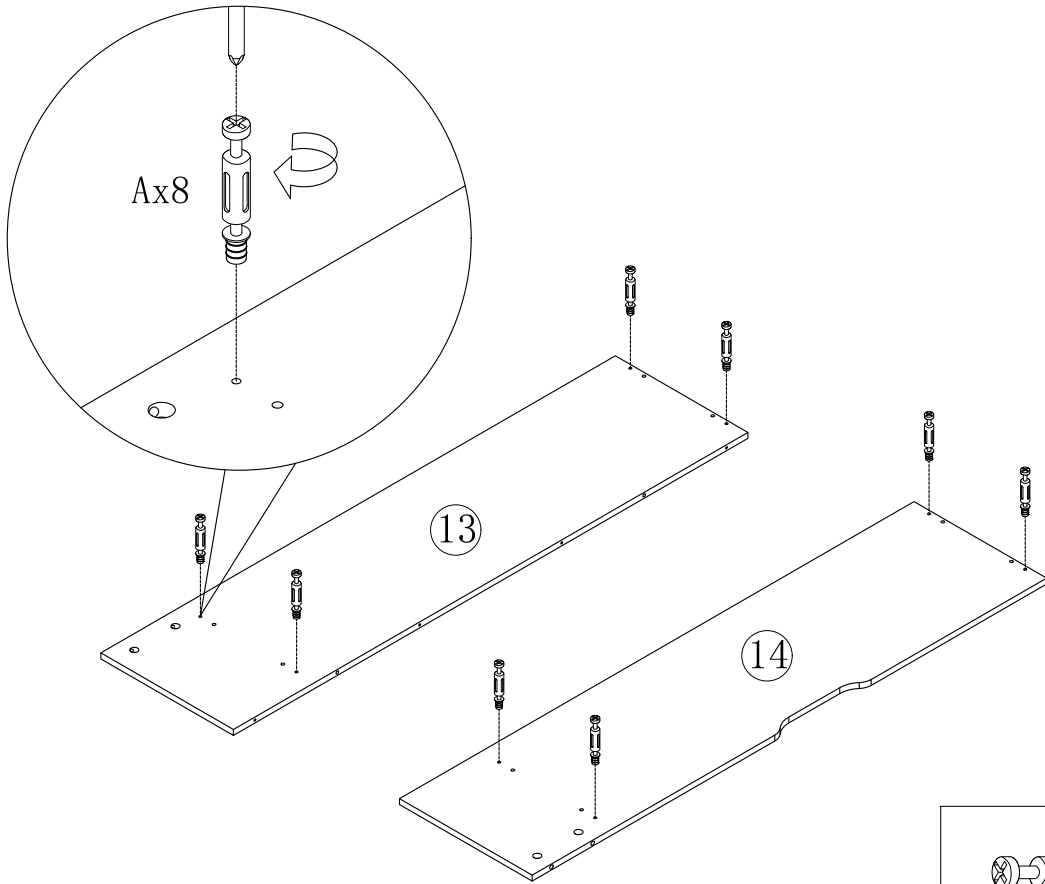


Large hole facing upwards



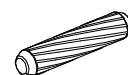
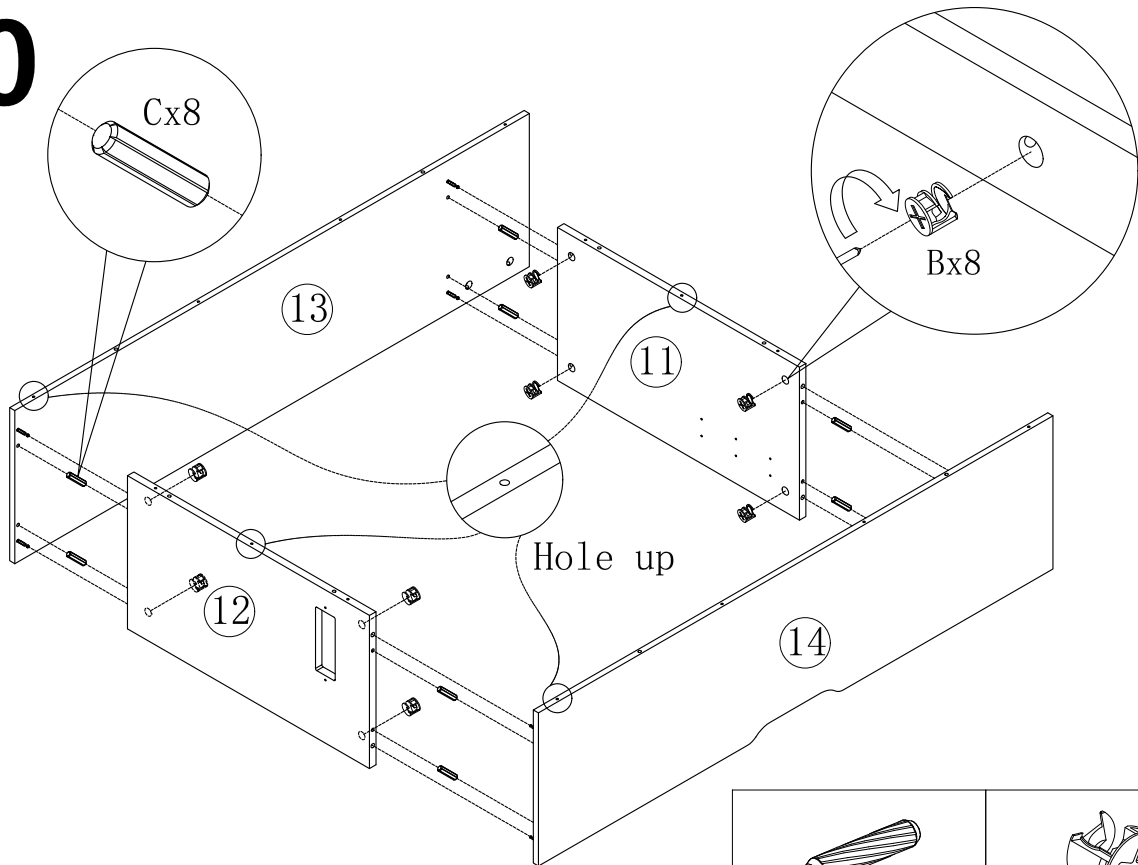
If you encounter any problems during installation, Please contact our customer service.

# 9



Ax8

# 10



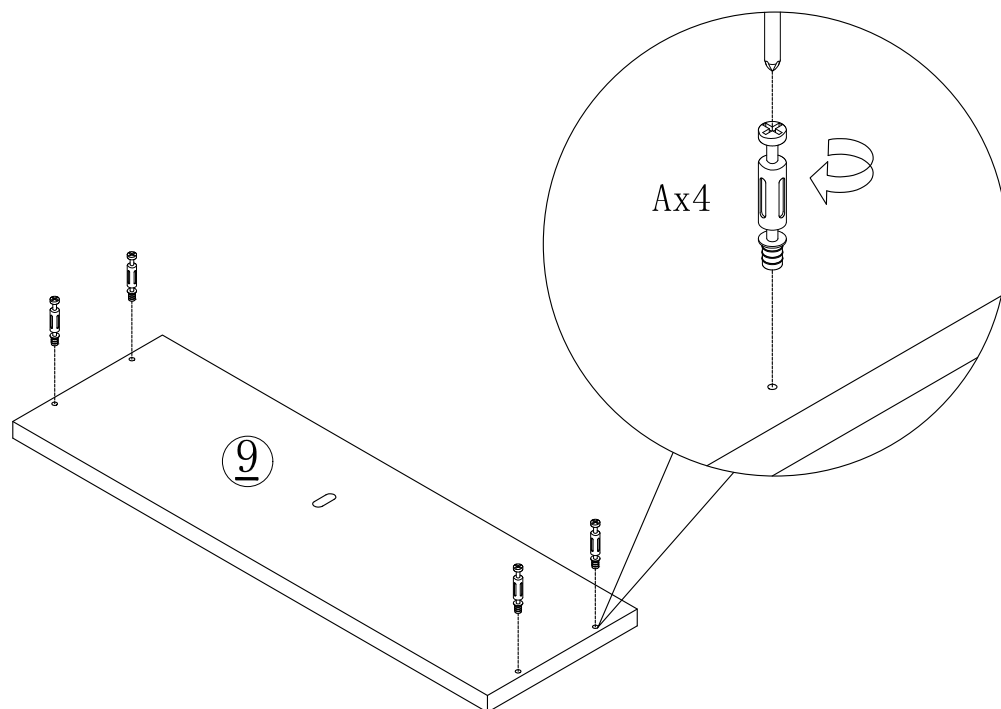
Cx8



Bx8

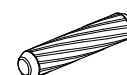
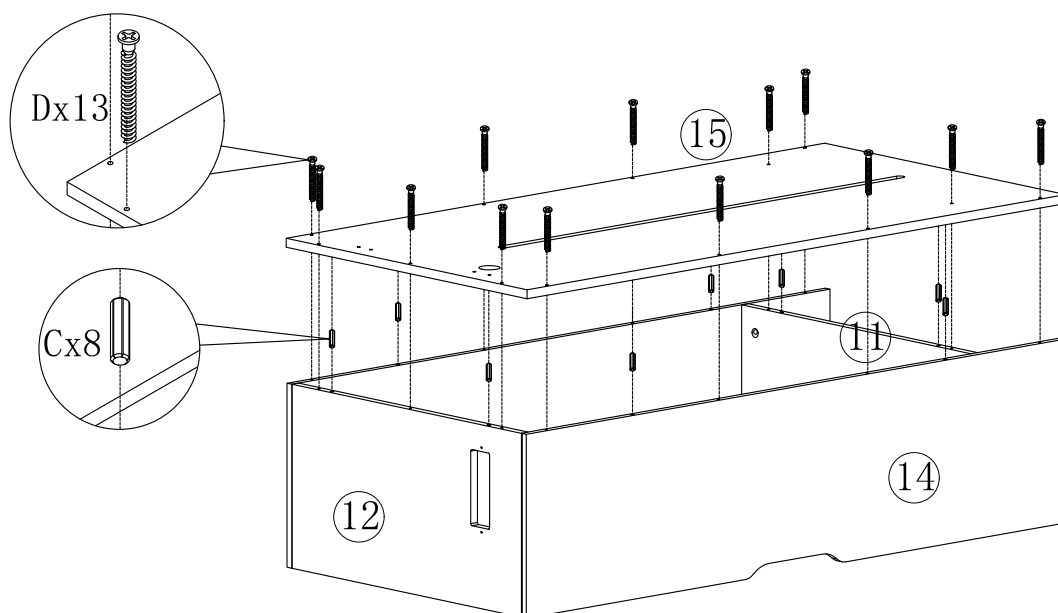
If you encounter any problems during installation, Please contact our customer service.

# 11

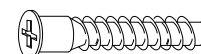


Ax4

# 12



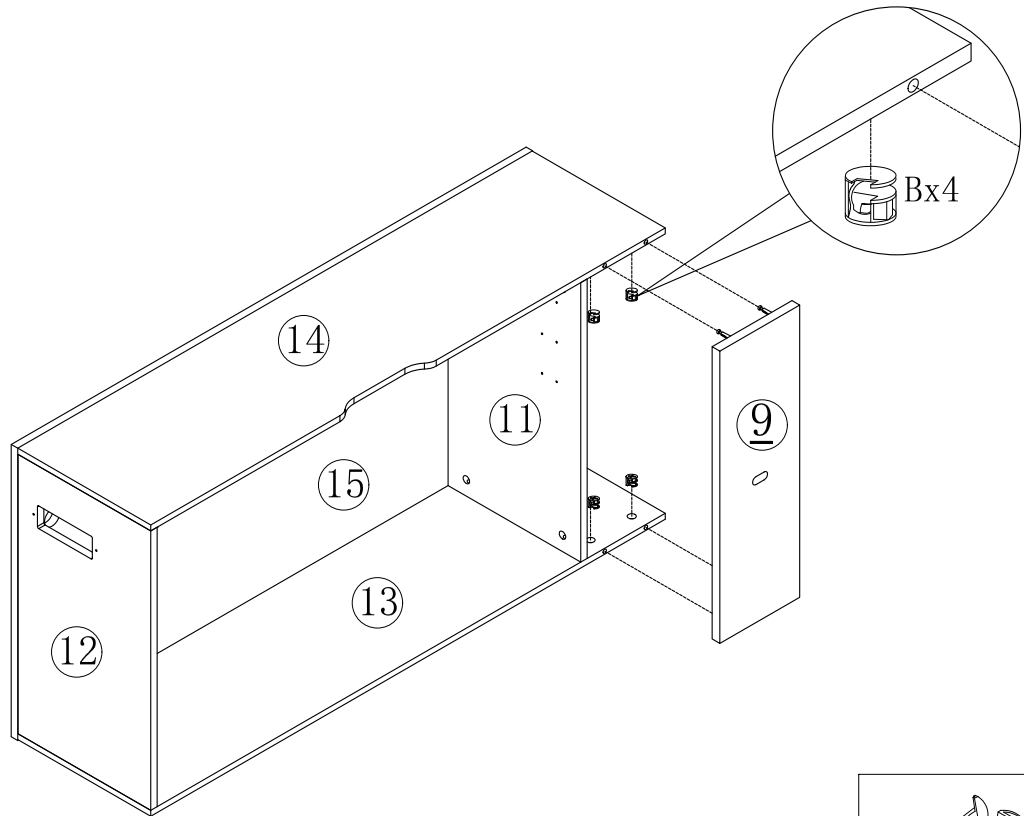
Cx8



Dx13

If you encounter any problems during installation, Please contact our customer service.

# 13

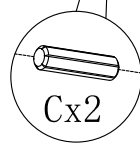
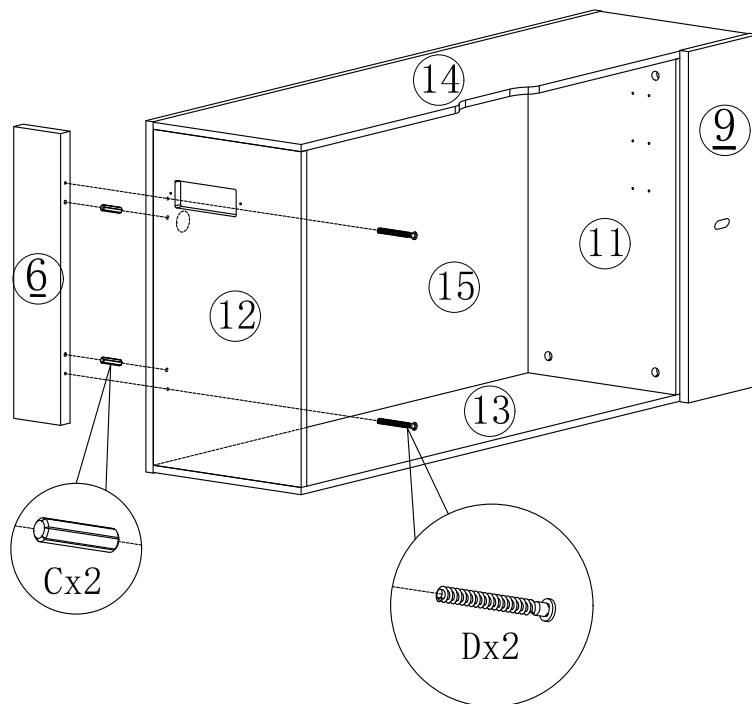


Double installation

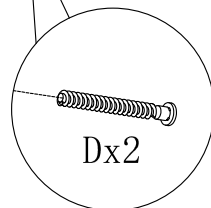


Bx4

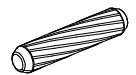
# 14



Cx2



Dx2



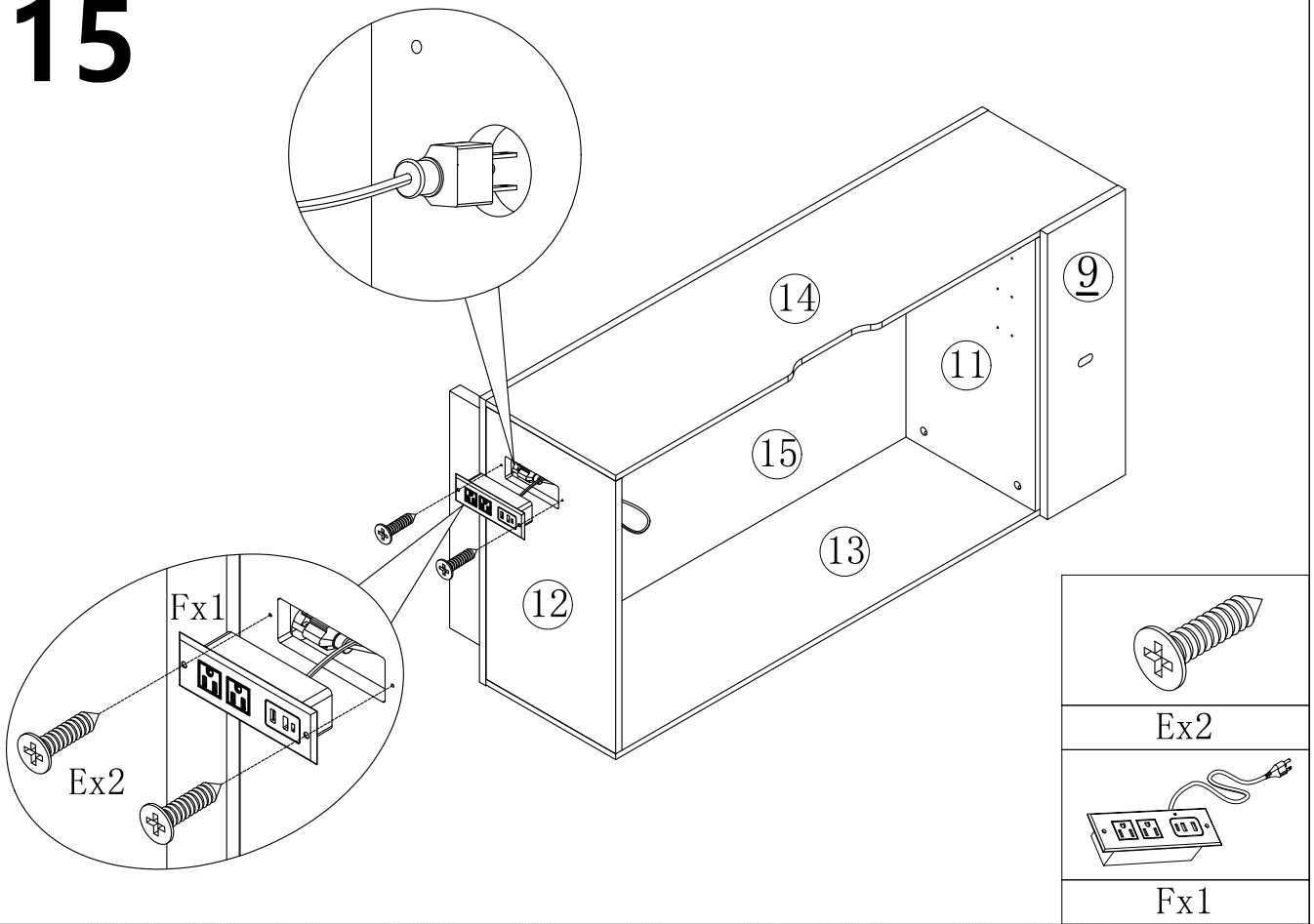
Cx2



Dx2

If you encounter any problems during installation, Please contact our customer service.

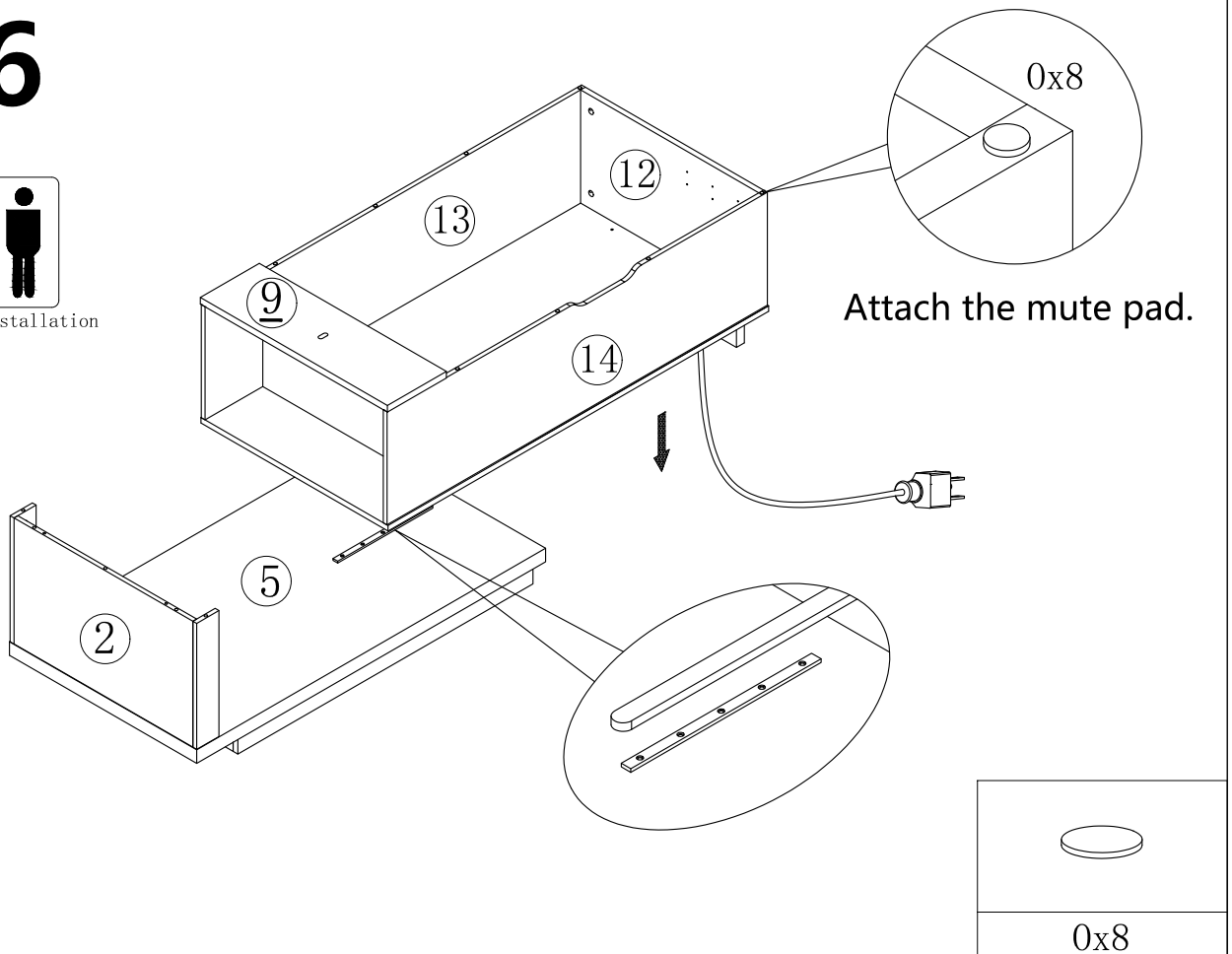
# 15



# 16

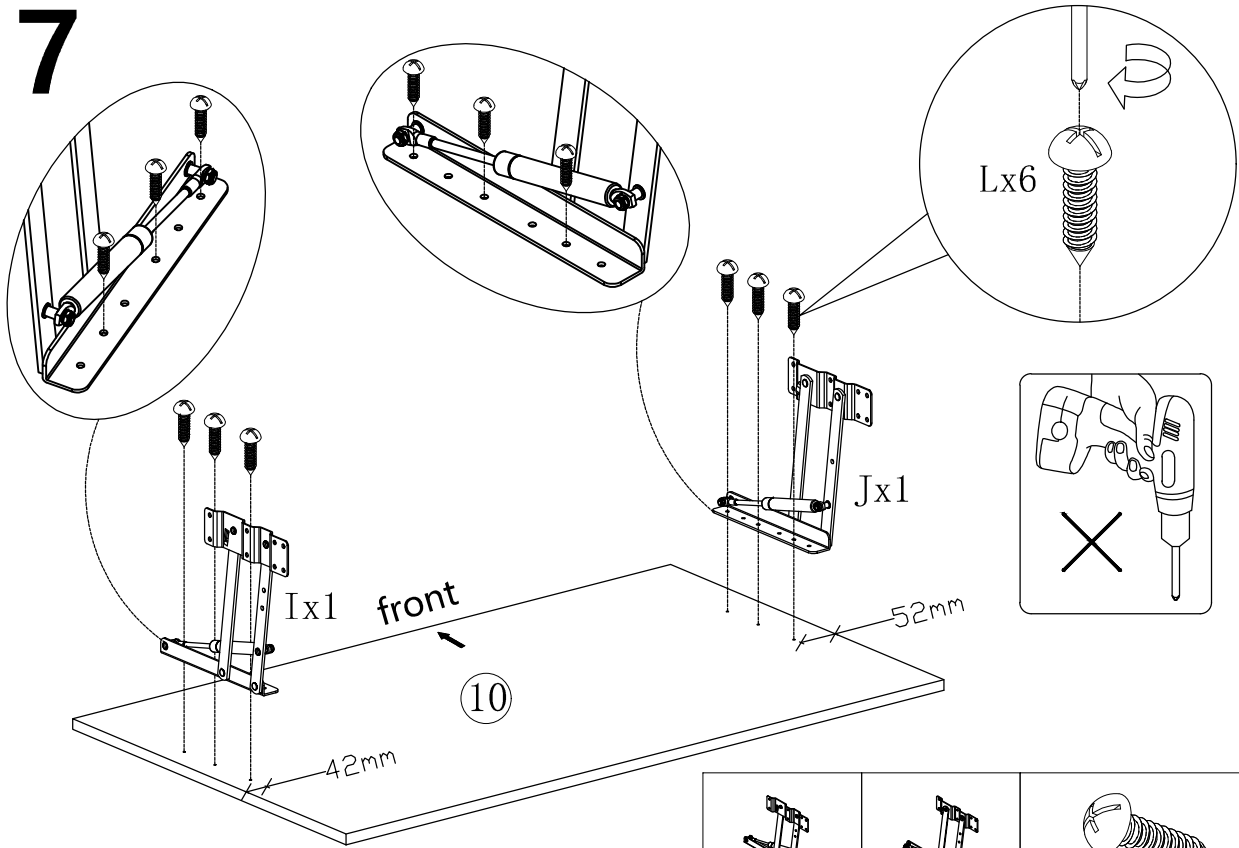




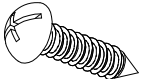
Double installation



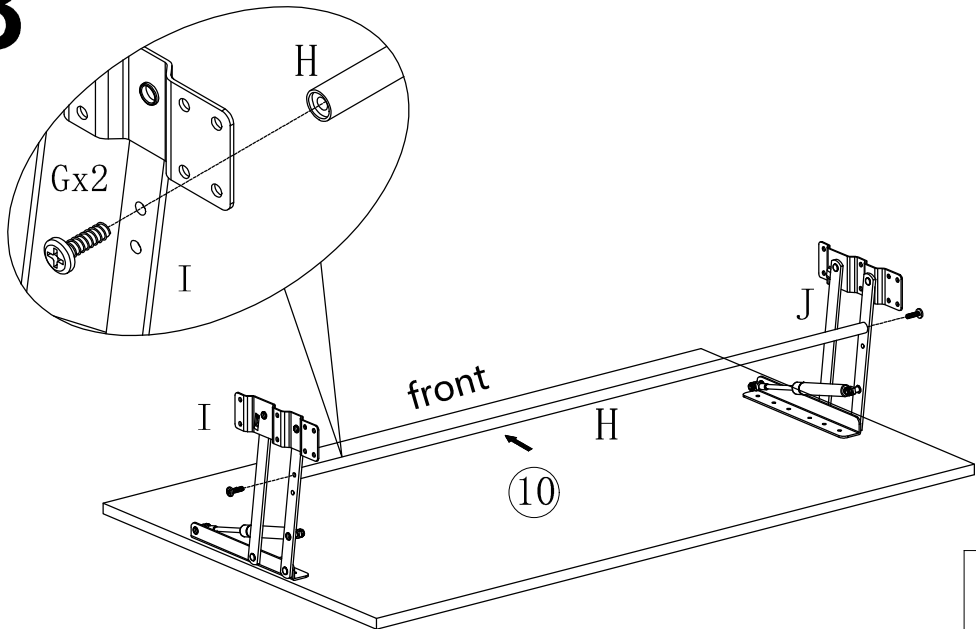
If you encounter any problems during installation, Please contact our customer service.

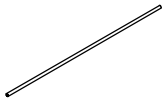
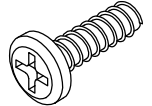
# 17



|   |  |  |
|---|--|--|
|  |  |  |
| Ix1   | Jx1  | Lx6  |

# 18



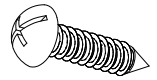
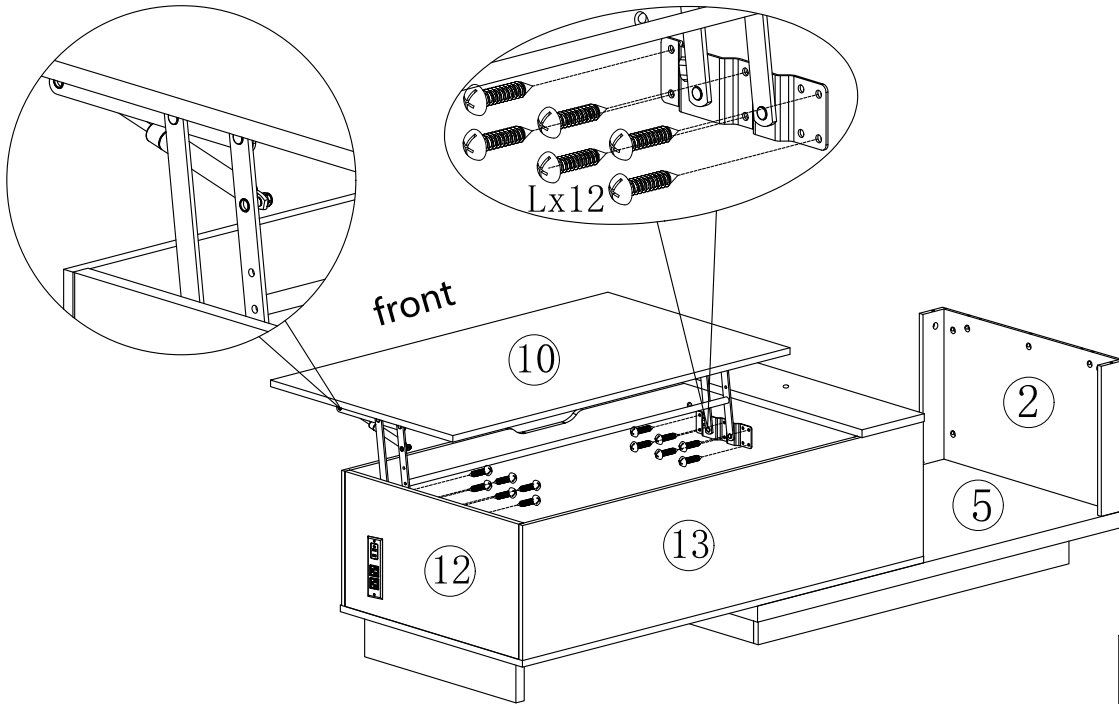
|   |
|---|
|  |
| Hx1   |
|  |
| Gx2   |

If you encounter any problems during installation, Please contact our customer service.

# 19

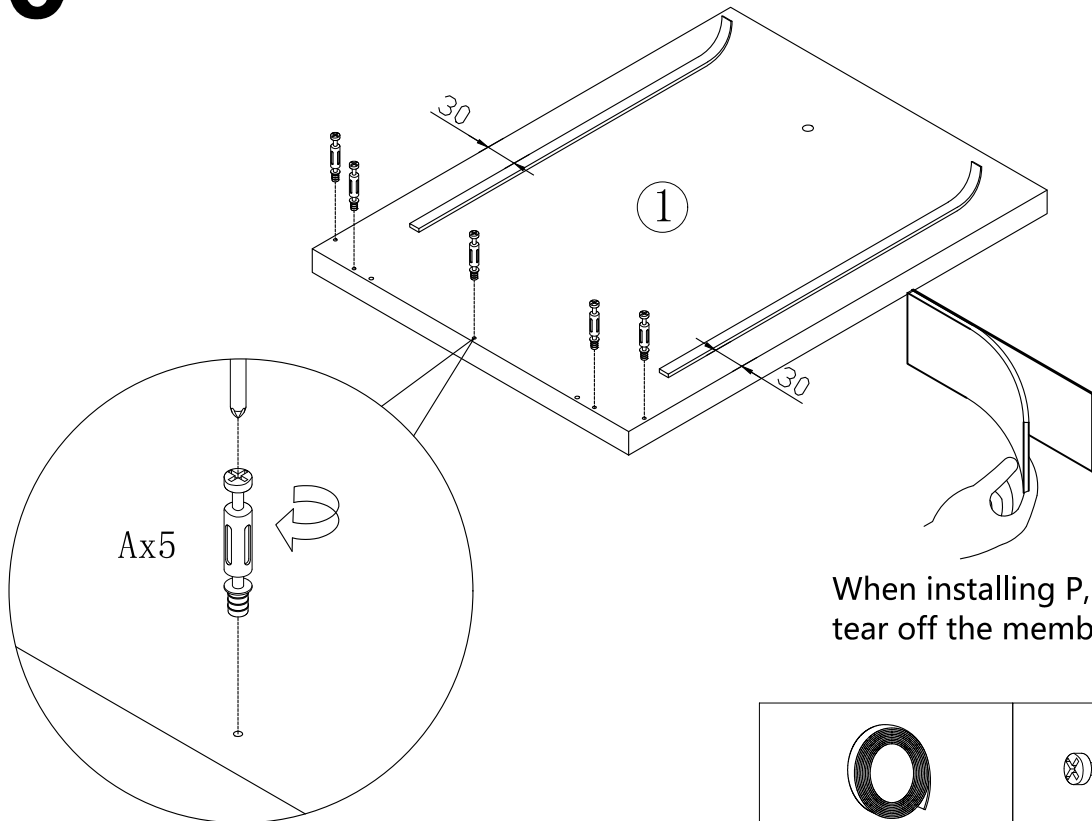


Double installation



Lx12

# 20



When installing P, please tear off the membrane first



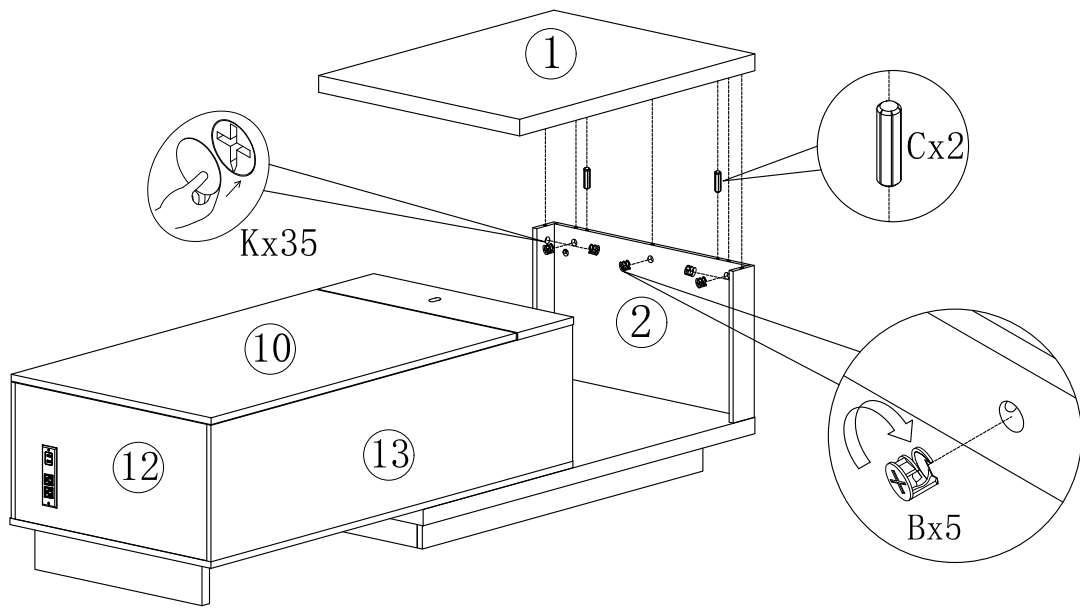
Px2



Ax5

If you encounter any problems during installation, Please contact our customer service.

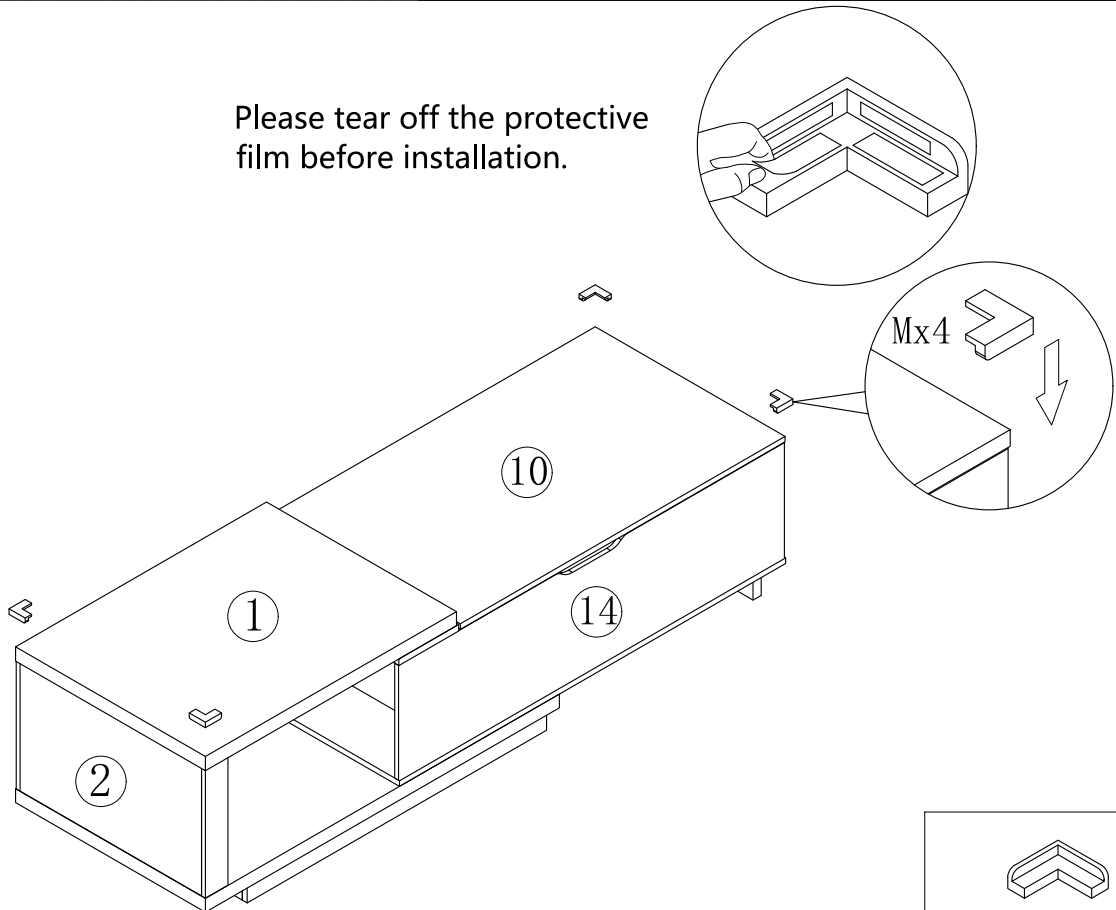
# 21



|     |     |      |
|-----|-----|------|
|     |     |      |
| Bx5 | Cx2 | Kx35 |

# 22

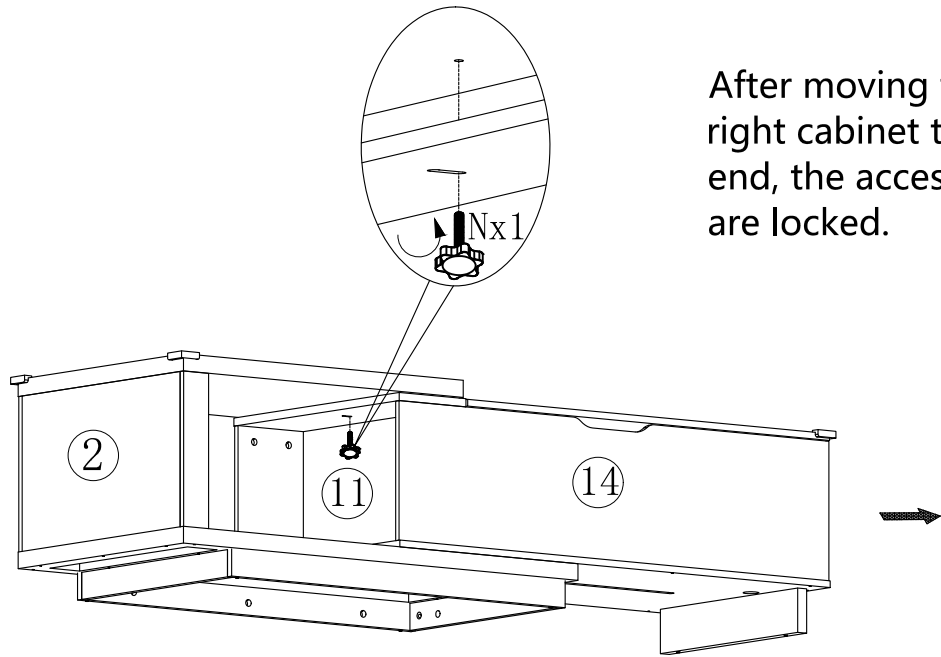
Please tear off the protective film before installation.



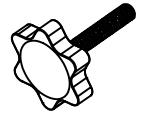
|     |
|-----|
|     |
| Mx4 |

If you encounter any problems during installation, Please contact our customer service.

# 23

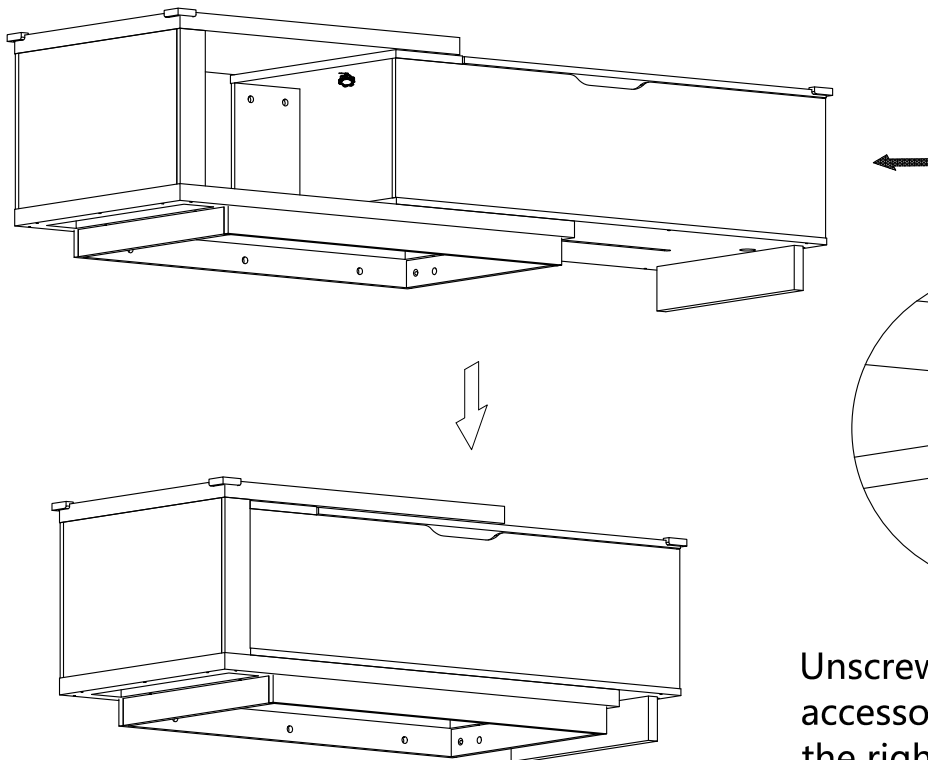


After moving the right cabinet to the end, the accessories are locked.



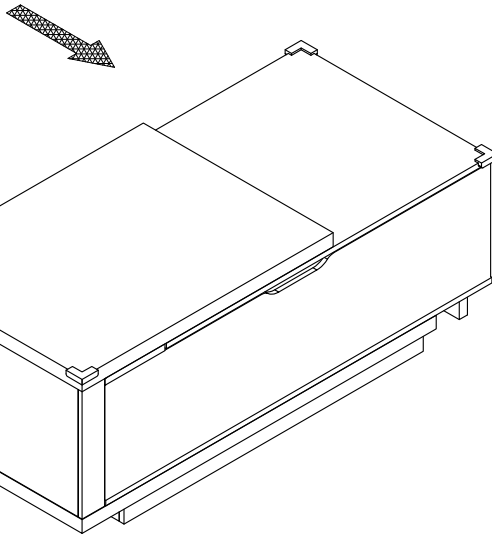
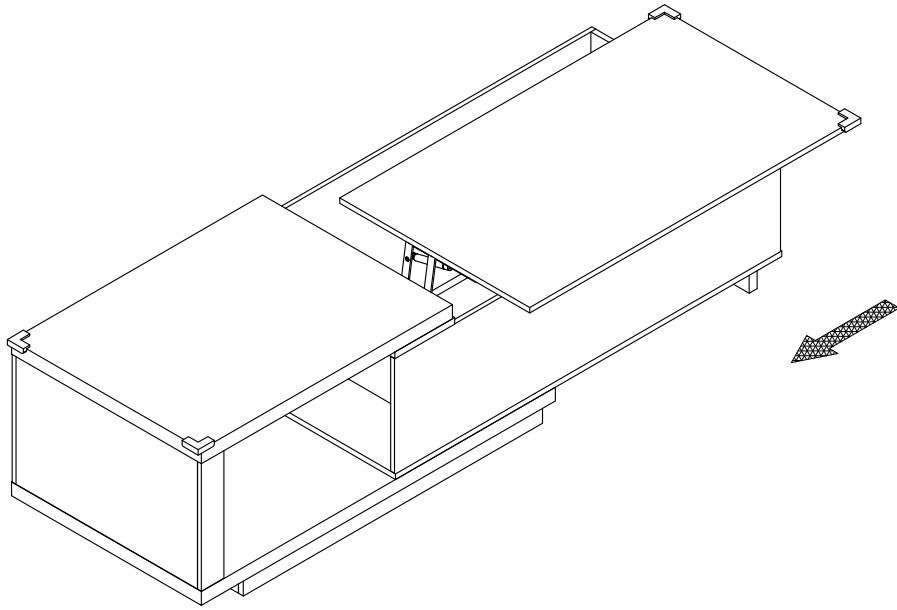
Nx1

# 24



Unscrew the accessories and move the right cabinet.

# 25



Stretching length 52cm

If you encounter any problems during installation, Please contact our customer service.