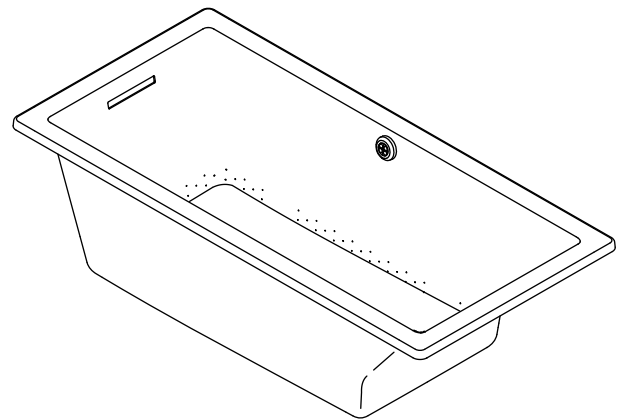


Features

- Acrylic
- Bask™ heated lumbar support with three temperature settings
- Slotted overflow for maximum bathing depth
- 122 BubbleMassage™ airjets
- Blower motor with 300 W heater and electronic user control
- Zones of Control™ concentrates massage at back, midsection, or feet
- Molded lumbar support for comfort
- Available with chromatherapy [-GCW]
- Drop-in installation or under-mountable
- Reversible drain
- 66" (1676 mm) x 32" (813 mm) x 22" (559 mm)

5.5' BUBBLEMASSAGE™ BATH WITH BASK™ K-1822-GW ALSO K-1822-GCW



Codes/Standards Applicable

Specified model meets or exceeds the following:

- ASME A112.19.7/CSA B45.10
- ASTM E162
- ASTM E662
- UL 1795
- CSA B45.5/IAPMO Z124

Colors/Finishes

- 0: White
- CP: Polished Chrome
- PB: Vibrant® Polished Brass
- NA: None applicable
- Other: Refer to Price Book for additional colors/finishes

Specified Model

Model	Description	Colors/Finishes	
K-1822-GW	5.5' BubbleMassage bath with Bask – without chromatherapy (shown)	<input type="checkbox"/> 0	<input type="checkbox"/> Other _____
K-1822-GCW	5.5' BubbleMassage bath with Bask – with chromatherapy	<input type="checkbox"/> 0	<input type="checkbox"/> Other _____

Required Accessories				
K-7271	Clearflo slotted overflow brass bath drain OR	<input type="checkbox"/> CP	<input type="checkbox"/> PB	<input type="checkbox"/> Other _____
K-7272	Clearflo slotted overflow bath drain – PVC pipe	<input type="checkbox"/> CP	<input type="checkbox"/> PB	<input type="checkbox"/> Other _____
Optional Accessories				
K-550	Under-mount kit			<input type="checkbox"/> NA
K-1491	Pillow	<input type="checkbox"/> 0		<input type="checkbox"/> Other _____
K-1601	Footstop (cont.)	<input type="checkbox"/> 0		<input type="checkbox"/> Other _____

Product Specification

The acrylic BubbleMassage bath shall be 66" (1676 mm) in length, 32" (813 mm) in width, and 22" (559 mm) in height. Bath shall feature Bask heated lumbar support with three temperature settings. Bath shall be for drop-in installation or under-mountable. Bath shall have a blower motor with 300 W heater, and electronic user control. Bath shall have 122 BubbleMassage airjets, and reversible drain. Bath shall have slotted overflow for maximum bathing depth, and molded lumbar support for comfort. Bath shall be with Zones of Control feature, which concentrates massage at back, midsection, or feet. Bath shall be available with chromatherapy [-GCW]. Bath shall be Kohler Model K-1822-_____-_____.

UNDERScore®

(cont.) Optional Accessories

K-1703	Remote control			<input type="checkbox"/> NA
K-9498	3" (76 mm) whirlpool keypad trim	<input type="checkbox"/> CP	<input type="checkbox"/> PB	<input type="checkbox"/> Other_____
K-1013469	Trim ring, interface, core	<input type="checkbox"/> CP	<input type="checkbox"/> PB	<input type="checkbox"/> Other_____

Technical Information

Fixture*:	
Bathing well:	
Basin area, bottom	44-1/2" (1130 mm) x 22-5/16" (567 mm)
Basin area, top	59-5/8" (1514 mm) x 25-1/2" (648 mm)
Weight	117 lbs (53.1 kg)
To overflow:	
Water depth	18" (457 mm)
Capacity	85.8 gal (325 L)
* Approximate measurements for comparison only.	

	V	Hz	A
Blower motor/Heated surface	220-240	50/60	5

Drop-in cutout	64-1/2" (1638 mm) x 30-1/2" (775 mm)
----------------	--------------------------------------

Required Electrical Service

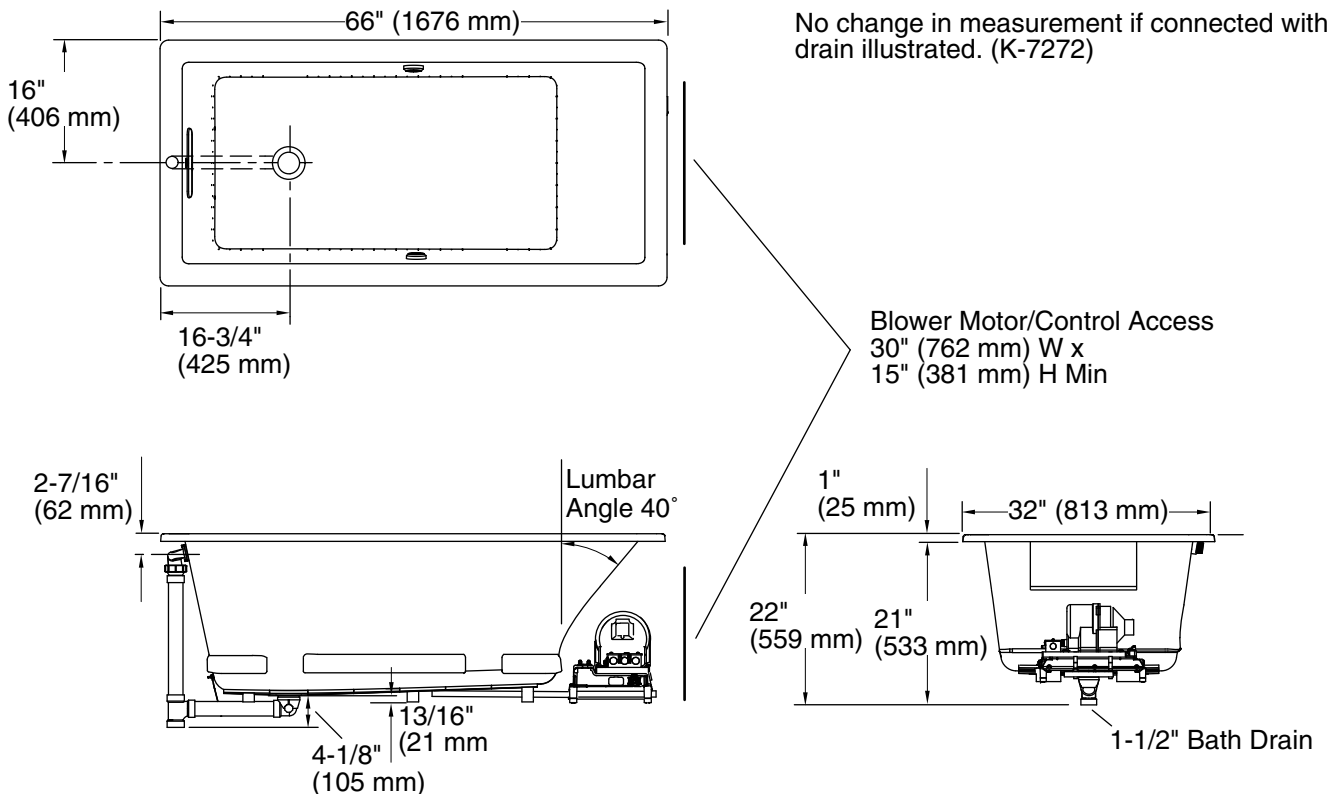
Dedicated circuit required, protected with Class A Ground-Fault Circuit-Interrupter (GFCI) or Residual Current Device (RCD):	
Blower motor/Heated surface	220-240 V, 15 A, 50/60 Hz

Installation Notes

Install this product according to the installation guide.

Floor support under bath must provide for a minimum of 50 lbs/square foot (242 kg/square meter) loading.

Hot water supply should be 70% of capacity or greater. Installations will vary.



Product Diagram