



Safety And Care Advice

Important – Please read these instructions fully before starting assembly.

Please check if all the components and tools listed on pages 3 – 4 are received.

Please remove all fittings from the plastic bags and separate them into homologous groups.

Please keep children and animals away from the working areas; swallow small parts may cause suffocation.

Please make sure you have enough space to lay out the parts before starting.

Do not stand on the product, which could cause damage.

Please assemble the product as close to its final position as possible.

Do not place furniture directly in front of radiators, fires, or any other source of heat.

The assembly will be easier with 2 people.

Please dispose of all packaging carefully and responsibly.



General care and maintenance.

Please clean with a damp cloth or mild detergent, do not use bleach or abrasive cleaners.

Do not allow the spill to stay on the surface for a long time.

Do not clean with products containing the following: acetone (e.g., nail varnish remover), ammonia (e.g.bleach), or sodium hydroxide(e.g., caustic soda, drain, and oven cleaners).

If the product is accidentally exposed to the irritating liquid, rinse thoroughly with clean water

Mats can be used to protect surfaces from moisture and heat.

Please check whether there are missing screws in the product regularly

The product should not be discarded with household waste, and please take it to your local authority waste disposal center

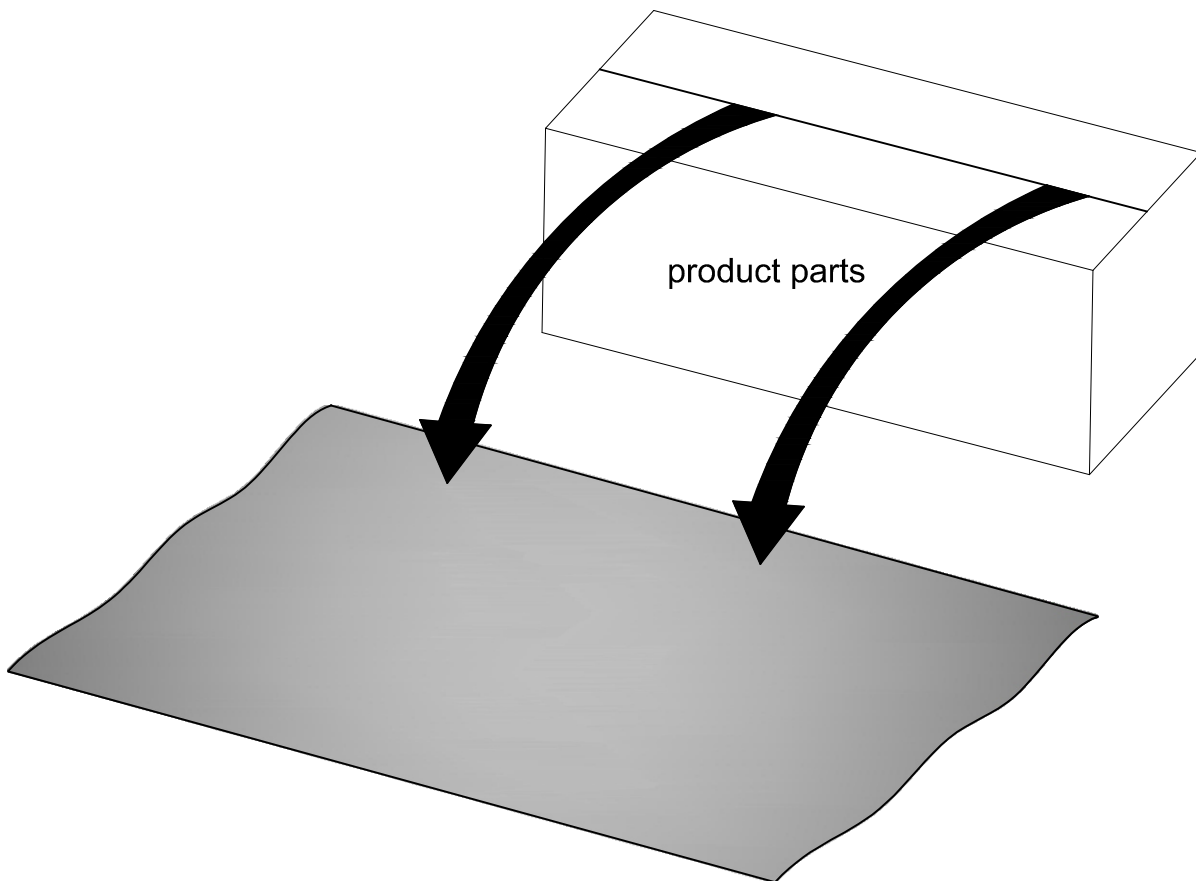


Safety And Care Advice

Important – Please read these instructions fully before starting assembly.



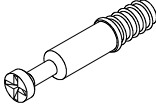

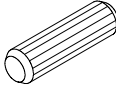
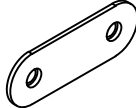
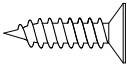
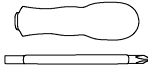
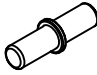
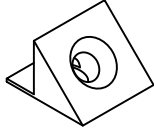
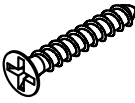
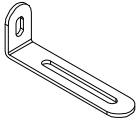


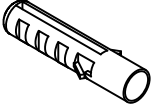
We strongly recommend two people to install it.



Lay a piece of clean paper or carpet on the floor, then put the product parts on it to prevent scratching.

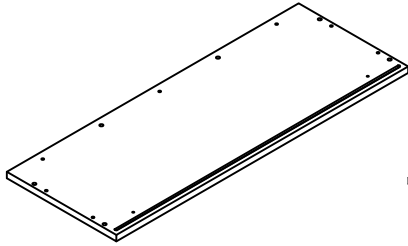
Components

Please check if all the pieces listed below are received.

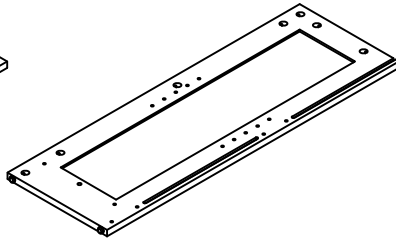
<p>(A)*38 pcs</p>  <p>Two-in-one Screws</p>	<p>(B)*38 pcs</p>  <p>Two-in-one Cam (Diameter 15mm)</p>	<p>(C)*20 pcs</p>  <p>8*30mm</p>	<p>(D)*2 pcs</p>  <p>Connecting Iron</p>
<p>(E)*4 pcs</p>  <p>M3*12mm</p>	<p>(F)*1 pcs</p>  <p>Dual-function screwdriver</p>	<p>(G)*4 pcs</p>  <p>Ø5*19mm</p>	<p>(H)*8 pcs</p>  <p>Back Plate Buckle</p>
<p>(I)*8 pcs</p>  <p>M3*17mm</p>	<p>(J)*2 set</p> 	<p>(K)*2 pcs</p>  <p>M5*14mm</p>	<p>(L)*2 pcs</p>  <p>M4*35mm</p>
<p>(M)*2 pcs</p>  <p>#8*38mm</p>			

Components

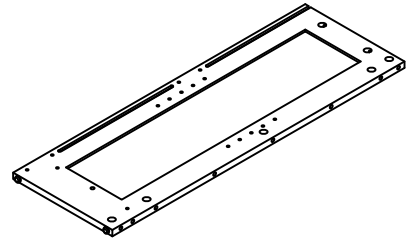
Please check if all the pieces listed below are received.



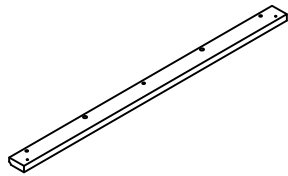
① x1



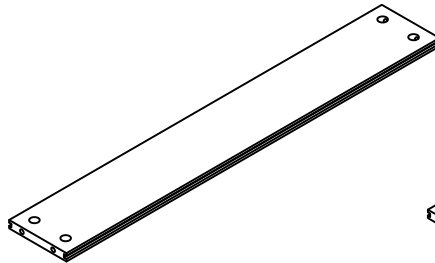
② x1



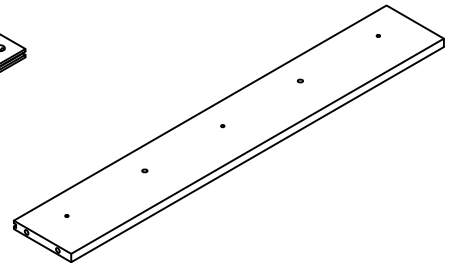
③ x1



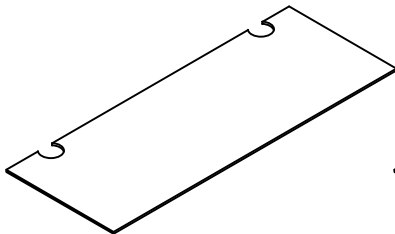
④ x2



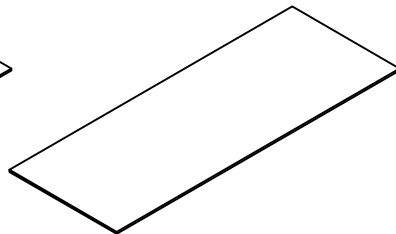
⑤ x1



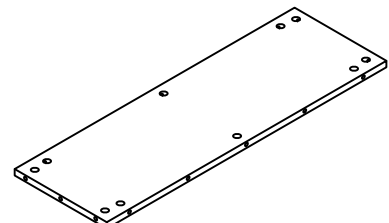
⑥ x1



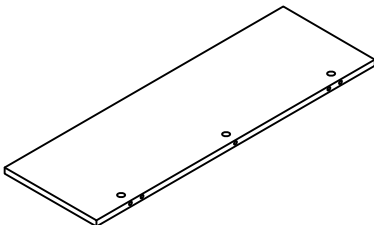
⑦ x1



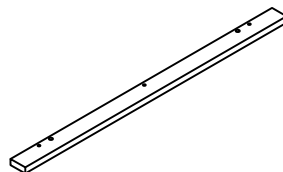
⑧ x1



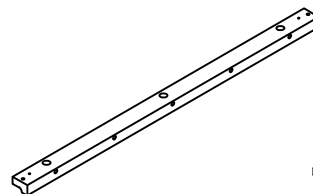
⑨ x1



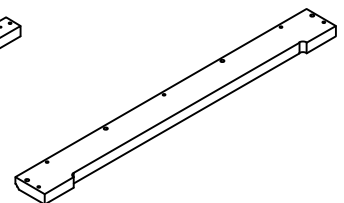
⑩ x1



⑪ x1



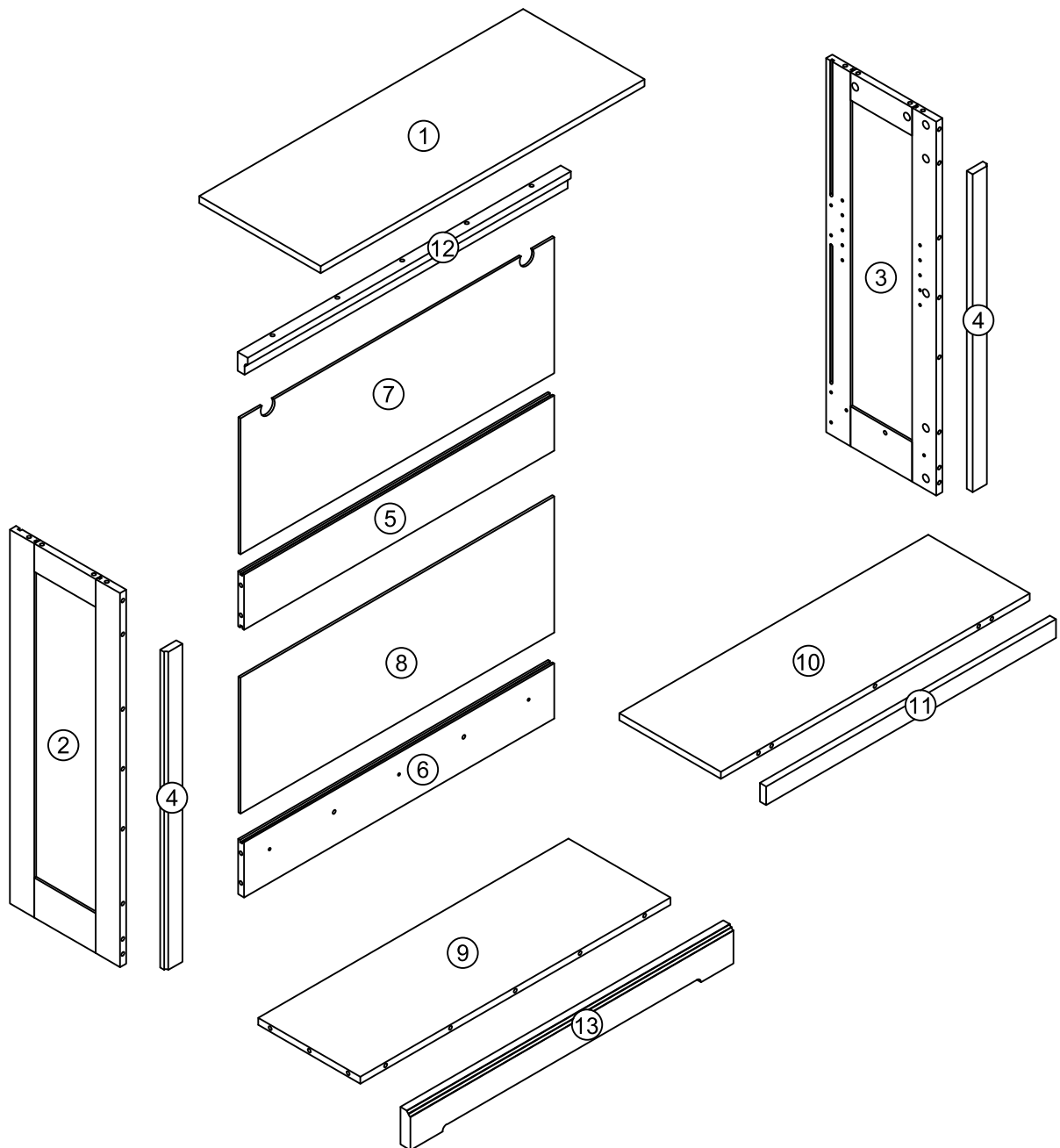
⑫ x1



⑬ x1

Components

Please check if all the pieces listed below are received.

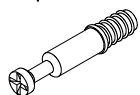


Assembly Instructions

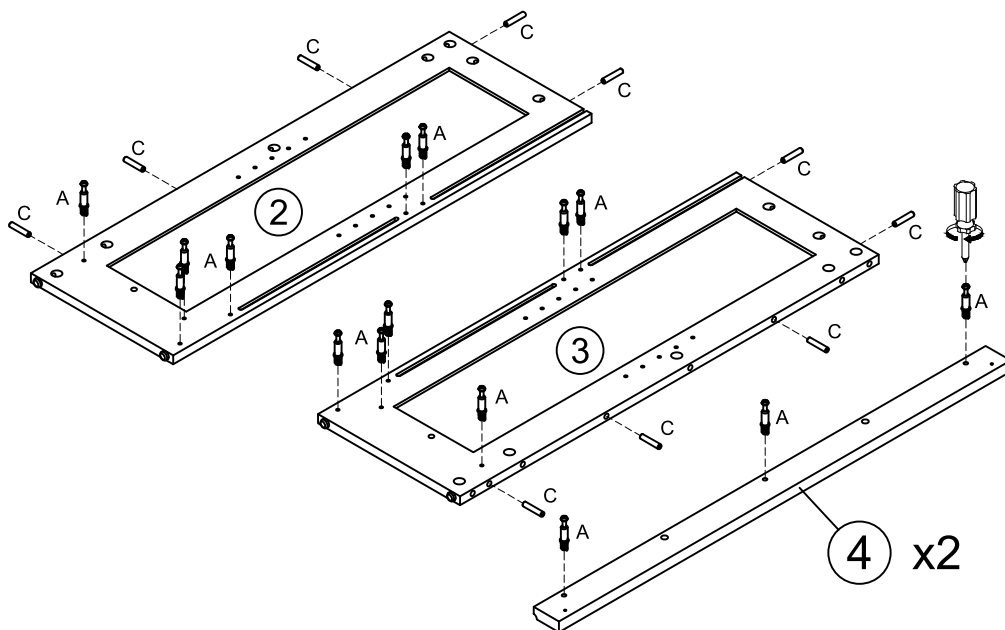
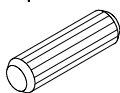
Please use the screws correctly, otherwise the product will be seriously damaged!

Step 1

A x 18pcs

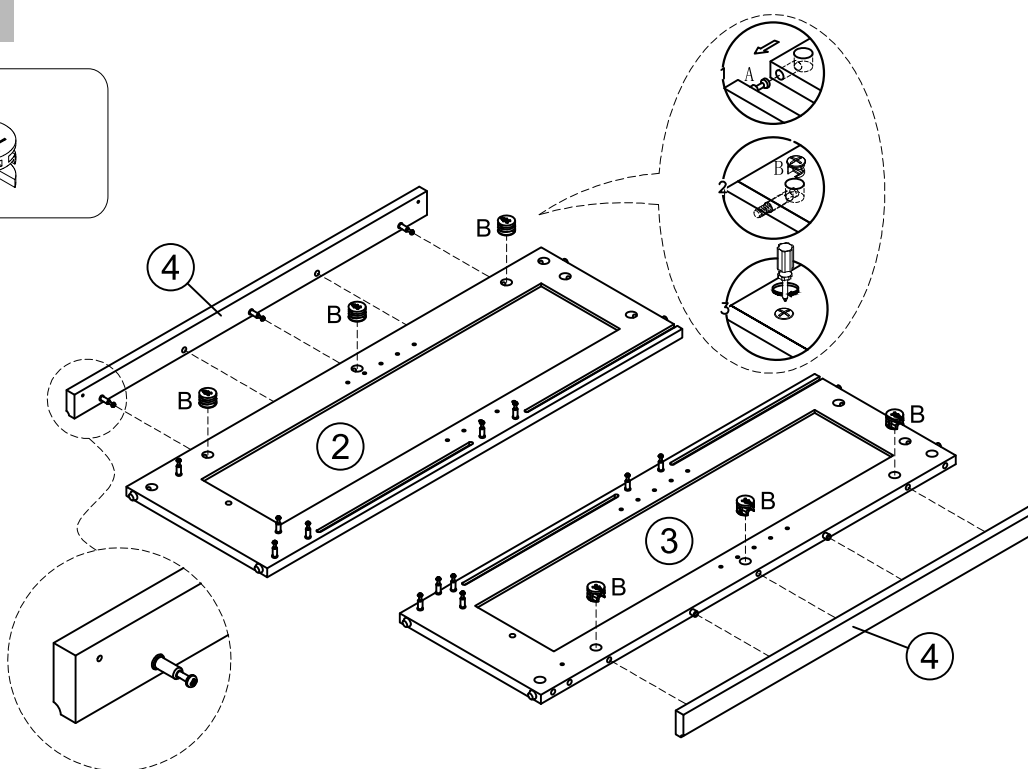


C x 10pcs



Step 2

B x 6pcs

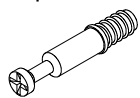


Assembly Instructions

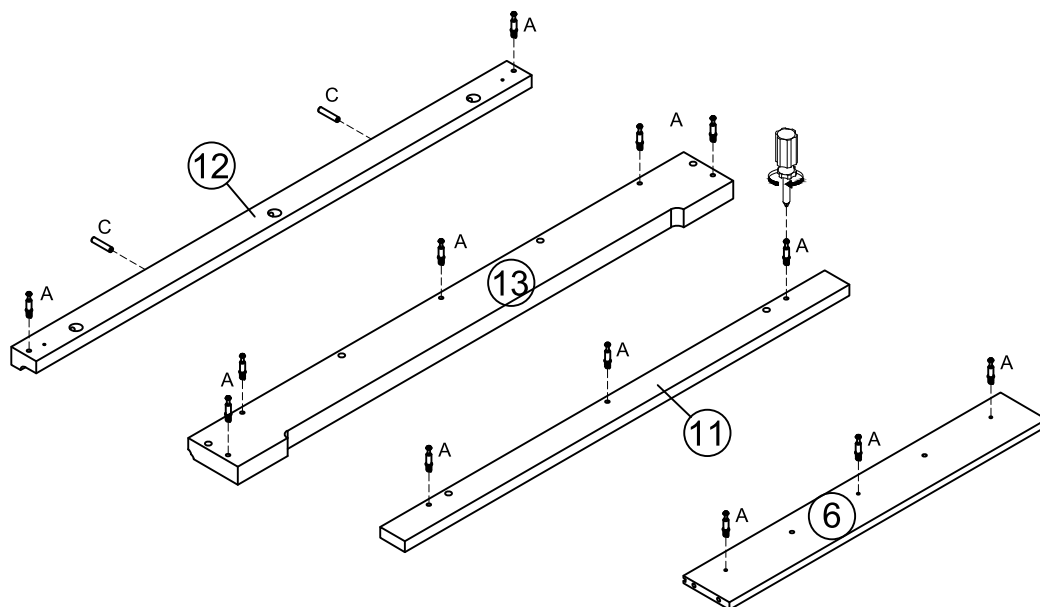
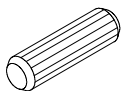
Please use the screws correctly, otherwise the product will be seriously damaged!

Step 3

A x 13pcs



C x 2pcs

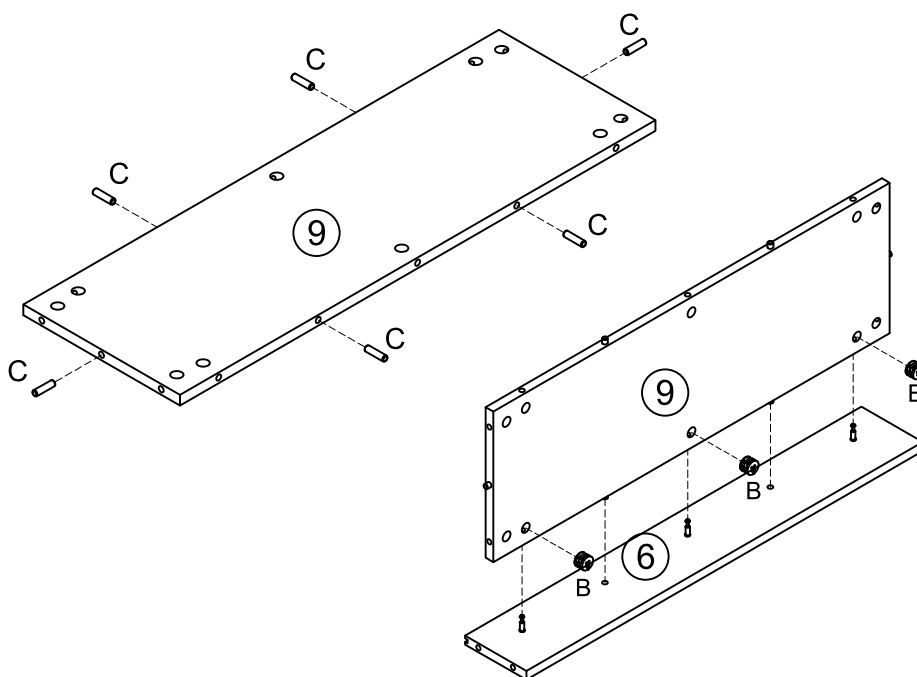
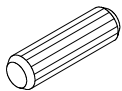


Step 4

B x 3pcs



C x 6pcs

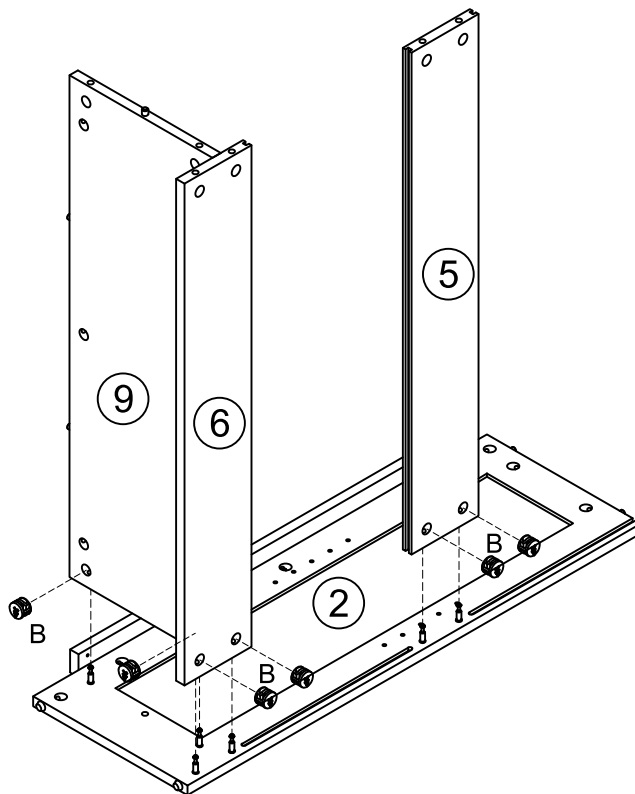


Assembly Instructions

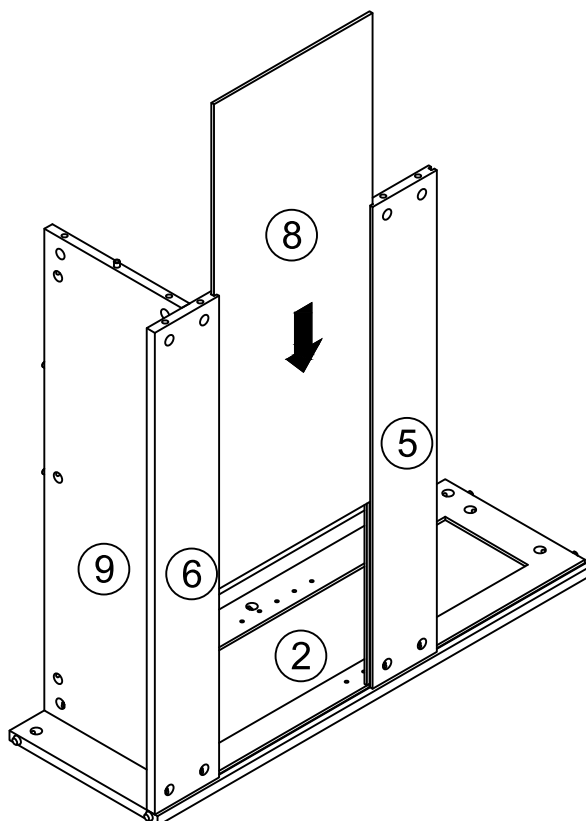
Please use the screws correctly, otherwise the product will be seriously damaged!

Step 5

B x 6pcs



Step 6

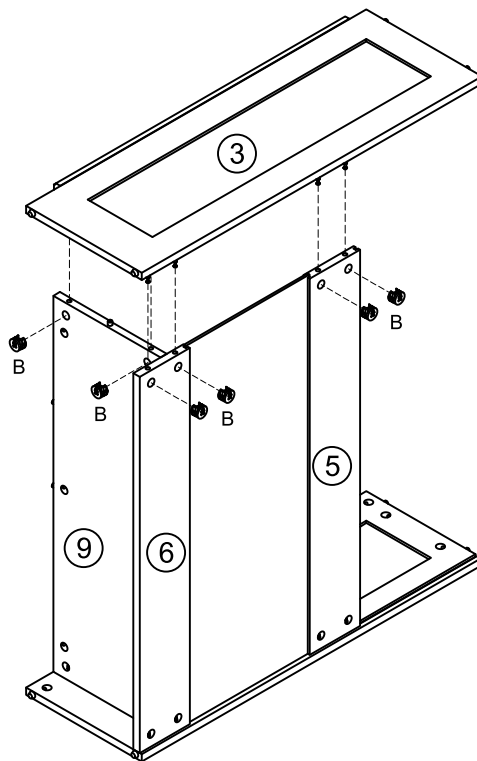


Assembly Instructions

Please use the screws correctly, otherwise the product will be seriously damaged!

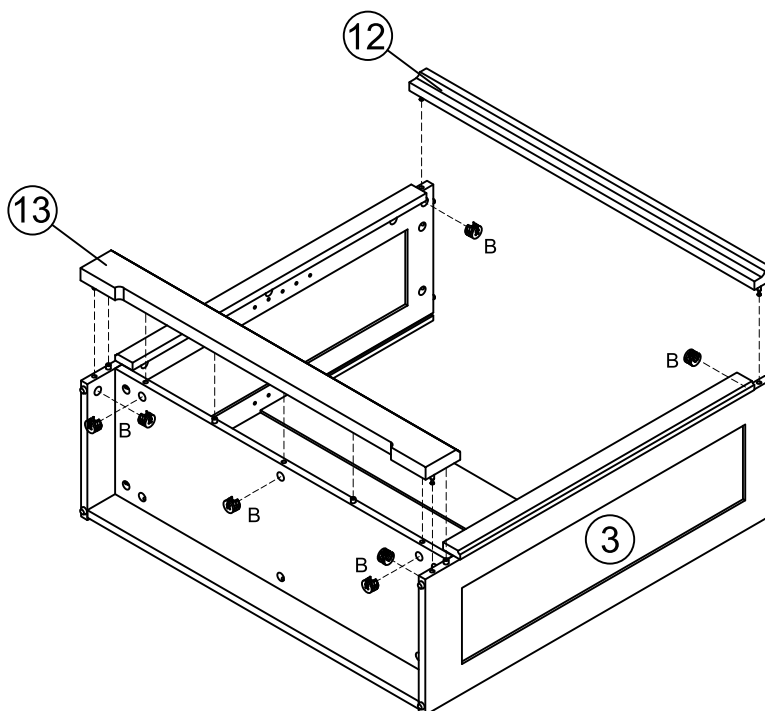
Step 7

B x 6pcs



Step 8

B x 7pcs

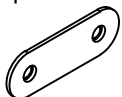


Assembly Instructions

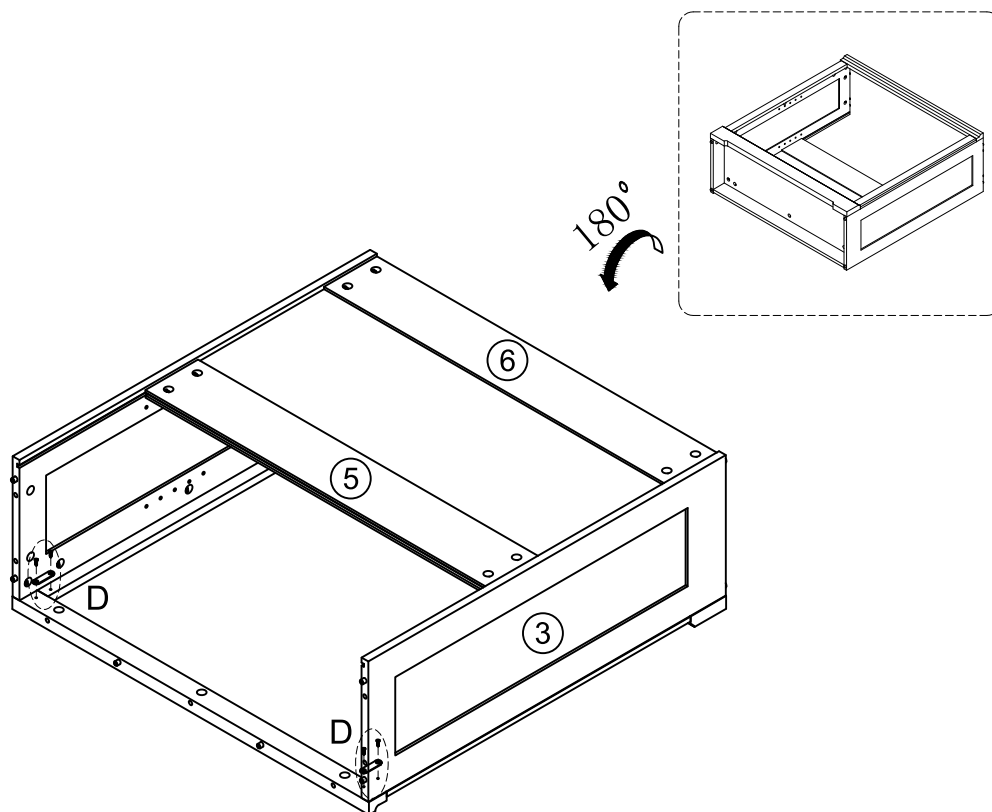
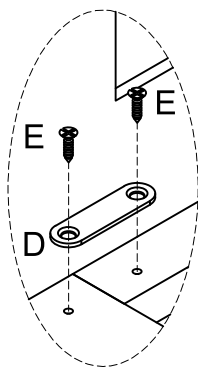
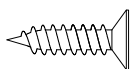
Please use the screws correctly, otherwise the product will be seriously damaged!

Step 9

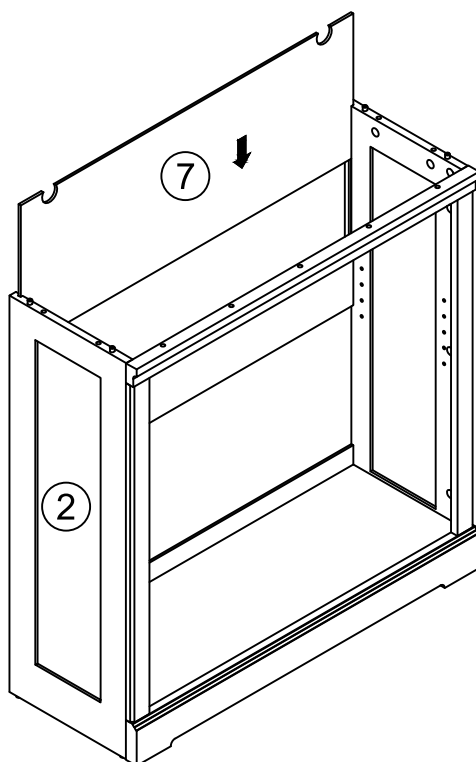
D x 2pcs



E x 4pcs



Step 10

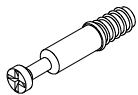


Assembly Instructions

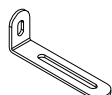
Please use the screws correctly, otherwise the product will be seriously damaged!

Step 11

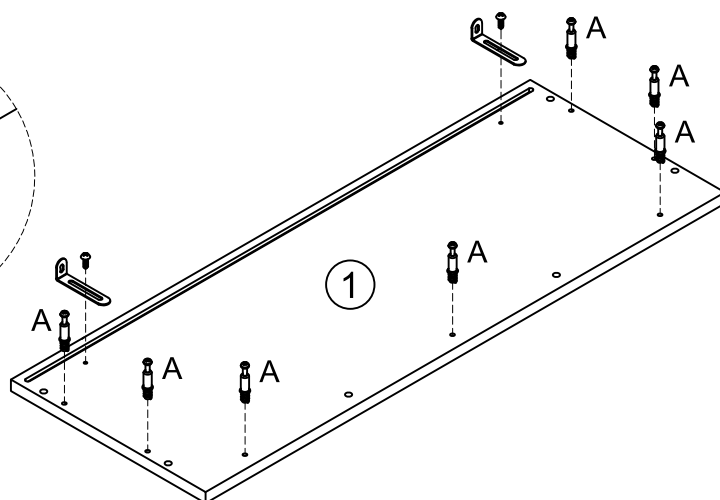
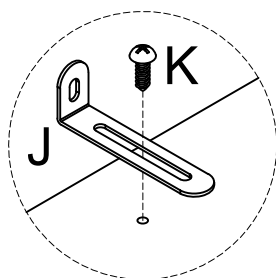
A x 7pcs



J x 2pcs

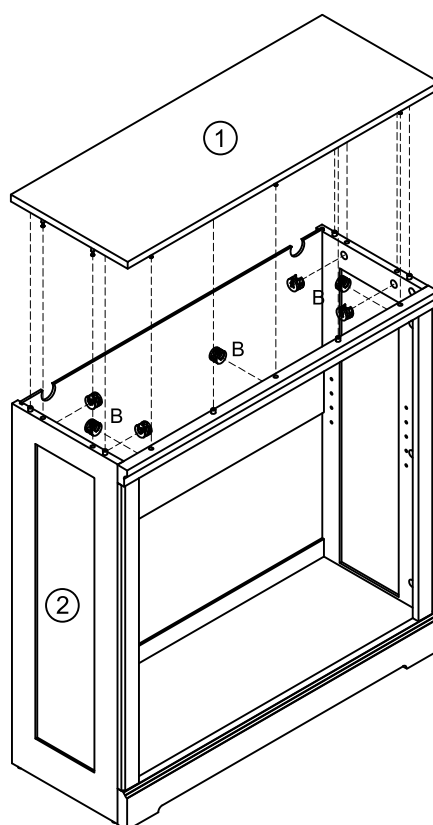


K x 2pcs



Step 12

B x 7pcs

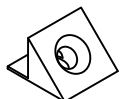


Assembly Instructions

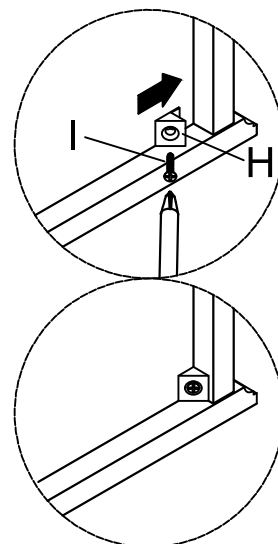
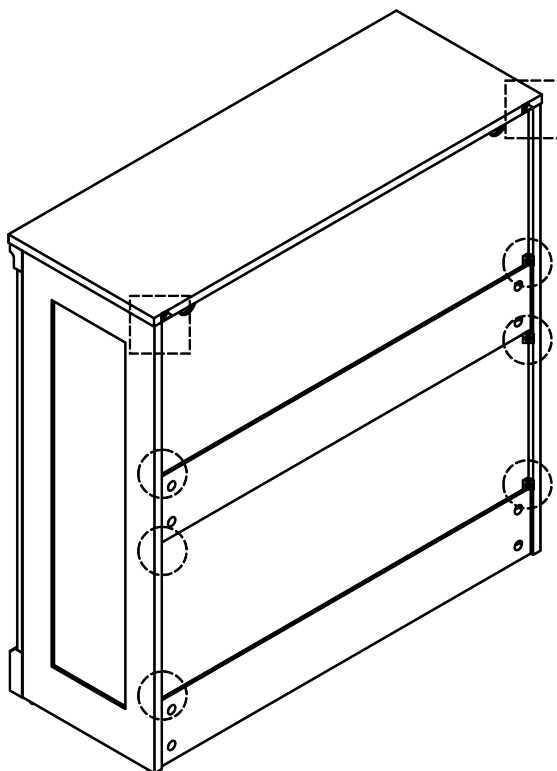
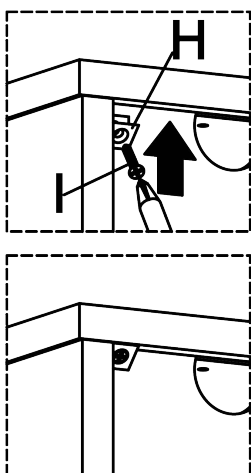
Please use the screws correctly, otherwise the product will be seriously damaged!

Step 13

H x 8pcs

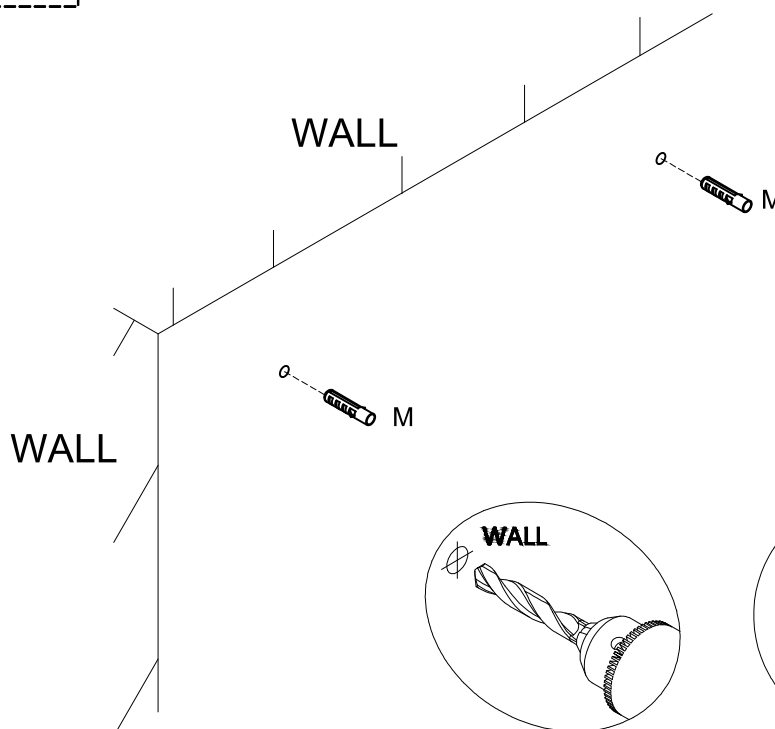
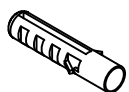


I x 8pcs



Step 14

M x 2pcs

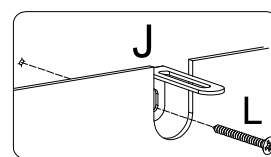
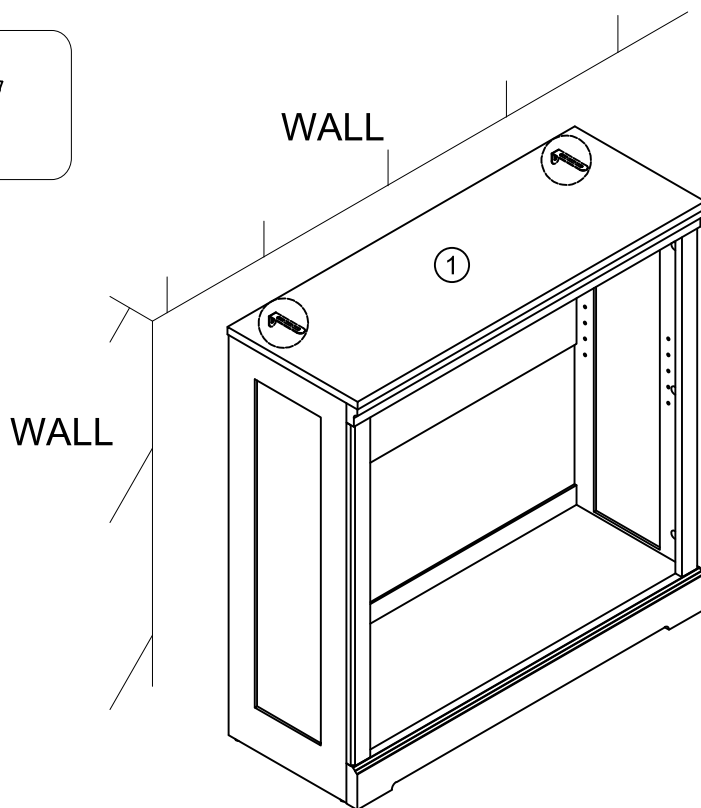


Assembly Instructions

Please use the screws correctly, otherwise the product will be seriously damaged!

Step 15

L x 2pcs

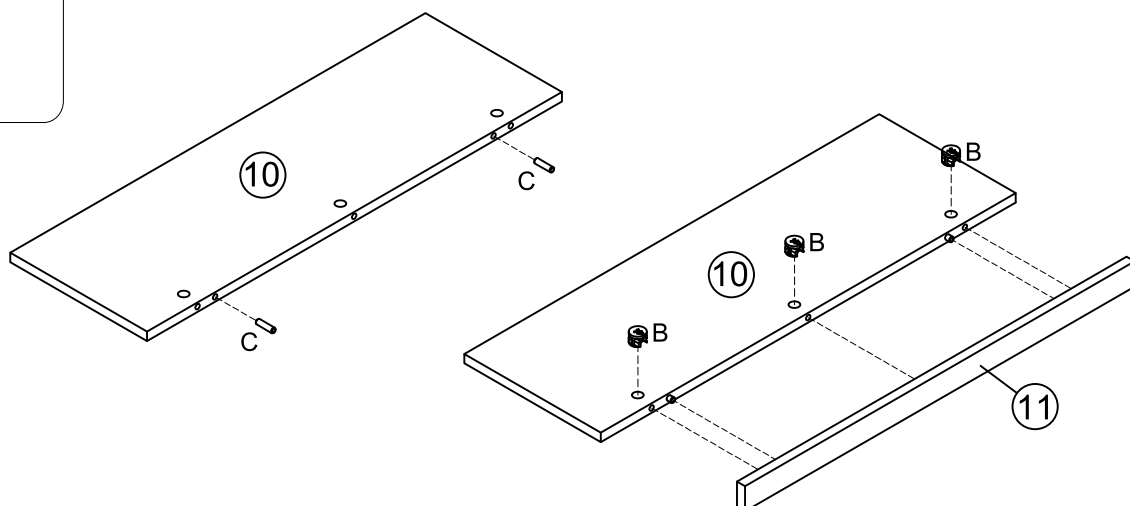
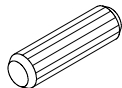


Step 16

B x 3pcs



C x 2pcs

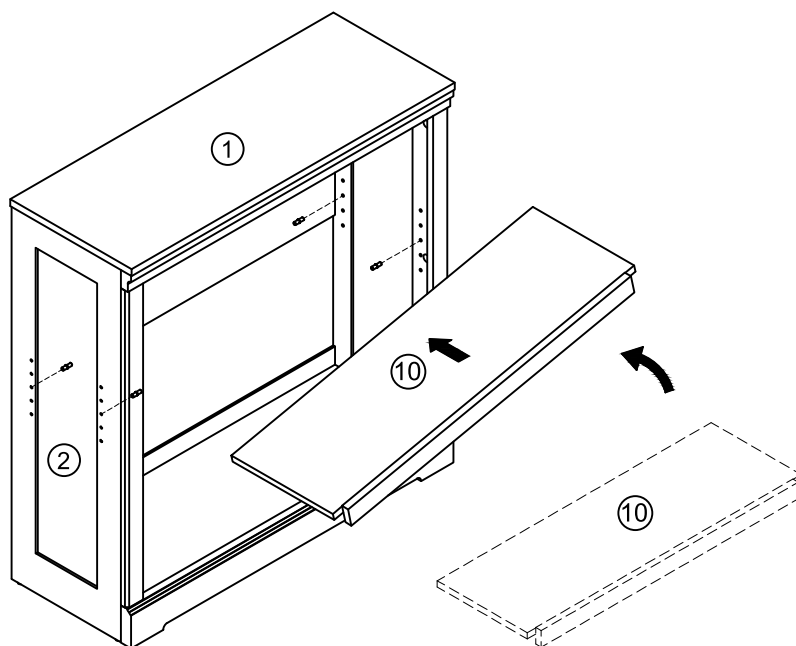
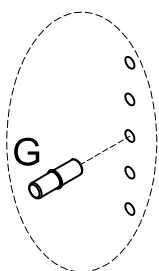
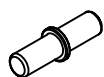


Assembly Instructions

Please use the screws correctly, otherwise the product will be seriously damaged!

Step 17

G x 4pcs



Step 18

