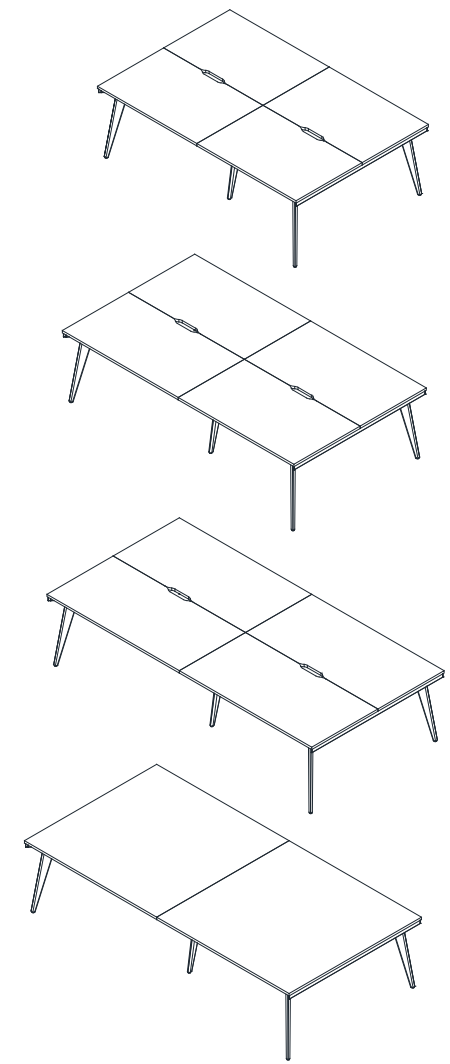
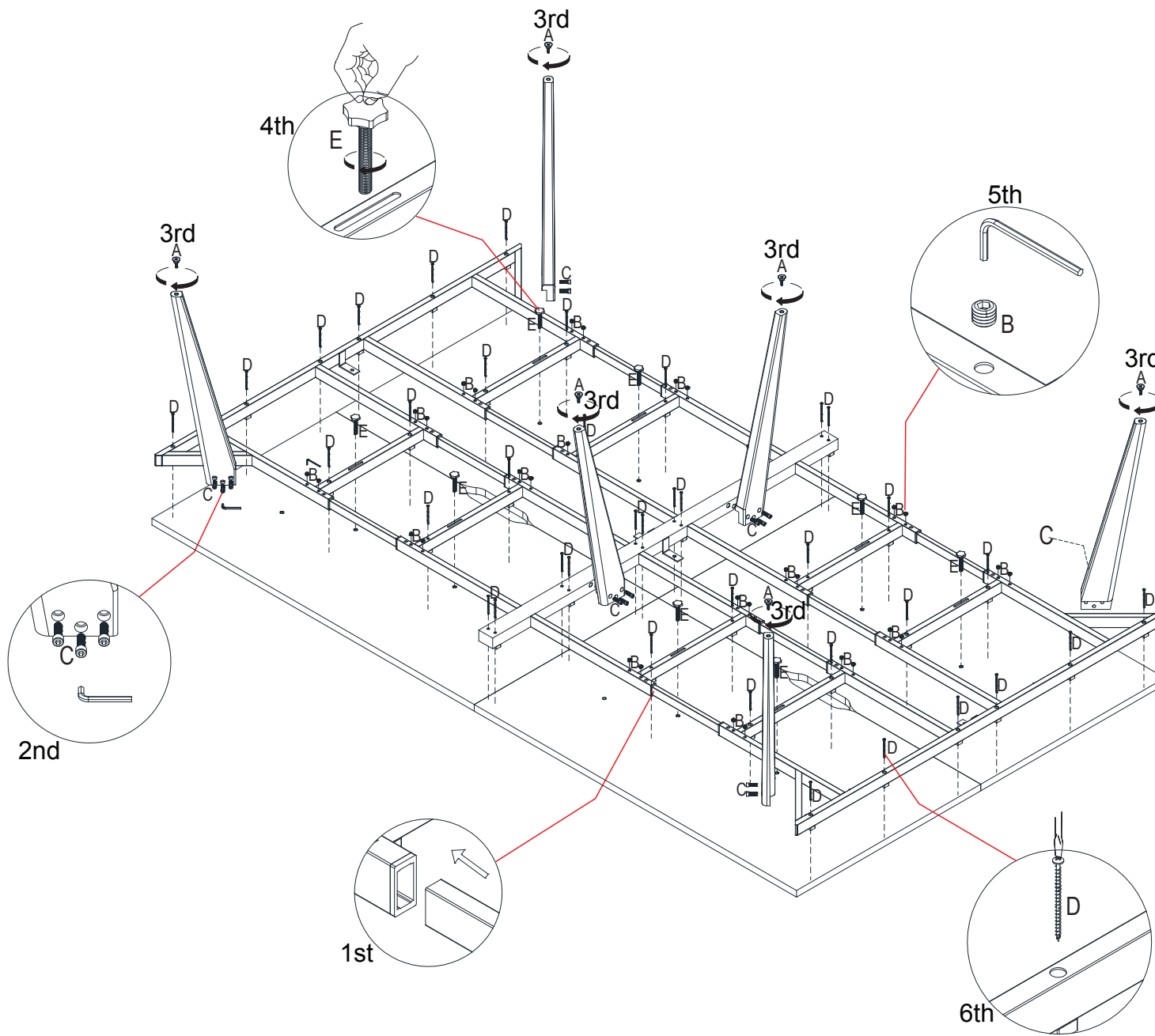




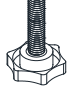

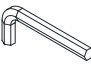


BACK TO BACK EXTENSION WHITE

Assembly instruction



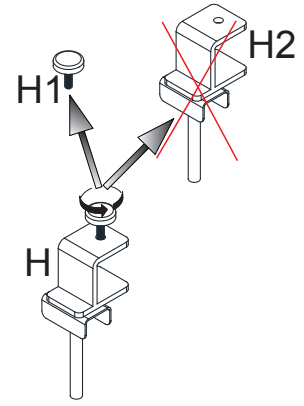
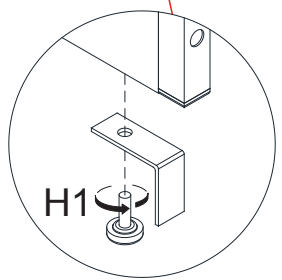
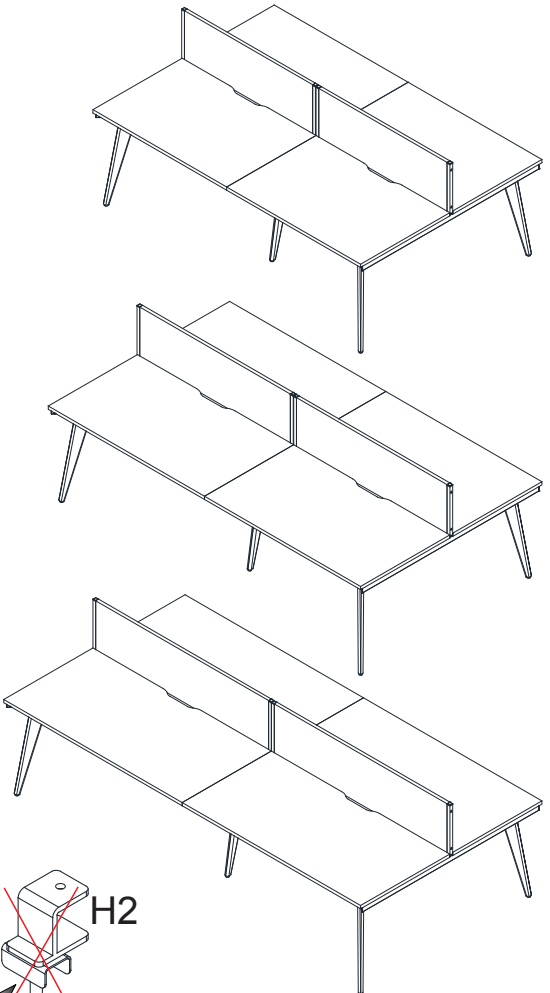
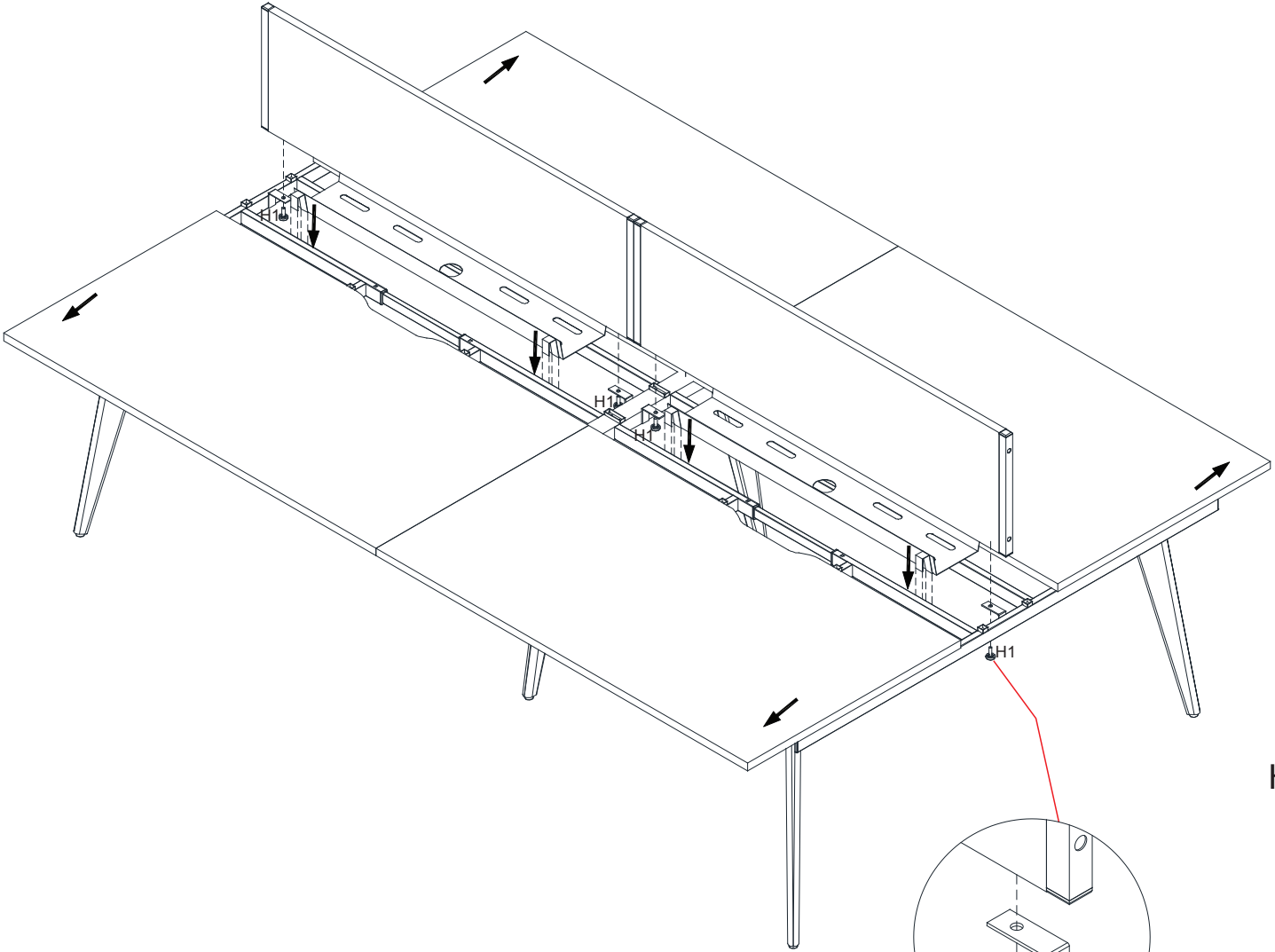
 screwdriver not supplied

- 
Ax6
- 
Bx32
- 
Cx18
- 
Dx40
- 
Ex8
- 
Fx1
- 
Gx1

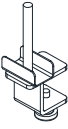
BACK TO BACK DESK FRAME WHITE

Assembly instruction

The wire groove should be jammed in before assembling the panel, then move the tabletop with the adjusting handle, assemble the screen, and finally install the self-tapping screw.



 screwdriver not supplied



Accessories (H2) do not need to be used here

Hx4