









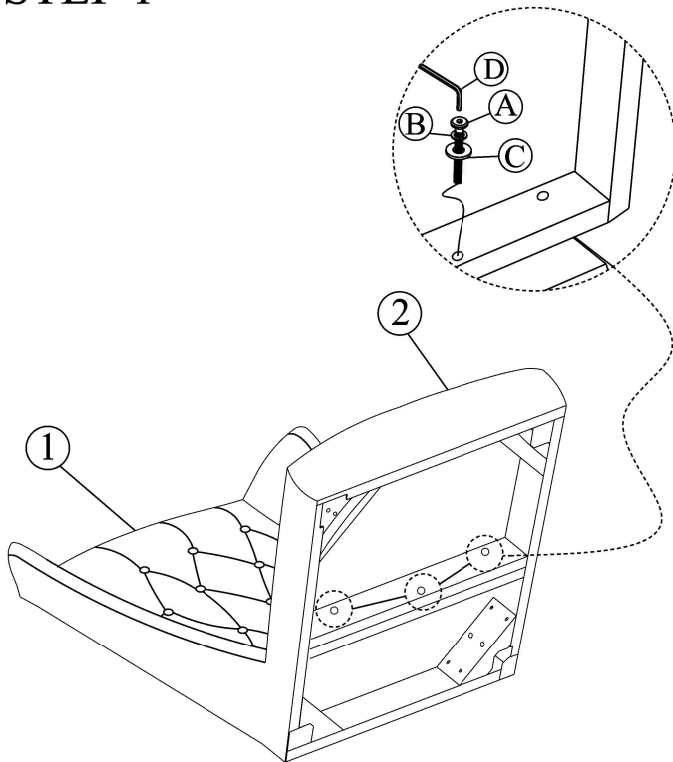
ASSEMBLY INSTRUCTIONS

Description : Side Chair
Item No :D26-SC

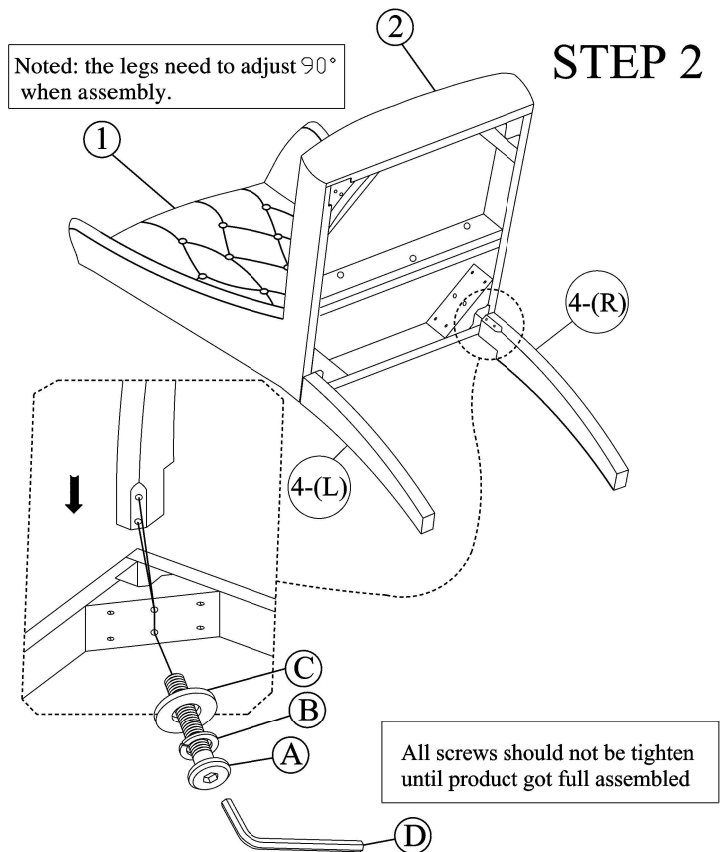
NO	Parts List	Q'TY
1	CHAIR FRAME 	1PC
2	CUSHION SEAT 	1PC
3	FRONT LEG 	2PCS
4	REAR LEG (L&R) 	2PCS

NO	Hardware List	Q'TY
A	BOLT  Ø1/4" * 45 mm	11PCS
B	LOCK WASHER  Ø1/4" * 11* 1.5 mm	11PCS
C	WASHER  Ø1/4" * 22 *2 mm	11 PCS
D	ALLEN KEY  58 * 4mm	1PC

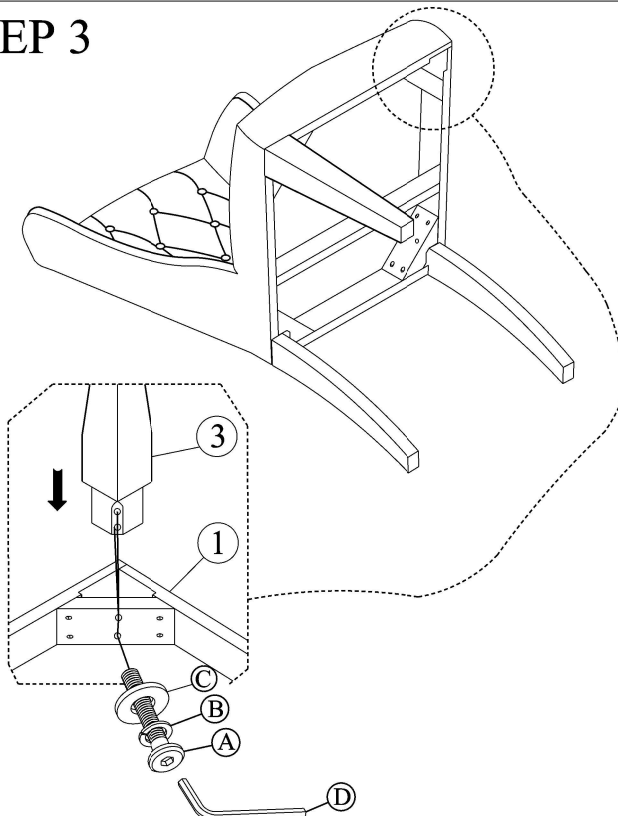
STEP 1



STEP 2



STEP 3



FINISH

